



US00D677151S

(12) **United States Design Patent**  
**Magniet**

(10) **Patent No.:** **US D677,151 S**  
(45) **Date of Patent:** **\*\* Mar. 5, 2013**

(54) **CAPSULE**

(75) Inventor: **Ines Magniet**, Orbe (CH)

(73) Assignee: **Societe des Produits Nestle S.A.**, Vevey (CH)

(\*\*) Term: **14 Years**

(21) Appl. No.: **29/390,783**

(22) Filed: **Apr. 29, 2011**

(51) **LOC (9) Cl.** ..... **09-03**

(52) **U.S. Cl.** ..... **D9/424**

(58) **Field of Classification Search** ..... D9/414,  
D9/418, 419, 424, 425, 429, 430, 432, 433;  
220/654, 657-659, 669, 675, 574, 912, 913;  
99/289 R, 293, 294, 316, 323, 306, 300; 210/323.1,  
210/282, 290, 464; D7/399-401, 213, 601,  
D7/310, 305

See application file for complete search history.

(56) **References Cited**

**U.S. PATENT DOCUMENTS**

4,642,190	A *	2/1987	Zimmerman	.....	210/464
4,765,896	A *	8/1988	Hartley et al.	.....	210/474
D463,277	S *	9/2002	Yang	.....	D9/428
6,742,442	B1 *	6/2004	Su	.....	99/281
6,786,136	B2 *	9/2004	Cirigliano et al.	.....	99/323
D513,152	S *	12/2005	Cahen	.....	D7/400
D539,643	S *	4/2007	Abel	.....	D9/424
7,219,598	B2 *	5/2007	Halliday et al.	.....	99/295
D567,021	S *	4/2008	Bach et al.	.....	D7/400
7,624,673	B2 *	12/2009	Zanetti	.....	99/295
D621,698	S *	8/2010	Cometto	.....	D9/424

\* cited by examiner

*Primary Examiner* — Derrick Holland

*Assistant Examiner* — Lauren Calve

(74) *Attorney, Agent, or Firm* — K&L Gates LLP

(57) **CLAIM**

The ornamental design for a capsule, as shown and described.

**DESCRIPTION**

FIG. 1 illustrates a top front perspective view of the capsule showing my new design;

FIG. 2 illustrates a bottom front perspective view thereof;

FIG. 3 illustrates a left side elevation view thereof;

FIG. 4 illustrates a right side elevation view thereof;

FIG. 5 illustrates a front elevation view thereof;

FIG. 6 illustrates a rear elevation view thereof;

FIG. 7 illustrates a top view thereof;

FIG. 8 illustrates a bottom view thereof;

FIG. 9 illustrates a top front perspective view of the capsule showing my new design in another embodiment;

FIG. 10 illustrates a bottom front perspective view of the capsule of FIG. 9;

FIG. 11 illustrates a left side elevation view of the capsule of FIG. 9;

FIG. 12 illustrates a right side elevation view of the capsule of FIG. 9;

FIG. 13 illustrates a front elevation view of the capsule of FIG. 9;

FIG. 14 illustrates a rear elevation view of the capsule of FIG. 9;

FIG. 15 illustrates a top view of the capsule of FIG. 9; and,

FIG. 16 illustrates a bottom view of the capsule of FIG. 9.

**1 Claim, 16 Drawing Sheets**

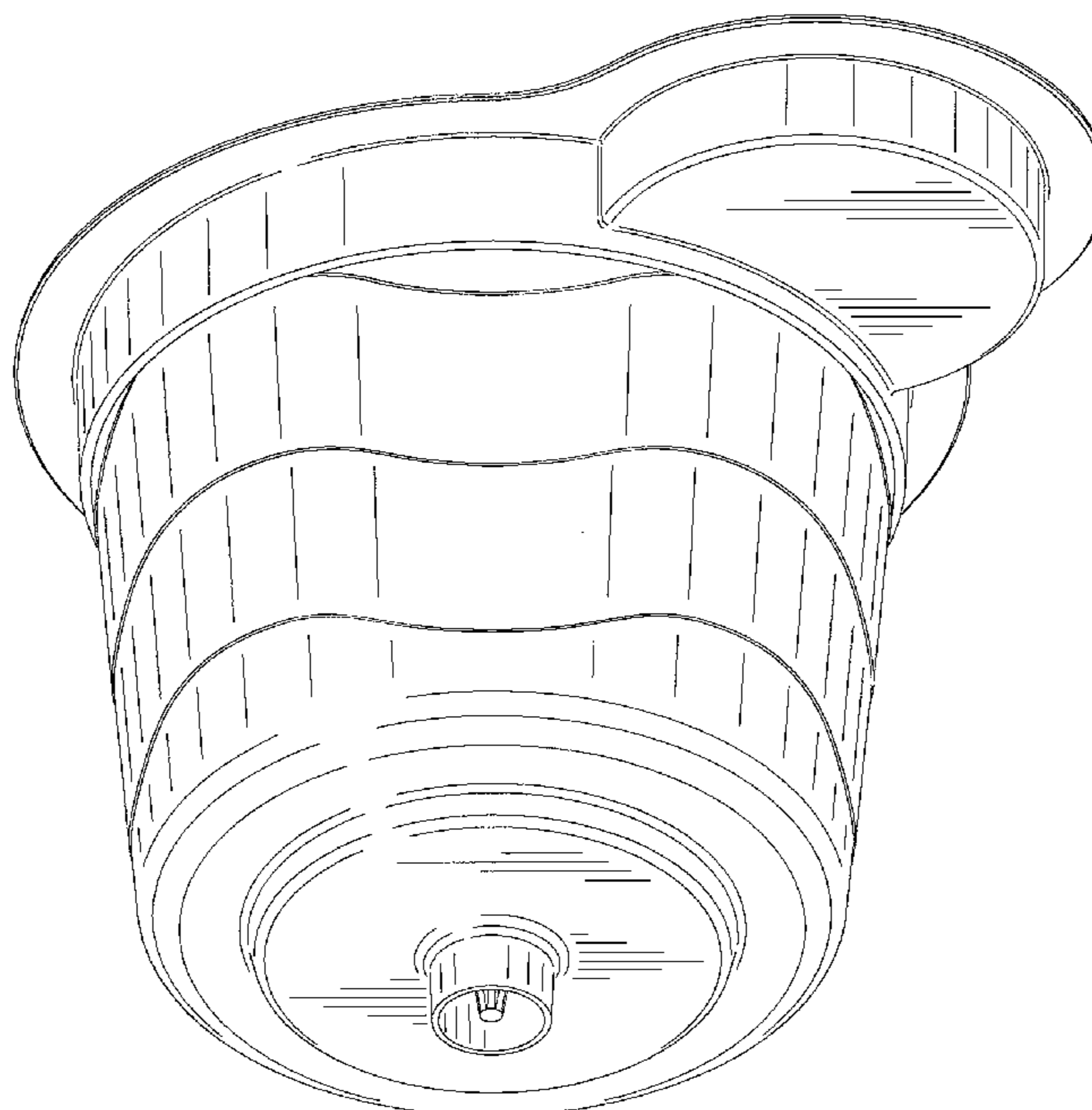


FIG. 1

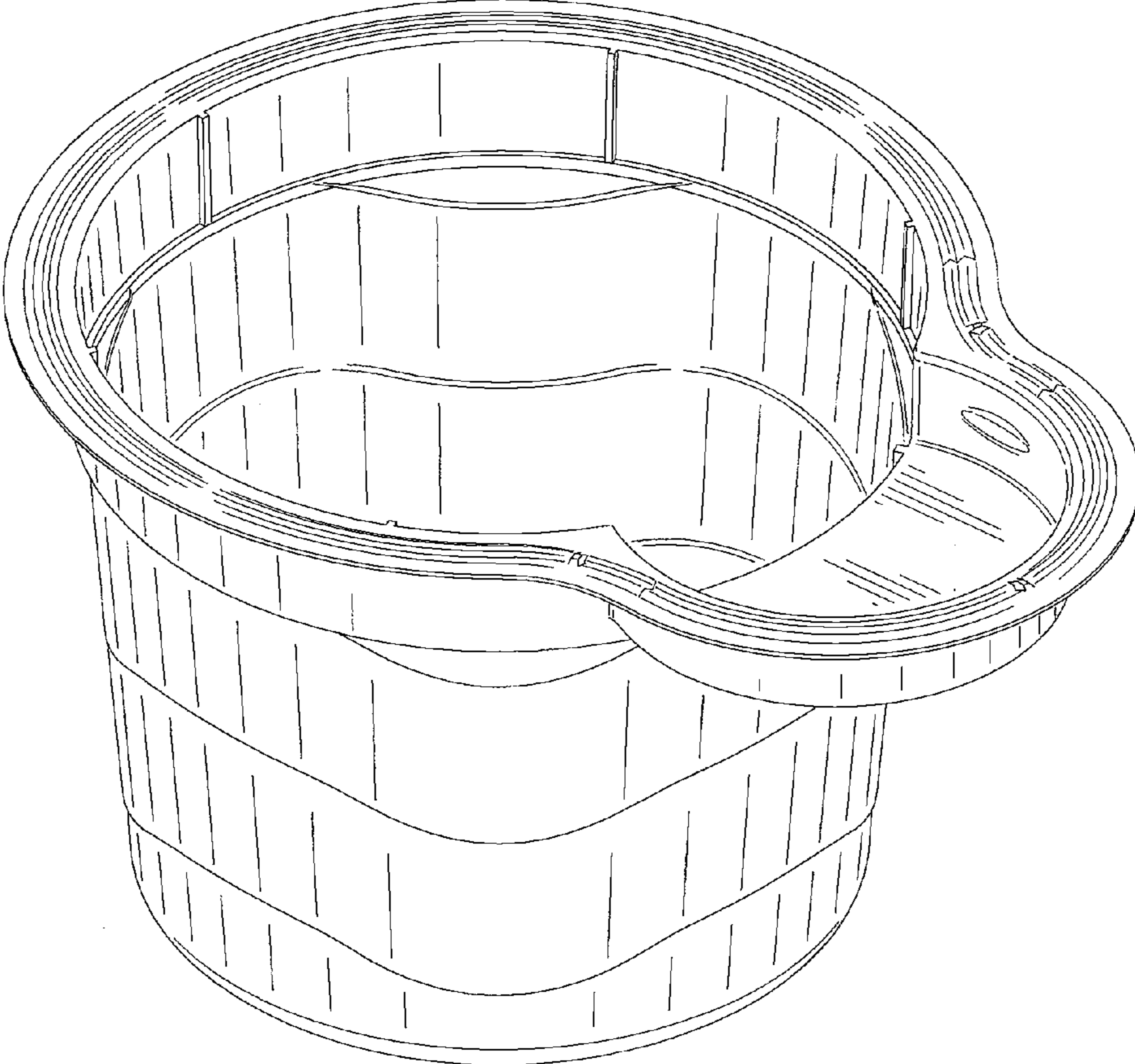


FIG. 2

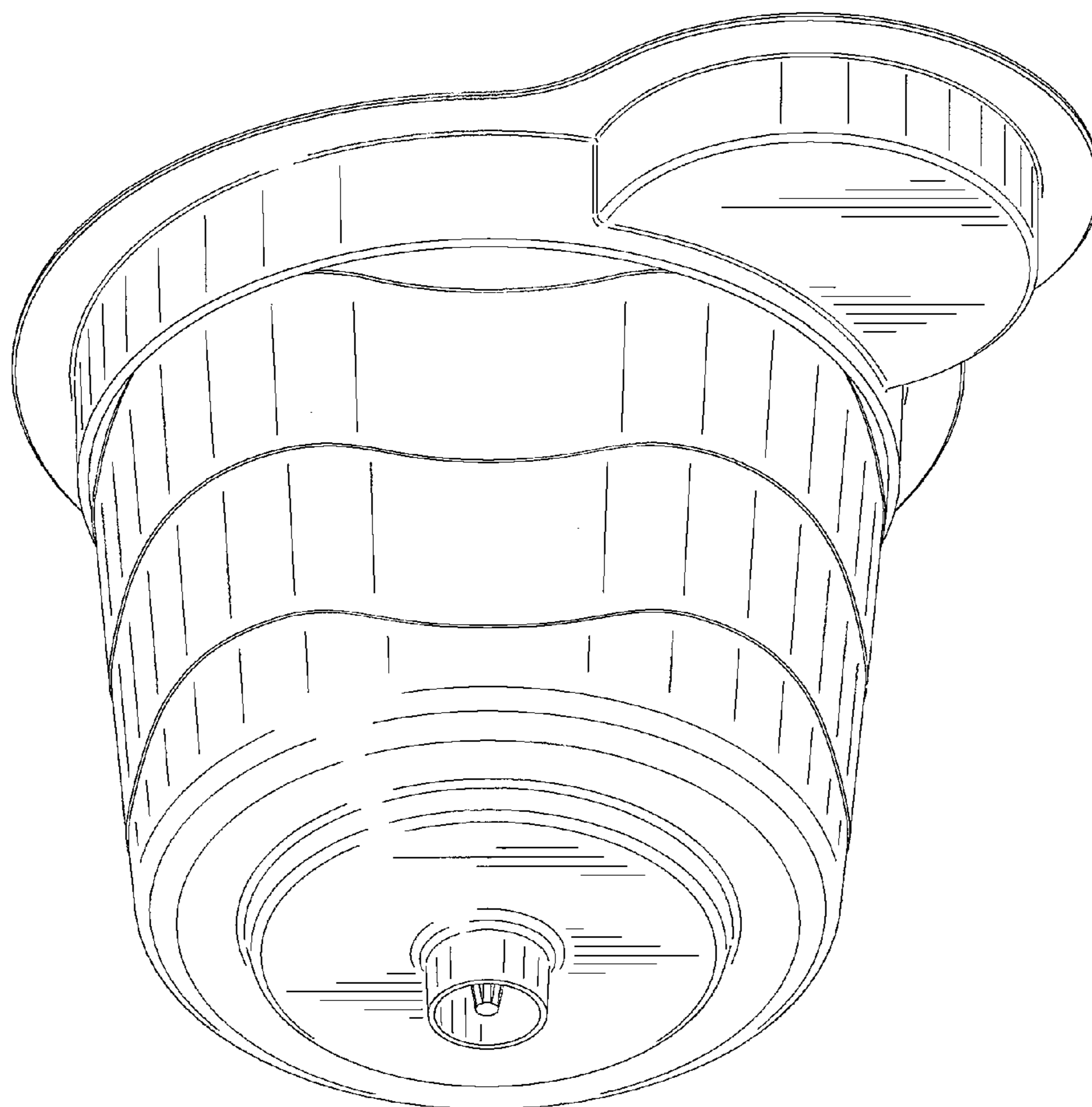


FIG. 3

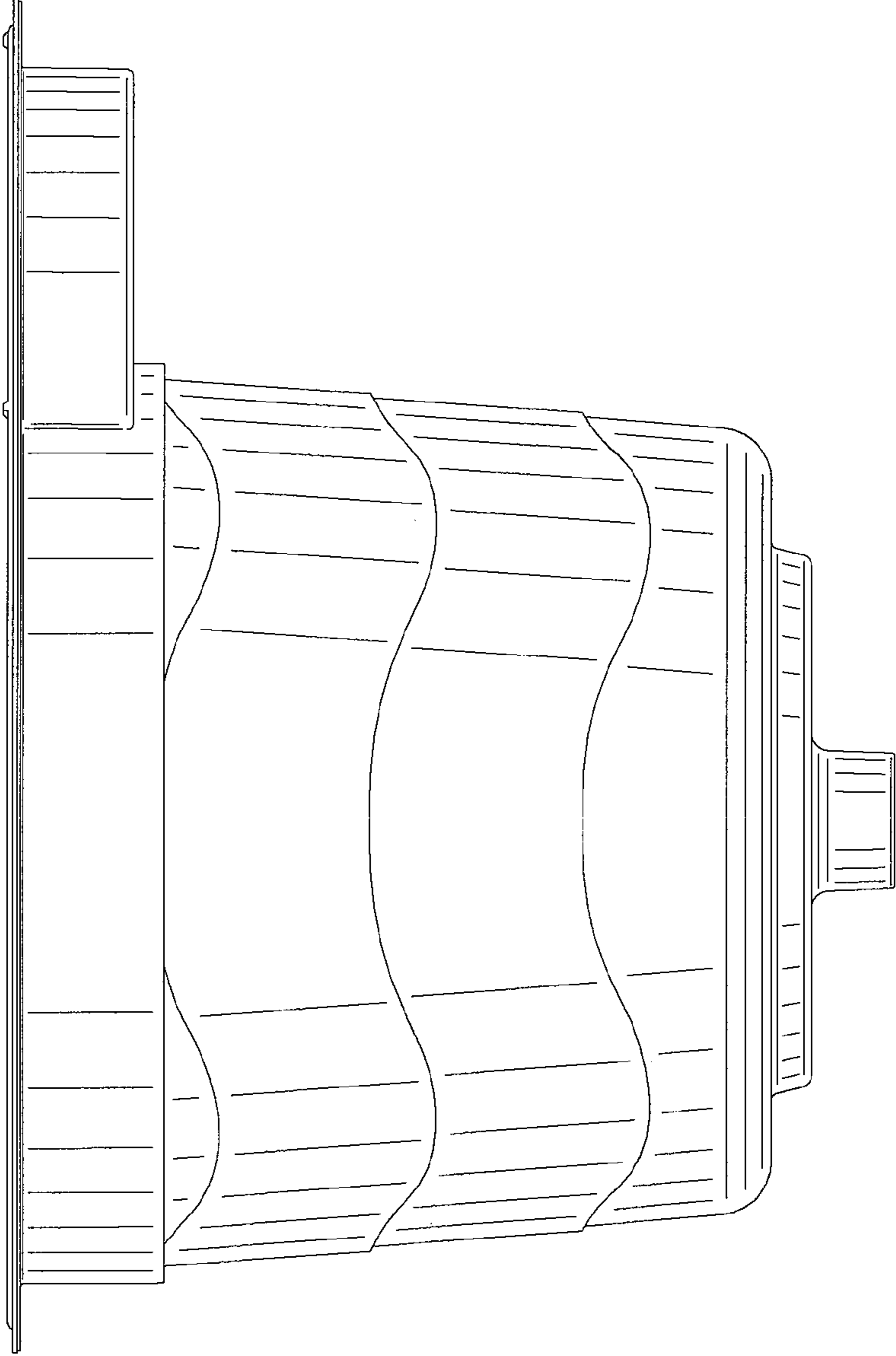


FIG. 4

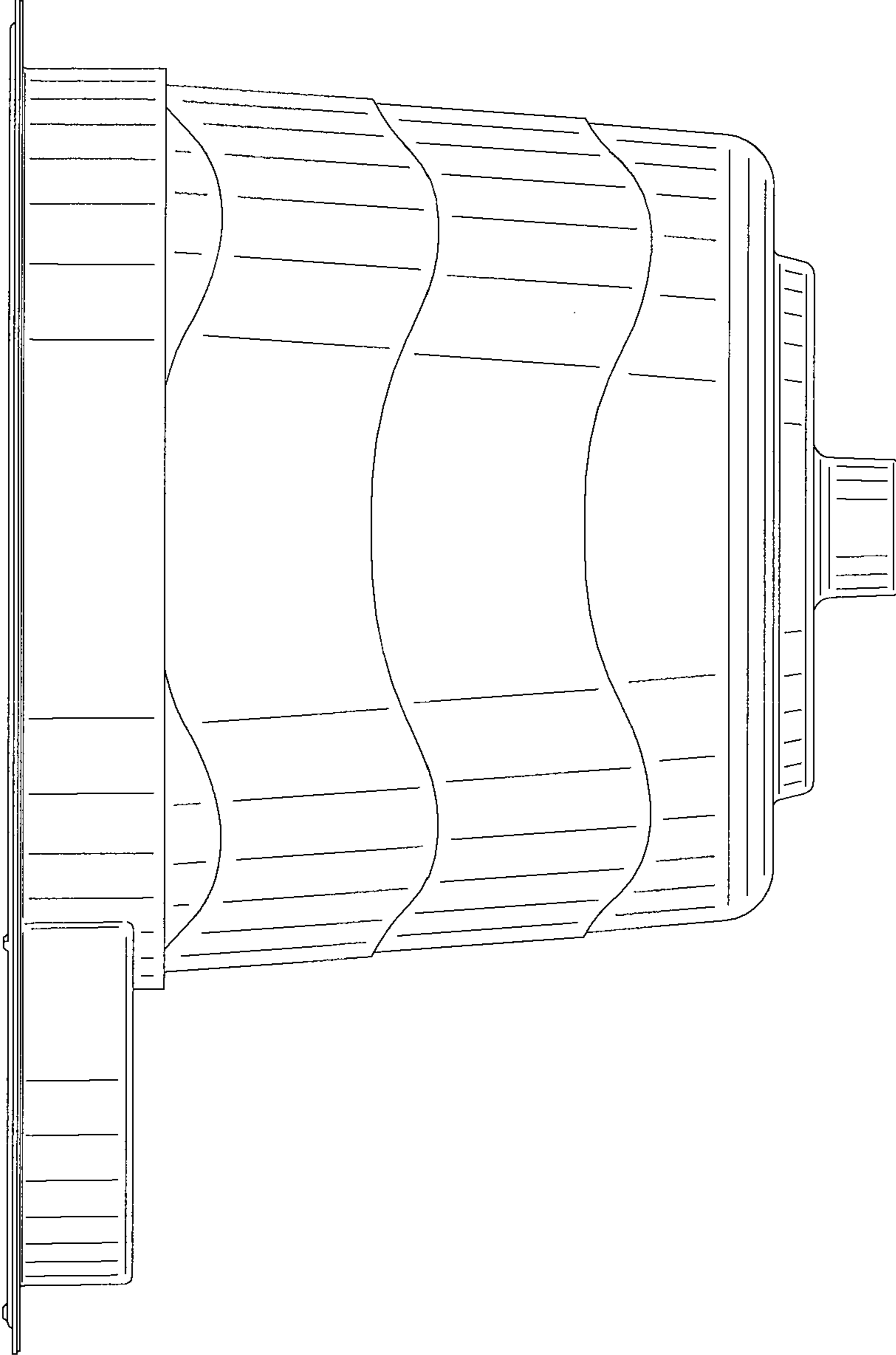


FIG. 5

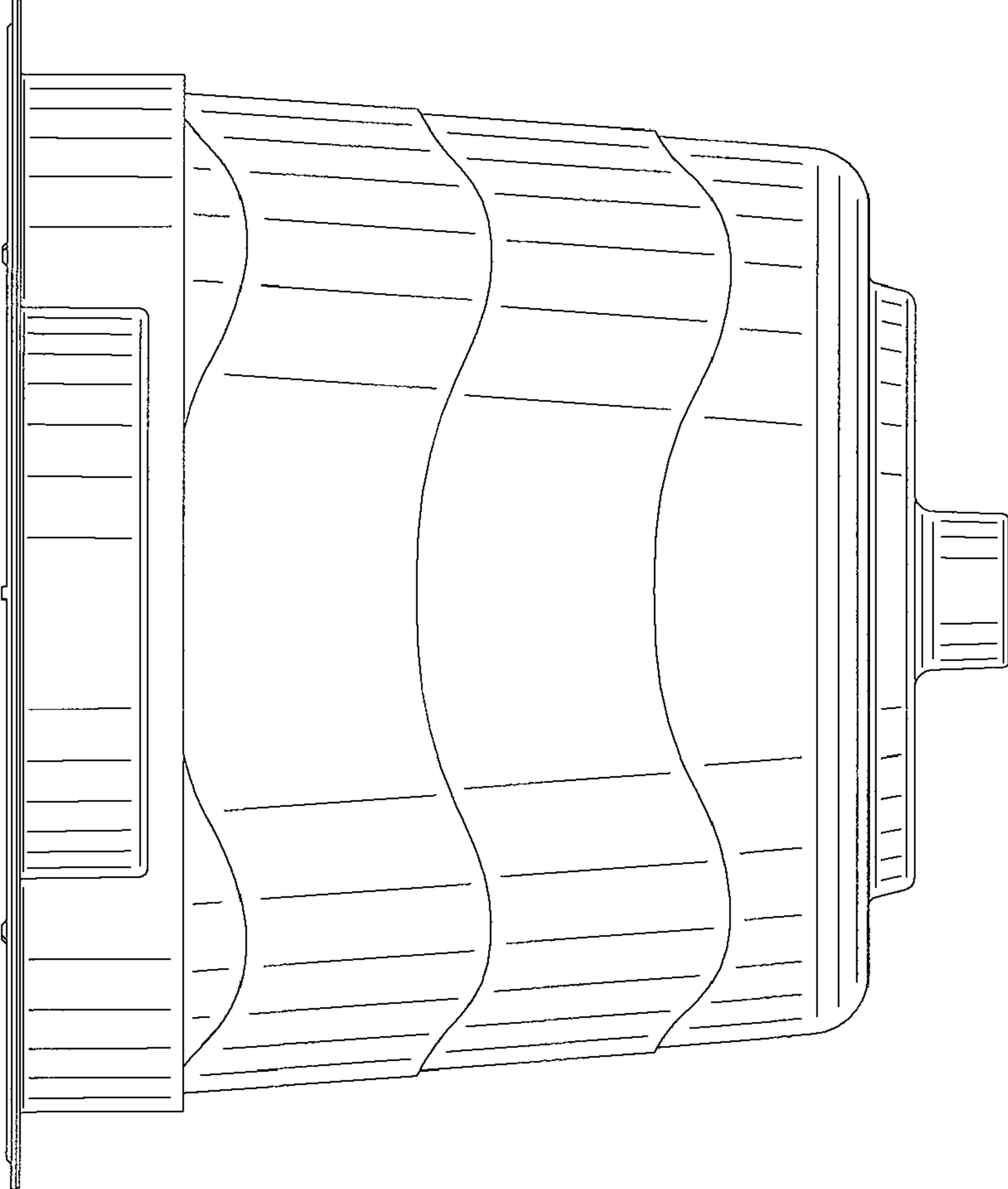
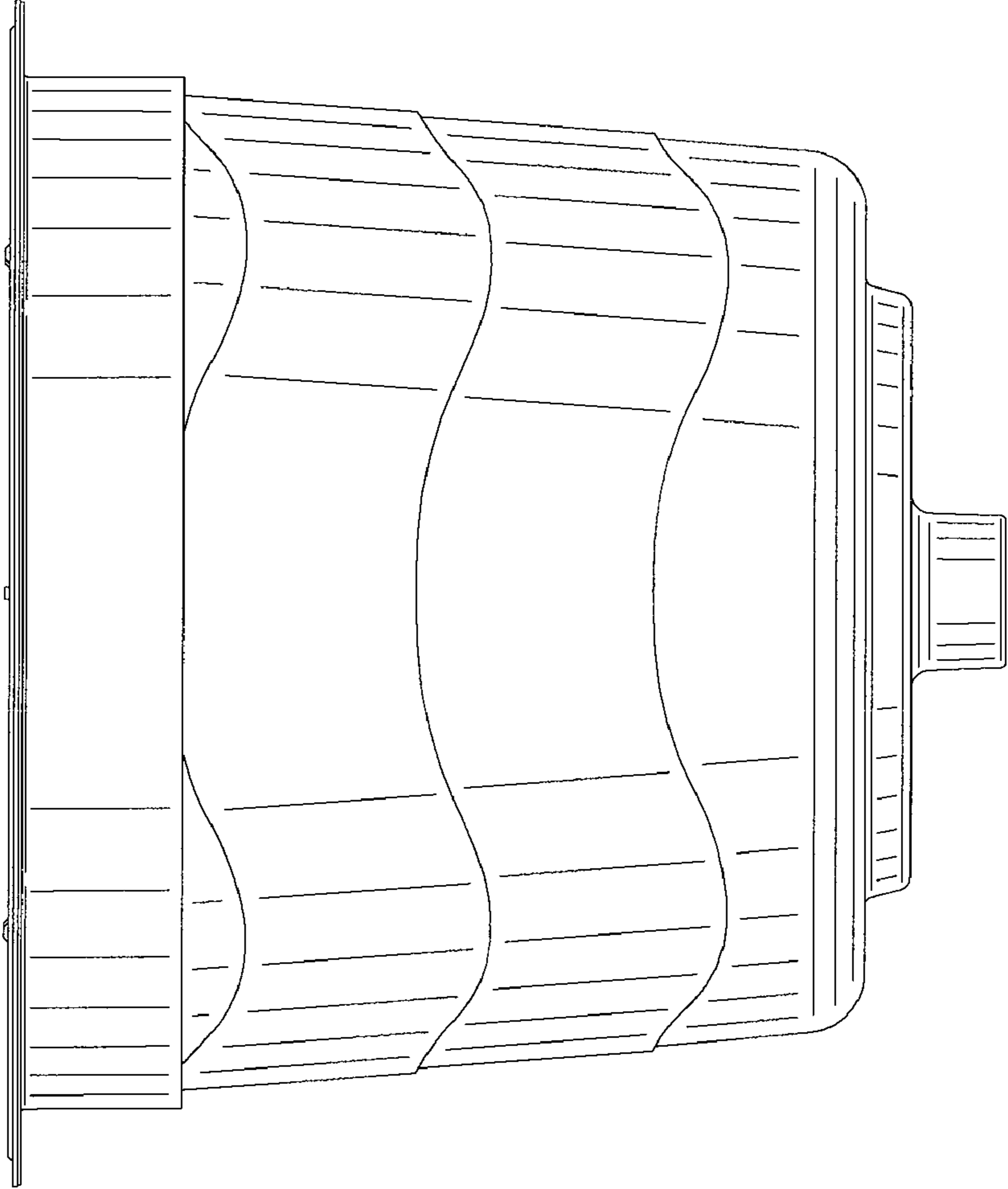


FIG. 6



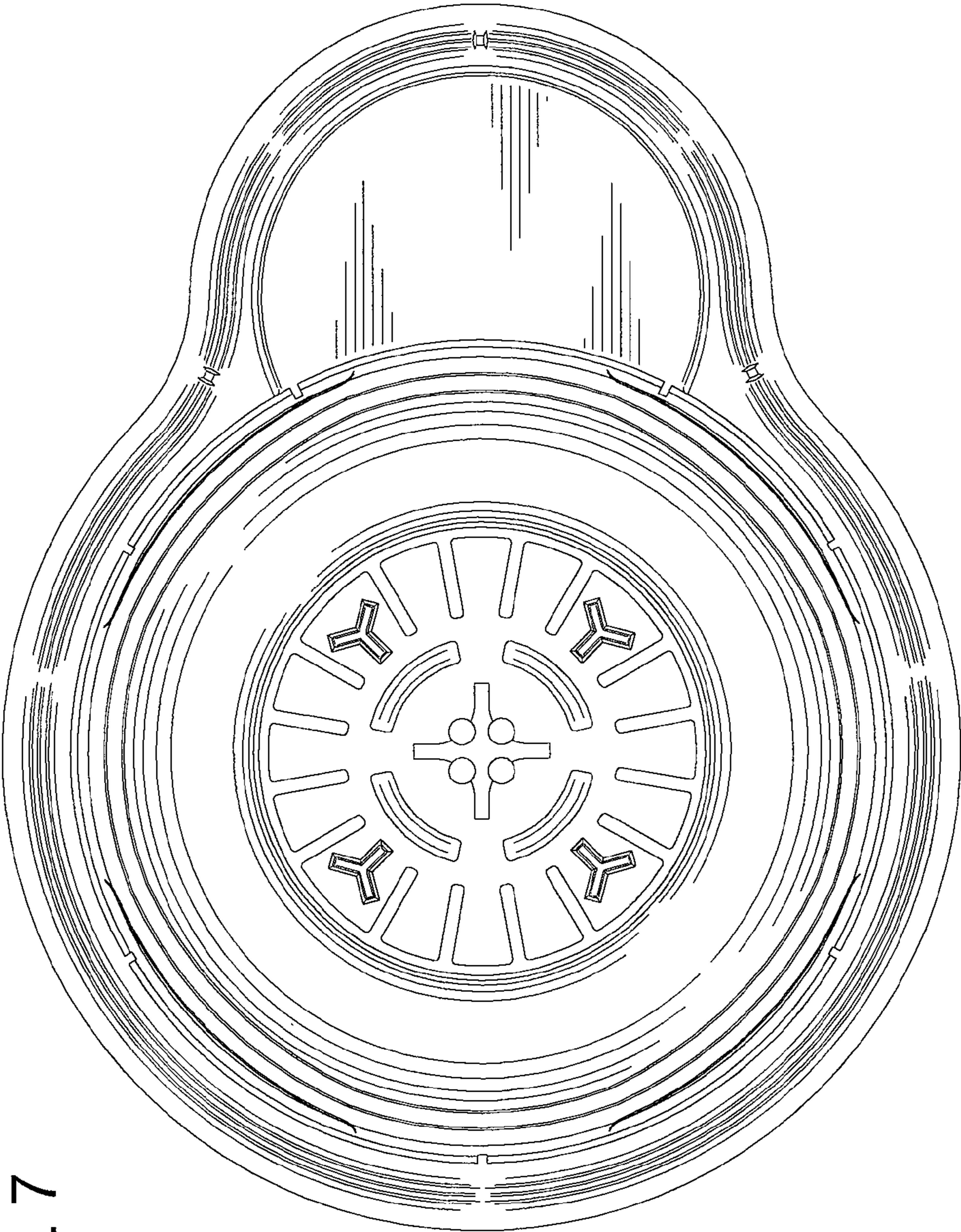


FIG. 7



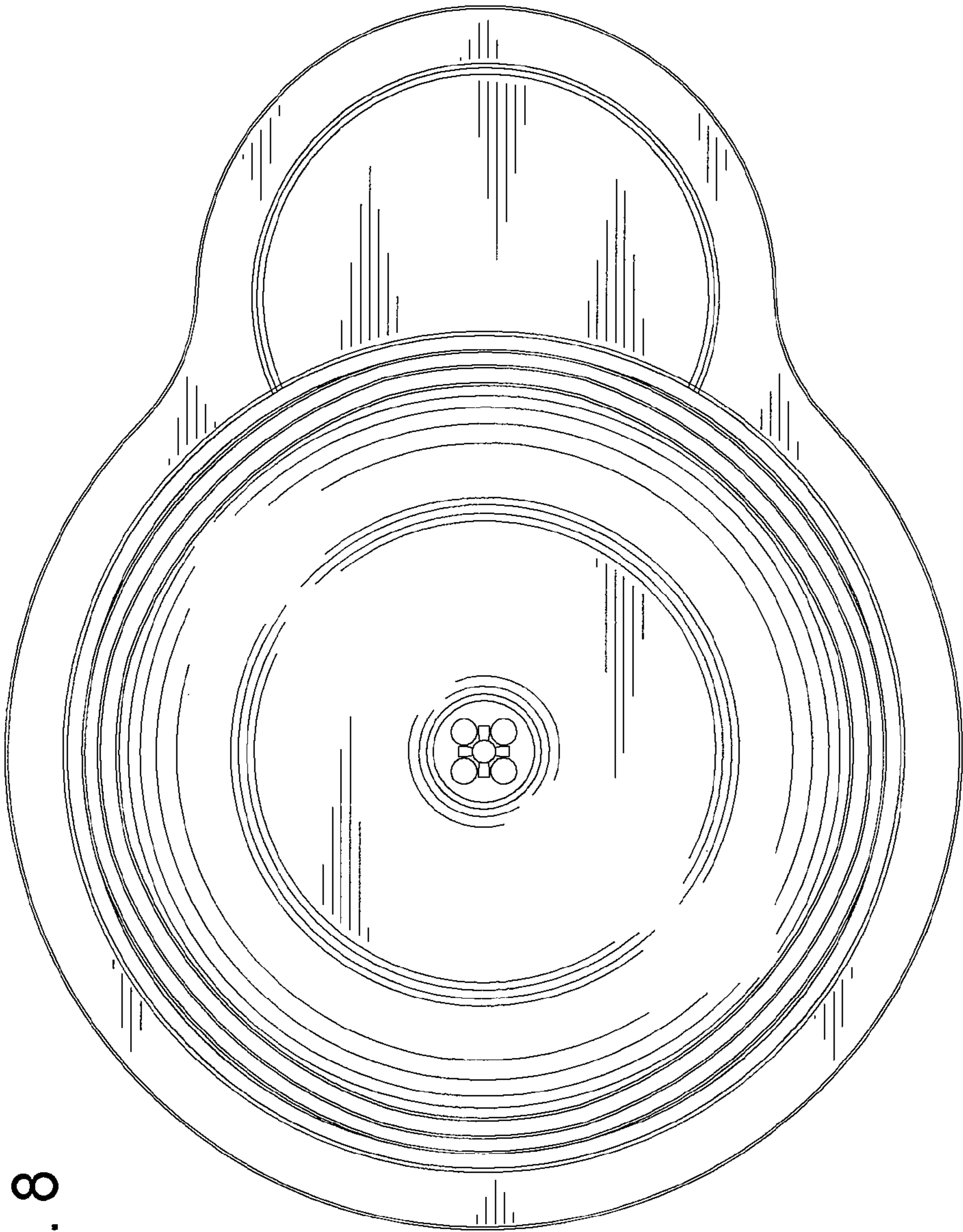


FIG. 8

FIG. 9

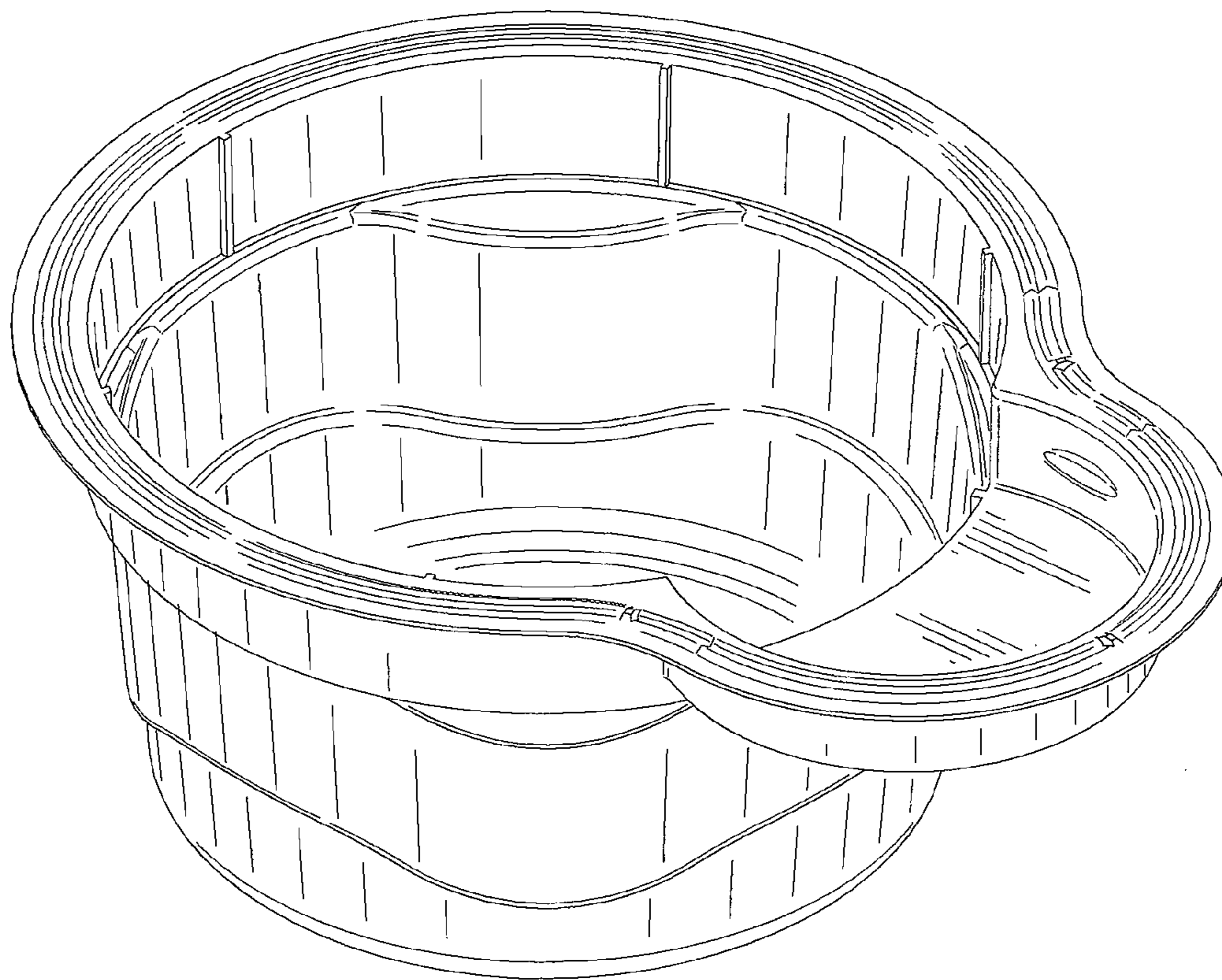


FIG. 10

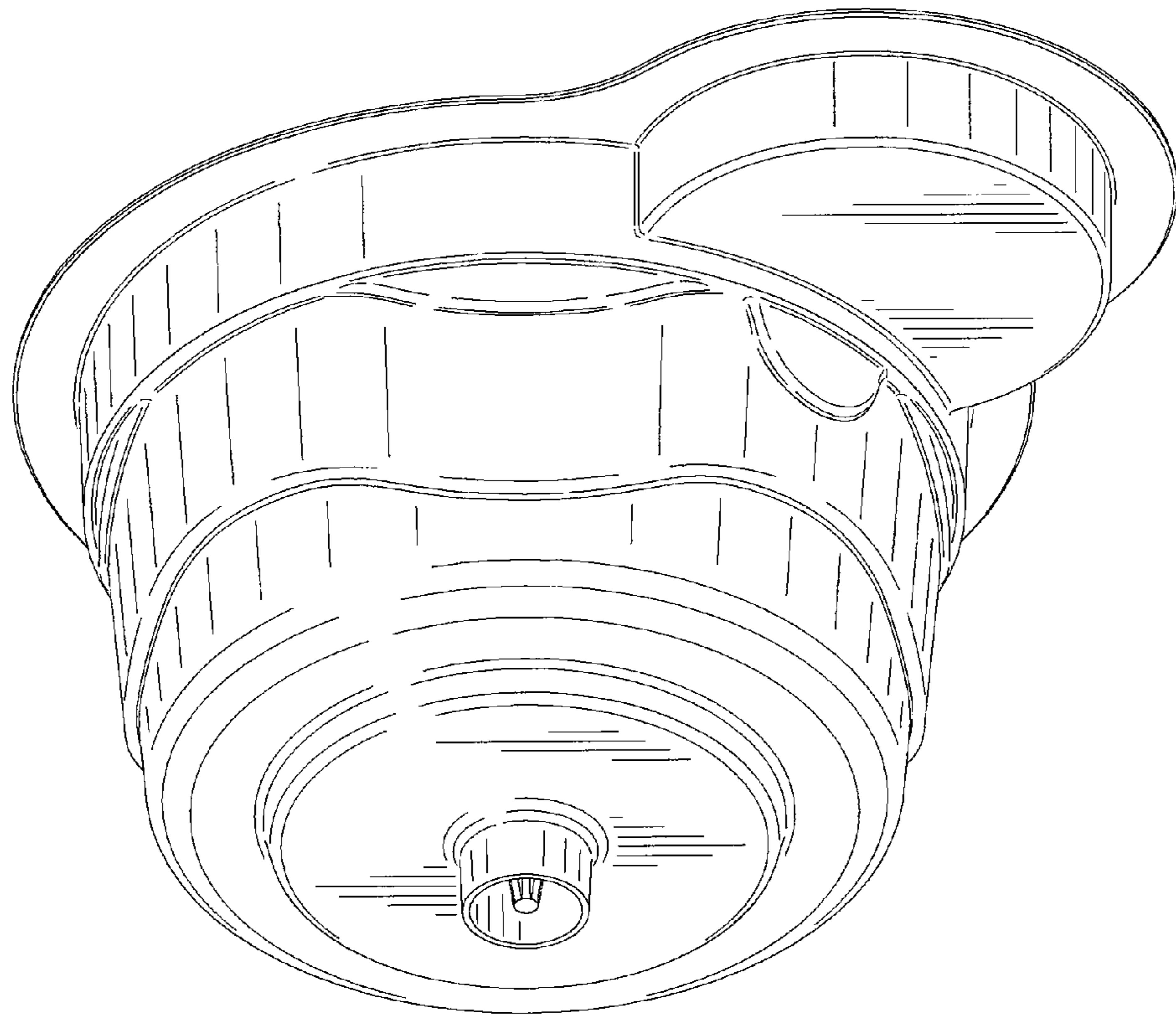


FIG. 11

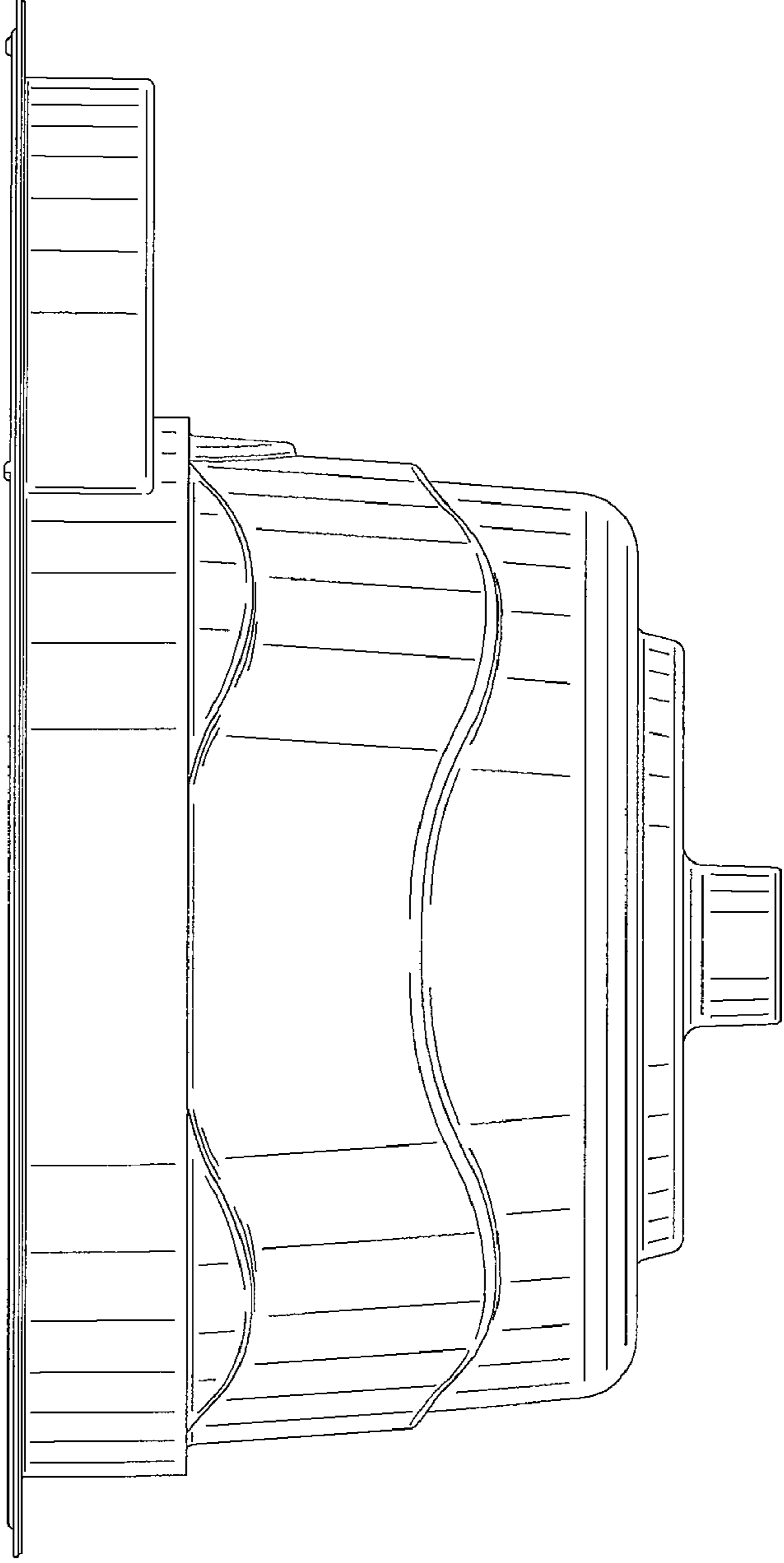


FIG. 12

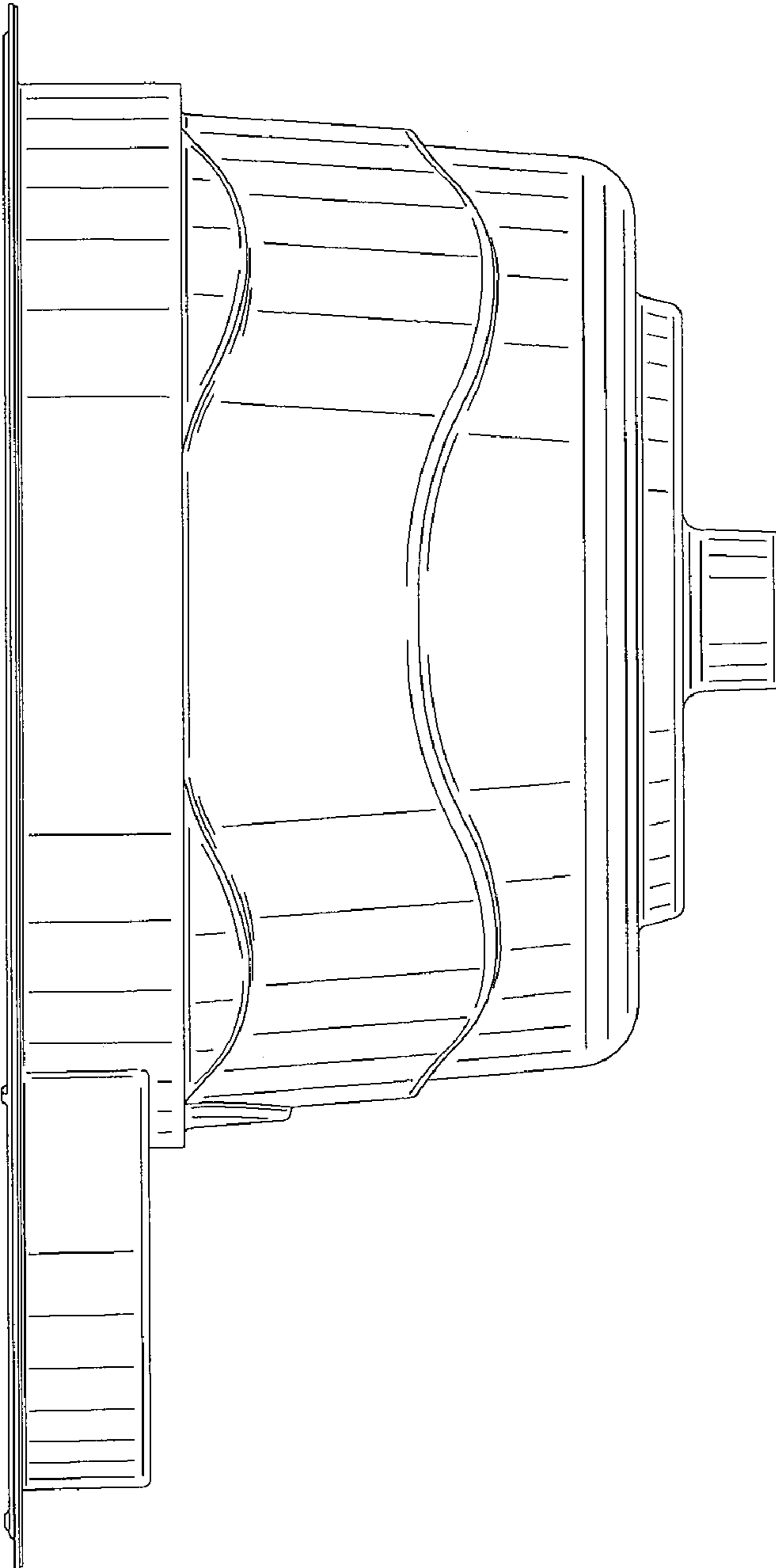


FIG. 13

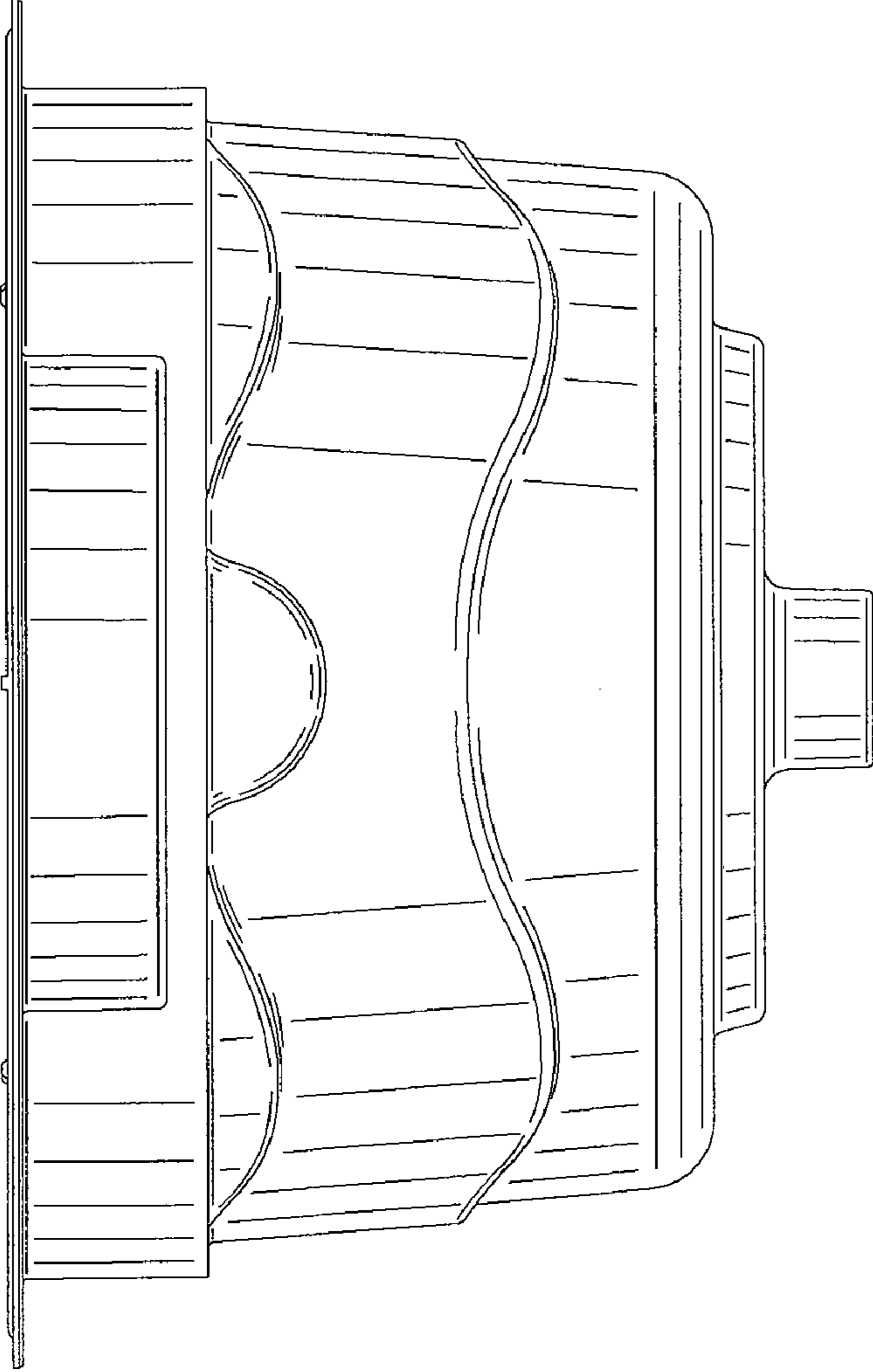
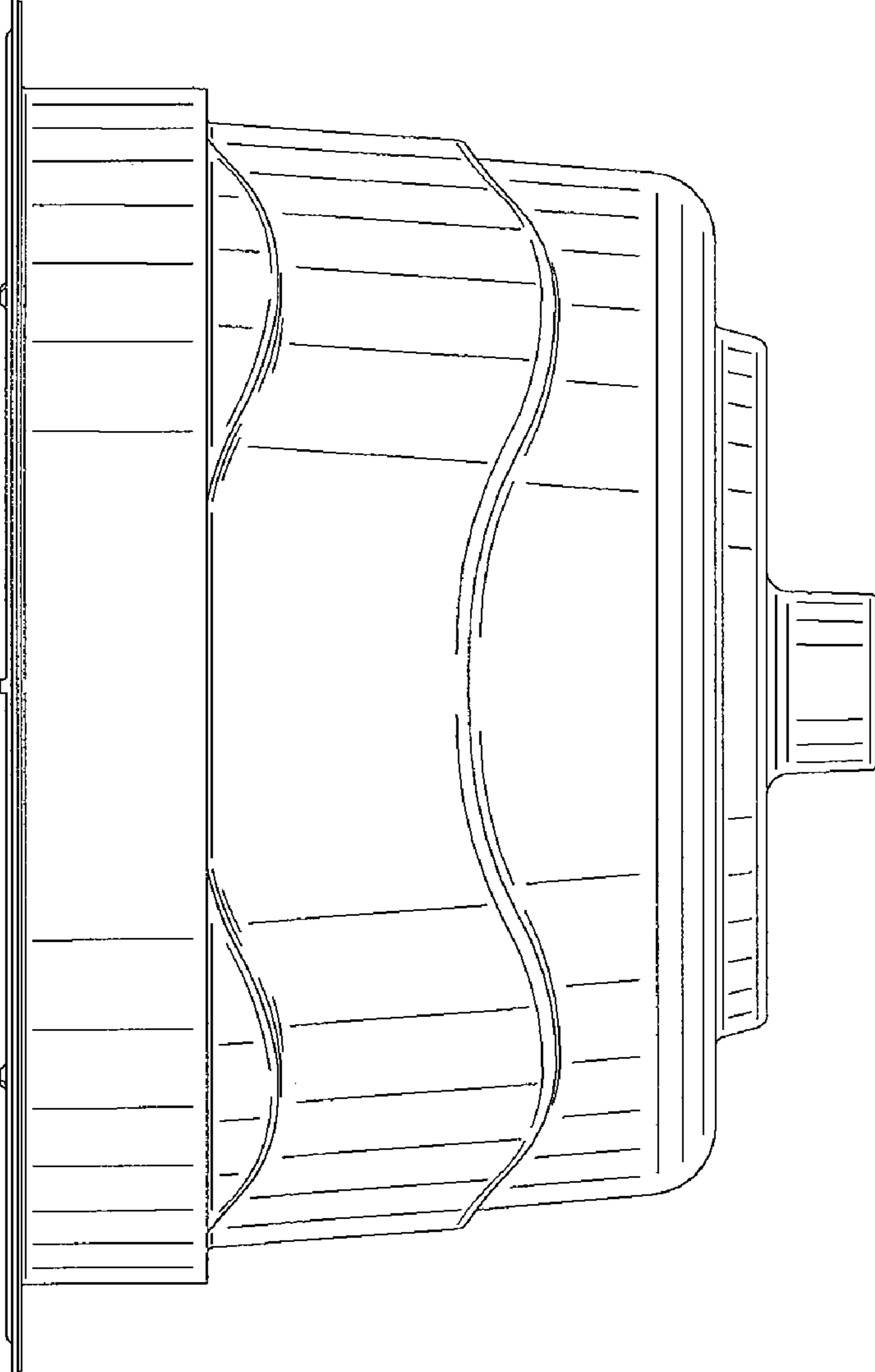


FIG. 14



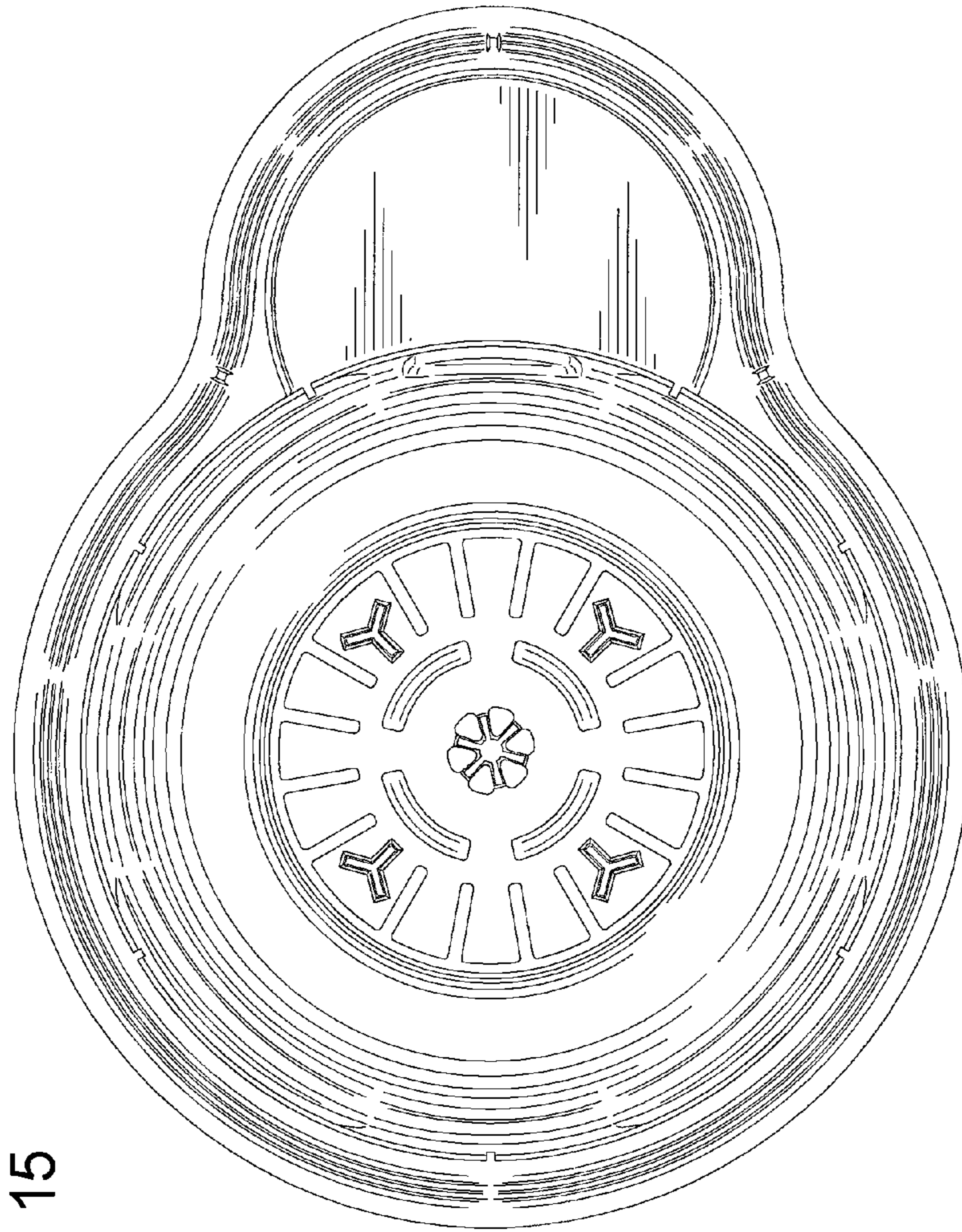


FIG. 15



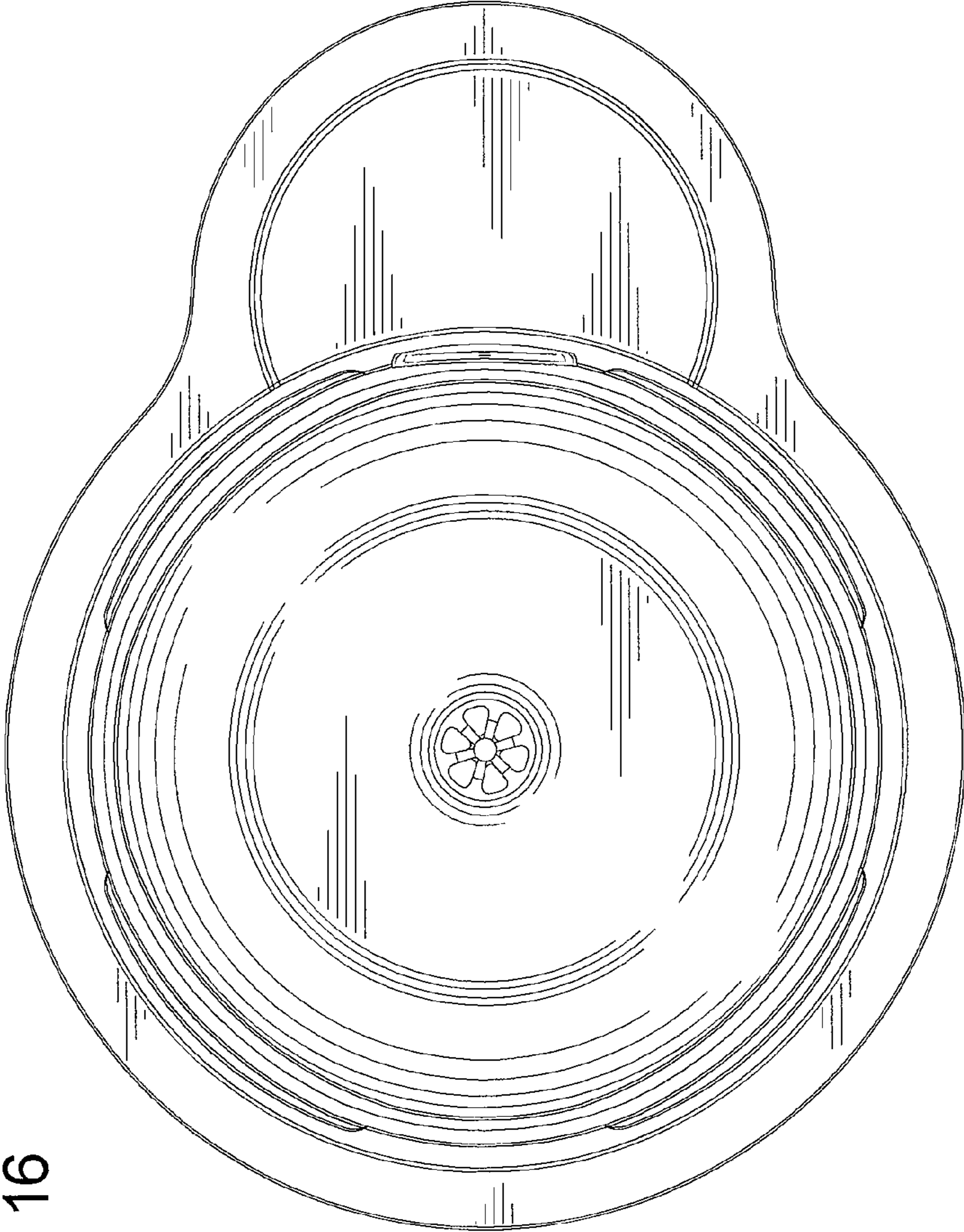


FIG. 16