



US00D677149S

(12) **United States Design Patent**
Hammer et al.

(10) **Patent No.:** **US D677,149 S**
(45) **Date of Patent:** **** Mar. 5, 2013**

(54) **DOOR STOP**

(75) Inventors: **Allison Michelle Hammer**, Chicago, IL (US); **Christian Castro**, Chicago, IL (US)

(73) Assignee: **Liberty Hardware Mfg. Corp.**, Winston-Salem, NC (US)

(**) Term: **14 Years**

(21) Appl. No.: **29/422,495**

(22) Filed: **May 22, 2012**

(51) **LOC (9) Cl.** **08-09**

(52) **U.S. Cl.** **D8/402; D19/65**

(58) **Field of Classification Search** D8/395, D8/400-404, 499, 391, 393, 388; D9/456, D9/614, 623, 628, 640, 673; 160/181; D21/385, D21/418, 426, 430, 441, 447-449, 51, 499, D21/582, 587, 593, 594, 621; 40/331, 599; 16/71, 82, 83, 375, 342, 85, 86 B; D28/91.1, D28/38, 39; D11/36, 32, 53, 78.1, 101, 113, D11/136, 150, 160, 162; D6/332; D20/19, D20/42, 43; D19/34.1, 34.5, 65, 90

See application file for complete search history.

(56) **References Cited**

U.S. PATENT DOCUMENTS

D101,962 S *	11/1936	Le Breux	D8/391
D414,207 S *	9/1999	Wagner et al.	D19/65
D564,345 S *	3/2008	Prada	D8/391
D570,678 S *	6/2008	Zhang	D8/402
D582,481 S *	12/2008	Vaughn	D19/65
D652,289 S *	1/2012	Vu	D8/402
D652,714 S *	1/2012	Vu	D8/402
D653,532 S *	2/2012	Vu	D8/402
D658,490 S *	5/2012	Lien	D8/388
D665,248 S *	8/2012	Vu	D8/402

* cited by examiner

Primary Examiner — Robert M Spear
Assistant Examiner — Janice Hallmark

(74) *Attorney, Agent, or Firm* — Lora J. Graentzdoerffer; Nirav D. Parikh; Edgar A. Zarins

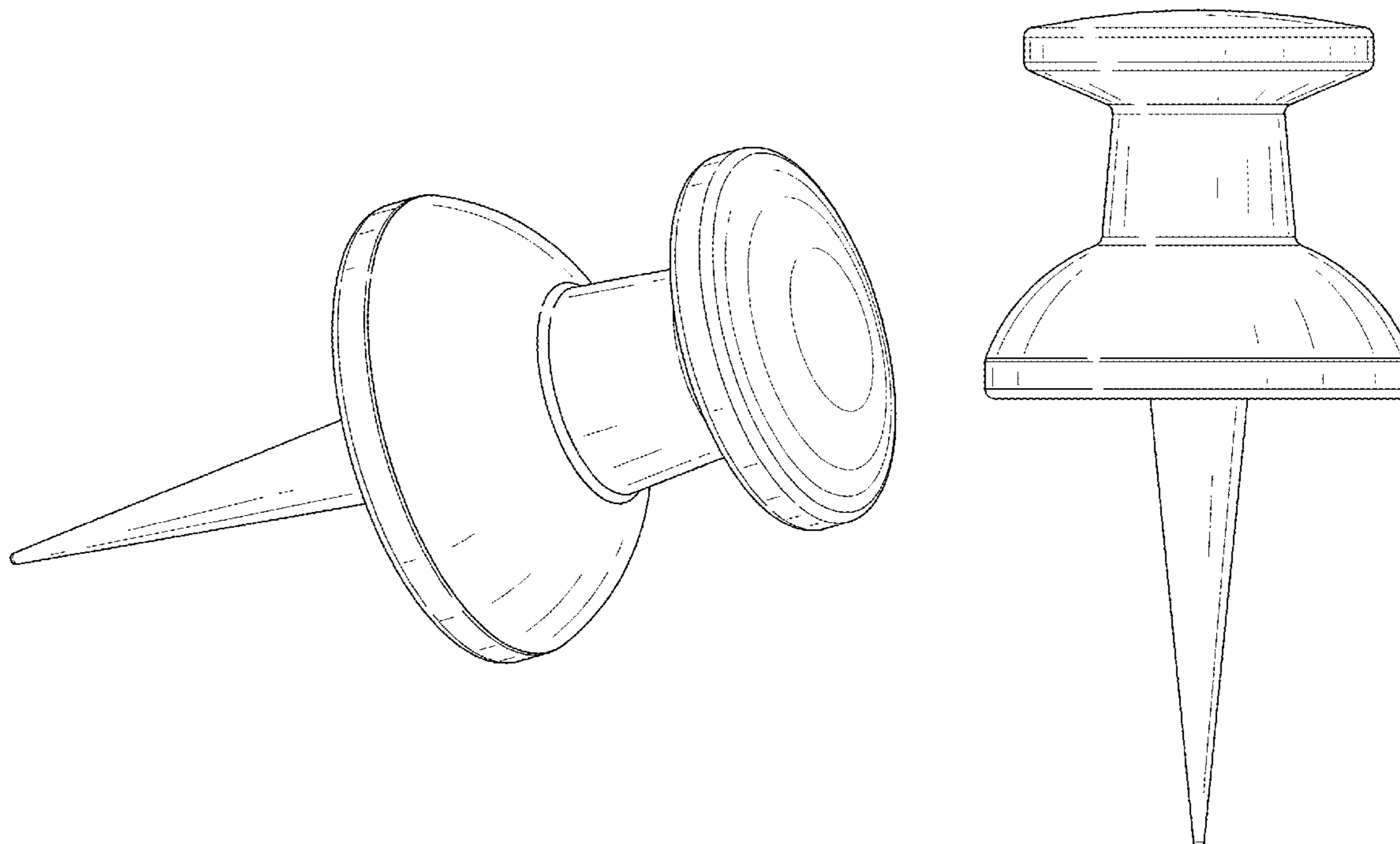
(57) **CLAIM**

The ornamental design for a door stop, as shown and described.

DESCRIPTION

FIG. 1 is a perspective view of a door stop;
FIG. 2 is a front elevational view thereof;
FIG. 3 is a top plan view thereof; and,
FIG. 4 is a bottom plan view thereof.

1 Claim, 3 Drawing Sheets



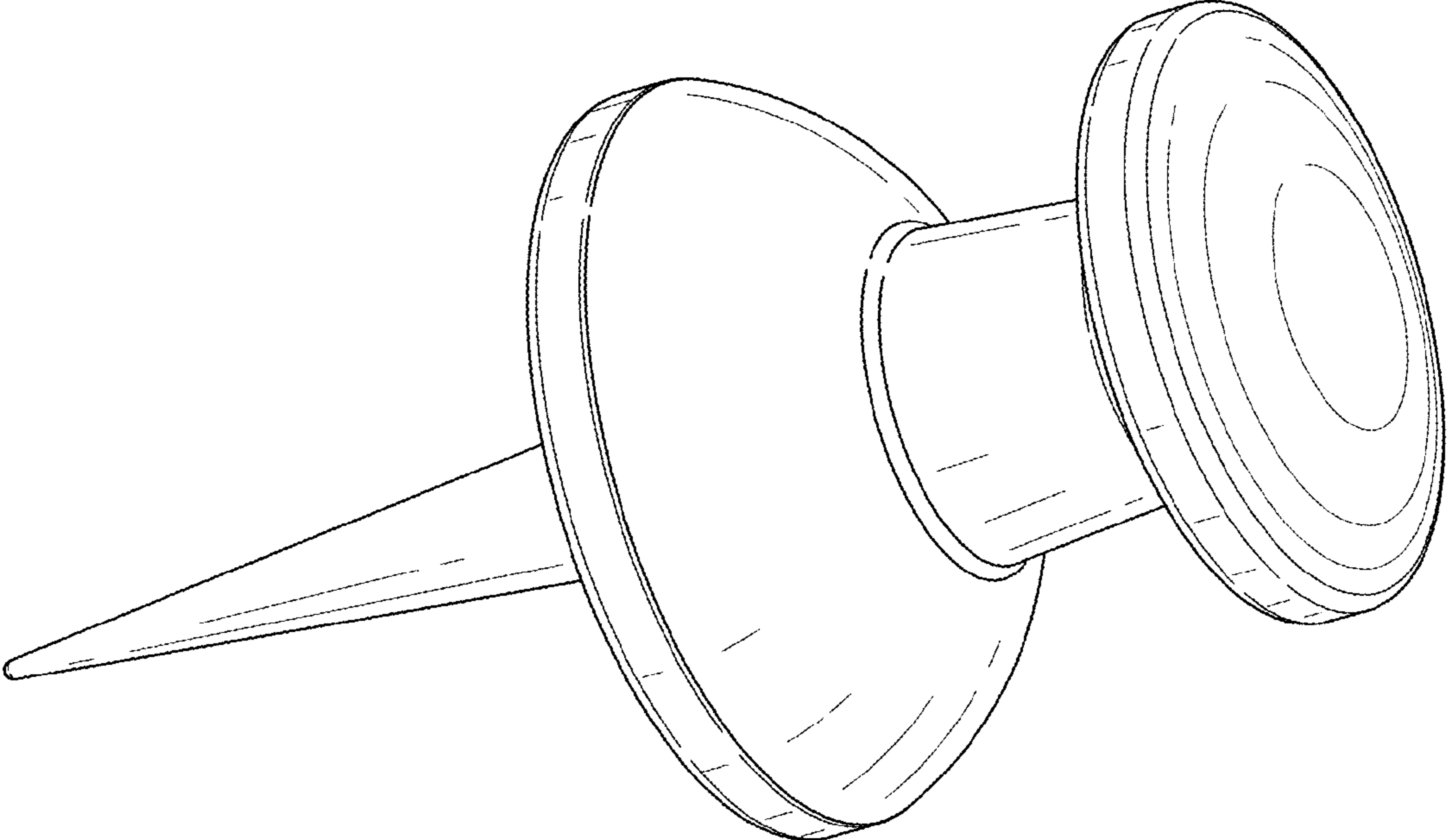


FIG. 1

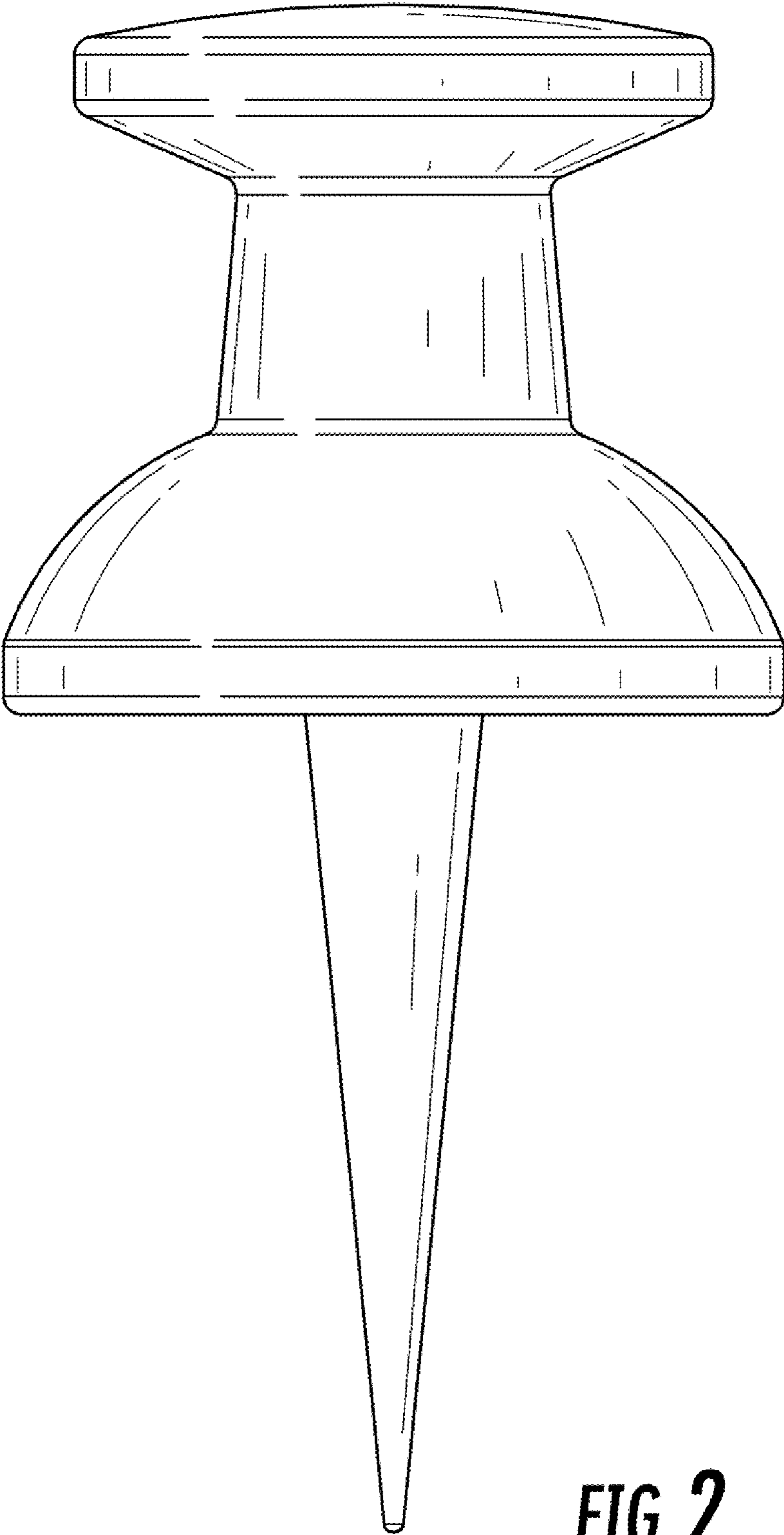


FIG. 2

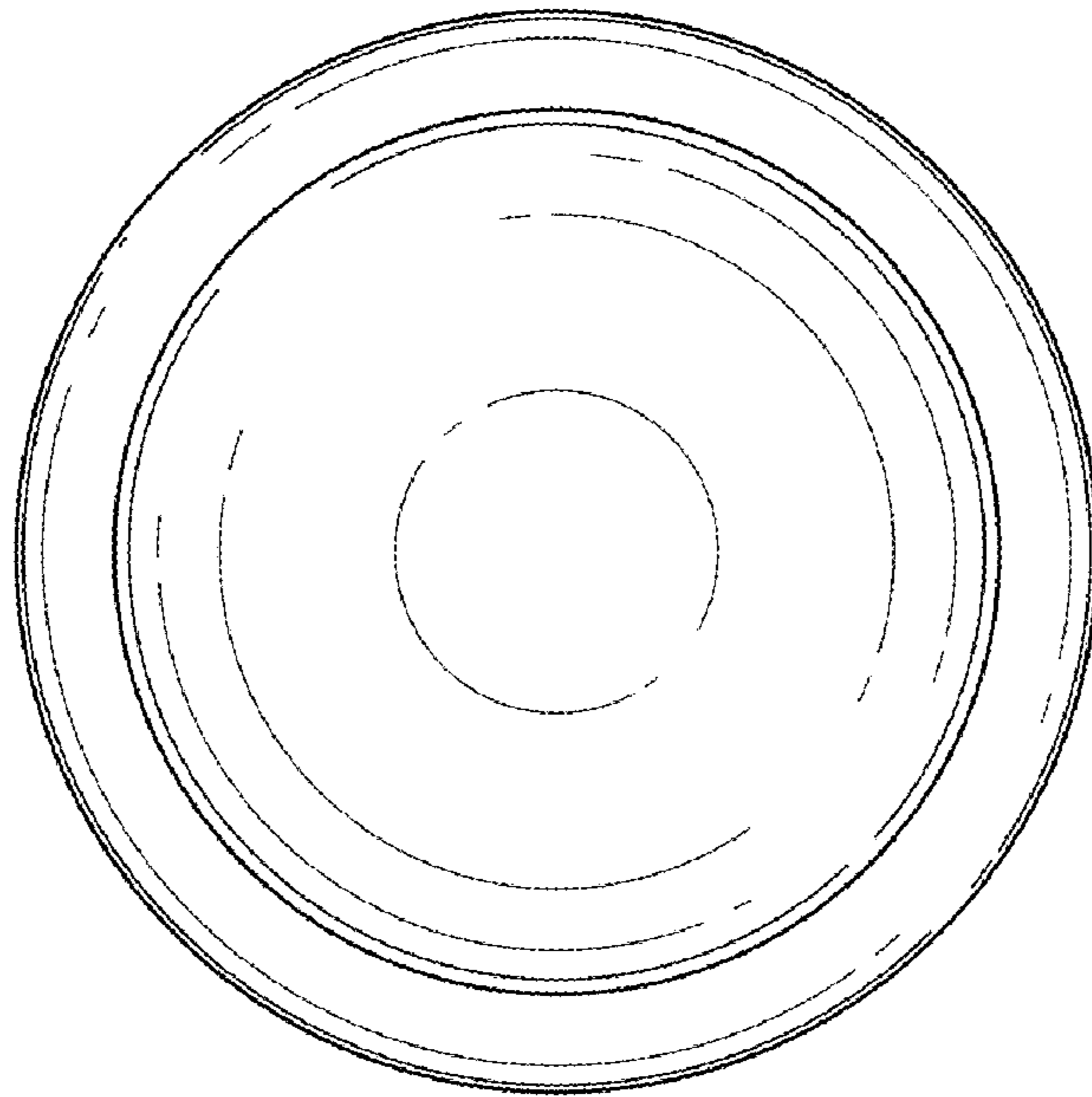


FIG. 3

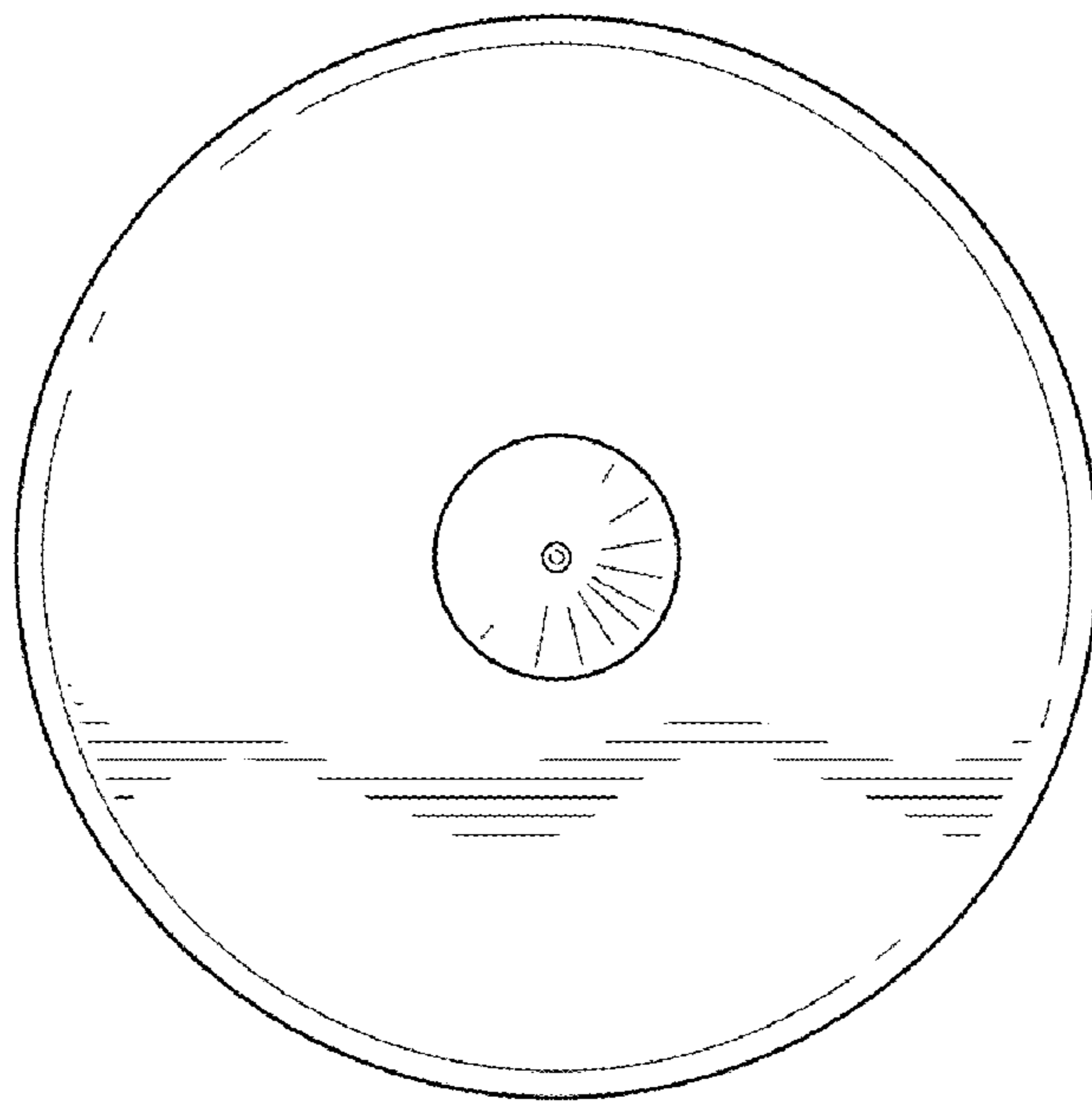


FIG. 4