



US00D677148S

(12) **United States Design Patent**
Hammer et al.

(10) **Patent No.:** **US D677,148 S**
(45) **Date of Patent:** **** Mar. 5, 2013**

(54) **DOOR STOP**

(75) Inventors: **Allison Michelle Hammer**, Chicago, IL (US); **José Manuel Fernandes dos Santos**, Chicago, IL (US)

(73) Assignee: **Liberty Hardware Mfg. Corp.**, Winston-Salem, NC (US)

(**) Term: **14 Years**

(21) Appl. No.: **29/422,177**

(22) Filed: **May 17, 2012**

(51) **LOC (9) Cl.** **08-09**

(52) **U.S. Cl.** **D8/402**

(58) **Field of Classification Search** D8/395, D8/400-404, 499; D9/456, 614, 623, 628, D9/640, 673; 160/181; D21/385, 418, 426, D21/430, 441, 447-449, 51, 499, 582, 587, D21/593, 594, 621; 40/331, 599; 16/71, 16/82, 83, 375, 342, 85, 86 B; D28/91.1, D28/38, 39; D11/36, 32, 53, 78.1, 101, 113, D11/136, 150, 160, 162; D6/332; D20/19, D20/42, 43; D19/34.1, 34.5
See application file for complete search history.

(56) **References Cited**

U.S. PATENT DOCUMENTS

D131,540 S *	3/1942	Phillips	D21/621
D143,939 S *	2/1946	Shuman	D21/621
D286,013 S *	10/1986	Adams	D8/395
D290,381 S *	6/1987	Wisber	D21/631
D383,703 S *	9/1997	Koumi	D11/83
D392,207 S *	3/1998	Koumi	D11/83
D394,772 S *	6/1998	Tungol et al.	D6/534
D419,309 S *	1/2000	Leon	D6/305
D432,940 S *	10/2000	Pottick	D11/83
D437,123 S *	2/2001	Leon	D6/305
D516,629 S *	3/2006	McDonald	D20/31
D542,436 S *	5/2007	Chang	D26/21
D553,196 S *	10/2007	Canon	D20/31

D585,067 S *	1/2009	Puglisi	D14/434
D596,013 S *	7/2009	Simmons	D8/356
D620,319 S *	7/2010	Alexander et al.	D7/619.2
D639,354 S *	6/2011	Weeks	D21/579
D643,078 S *	8/2011	McDonald	D21/698
D652,458 S *	1/2012	Teel et al.	D21/621
D669,527 S *	10/2012	Hammer et al.	D19/34.5
D671,602 S *	11/2012	Bradford	D21/621
2003/0190855 A1 *	10/2003	Teel	446/101
2007/0113450 A1 *	5/2007	Santa Cruz et al.	40/608

OTHER PUBLICATIONS

Invothis Flexman, posted Jul. 12, 2012, [online], [site visited Dec. 14, 2012]. Available from Internet, <URL: www.sears.com/invothis-or1038-flexman-grey/p-SPM6306770503>.*

Little man under the door/People door stop, photo taken Mar. 3, 2011, [online]. [site visited Dec. 14, 2012]. Available from Internet, <URL: www.flickr.com/photos/66268632@N02/6049015706/>.*

James the Doorstop, posted Oct. 20, 2010, [online], [site visited Dec. 14, 2012]. Available from Internet, <URL: <http://www.gentlemensgoods.com/2010/10/james-the-doorstop/>>.*

* cited by examiner

Primary Examiner — Robert M Spear

Assistant Examiner — Janice Hallmark

(74) *Attorney, Agent, or Firm* — Lora J. Graentzdoerffer; Nirav D. Parikh; Edgar A. Zarins

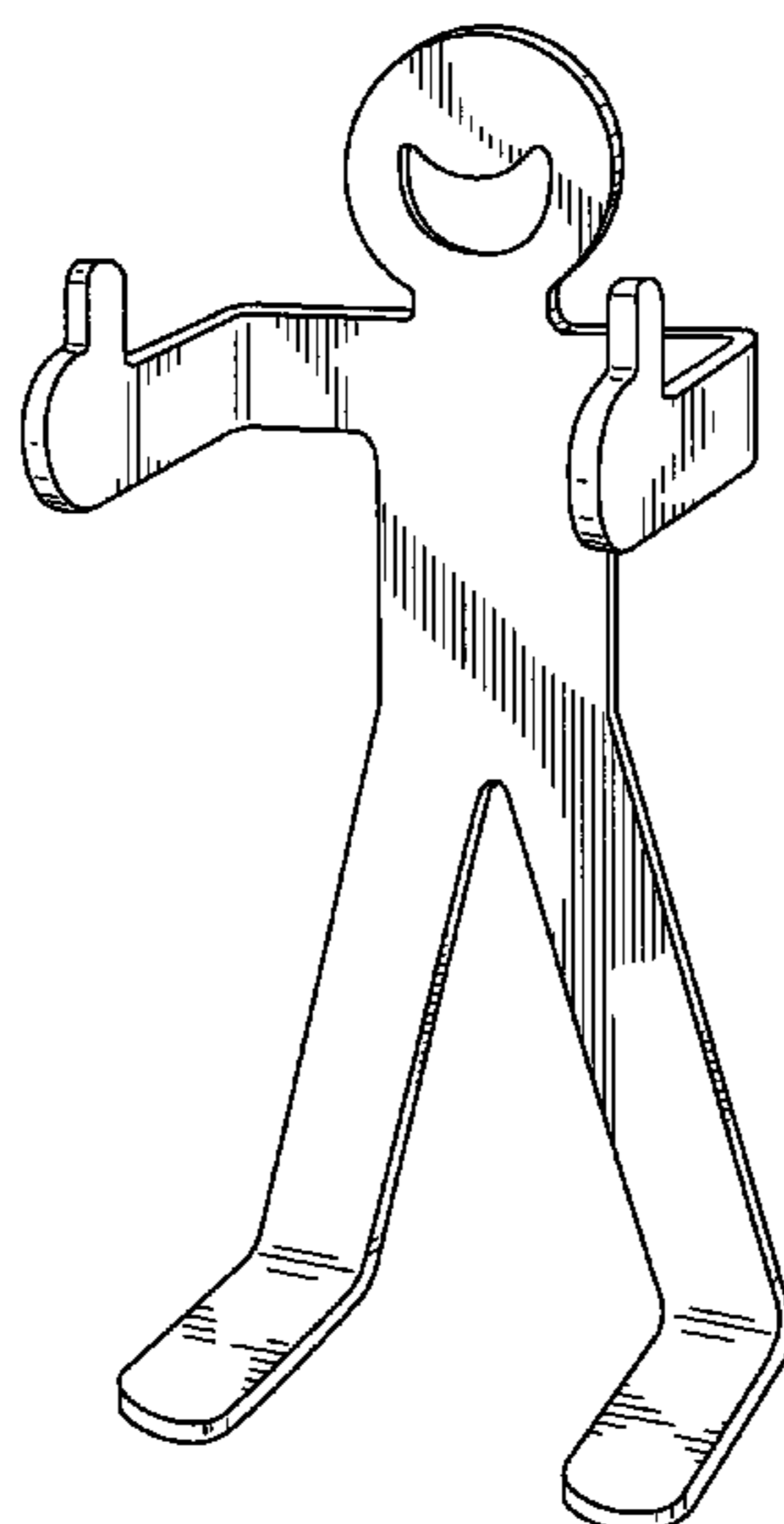
(57) **CLAIM**

The ornamental design for a door stop, as shown and described.

DESCRIPTION

FIG. 1 is a perspective view of a door stop;
FIG. 2 is a front elevational view thereof;
FIG. 3 is a rear elevational view thereof;
FIG. 4 is a top plan view thereof;
FIG. 5 is a bottom plan view thereof;
FIG. 6 is a left side elevational view thereof; and,
FIG. 7 is a right side elevational view thereof.

1 Claim, 5 Drawing Sheets



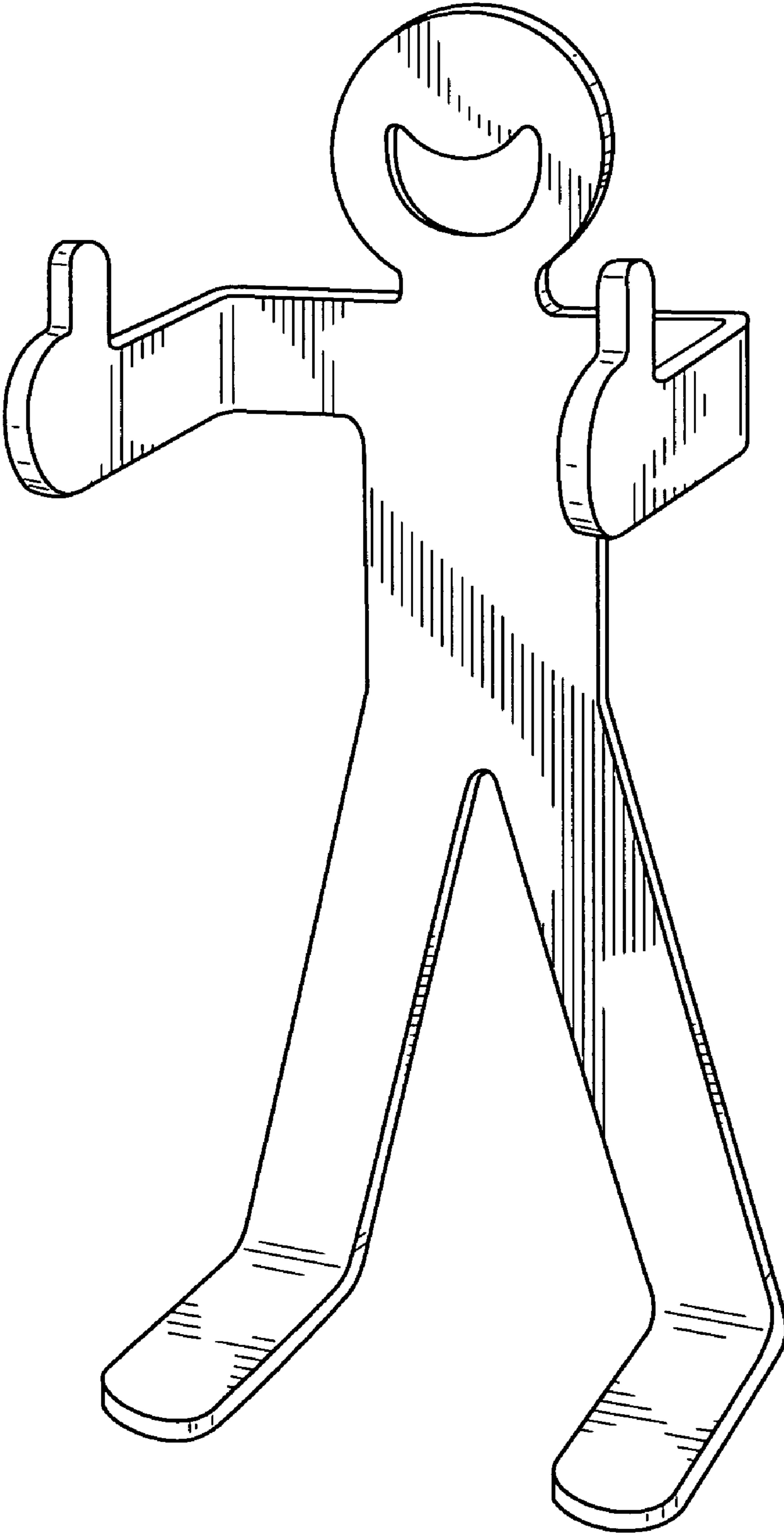


FIG. 1

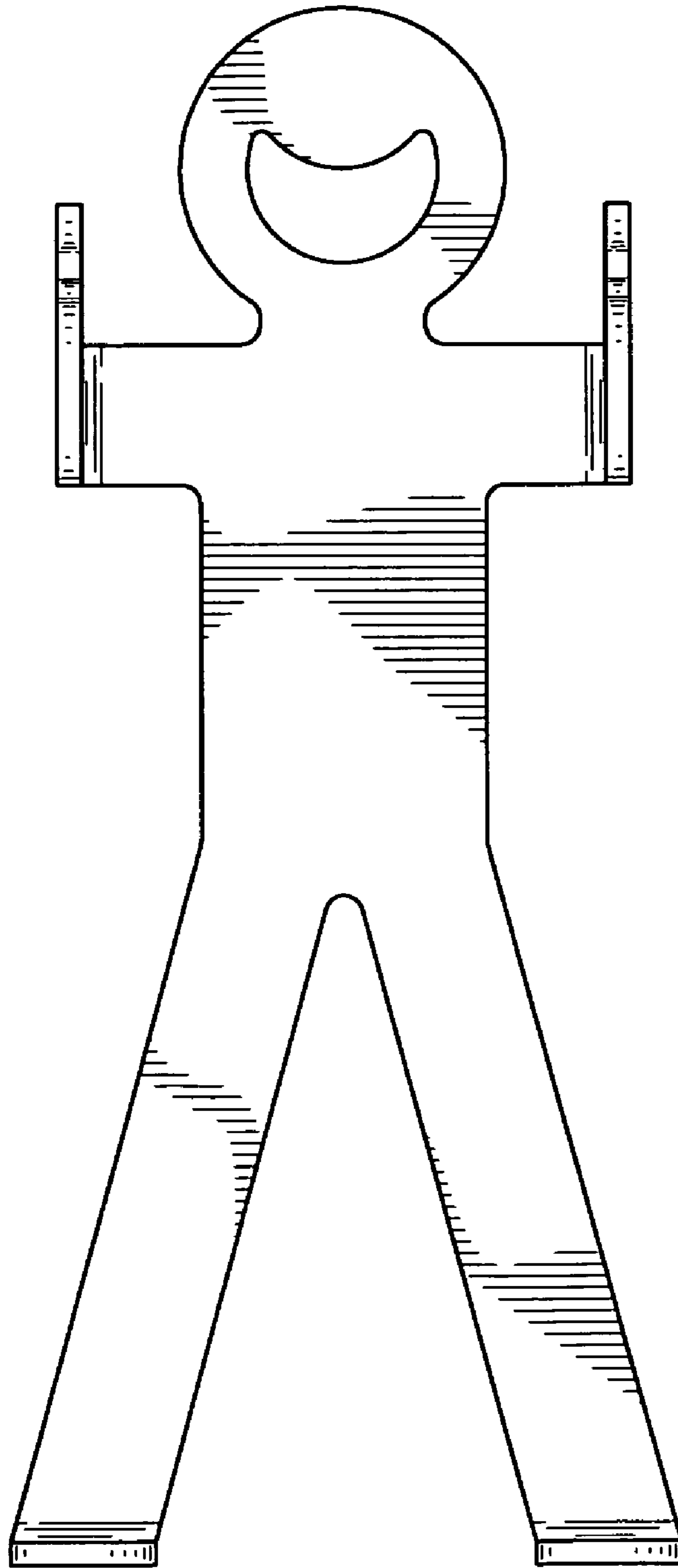


FIG. 2

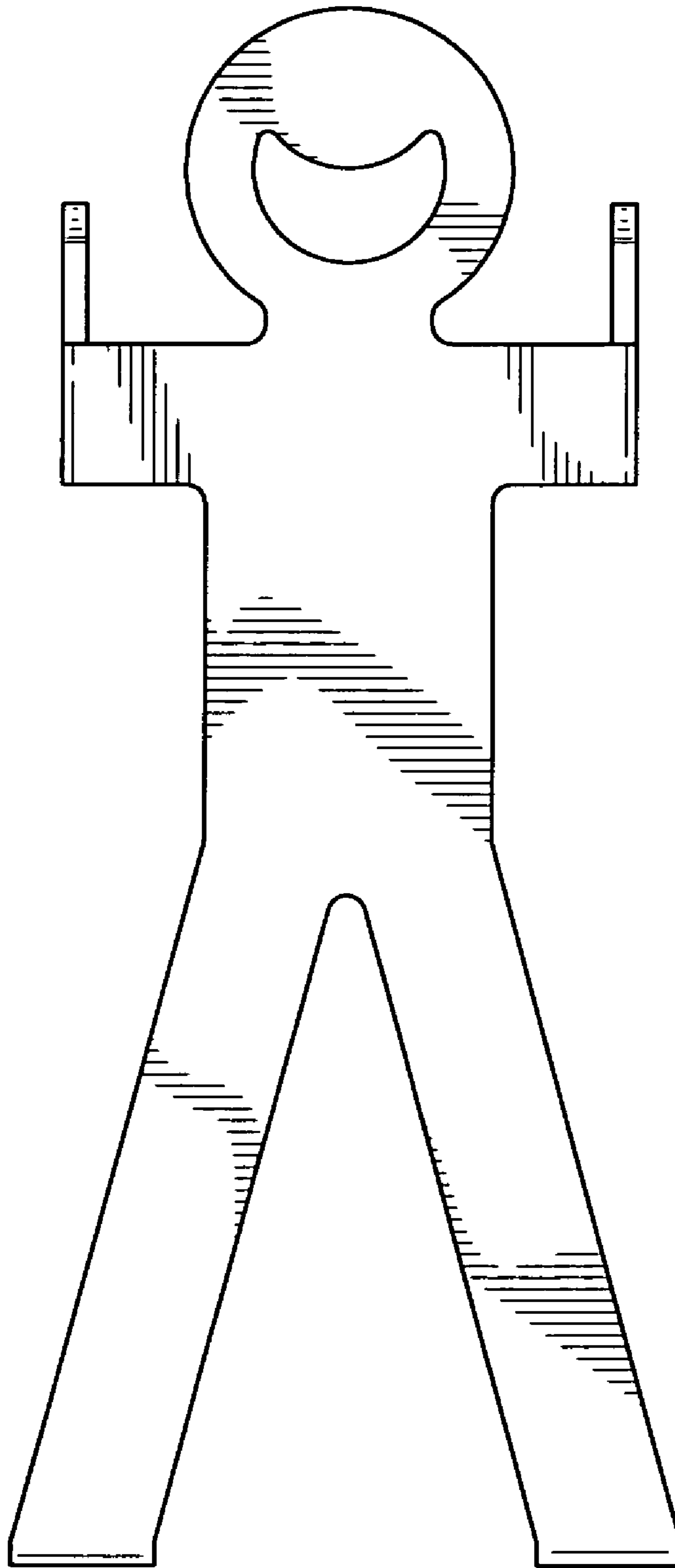


FIG. 3

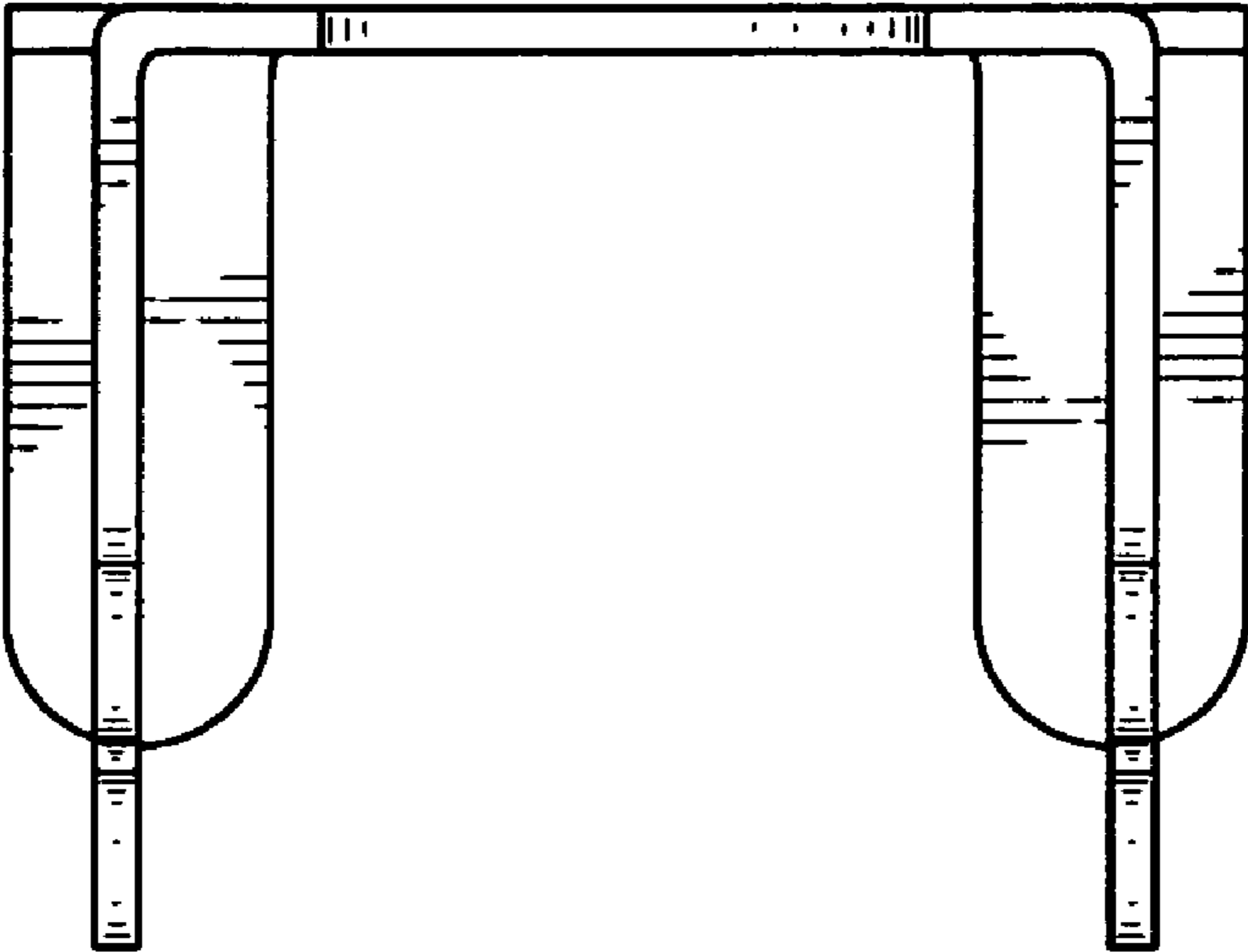


FIG. 4

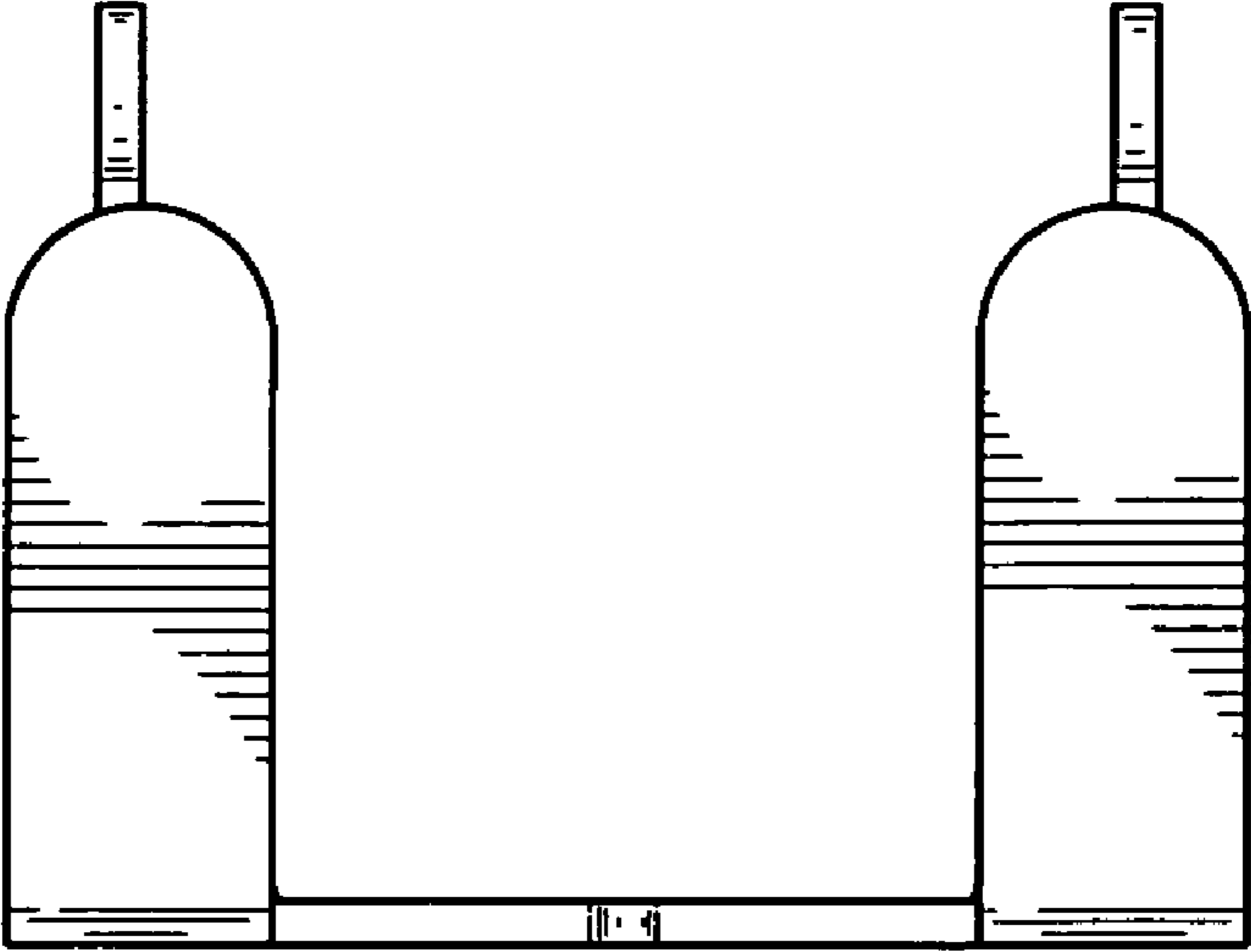


FIG. 5

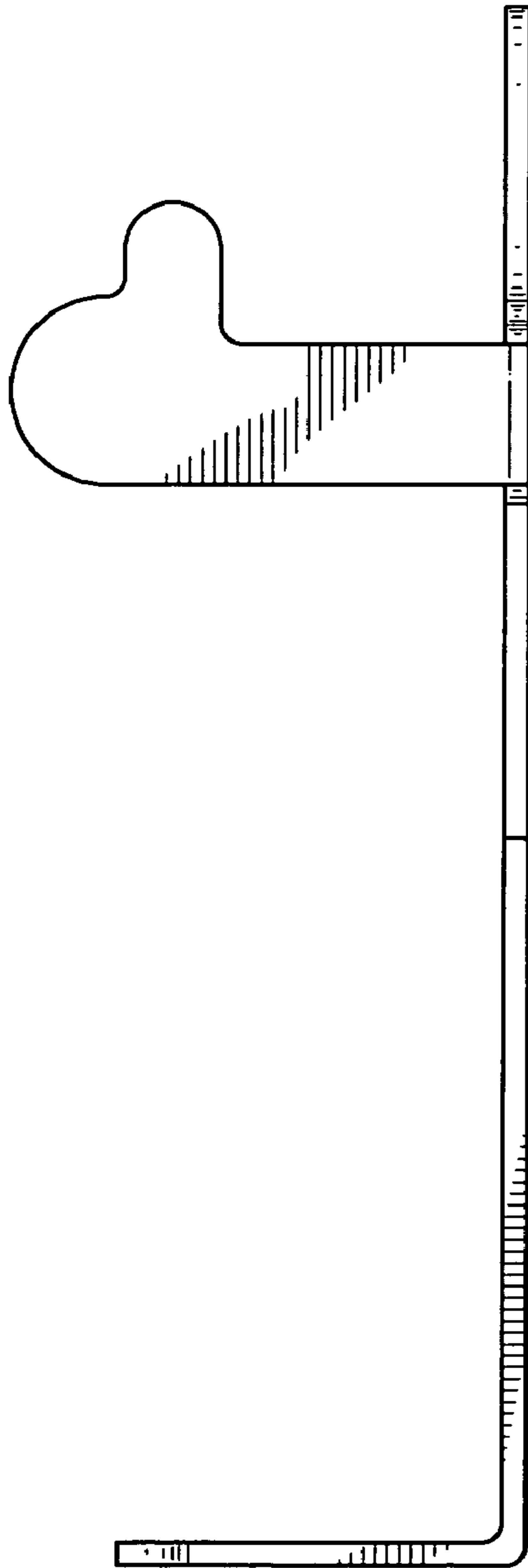


FIG. 6

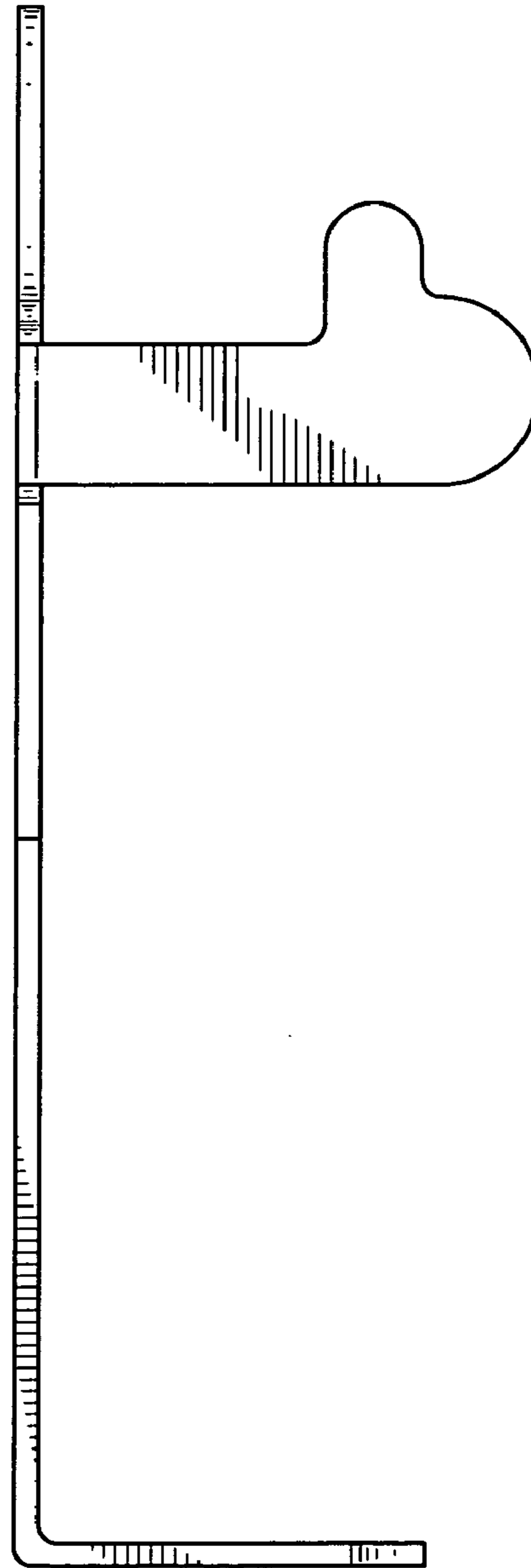


FIG. 7