



US00D677144S

(12) **United States Design Patent**
Kuschmeader et al.

(10) **Patent No.:** **US D677,144 S**
(45) **Date of Patent:** **** Mar. 5, 2013**

(54) **BOTTLE STYLE BIKE CABLE LOCK**

7,543,466 B2 * 6/2009 Loughlin et al. 70/8
D619,875 S * 7/2010 McCauley D8/333
7,870,764 B2 * 1/2011 Burmesch 70/26
8,087,269 B2 * 1/2012 Conti et al. 70/14

(76) Inventors: **Luke Kuschmeader**, Battlefield, MO
(US); **James G. Quintus**, Springfield,
MO (US)

FOREIGN PATENT DOCUMENTS

(**) Term: **14 Years**

TW M387041 8/2010

(21) Appl. No.: **29/409,722**

* cited by examiner

(22) Filed: **Dec. 28, 2011**

Primary Examiner — Prabhakar Deshmukh

(51) **LOC (9) Cl.** **08-07**

(74) *Attorney, Agent, or Firm* — Richard L. Marsh

(52) **U.S. Cl.** **D8/333; D8/330**

(57) **CLAIM**

(58) **Field of Classification Search** D8/330,
D8/339, 343, 349, 357, 382, 383, 387, 394,
D8/499, 333; 70/51, 431, 456, 18, 30, 57.1,
70/233, 14; 292/307 R, 317, 318, 323, 324,
292/325

The ornamental design for a bottle style bike cable lock, as shown and described.

See application file for complete search history.

DESCRIPTION

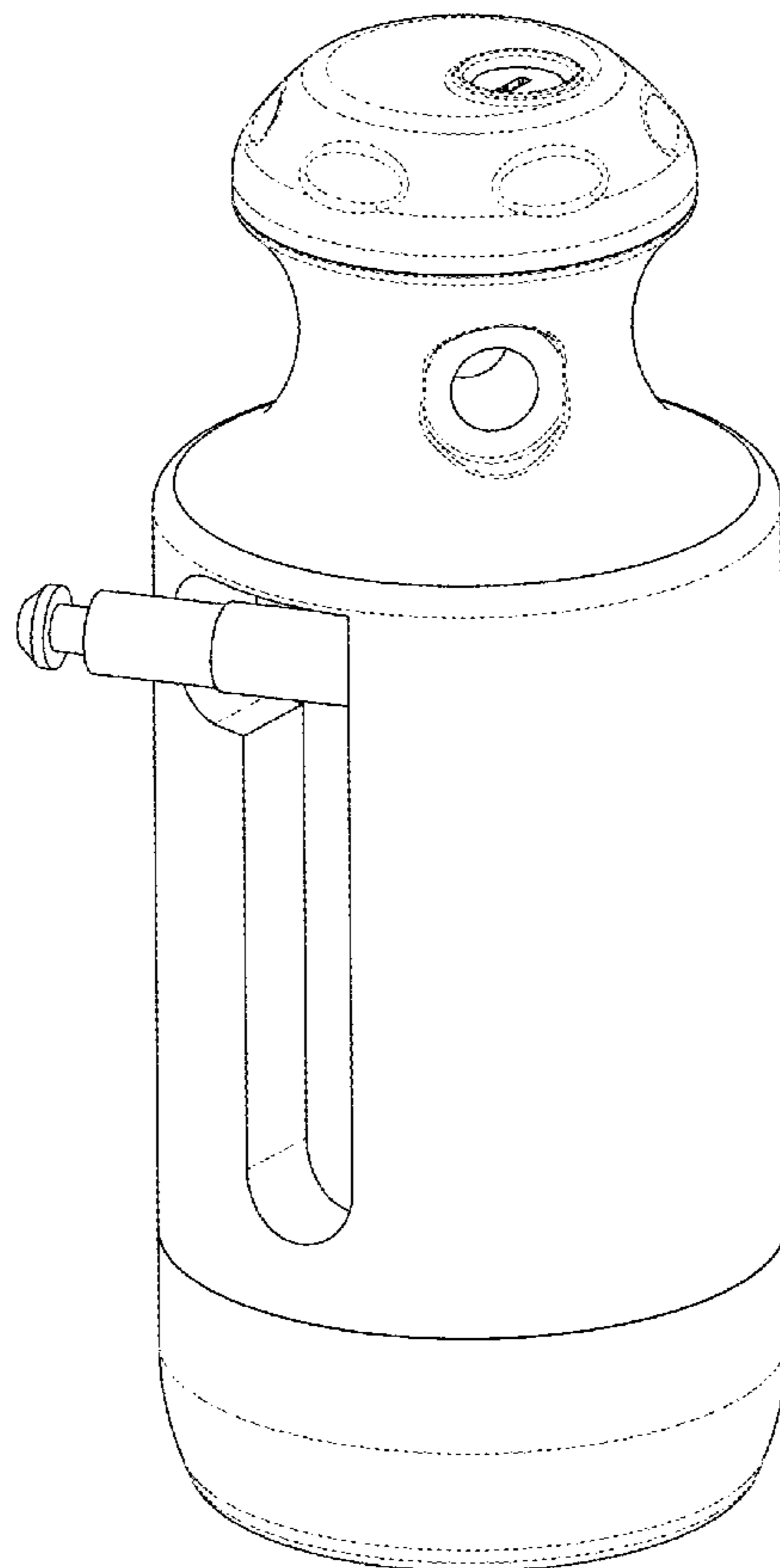
(56) **References Cited**

FIG. 1 is a left front perspective view of a bottle style bike cable lock showing our new design.
FIG. 2 is a front elevation view thereof.
FIG. 3 is a top plan view thereof.
FIG. 4 is a bottom plan view thereof.
FIG. 5 is a rear elevation view thereof.
FIG. 6 is a left side elevation view thereof; and,
FIG. 7 is a right side elevation view thereof.

U.S. PATENT DOCUMENTS

5,761,934 A * 6/1998 Kuo 70/49
7,104,093 B2 * 9/2006 Ling et al. 70/30
7,171,968 B1 * 2/2007 Olson 131/235.1
7,252,204 B1 * 8/2007 Small 215/206
D578,861 S * 10/2008 Littrell et al. D8/330

1 Claim, 7 Drawing Sheets



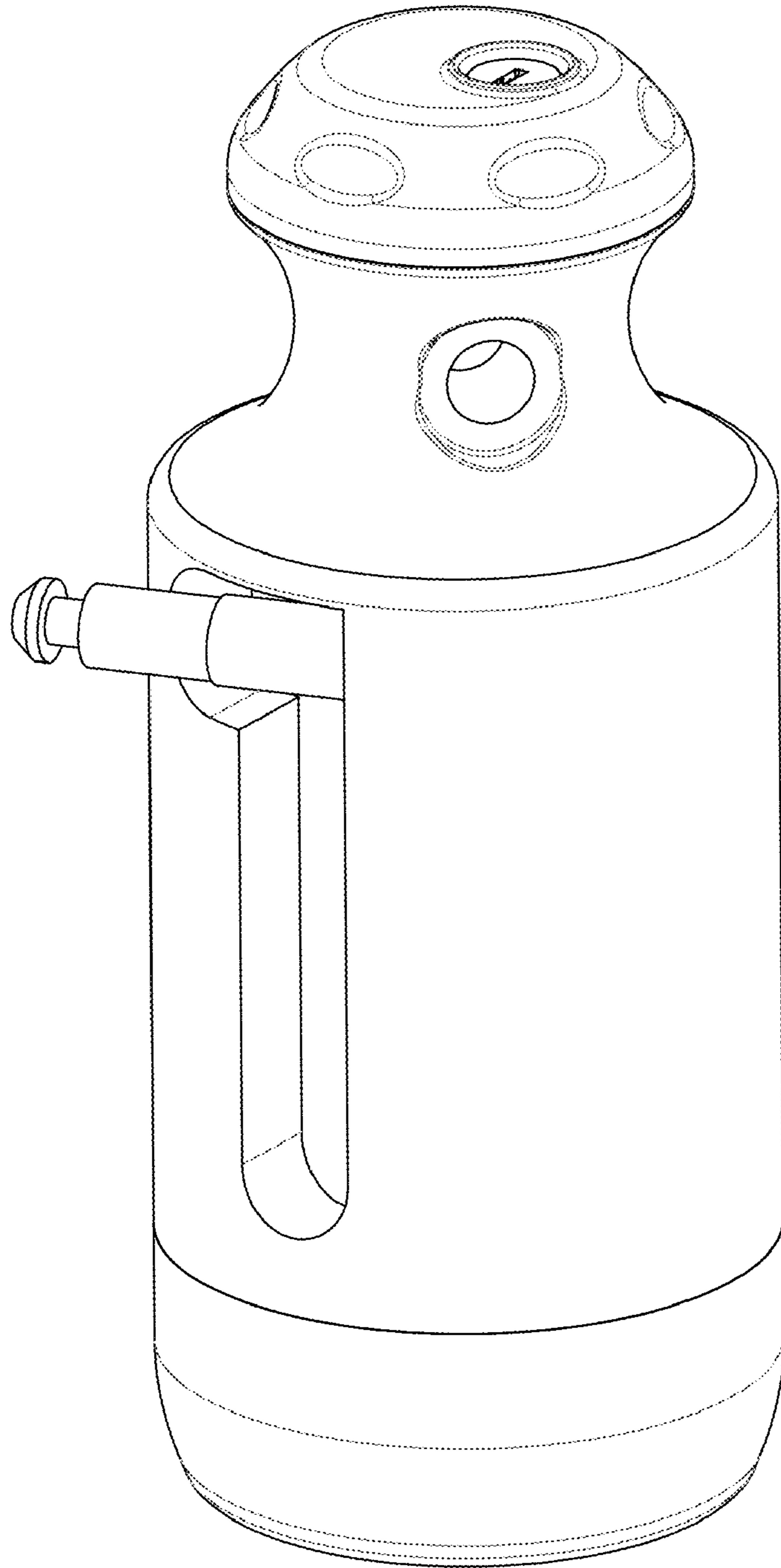


Fig. 1

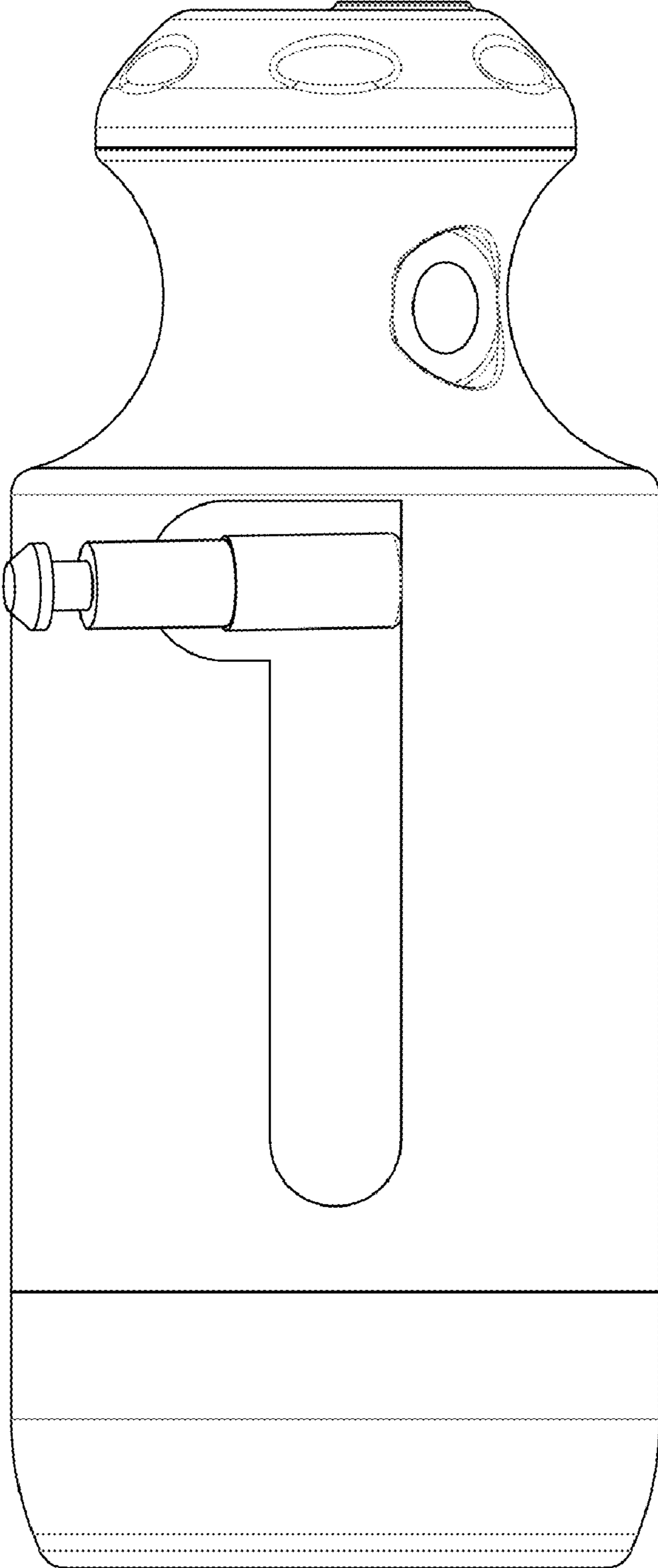


Fig. 2

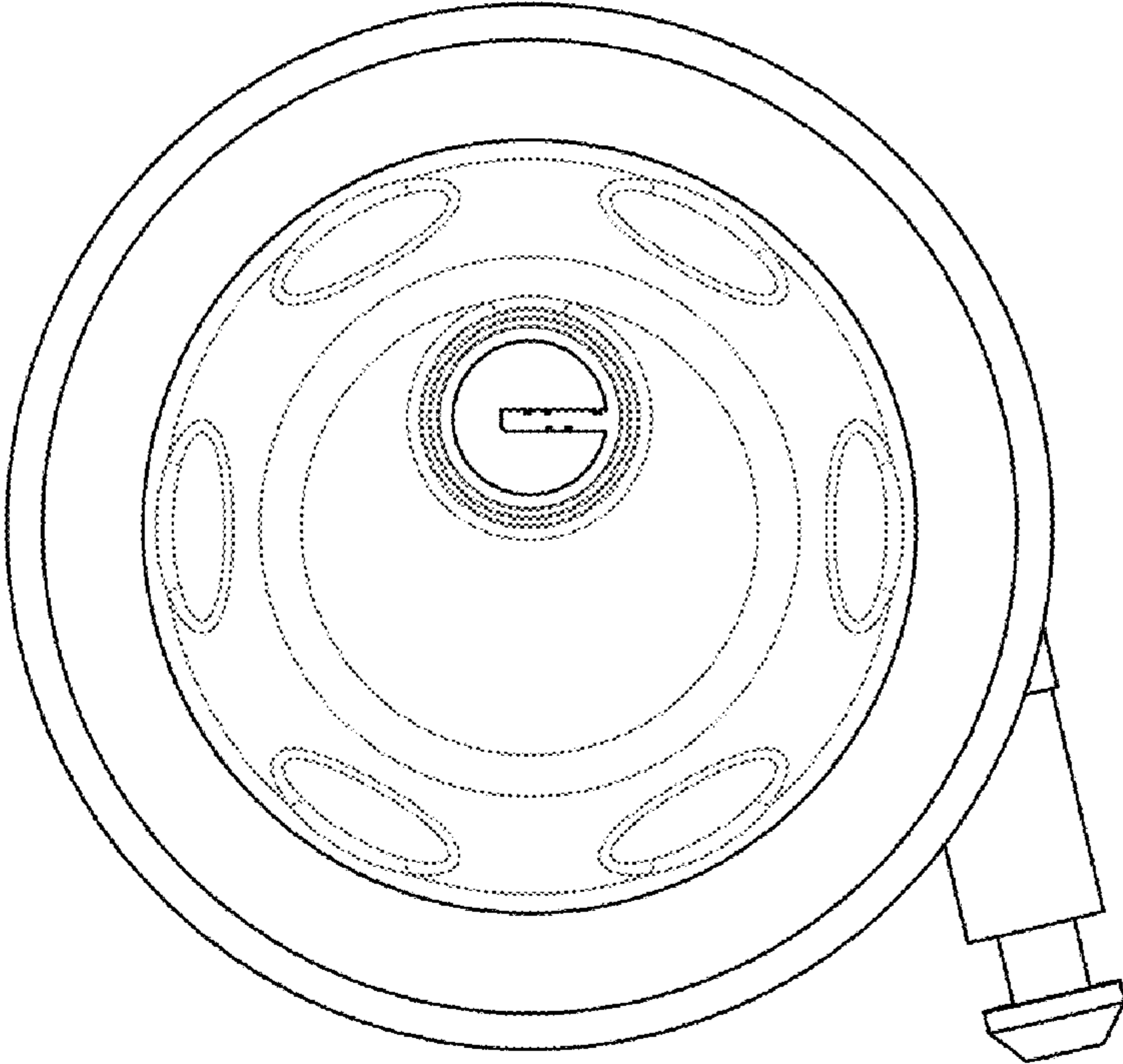


Fig. 3

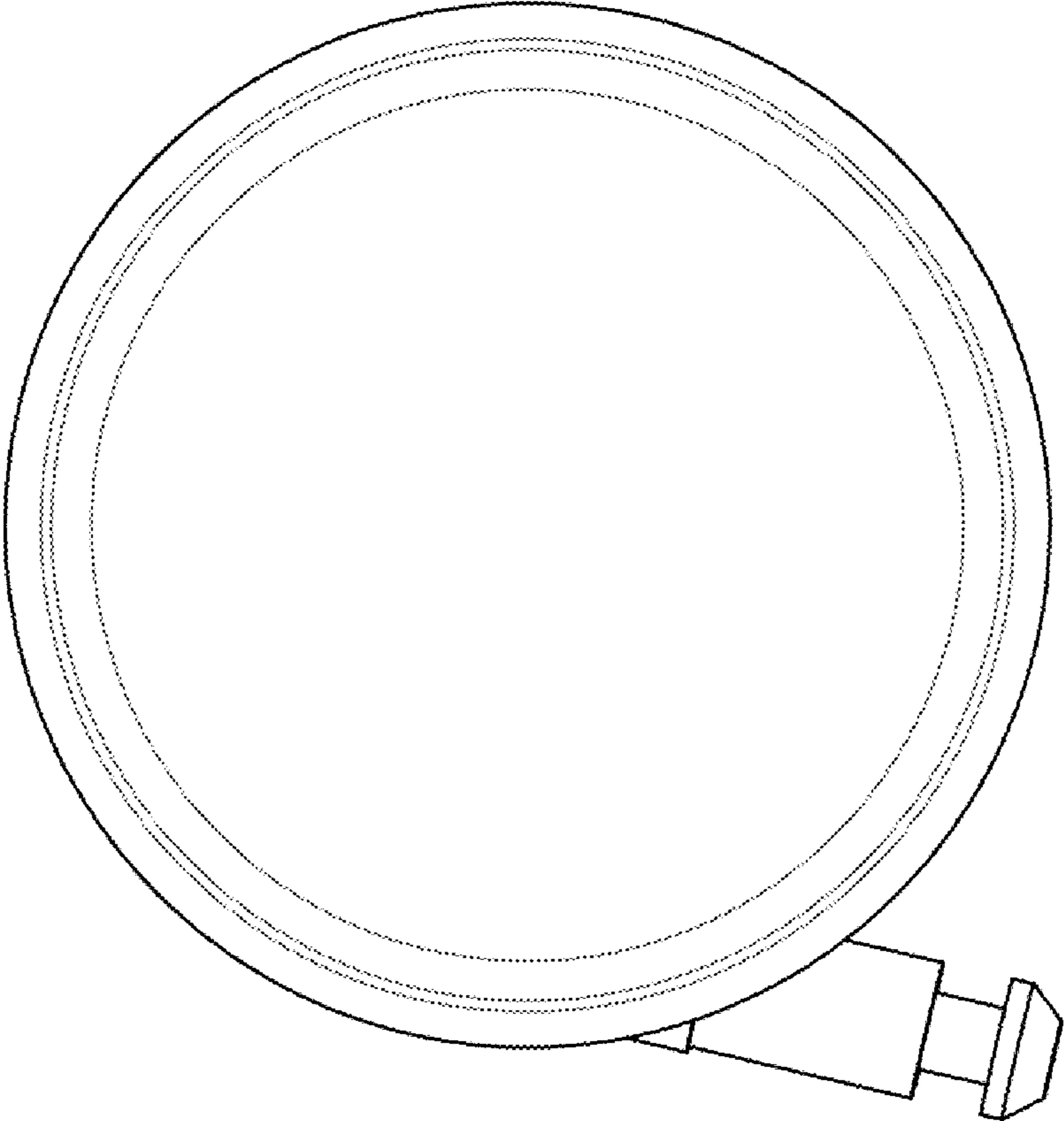


Fig. 4

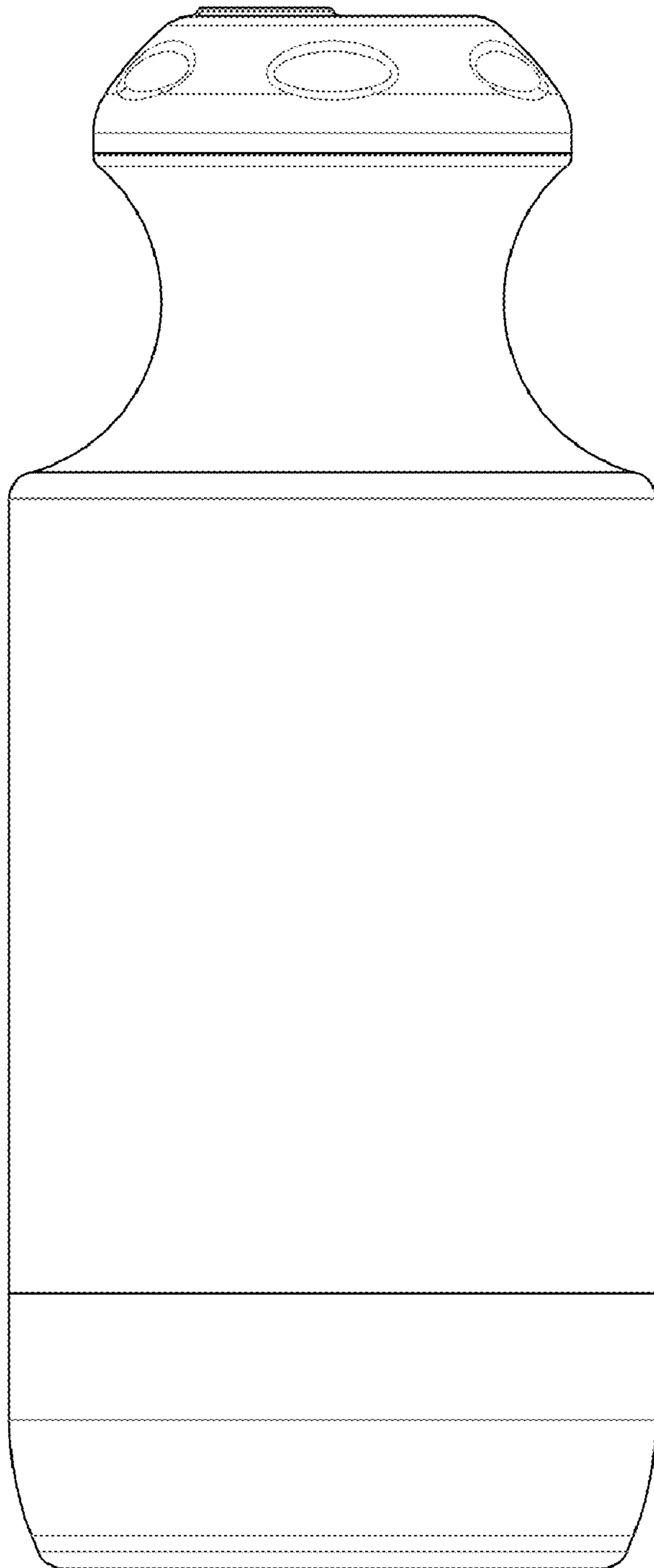


Fig. 5

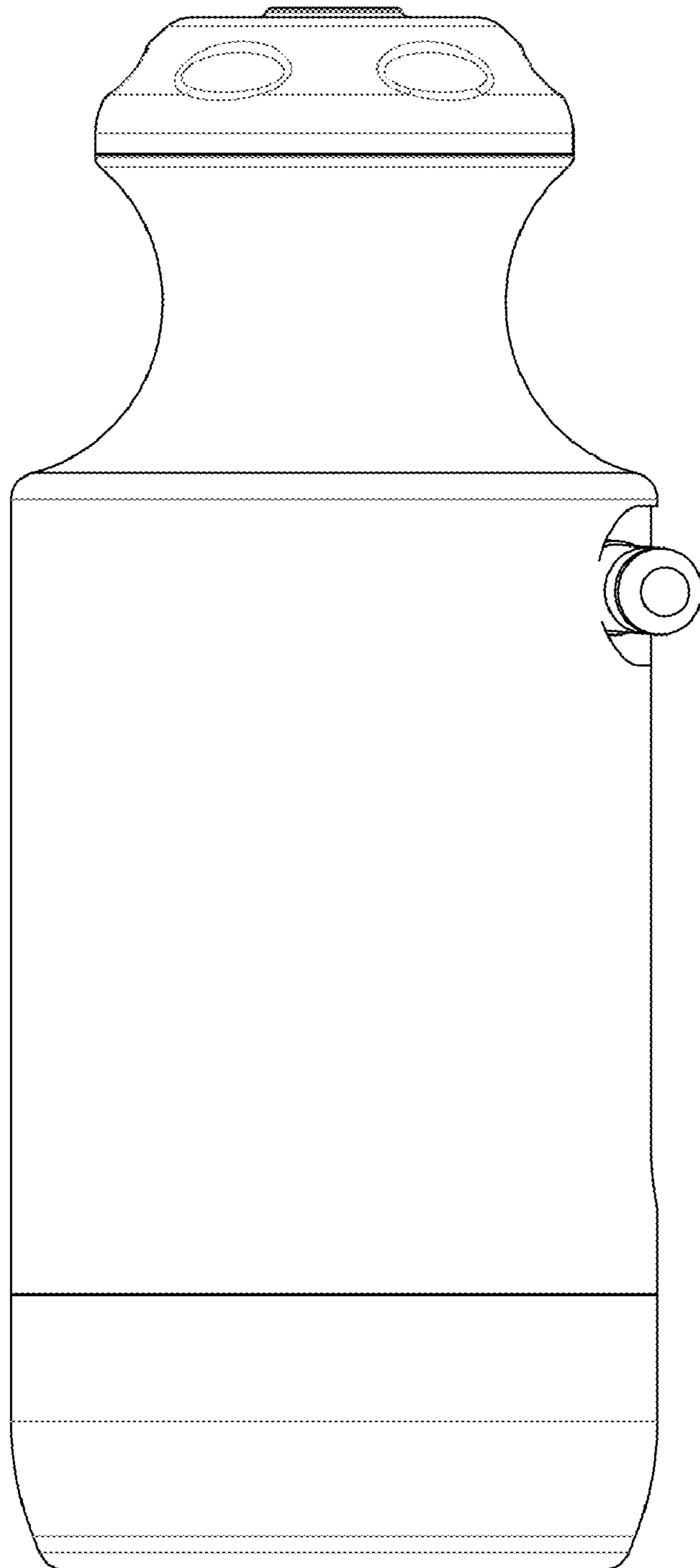


Fig. 6

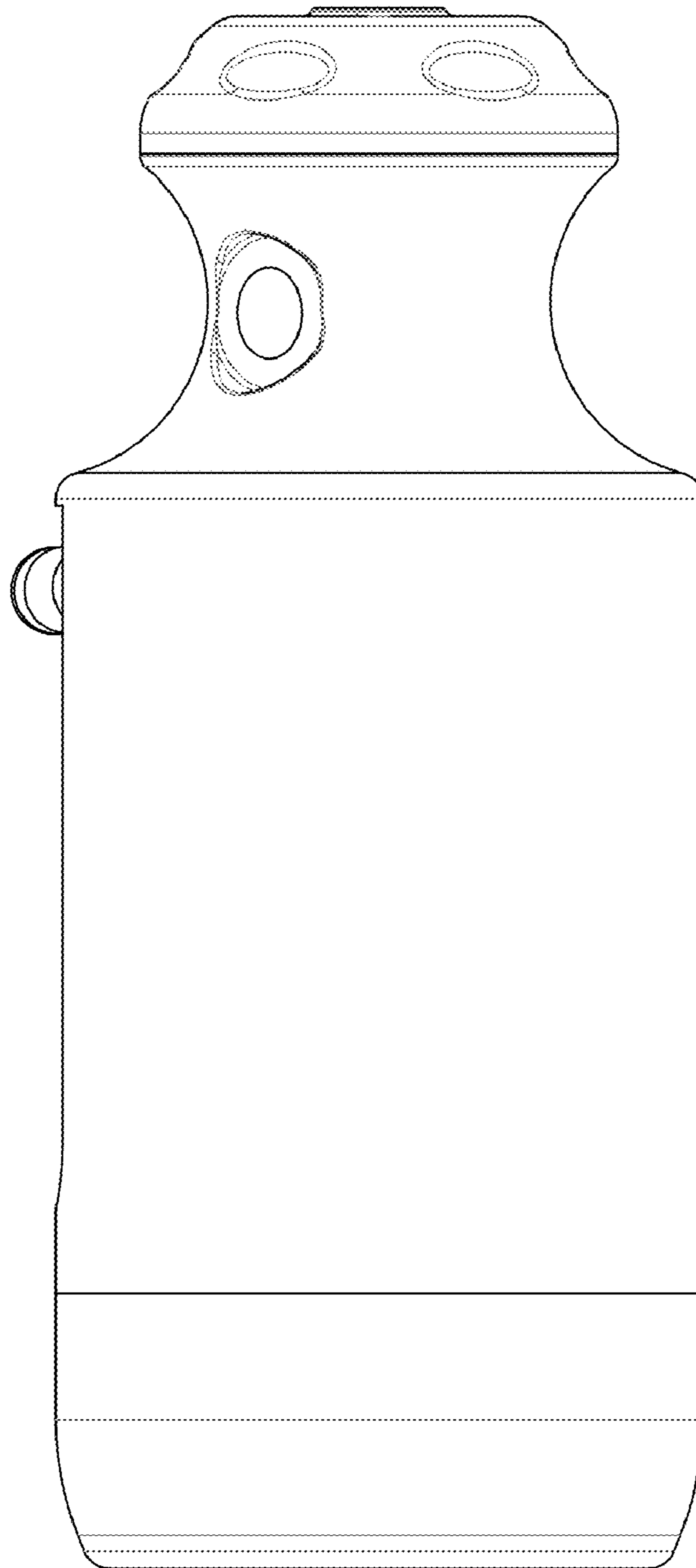


Fig. 7