



US00D677140S

(12) **United States Design Patent**
Krohmer et al.

(10) **Patent No.:** **US D677,140 S**
(45) **Date of Patent:** **** Mar. 5, 2013**

(54) **BAR CLAMP**

(75) Inventors: **Steve Donald Krohmer**, Coon Rapids, MN (US); **James Joseph Frey**, Edina, MN (US); **Daniel Patrick Banasik**, Eagan, MN (US)

(73) Assignee: **Rockler Companies, Inc.**, Medina, MN (US)

(**) Term: **14 Years**

(21) Appl. No.: **29/404,095**

(22) Filed: **Oct. 14, 2011**

(51) **LOC (9) Cl.** **08-05**

(52) **U.S. Cl.** **D8/72**

(58) **Field of Classification Search** D8/71-74, D8/394, 59; 248/62, 63, 72, 74.1, 689, 124.2; 81/487; 269/3, 4, 6, 143, 165, 240, 243, 269/246-249, 254 R, 147-149; 29/256, 29/257, 276; D15/140; 408/103, 104-109; D6/400

See application file for complete search history.

(56) **References Cited**

U.S. PATENT DOCUMENTS

D278,754 S	5/1985	Andersson et al.	
D298,078 S	10/1988	Stoker	
D309,969 S	8/1990	Tamura	
D348,816 S *	7/1994	Degen	D8/73
D375,239 S *	11/1996	Hall et al.	D8/73
D382,471 S *	8/1997	Neff	D8/394
D413,429 S *	9/1999	Carson	D8/72
D467,152 S *	12/2002	Wolff	D8/72
D473,992 S	4/2003	Hodge	
D480,617 S *	10/2003	Varzino	D8/73
D482,585 S *	11/2003	Brass et al.	D8/72
D485,739 S *	1/2004	Carrico et al.	D8/73

D523,208 S	6/2006	Inglis	
D532,577 S	11/2006	Elliott et al.	
D543,821 S *	6/2007	Ranieri	D8/73
D545,161 S *	6/2007	Ranieri	D8/72
D545,524 S	6/2007	Eriksson	
D550,923 S	9/2007	Huang	
D555,874 S	11/2007	Elliott et al.	
D556,420 S	11/2007	Trihey et al.	
D567,619 S *	4/2008	Rianda	D8/73
D591,923 S	5/2009	Freitas et al.	
D595,921 S	7/2009	Walstrom et al.	
D596,369 S	7/2009	Walstrom et al.	
D597,105 S	7/2009	Geisler et al.	
D599,524 S	9/2009	Averill et al.	
D607,706 S *	1/2010	Jastrow	D8/72
7,798,478 B2 *	9/2010	Janson et al.	269/6
D636,143 S	4/2011	Nagase et al.	
D640,442 S	6/2011	Borntrager et al.	
D657,931 S *	4/2012	Anderson et al.	D34/33

* cited by examiner

Primary Examiner — David Muller

(74) *Attorney, Agent, or Firm* — Altera Law Group, LLC

(57) **CLAIM**

The ornamental design for a bar clamp, as shown and described.

DESCRIPTION

FIG. 1 is a perspective view of the bar clamp.

FIG. 2 is a side view thereof.

FIG. 3 is the opposite side view thereof.

FIG. 4 is a top view thereof.

FIG. 5 is a bottom view thereof.

FIG. 6 is a front view thereof; and,

FIG. 7 is a back view thereof.

The broken line showing of parts of the drawings is included for the purpose of illustrating use and environment and forms no part of the claimed design.

1 Claim, 5 Drawing Sheets

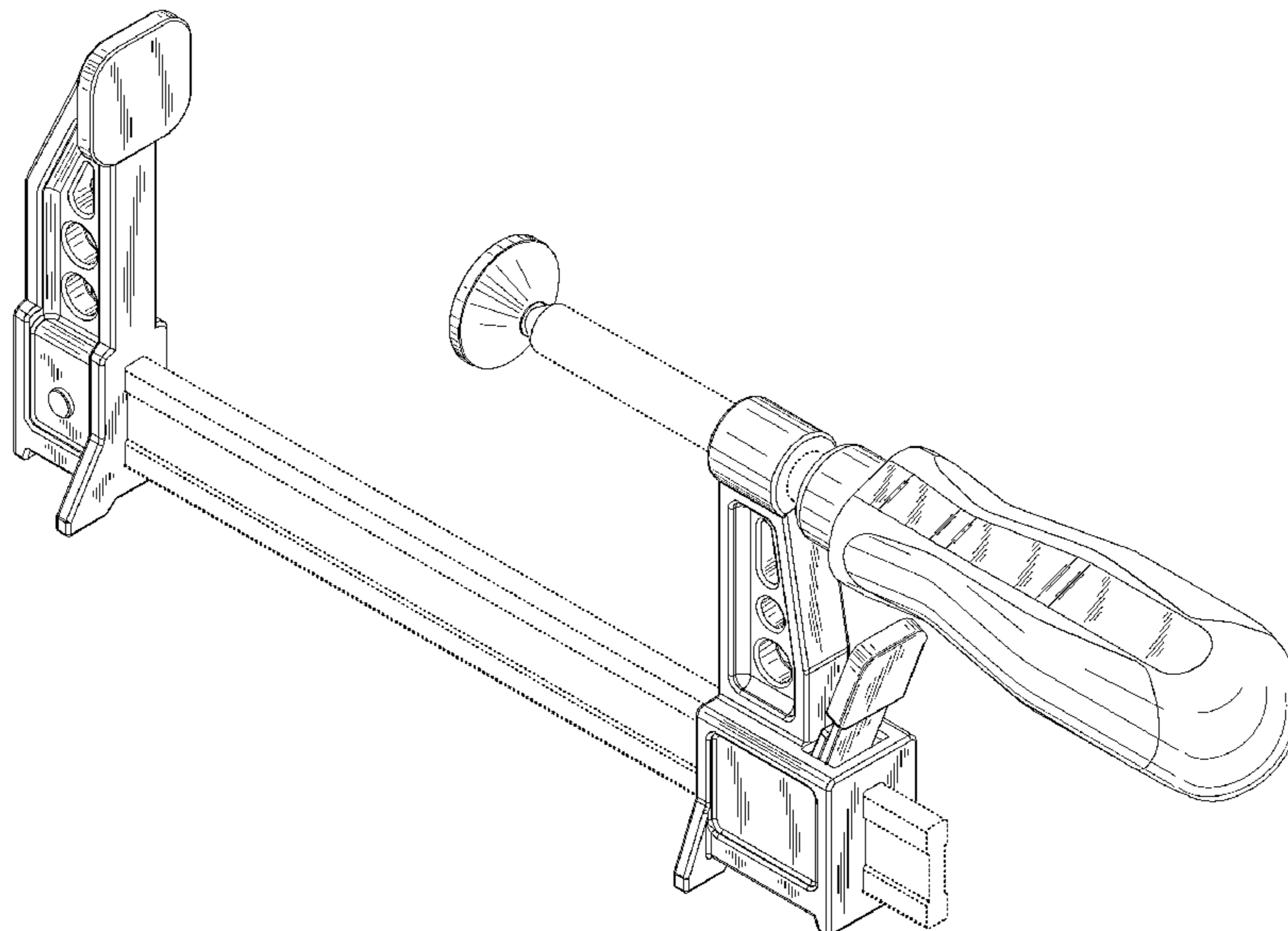
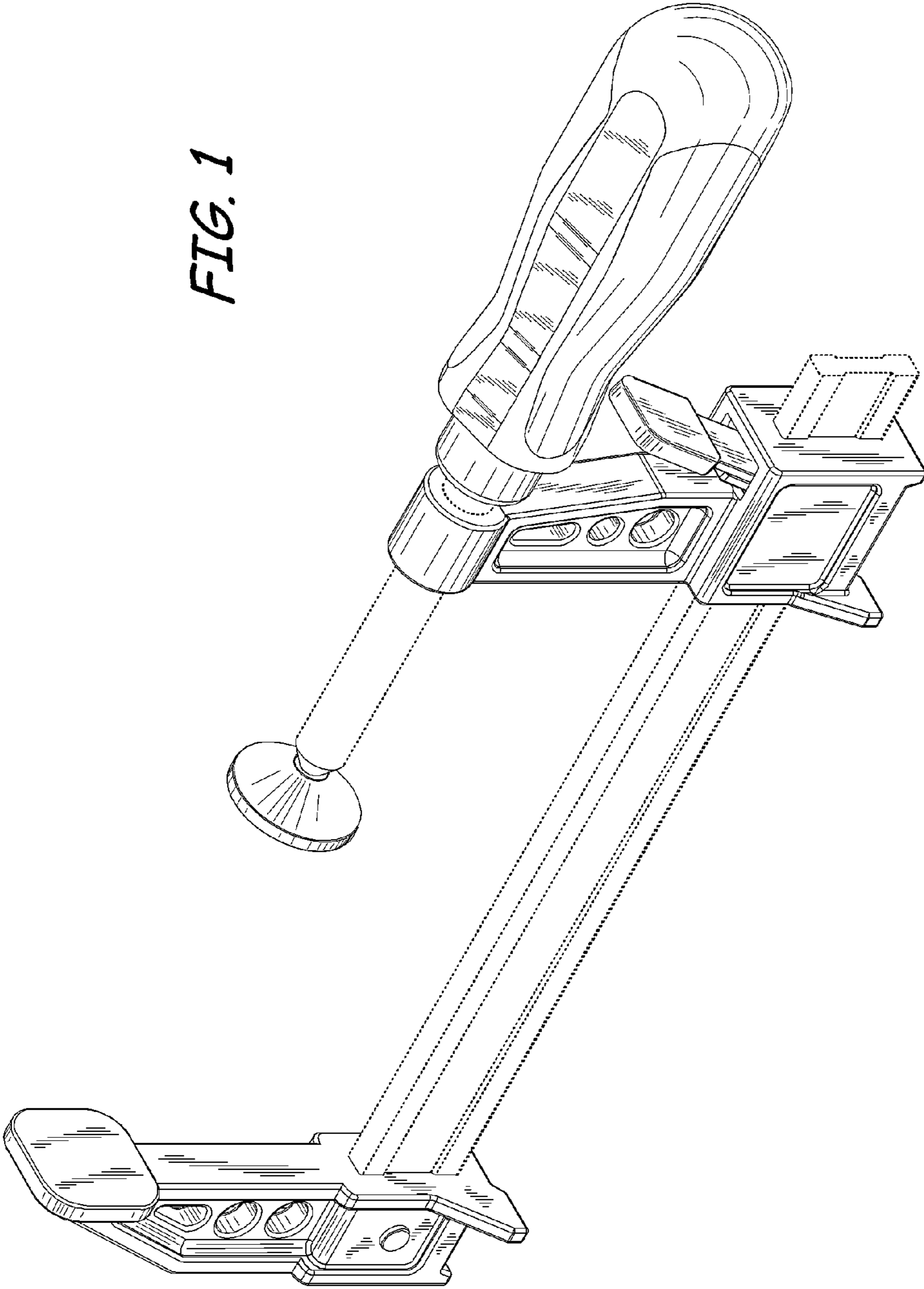


FIG. 1



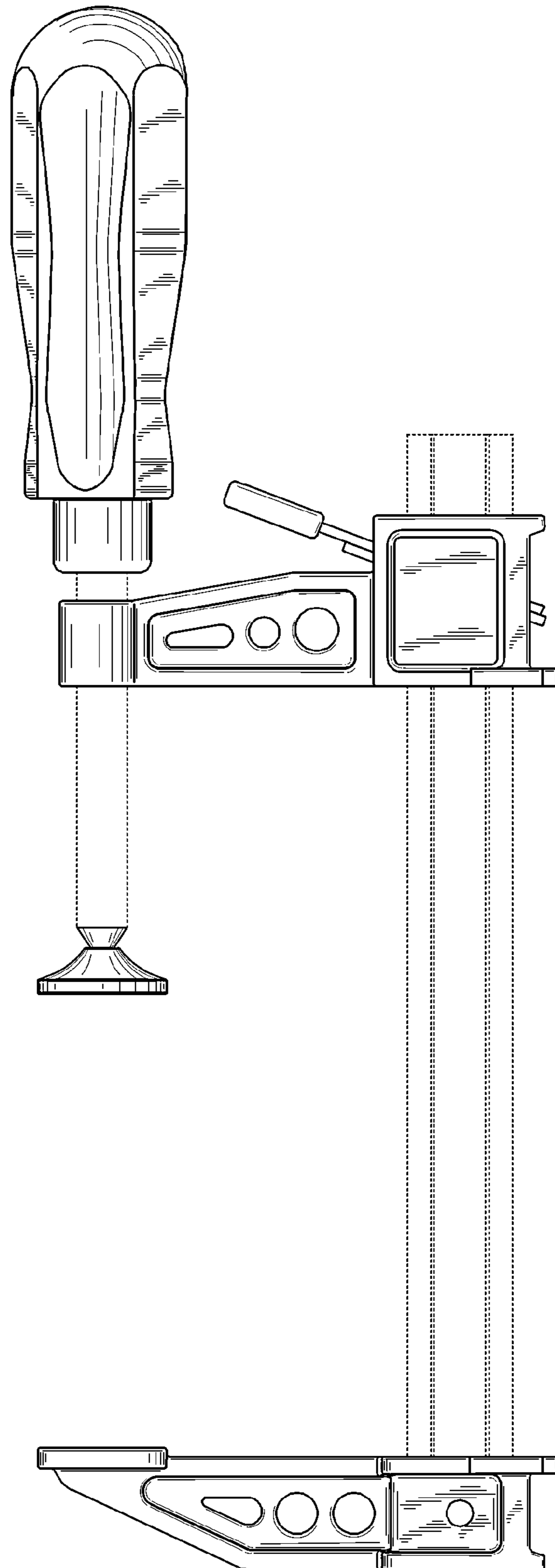


FIG. 2

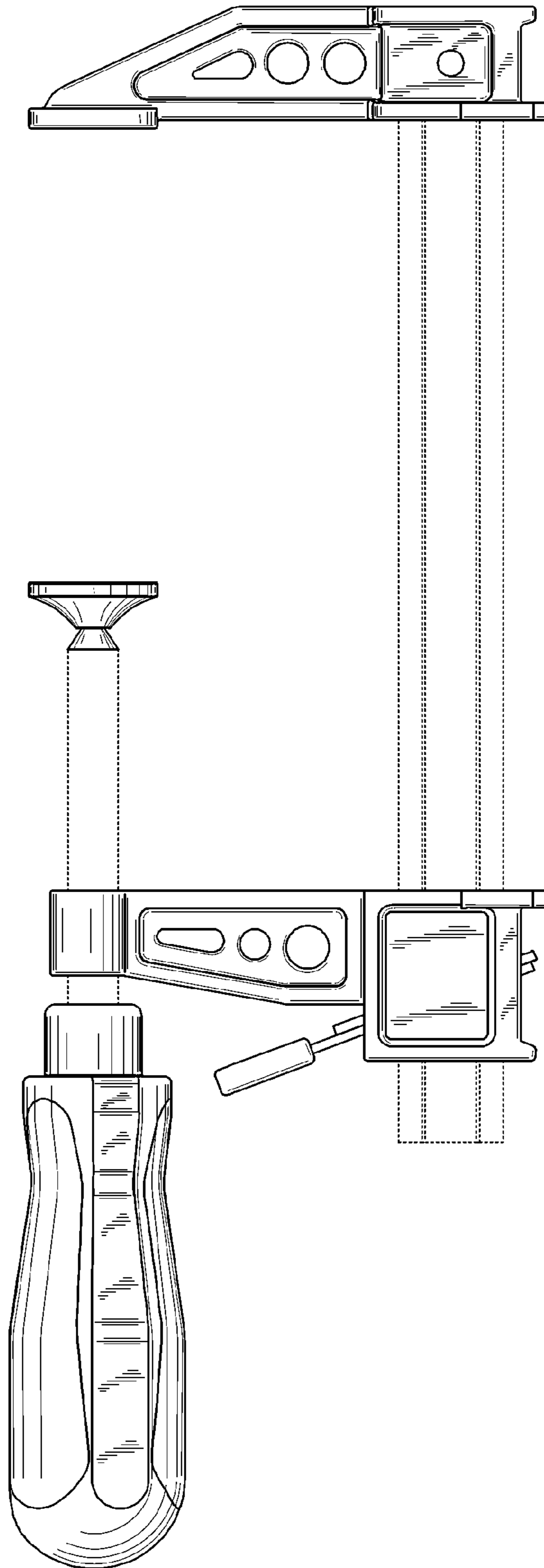


FIG. 3

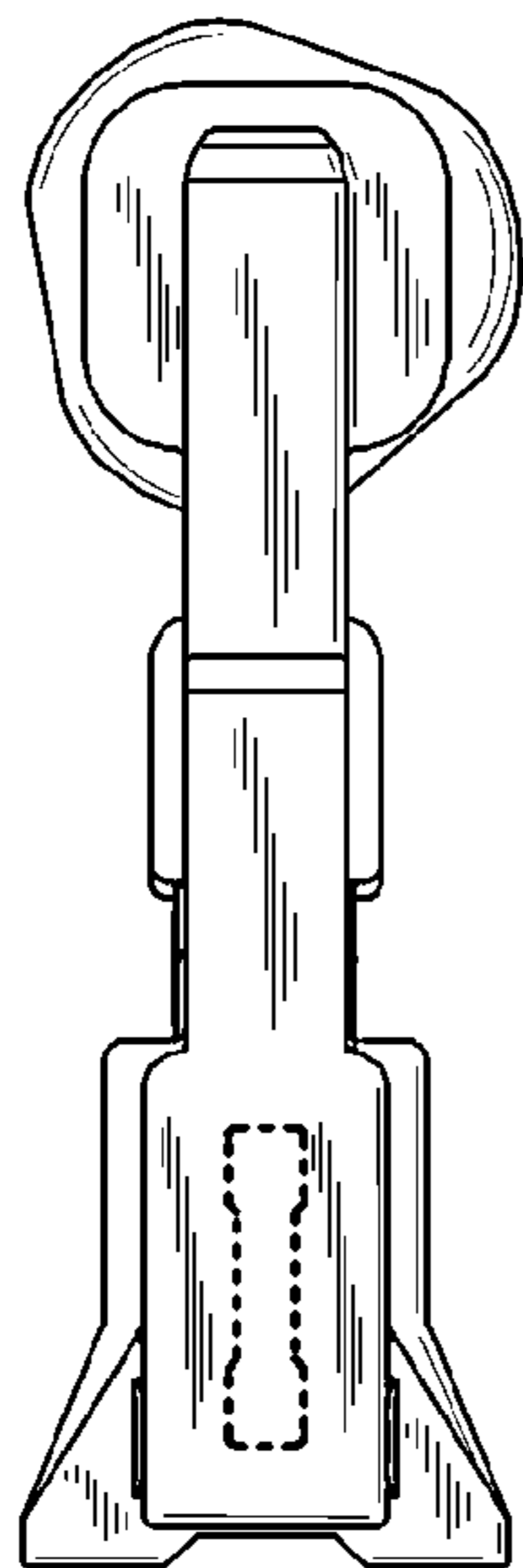


FIG. 4

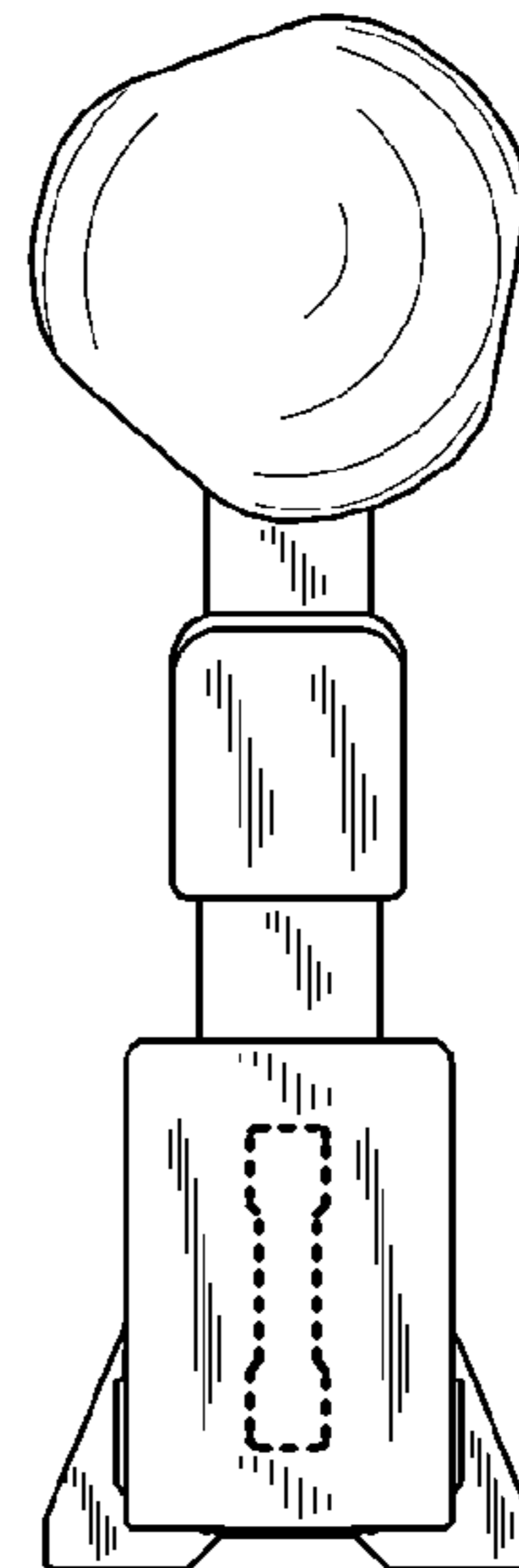


FIG. 5

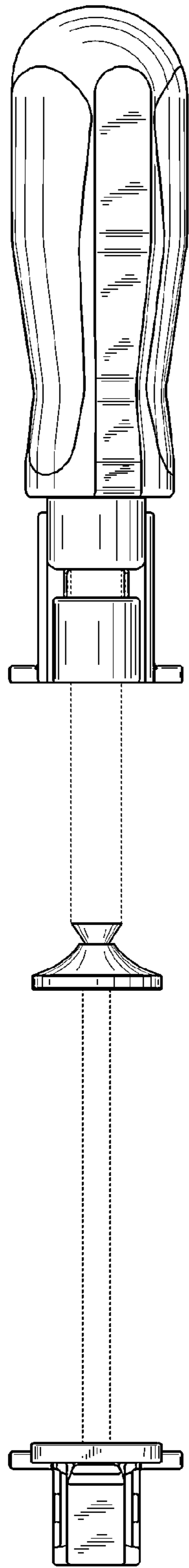


FIG. 6

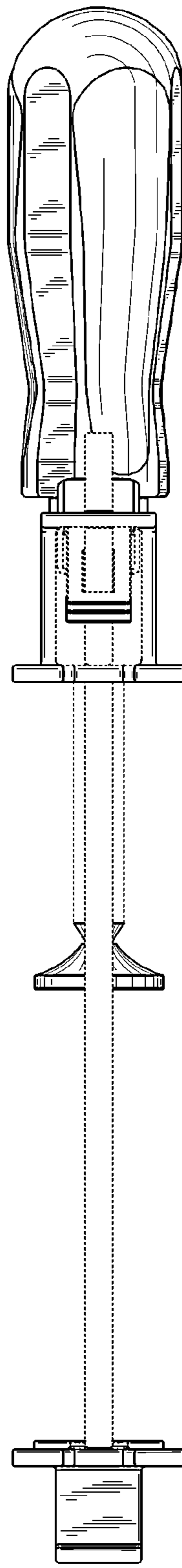


FIG. 7