



US00D677139S

(12) **United States Design Patent**
Yamamoto et al.

(10) **Patent No.:** **US D677,139 S**
(45) **Date of Patent:** **** Mar. 5, 2013**

(54) **ATTACHMENT FOR PORTABLE HAMMER DRILL**

(75) Inventors: **Yuji Yamamoto**, Aichi (JP); **Yoshitaka Machida**, Aichi (JP)

(73) Assignee: **Makita Corporation**, Anjo-shi (JP)

(**) Term: **14 Years**

(21) Appl. No.: **29/397,307**

(22) Filed: **Jul. 14, 2011**

(30) **Foreign Application Priority Data**

Mar. 16, 2011 (JP) 2011-006058

(51) **LOC (9) Cl.** **08-05**

(52) **U.S. Cl.** **D8/70**

(58) **Field of Classification Search** D8/61,
D8/69, 70; 408/58, 67; 173/75, 171, 197,
173/198, 210

See application file for complete search history.

(56) **References Cited**

U.S. PATENT DOCUMENTS

4,064,952	A *	12/1977	Lechner	175/209
D305,607	S *	1/1990	Andrews	D8/70
5,199,501	A *	4/1993	Kluber et al.	173/75
5,467,835	A *	11/1995	Obermeier et al.	175/209
5,688,082	A *	11/1997	Richardson	408/67
D499,946	S *	12/2004	Stirm	D8/70
D531,477	S *	11/2006	Aglassinger	D8/70
D538,126	S *	3/2007	Aglassinger	D8/68
7,281,886	B2 *	10/2007	Stoerig	408/67
D593,389	S *	6/2009	Clayton	D8/70
D632,943	S *	2/2011	Cabrales et al.	D8/70
7,909,114	B2 *	3/2011	Nishikawa et al.	173/75
2001/0052429	A1 *	12/2001	Frenzel et al.	175/210
2002/0141836	A1 *	10/2002	Ege et al.	408/67
2005/0180828	A1 *	8/2005	Steimel et al.	409/137

2009/0091277	A1 *	4/2009	Ontl	318/139
2009/0148246	A1 *	6/2009	Nishikawa et al.	408/58
2009/0148248	A1 *	6/2009	Nishikawa et al.	408/67
2011/0142560	A1 *	6/2011	Hahn	408/56
2011/0226499	A1 *	9/2011	Kakiuchi et al.	173/75
2011/0226502	A1 *	9/2011	Bito et al.	173/197
2011/0308830	A1 *	12/2011	Furusawa et al.	173/198
2012/0043101	A1 *	2/2012	Ishikawa et al.	173/75
2012/0234570	A1 *	9/2012	Machida et al.	173/197

FOREIGN PATENT DOCUMENTS

JP D1363038 S 6/2009

* cited by examiner

Primary Examiner — Philip S Hyder

Assistant Examiner — John T Applewhite

(74) *Attorney, Agent, or Firm* — Posz Law Group, PLC

(57) **CLAIM**

The ornamental design for an attachment for portable hammer drill, as shown and described.

DESCRIPTION

FIG. 1 is a perspective view of top, front, and right side of an attachment for portable hammer drill showing our new design;

FIG. 2 is a front view thereof;

FIG. 3 is a rear view thereof;

FIG. 4 is a top view thereof;

FIG. 5 is a bottom view thereof;

FIG. 6 is a left side view thereof;

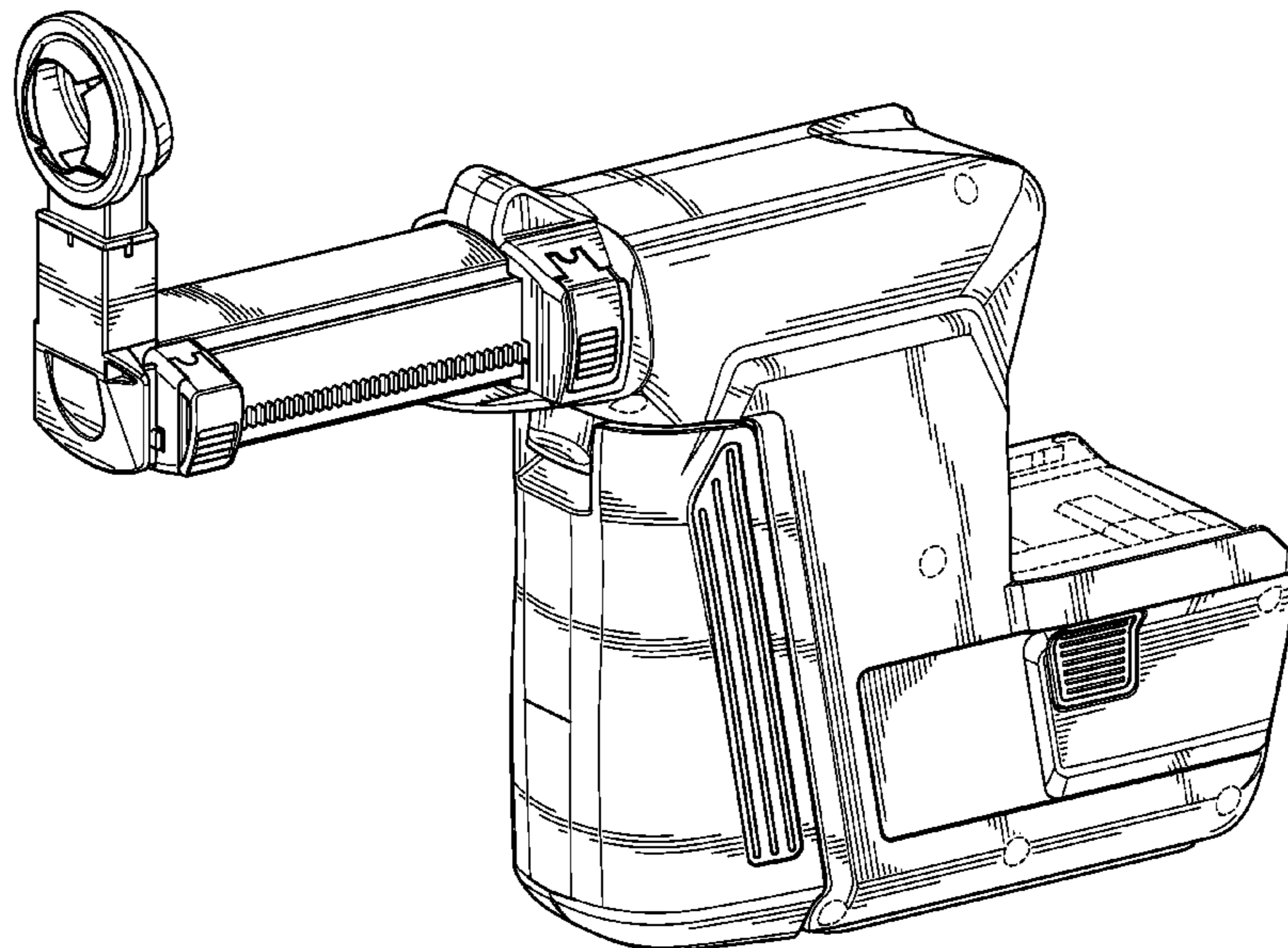
FIG. 7 is a right side view thereof;

FIG. 8 is an alternate perspective view thereof; and,

FIG. 9 is a perspective view of top, front, and right side with detachable hammer drill.

The broken lines and the areas within the broken lines are included for illustrative purposes only and form no part of the claimed design.

1 Claim, 9 Drawing Sheets



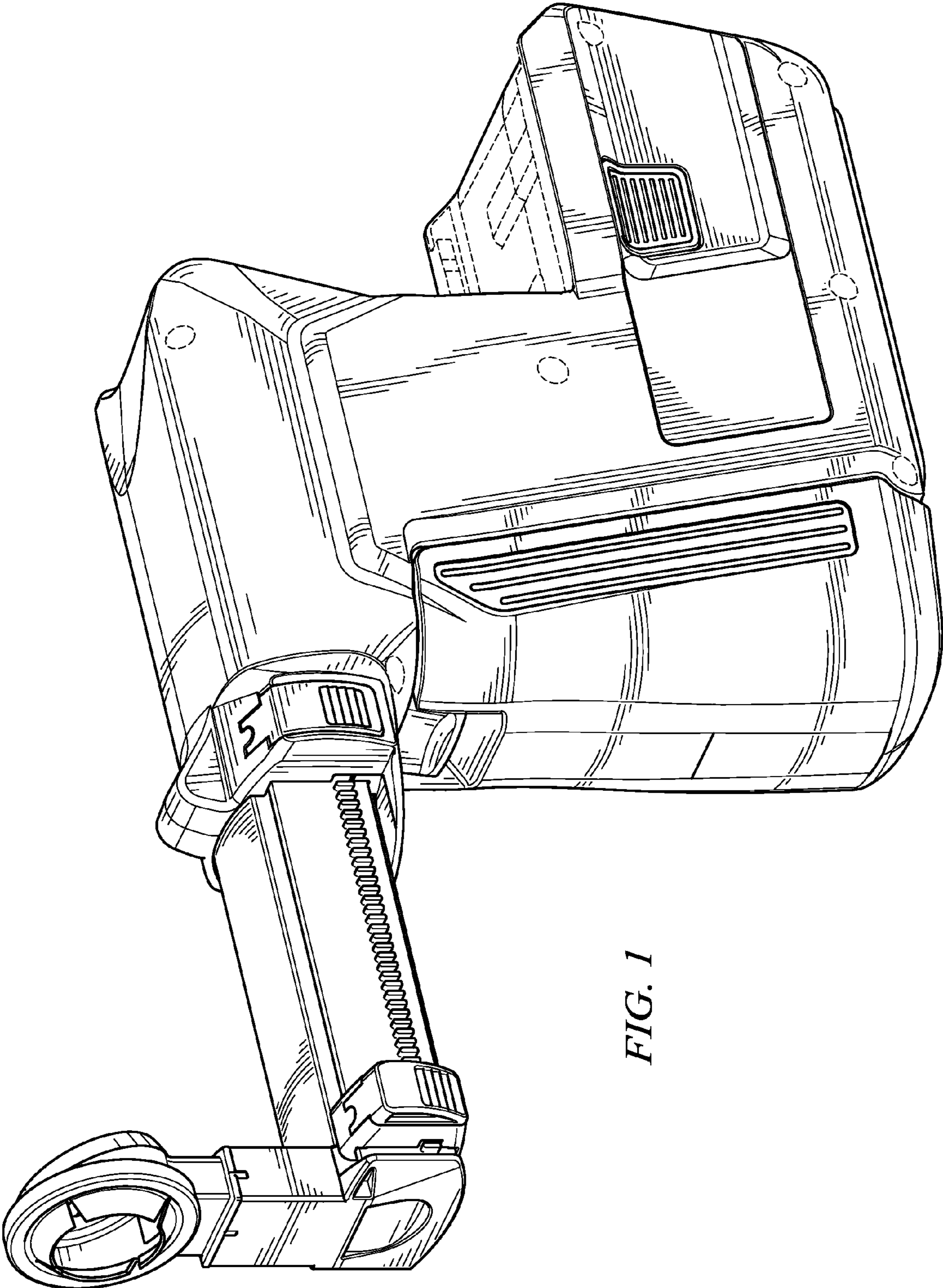


FIG. 1

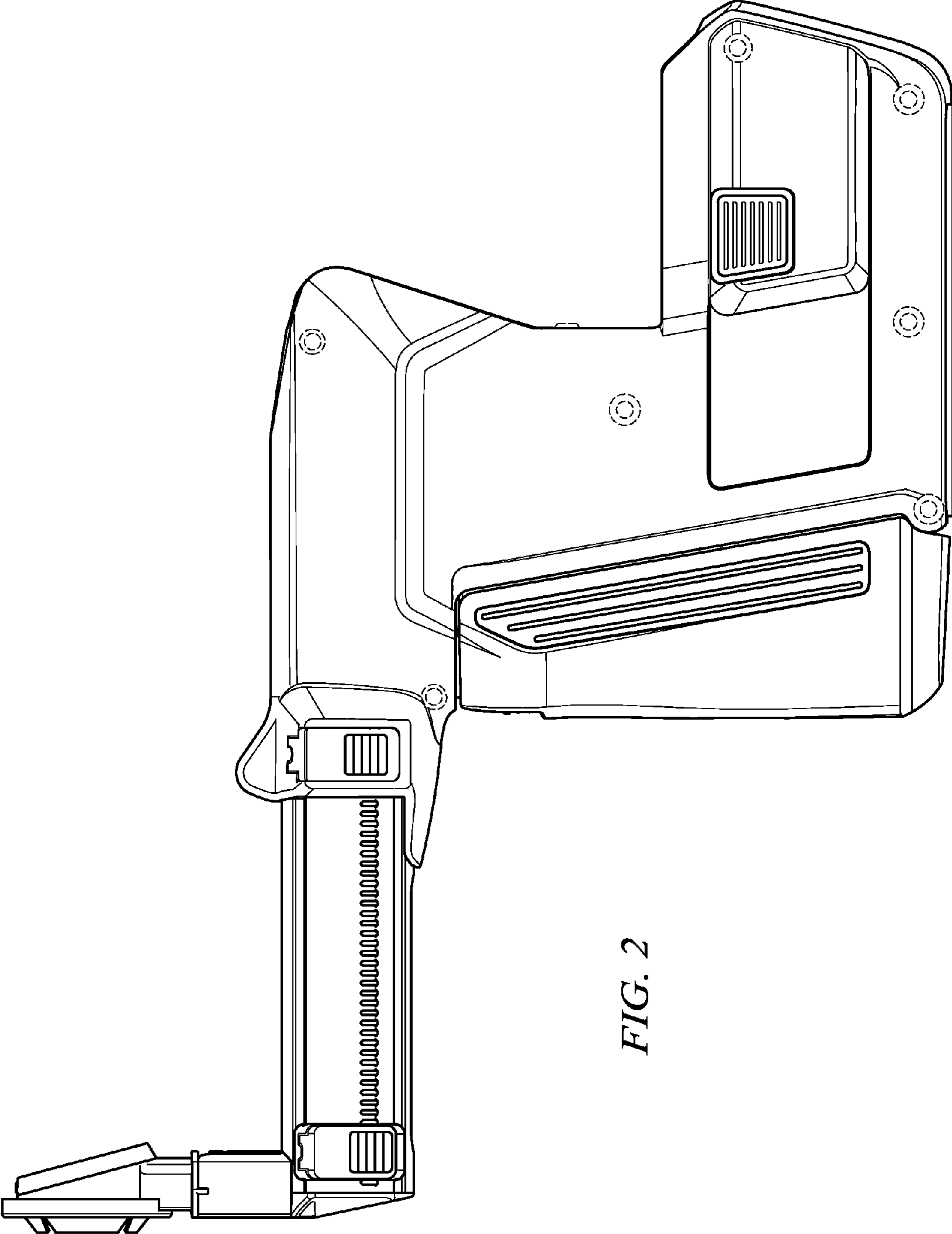
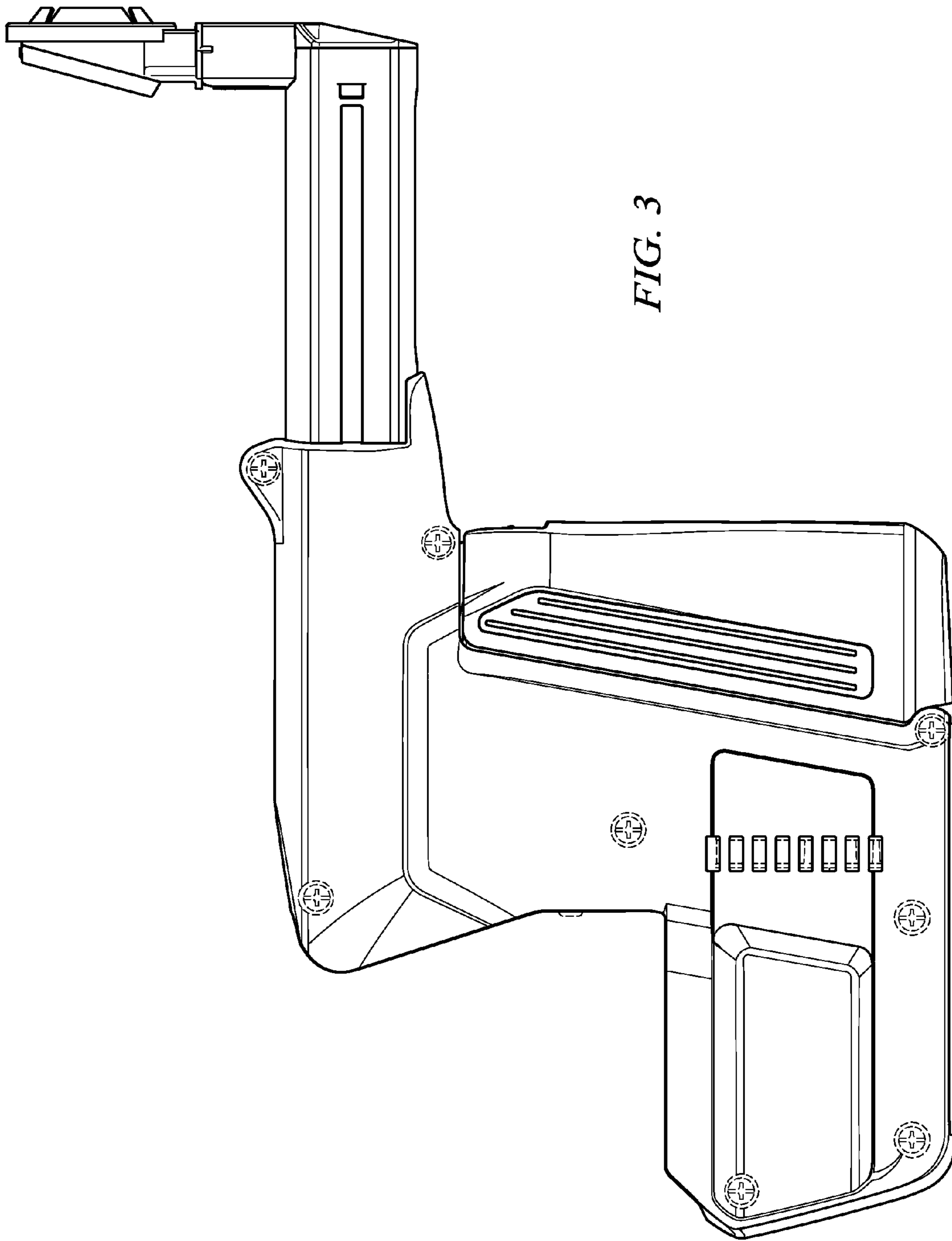


FIG. 2



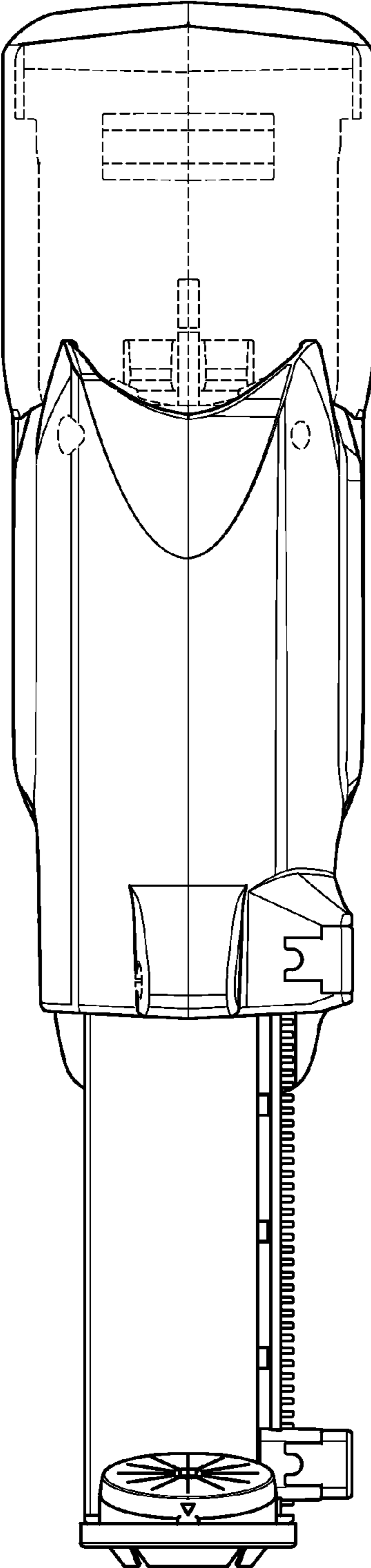


FIG. 4

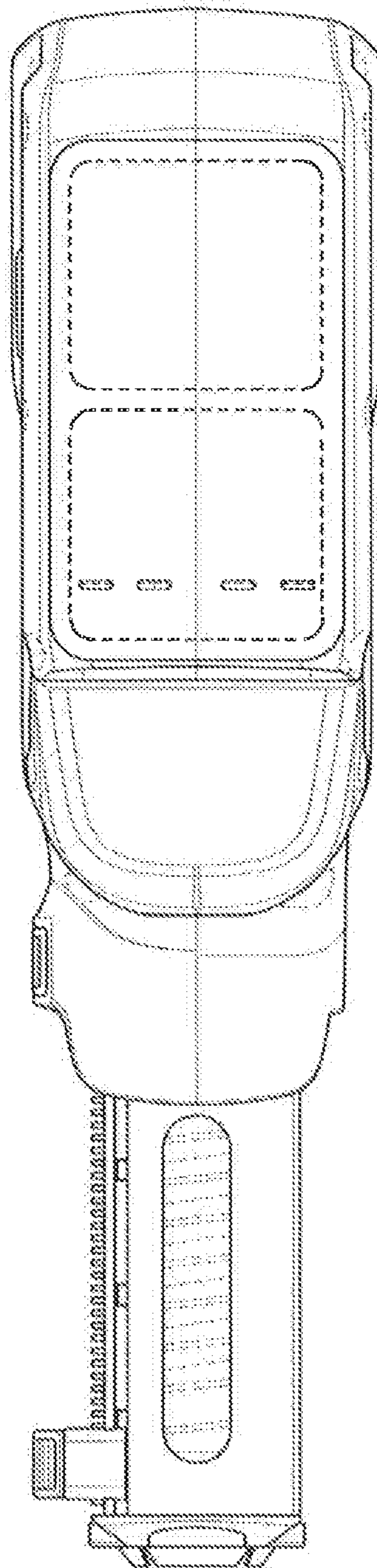


FIG. 5

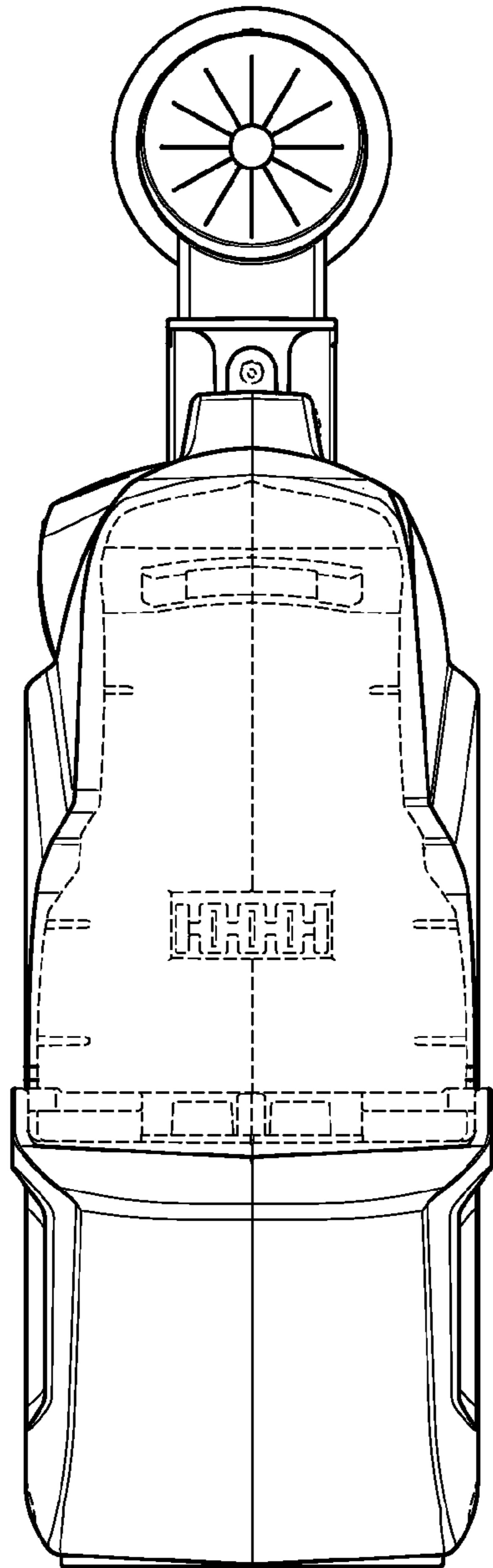


FIG. 6

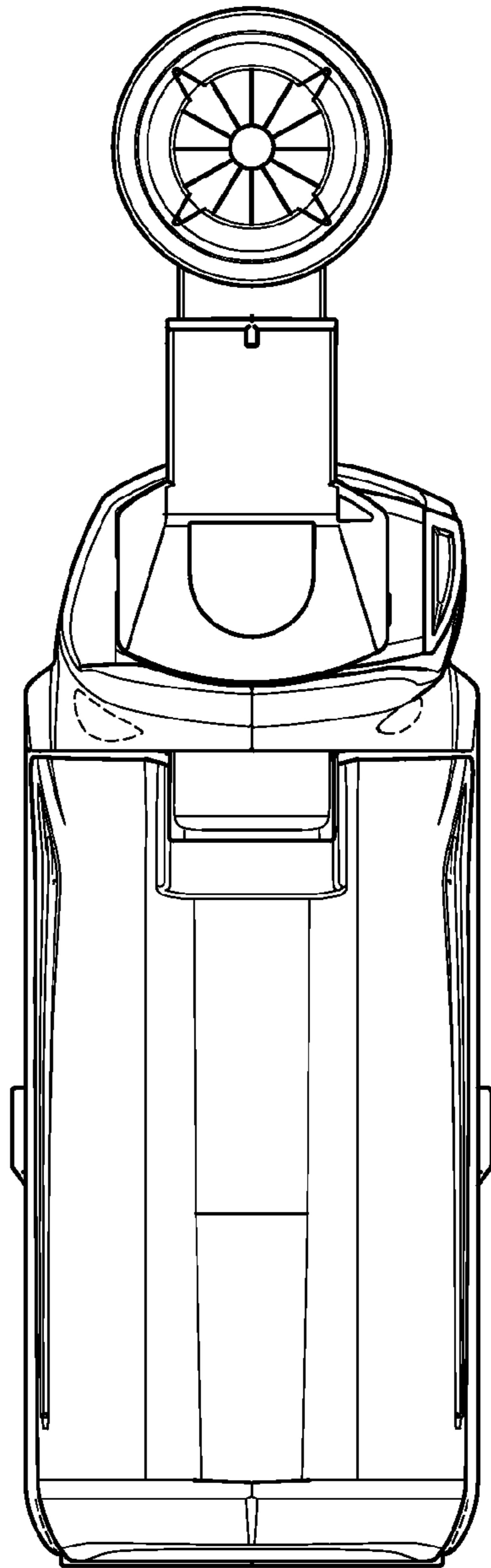


FIG. 7

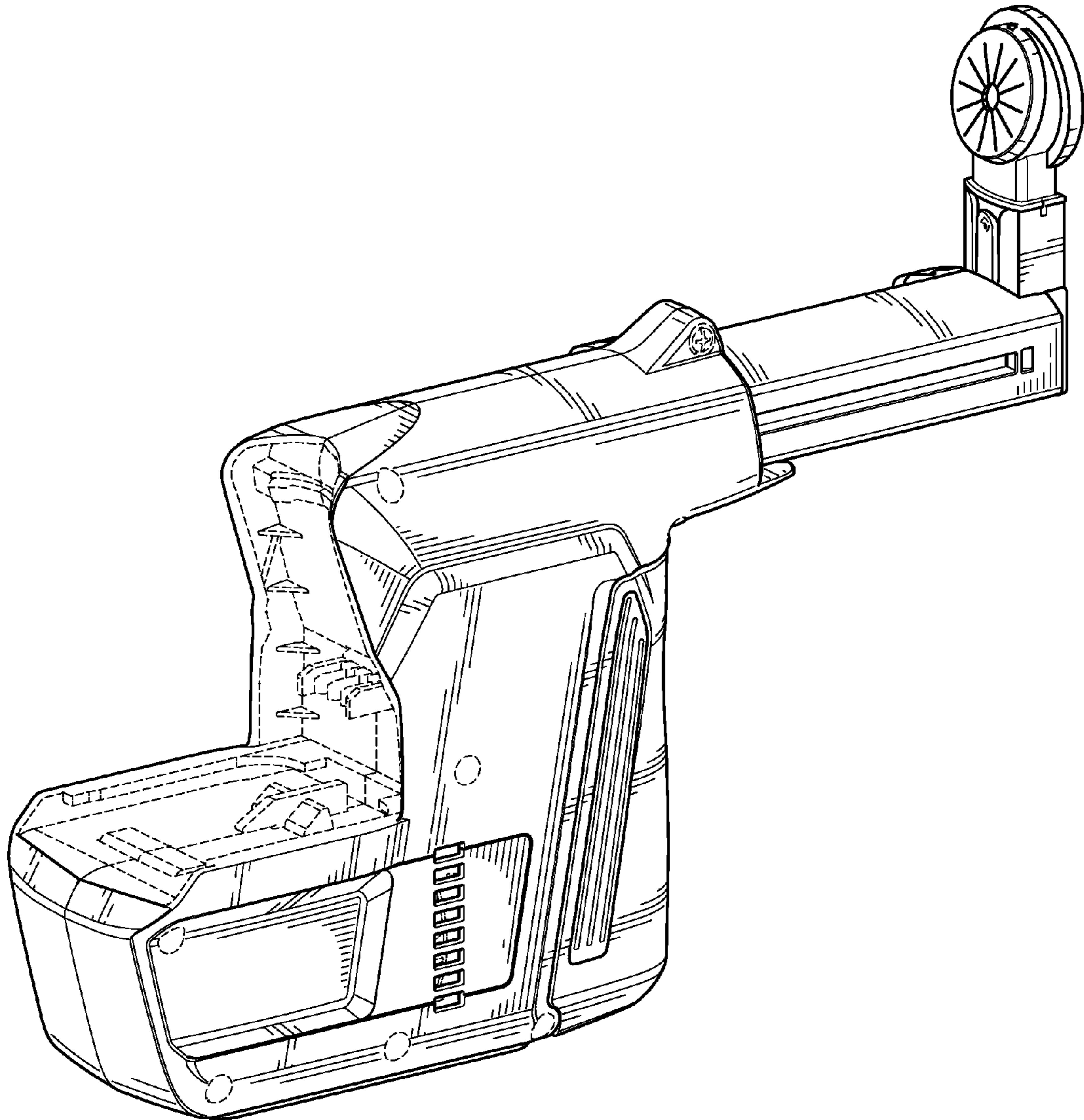


FIG. 8

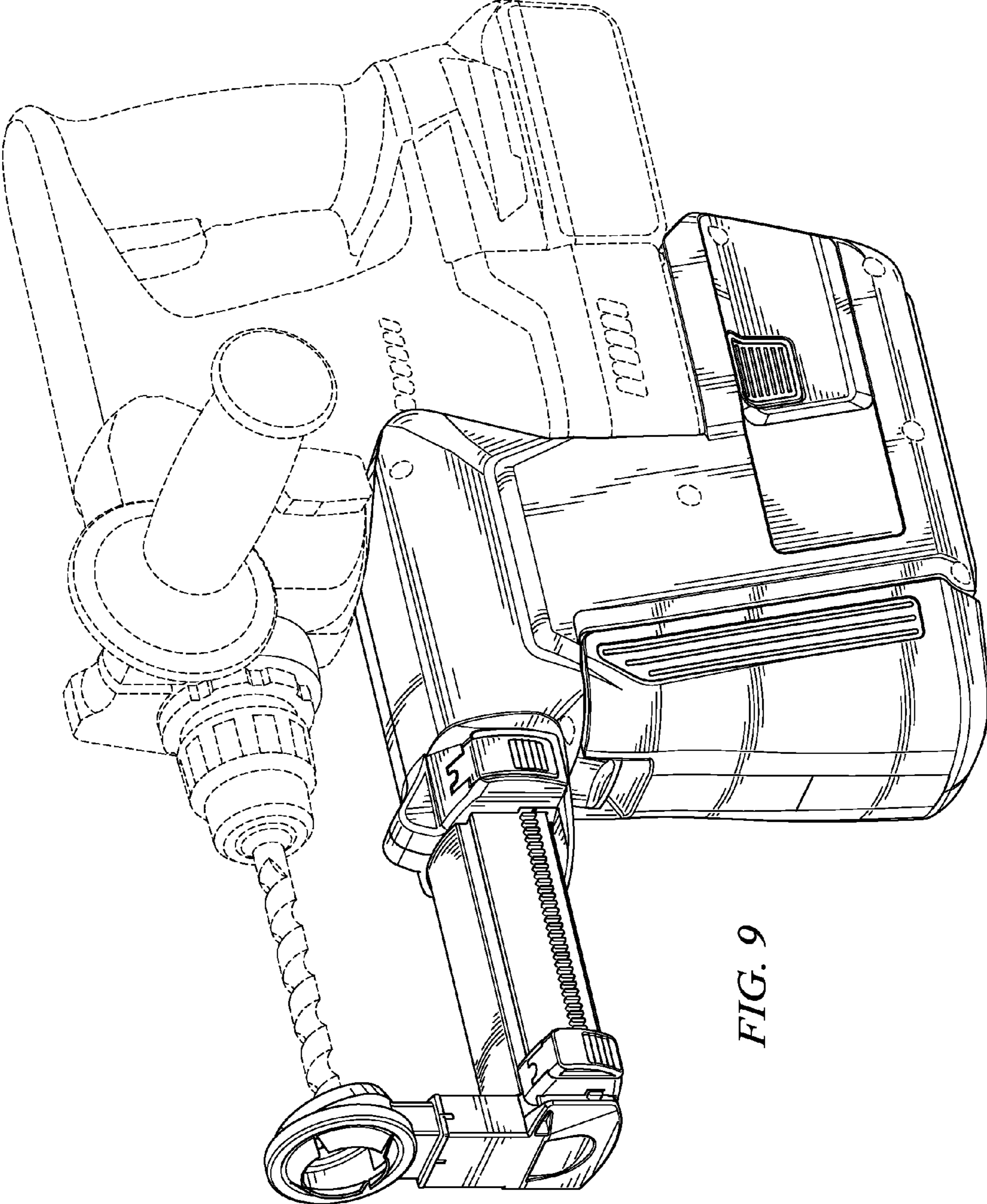


FIG. 9