



US00D677137S

(12) **United States Design Patent**  
**Kawase et al.**

(10) **Patent No.:** **US D677,137 S**  
(45) **Date of Patent:** **\*\* Mar. 5, 2013**

(54) **PORTABLE ELECTRIC DRIVER**  
(75) Inventors: **Tomonori Kawase, Anjo (JP);**  
**Ryunosuke Kumagai, Anjo (JP)**  
(73) Assignee: **Makita Corporation, Anjo-shi (JP)**  
(\*\*) Term: **14 Years**  
(21) Appl. No.: **29/411,717**  
(22) Filed: **Jan. 25, 2012**

(30) **Foreign Application Priority Data**  
Aug. 10, 2011 (JP) ..... 2011-18271  
(51) **LOC (9) Cl.** ..... **08-04**  
(52) **U.S. Cl.** ..... **D8/68**  
(58) **Field of Classification Search** ..... D8/61,  
D8/68; 173/46, 132, 170, 171, 178, 217;  
310/50; 408/124  
See application file for complete search history.

(56) **References Cited**  
U.S. PATENT DOCUMENTS  
D484,385 S \* 12/2003 Sakai et al. .... D8/68  
D493,344 S \* 7/2004 Watson ..... D8/68  
D494,435 S \* 8/2004 Hayakawa et al. .... D8/68  
D503,879 S \* 4/2005 Watson ..... D8/68  
D508,642 S \* 8/2005 Kokawa et al. .... D8/68  
D512,891 S \* 12/2005 Aglassinger ..... D8/68  
D514,910 S \* 2/2006 Nagasaka et al. .... D8/68  
D519,808 S \* 5/2006 Otsuka et al. .... D8/68  
D520,834 S \* 5/2006 Furuta et al. .... D8/68  
D524,136 S \* 7/2006 Taniguchi et al. .... D8/68  
D525,099 S \* 7/2006 Nagasaka et al. .... D8/68  
D554,962 S \* 11/2007 Ino ..... D8/68  
D567,615 S \* 4/2008 Taniguchi et al. .... D8/68  
D577,558 S \* 9/2008 Taniguchi et al. .... D8/68  
D578,854 S \* 10/2008 Lopano ..... D8/68  
D585,716 S \* 2/2009 Taniguchi et al. .... D8/68  
D605,490 S \* 12/2009 Aglassinger ..... D8/68  
D606,376 S \* 12/2009 Okuda et al. .... D8/68  
D610,421 S \* 2/2010 Taniguchi et al. .... D8/68  
D614,468 S \* 4/2010 Aglassinger ..... D8/68  
D628,038 S \* 11/2010 Aoki et al. .... D8/68

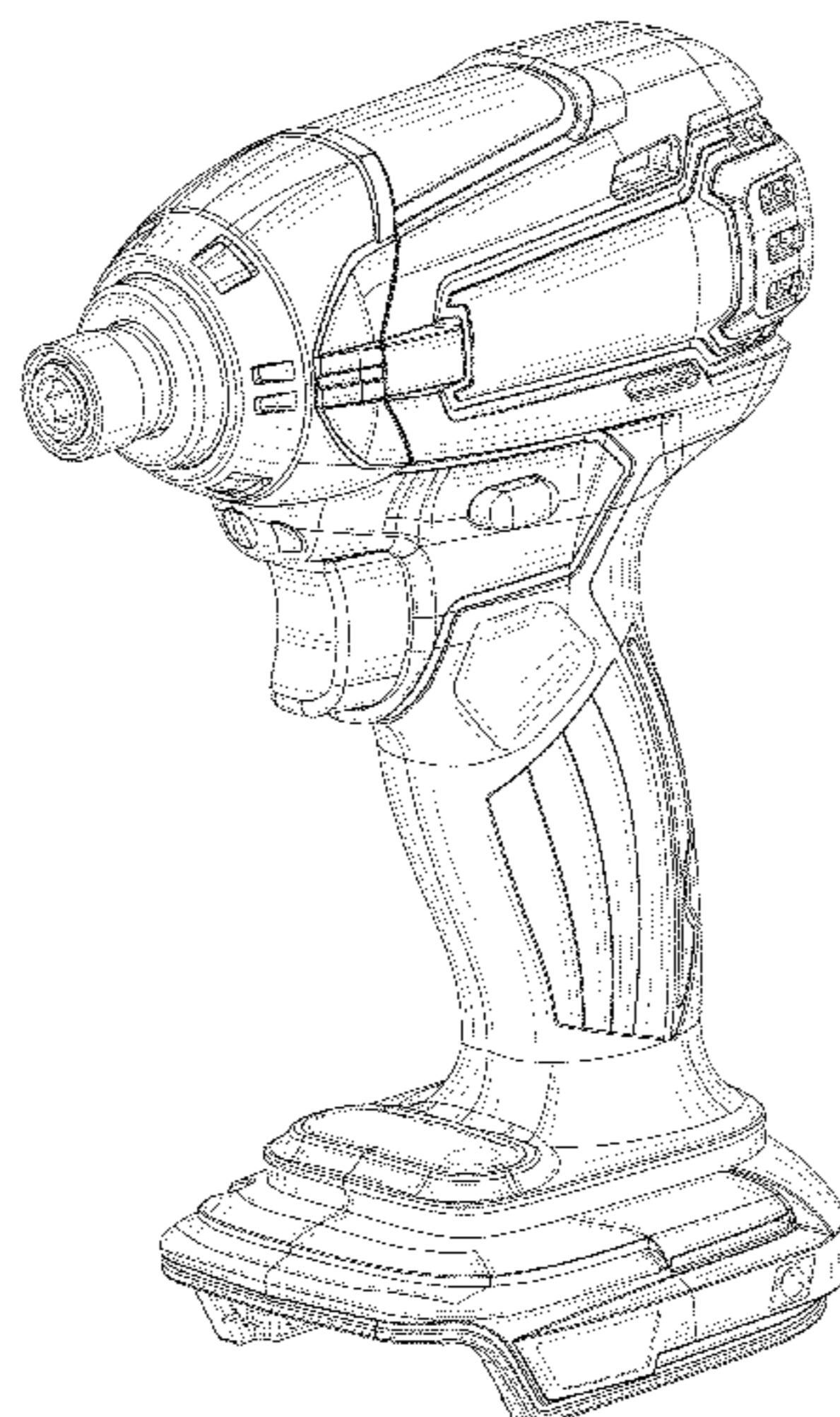
D644,495 S \* 9/2011 Misaki et al. .... D8/68  
8,167,056 B2 \* 5/2012 Ito et al. .... 173/171  
2007/0056760 A1 \* 3/2007 Yoshimizu et al. .... 173/217  
2012/0043102 A1 \* 2/2012 Okuda ..... 173/217  
2012/0199372 A1 \* 8/2012 Nishikawa et al. .... 173/132

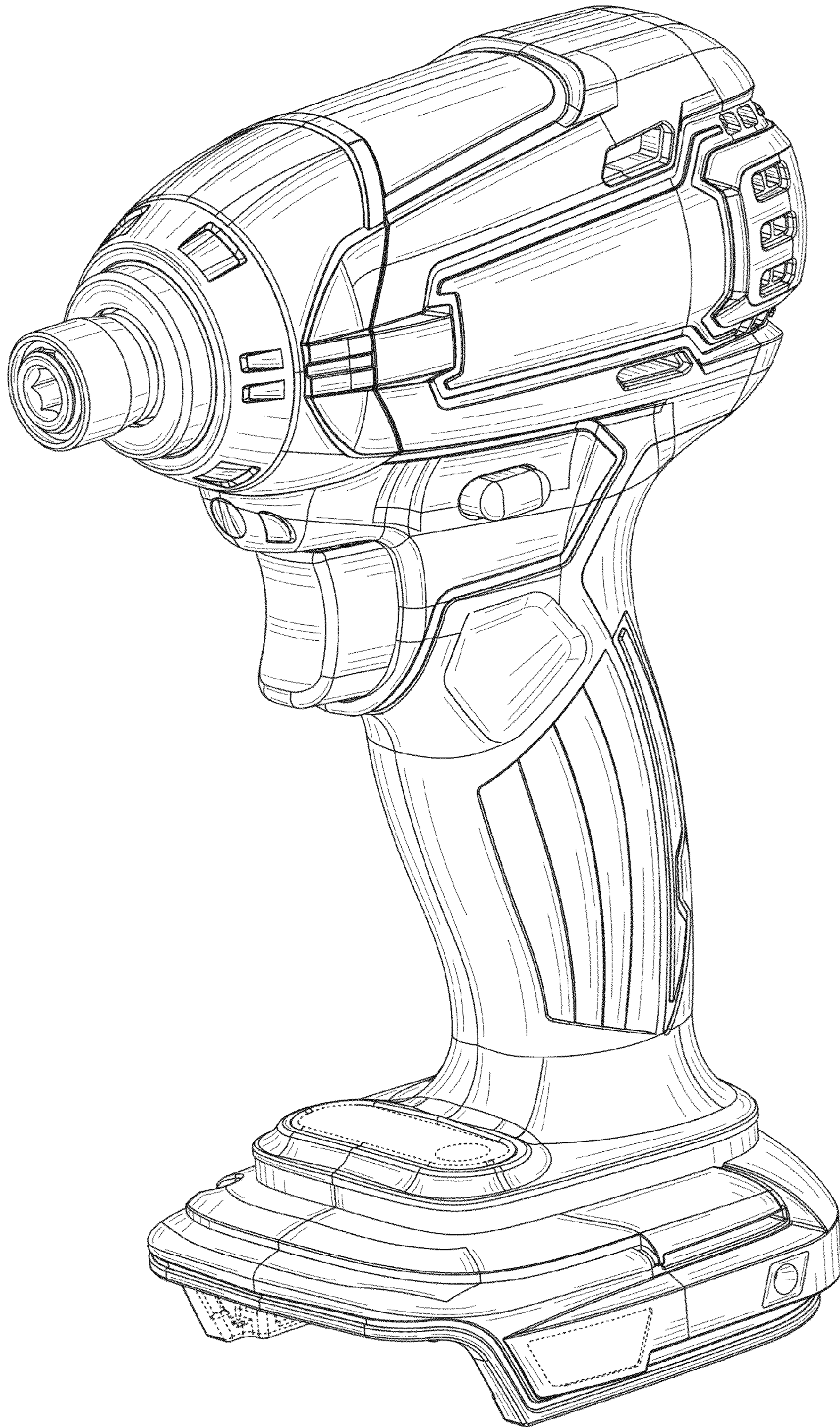
**FOREIGN PATENT DOCUMENTS**  
EM 001816984-0001 A1 8/2011  
\* cited by examiner  
*Primary Examiner* — Philip S Hyder  
*Assistant Examiner* — John T Applewhite  
(74) *Attorney, Agent, or Firm* — Global IP Counselors, LLP

(57) **CLAIM**  
The ornamental design for a portable electric driver, as shown and described.

**DESCRIPTION**  
FIG. 1 is a front perspective view of a portable electric driver in accordance with our new design;  
FIG. 2 is a rear perspective view of the portable electric driver in accordance with our new design;  
FIG. 3 is a front elevational view of the portable electric driver in accordance with our new design;  
FIG. 4 is a rear elevational view of the portable electric driver in accordance with our new design;  
FIG. 5 is a top plan view of the portable electric driver in accordance with our new design;  
FIG. 6 is a bottom plan view of the portable electric driver in accordance with our new design;  
FIG. 7 is a right side elevational view of the portable electric driver in accordance with our new design;  
FIG. 8 is a left side elevational view of the portable electric driver in accordance with our new design; and,  
FIG. 9 is a front perspective view of the portable electric driver in accordance with our new design illustrating a state in which a battery is attached to the portable electric driver.  
The broken line showing of environment in FIGS. 1-6, 8 and 9 is for illustrative purposes only and forms no part of the claimed design.

**1 Claim, 9 Drawing Sheets**





**FIG. 1**

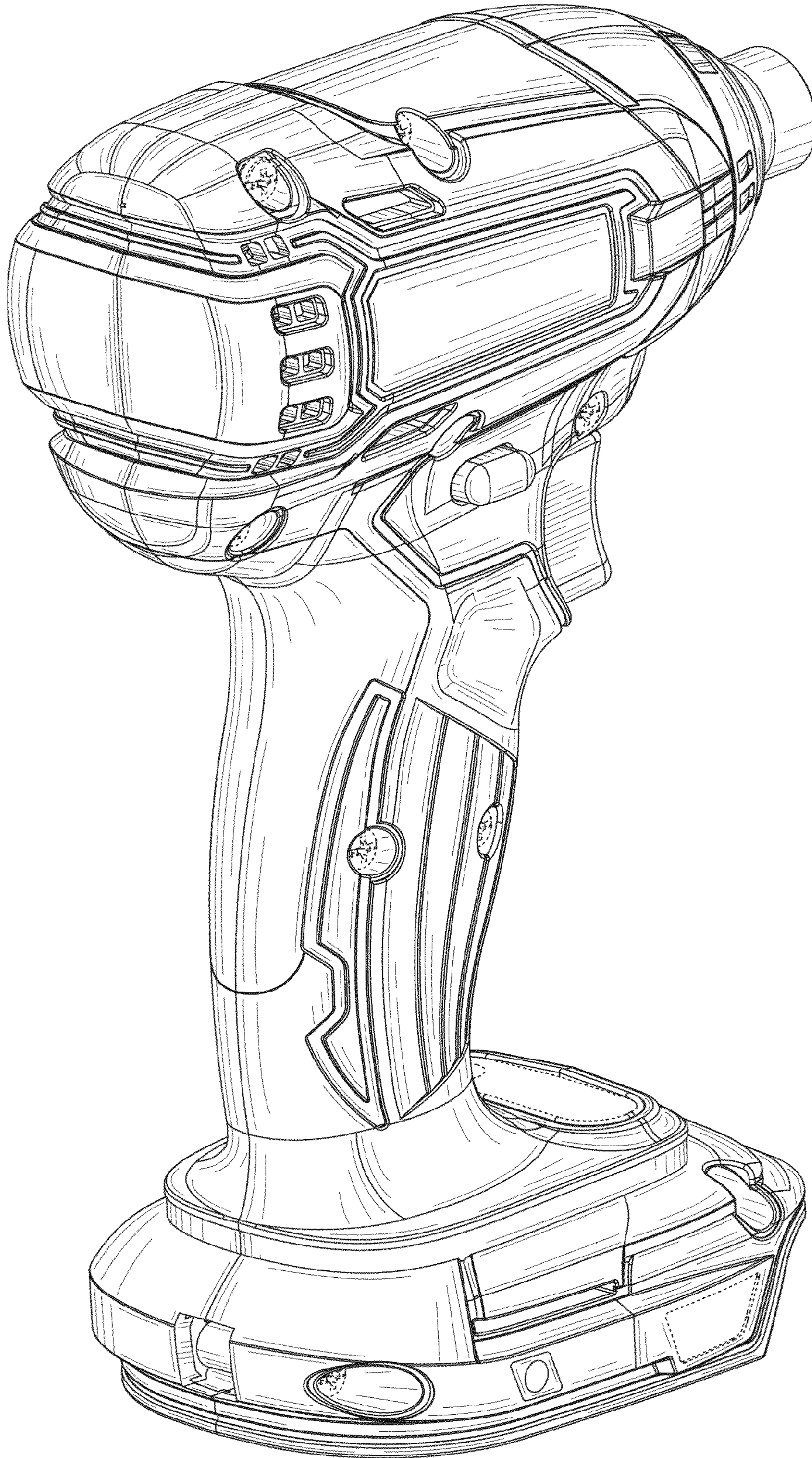
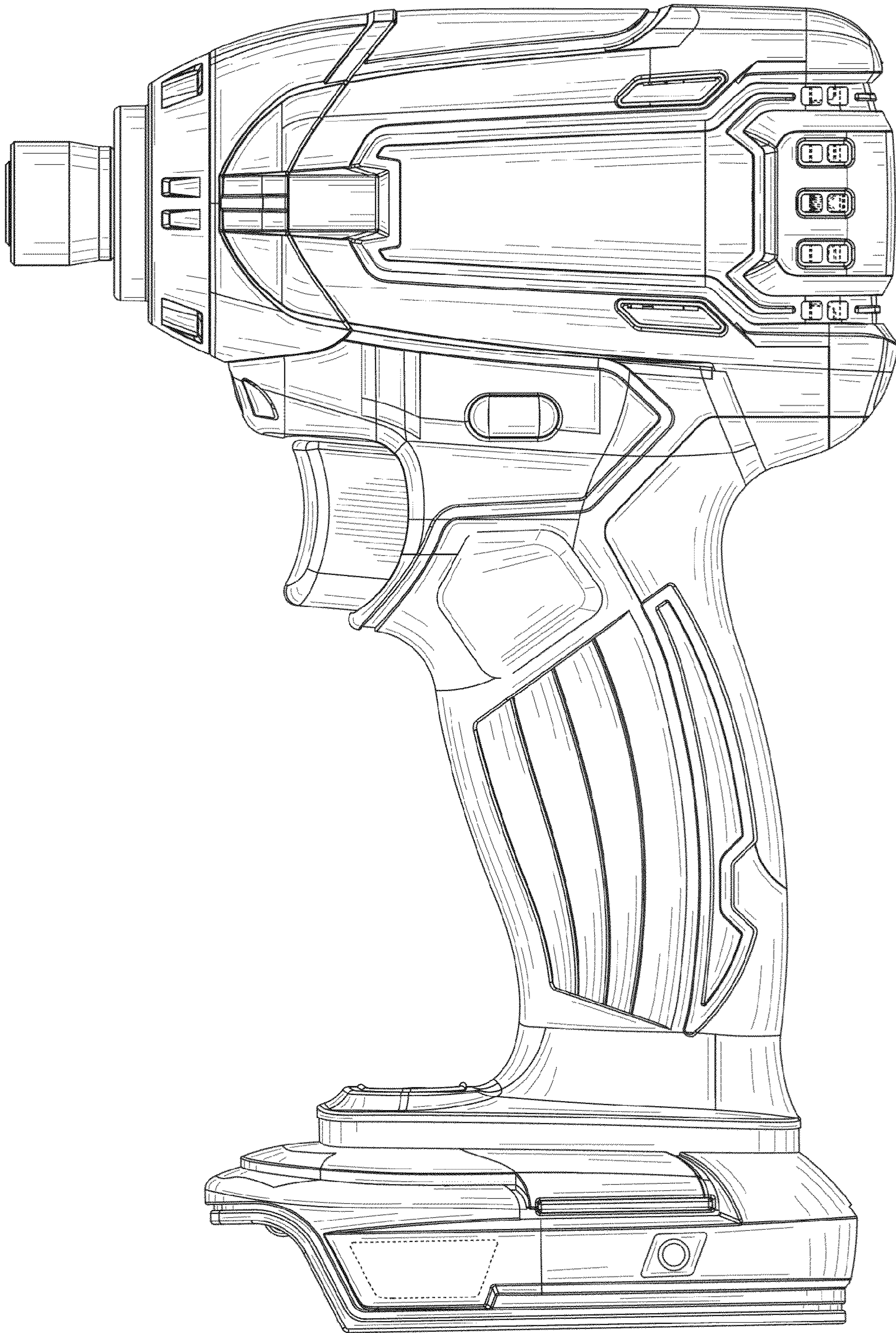


FIG. 2



**FIG. 3**

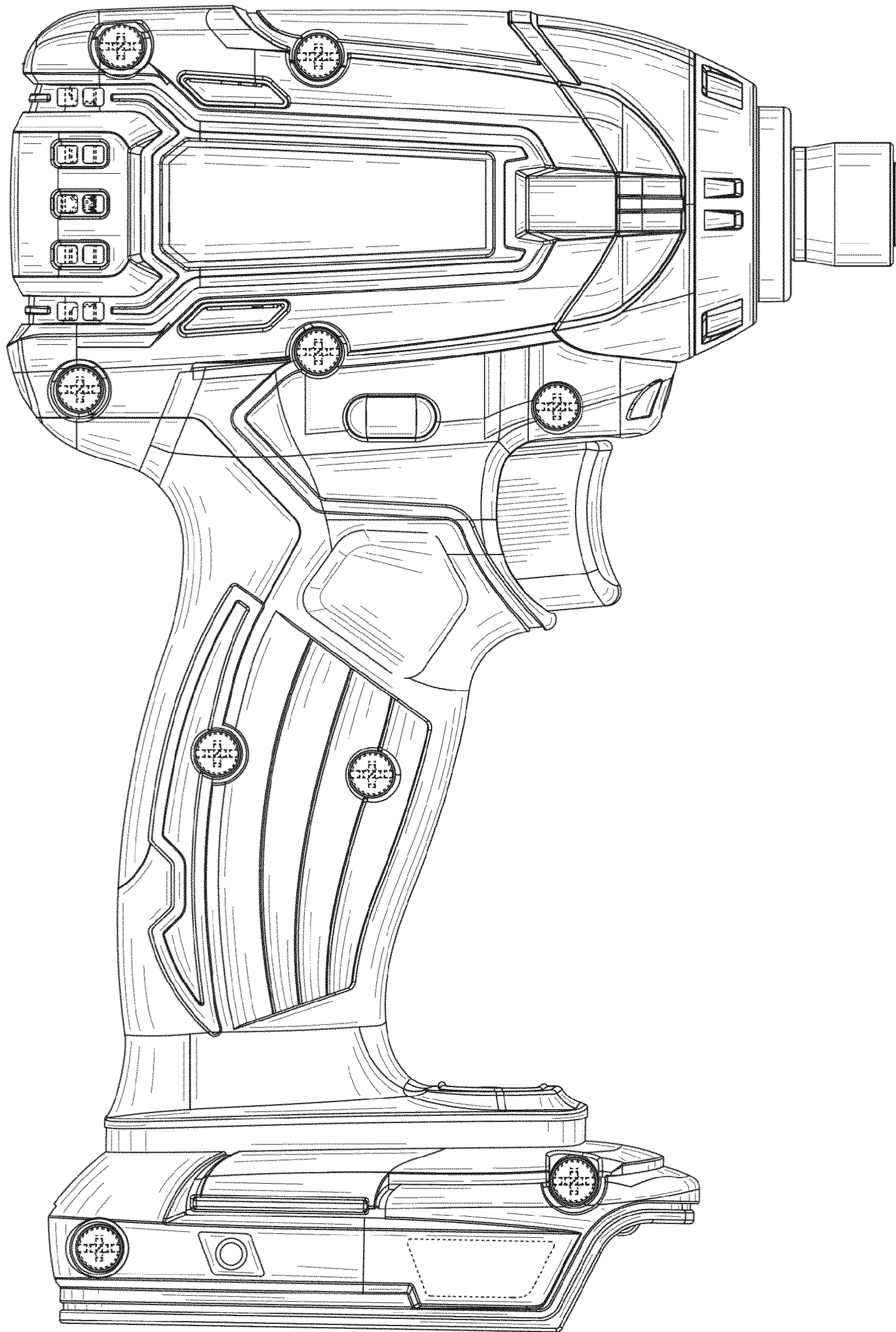
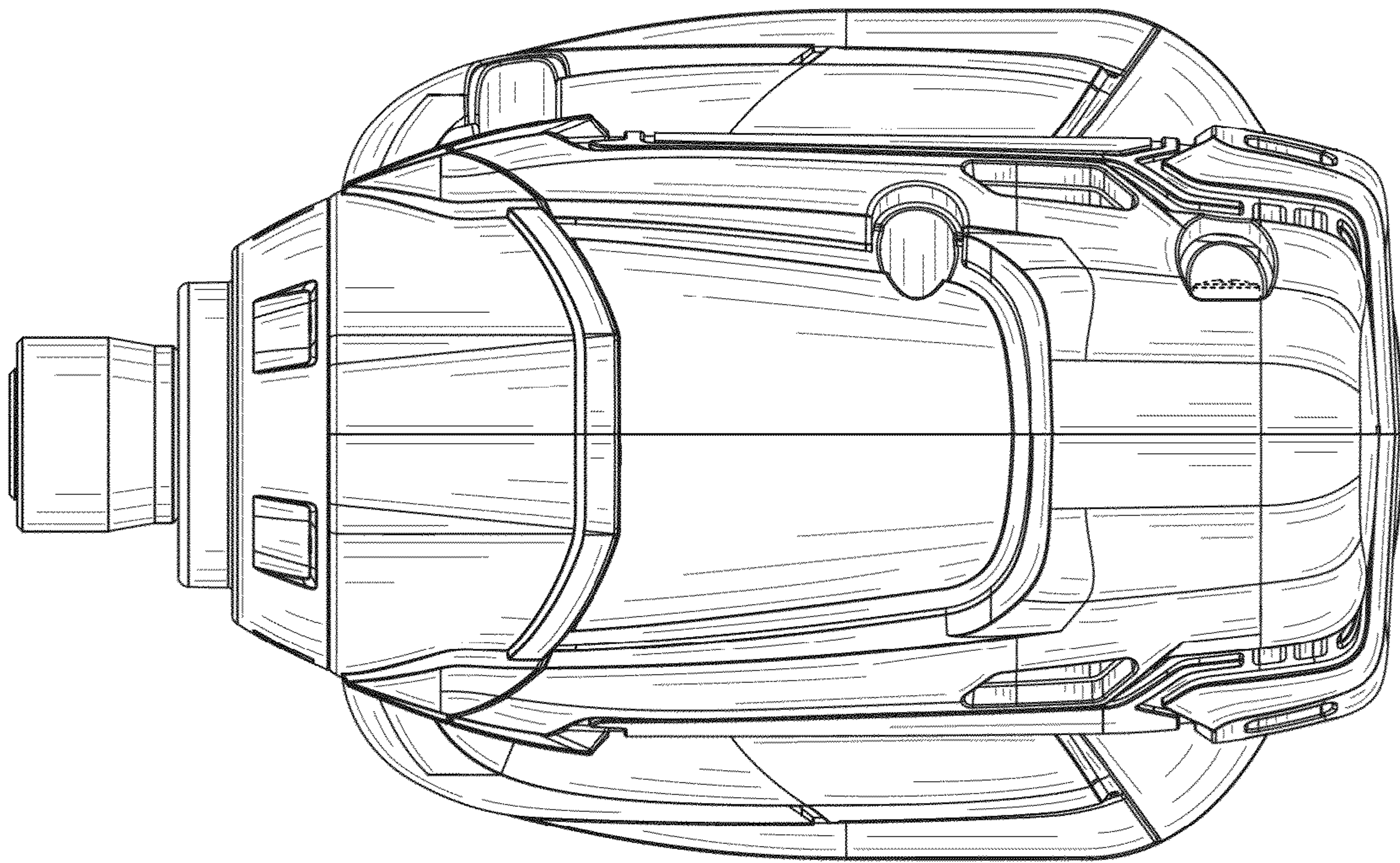
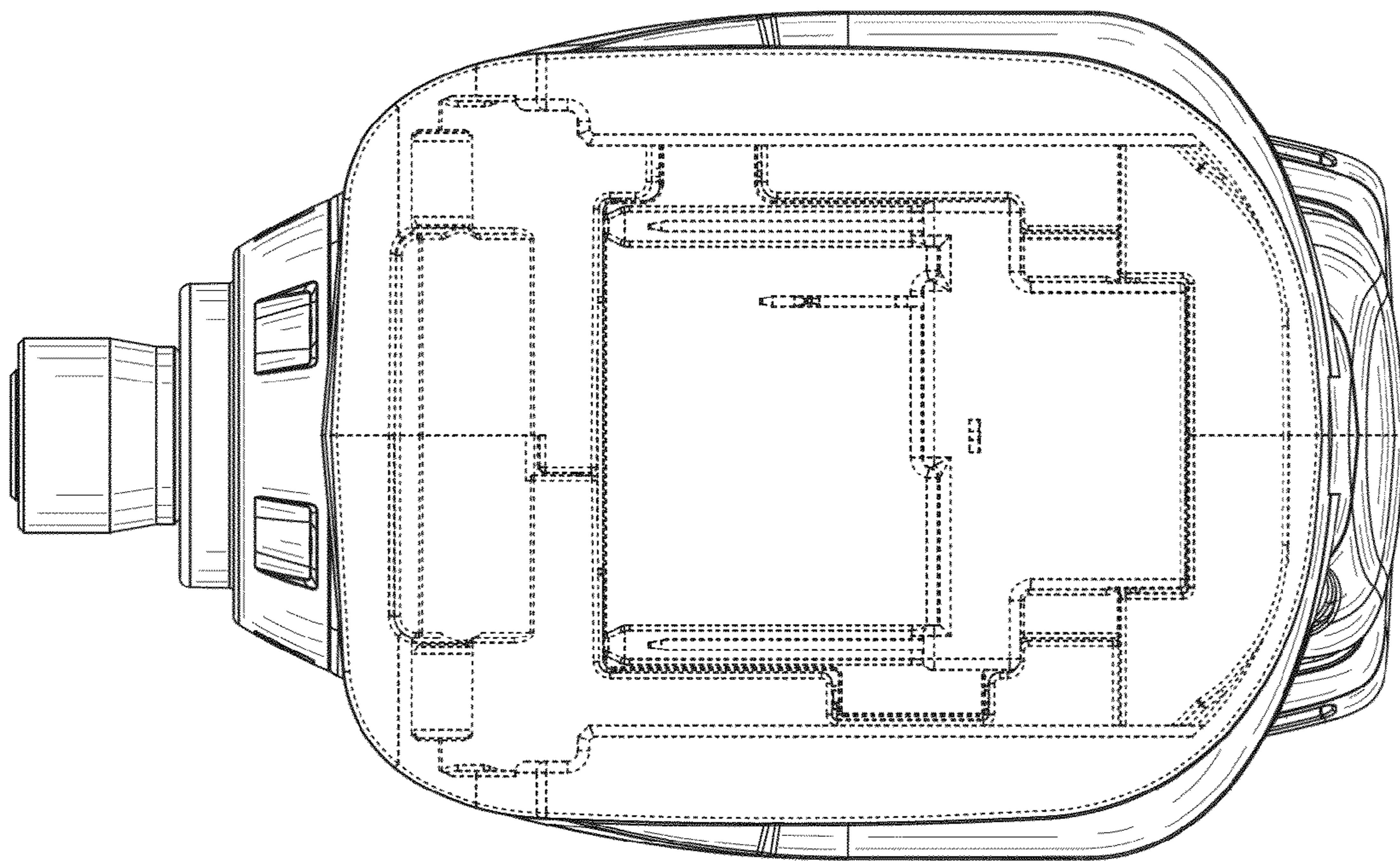


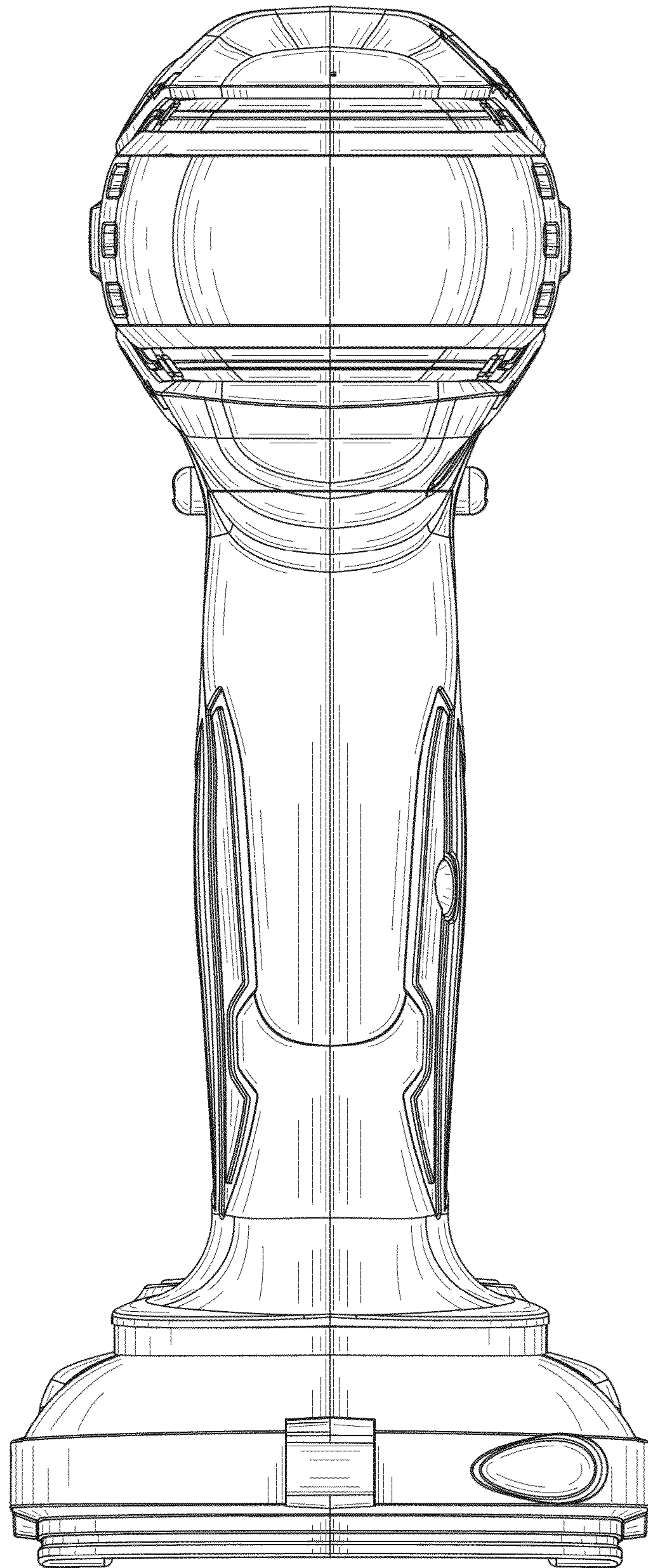
FIG. 4



**FIG. 5**

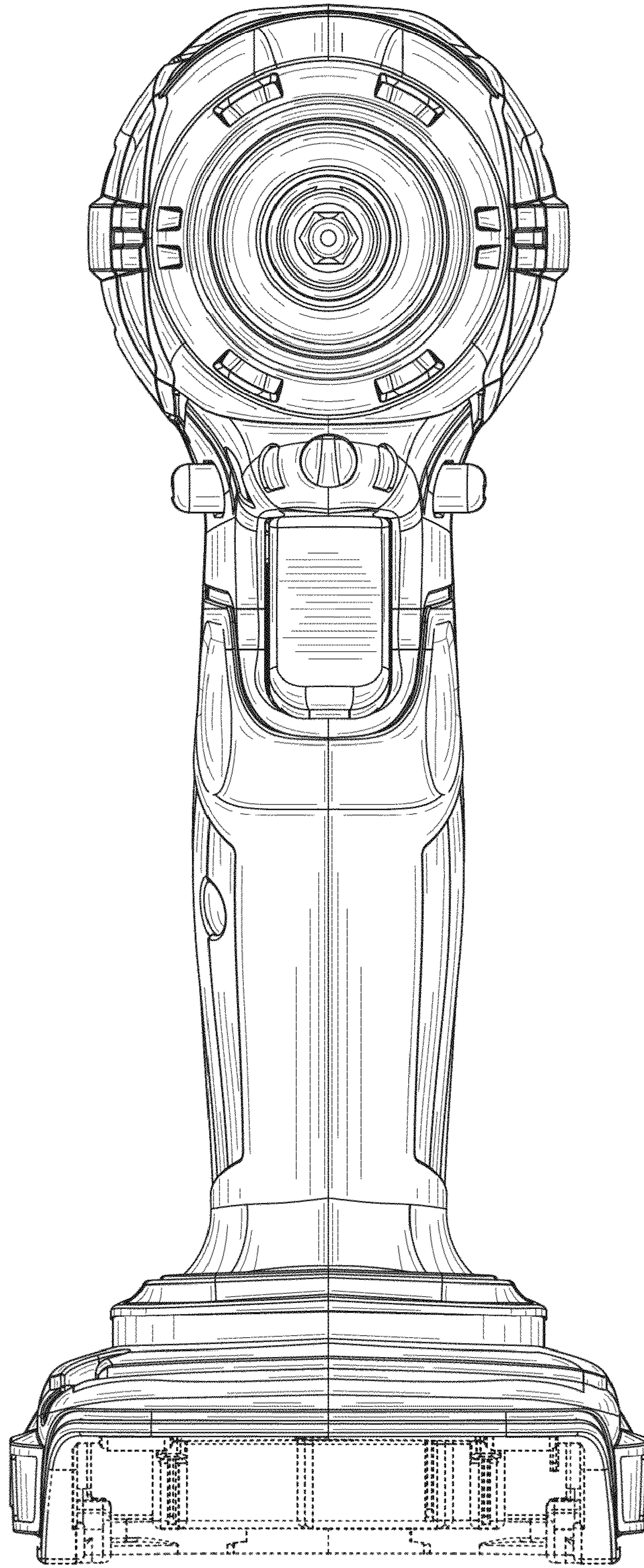


**FIG. 6**

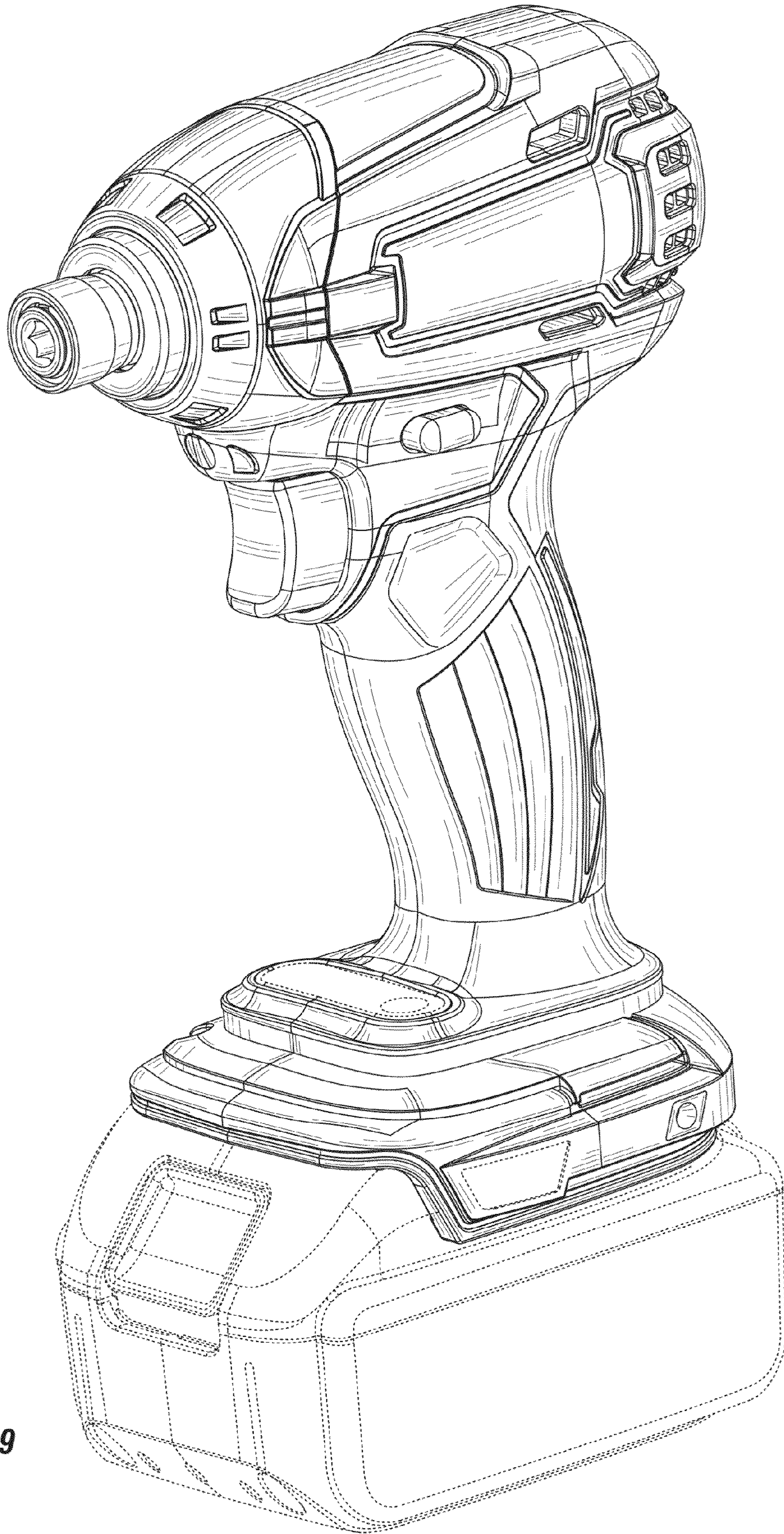


**FIG. 7**





**FIG. 8**



**FIG. 9**