



US00D677135S

(12) **United States Design Patent**
Green

(10) **Patent No.:** **US D677,135 S**

(45) **Date of Patent:** **** Mar. 5, 2013**

(54) **DUALLY RAKE-FORK TOOL**

3,091,197 A * 5/1963 Henry 111/7.1
D600,519 S * 9/2009 Walker et al. D8/13
D652,700 S * 1/2012 Flechel et al. D8/13

(76) **Inventor:** **Robert Green**, Post Falls, ID (US)

* cited by examiner

(**) **Term:** **14 Years**

Primary Examiner — Sheryl Lane

(21) **Appl. No.:** **29/396,852**

(57) **CLAIM**

The ornamental design for a dually rake-fork tool, as shown and described.

(22) **Filed:** **Jul. 7, 2011**

(51) **LOC (9) Cl.** **08-01**

(52) **U.S. Cl.** **D8/13**

(58) **Field of Classification Search** D8/13,
D8/6; 56/400.12–400.15, 400.01; 294/55.5,
294/49

See application file for complete search history.

DESCRIPTION

FIG. 1: Perspective view of the tool.

FIG. 2: Front view of the tool.

FIG. 3: Rear view of the tool.

FIG. 4: Bottom view of the tool.

FIG. 5: Top view of the tool; and,

FIG. 6: Side view of the tool.

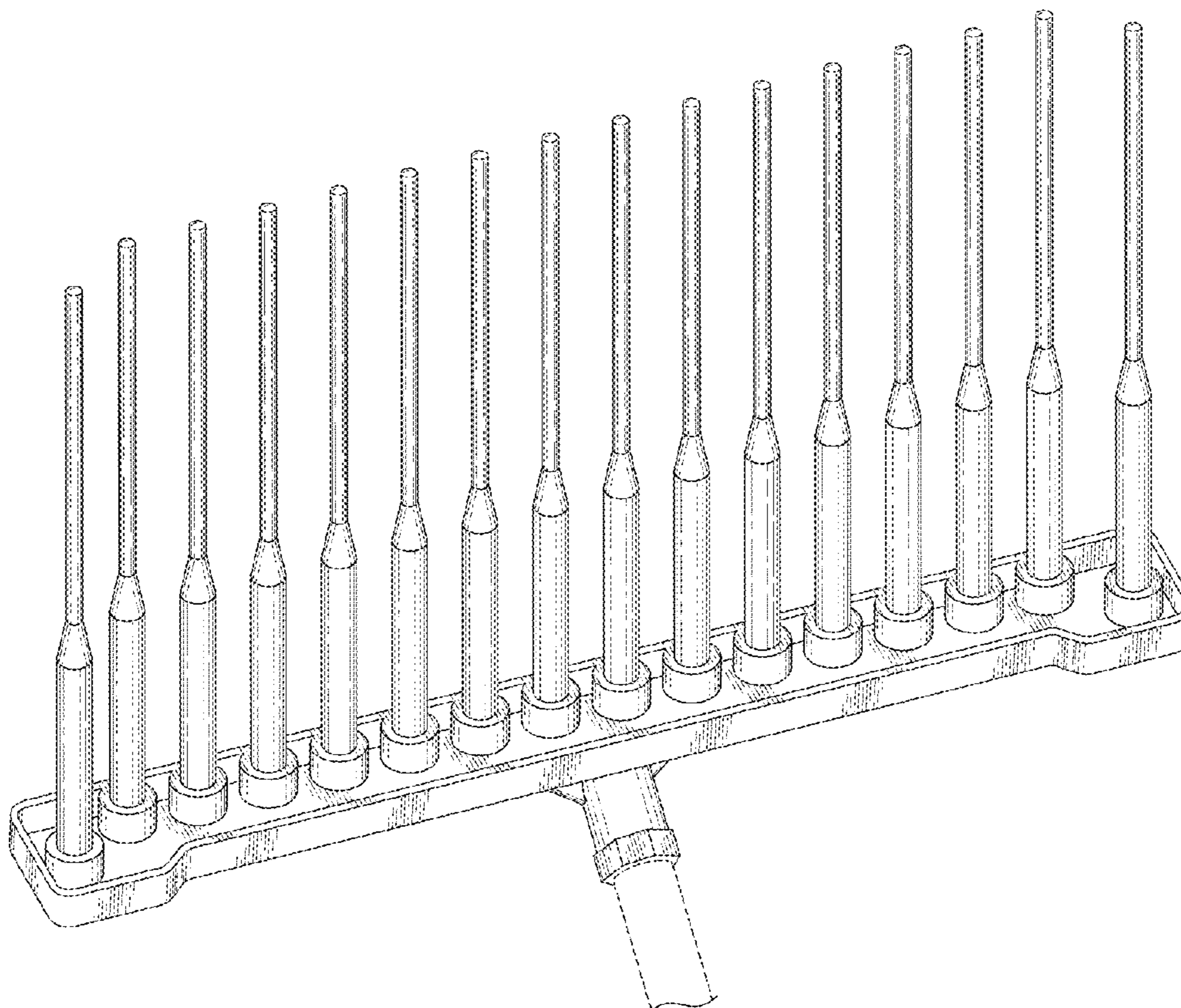
The broken lines represent environmental subject matter and form no part of the claimed design.

(56) **References Cited**

U.S. PATENT DOCUMENTS

10,322 A * 12/1853 Franklin 294/55.5
218,642 A * 8/1879 Robinson 294/55.5

1 Claim, 3 Drawing Sheets



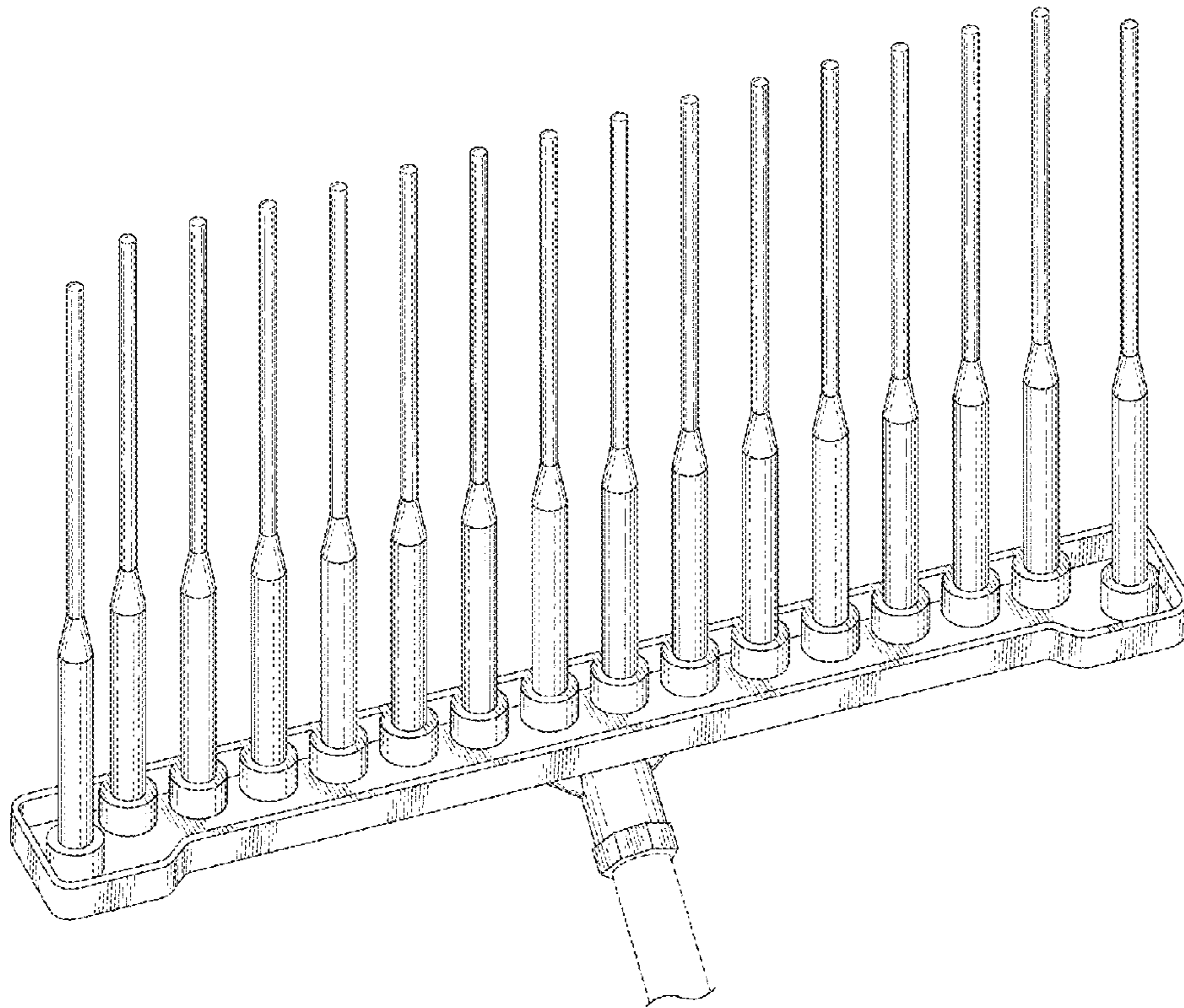


FIG. 1

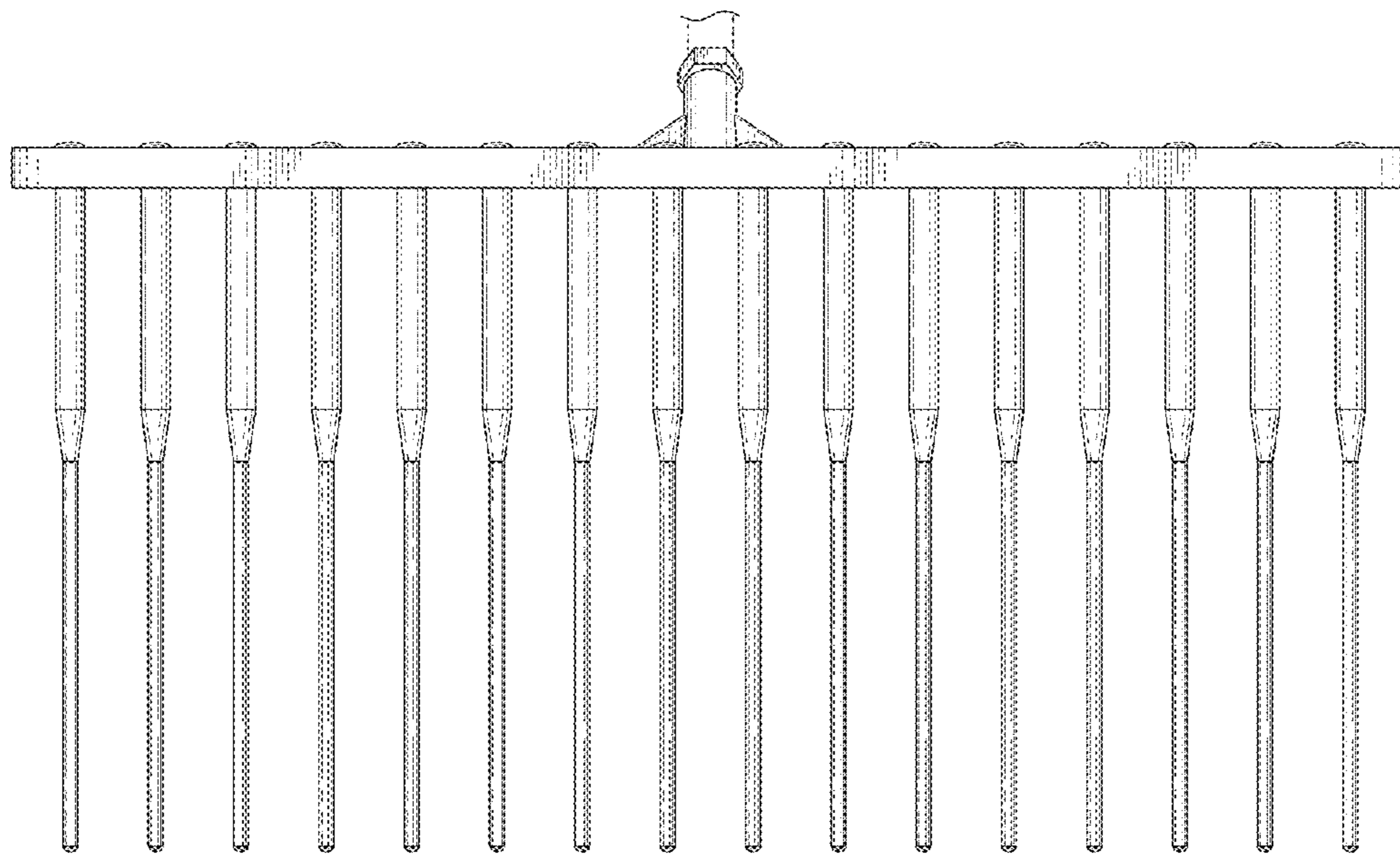


FIG. 2

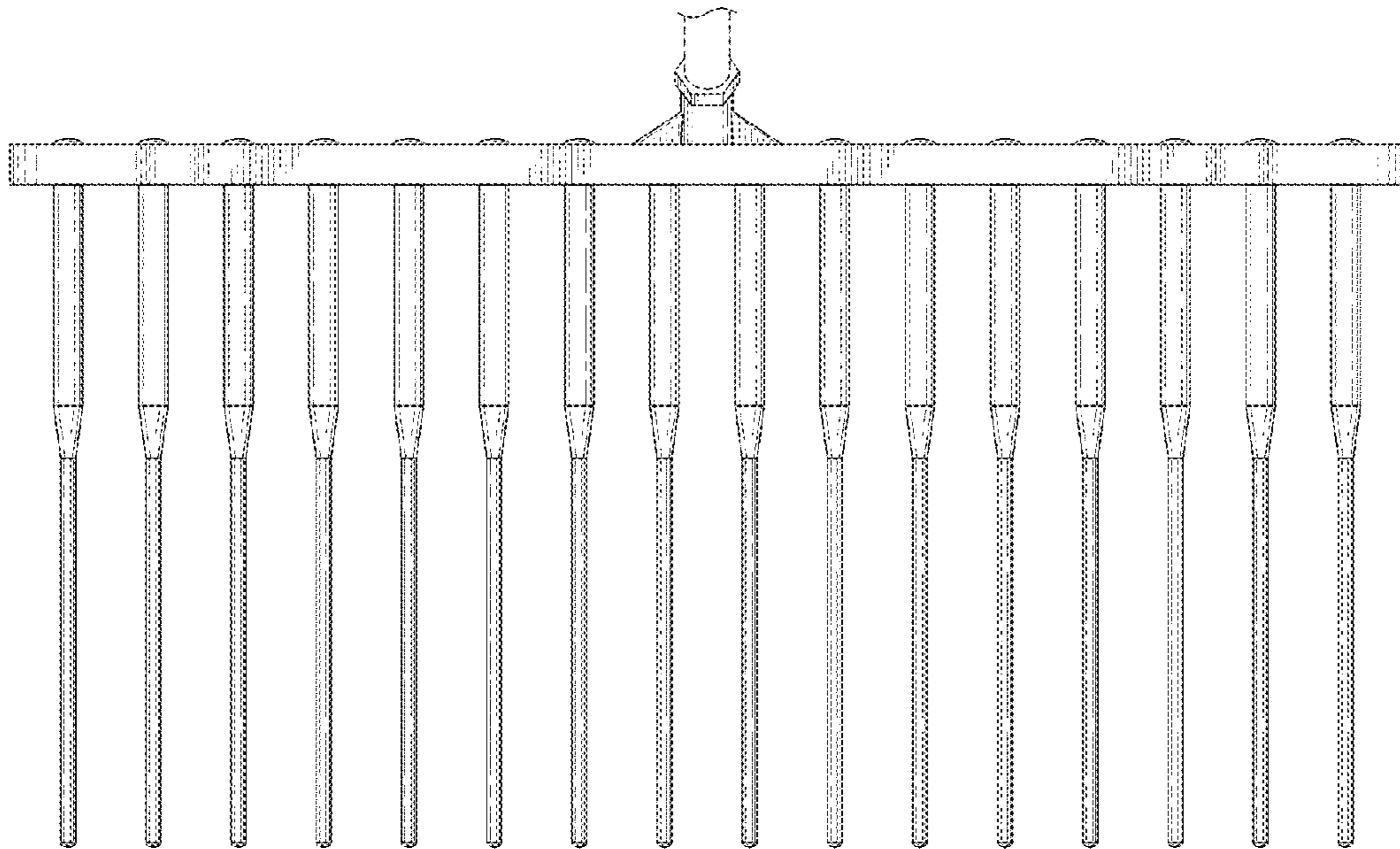


FIG. 3

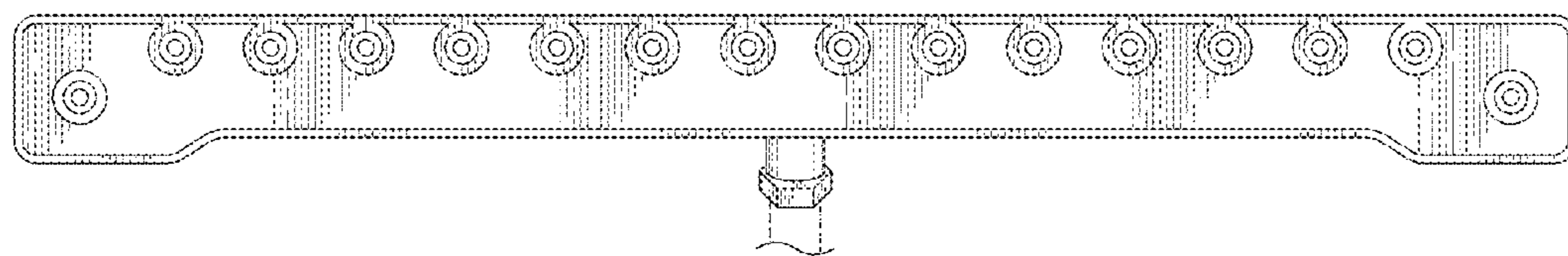


FIG. 4

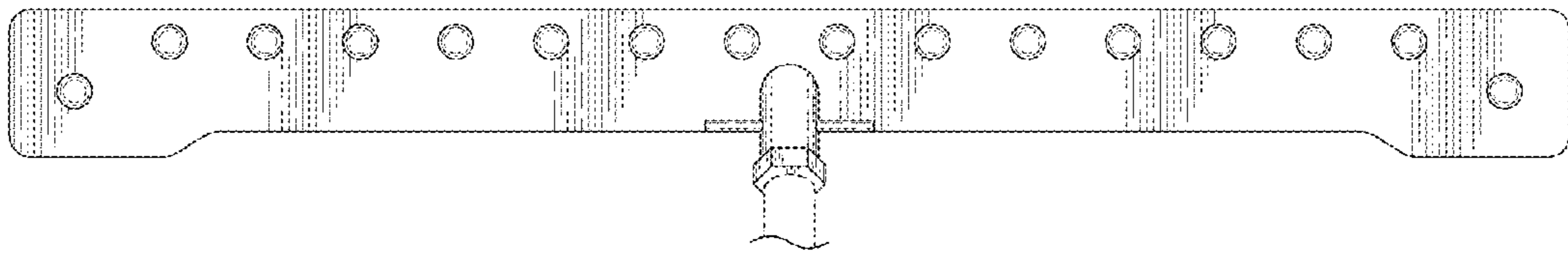


FIG. 5

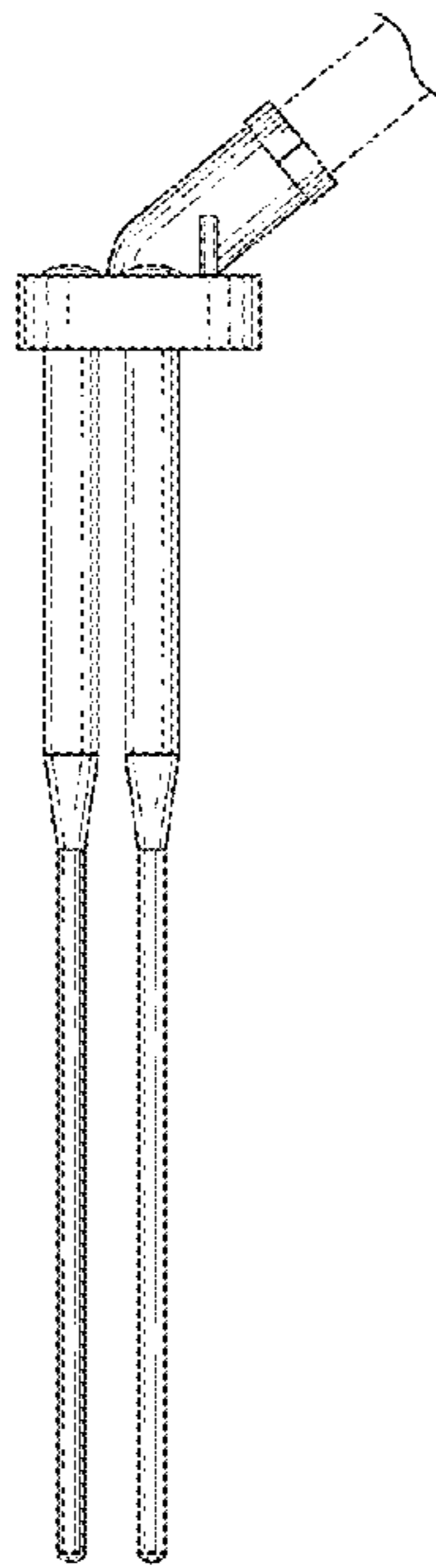


FIG. 6