



US00D677134S

(12) **United States Design Patent**
Stark

(10) **Patent No.:** **US D677,134 S**

(45) **Date of Patent:** **** Mar. 5, 2013**

(54) **SHOVEL**

(76) **Inventor:** **Jonathan R. Stark, Westbrook, CT (US)**

(**) **Term:** **14 Years**

(21) **Appl. No.:** **29/423,074**

(22) **Filed:** **May 29, 2012**

(51) **LOC (9) Cl.** **08-01**

(52) **U.S. Cl.** **D8/10**

(58) **Field of Classification Search** D8/10,
D8/11; 294/49, 51, 54.5, 55, 50.8, 50.9;
7/114-116; D21/532

See application file for complete search history.

(56) **References Cited**

U.S. PATENT DOCUMENTS

845,592 A * 2/1907 Stewart 294/57
2,531,227 A * 11/1950 Lubins 294/58
D270,612 S * 9/1983 Storlie D8/10

4,772,057 A * 9/1988 Harvey 294/58
D377,300 S * 1/1997 Fredrick von Essen D8/10
D593,821 S * 6/2009 Kopp et al. D8/10

* cited by examiner

Primary Examiner — Sheryl Lane

(74) *Attorney, Agent, or Firm* — Alix, Yale & Ristas, LLP

(57) **CLAIM**

The ornamental design for a shovel, as shown and described.

DESCRIPTION

FIG. 1 is a perspective view of the shovel showing my new design;

FIG. 2 is a top view of the shovel of FIG. 1;

FIG. 3 is a bottom view of the shovel of FIG. 1;

FIG. 4 is a right side view of the shovel of FIG. 1;

FIG. 5 is a left side view of the shovel of FIG. 1;

FIG. 6 is a rear view of the shovel of FIG. 1; and,

FIG. 7 is a front view of the shovel of FIG. 1.

1 Claim, 4 Drawing Sheets

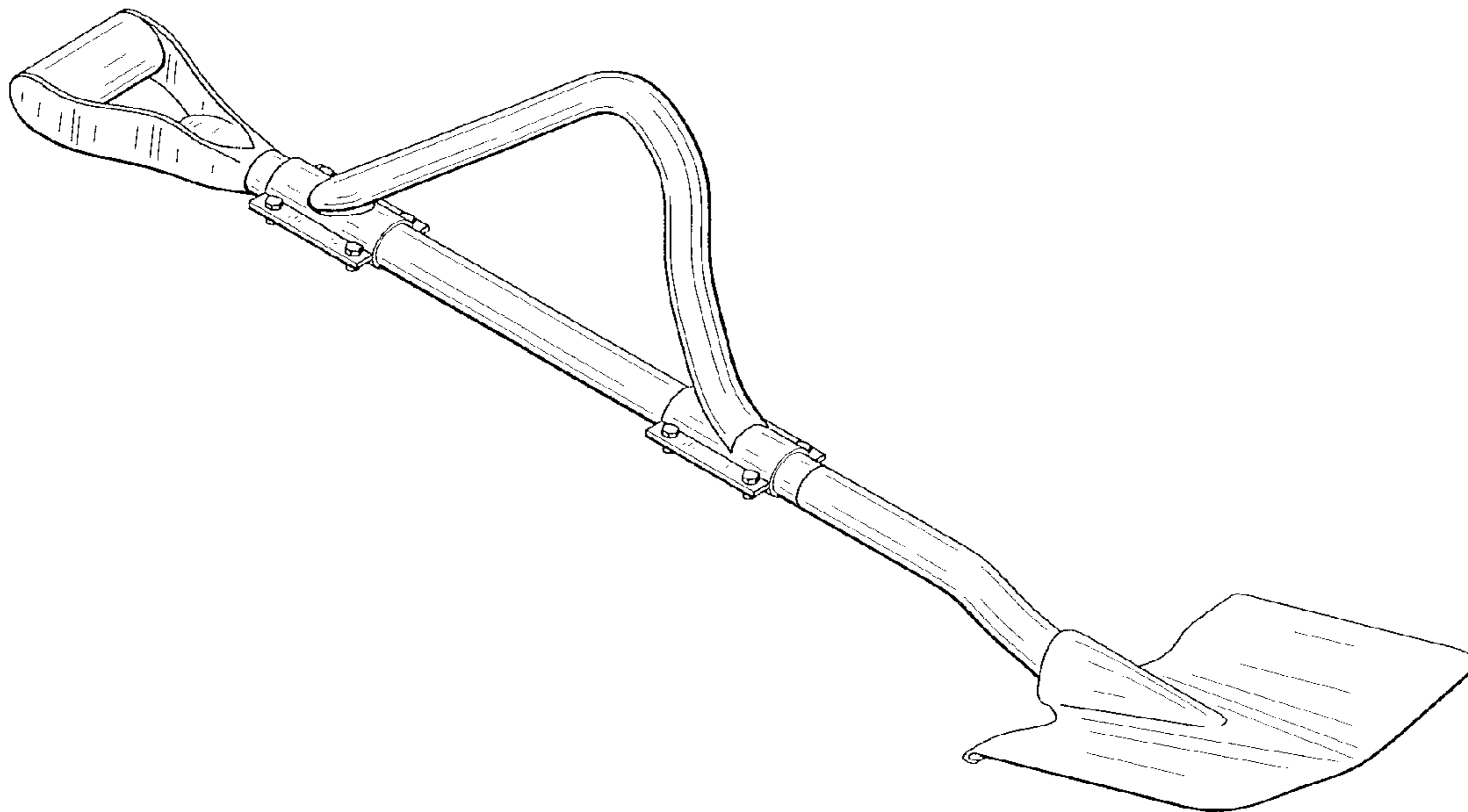


FIG. 1

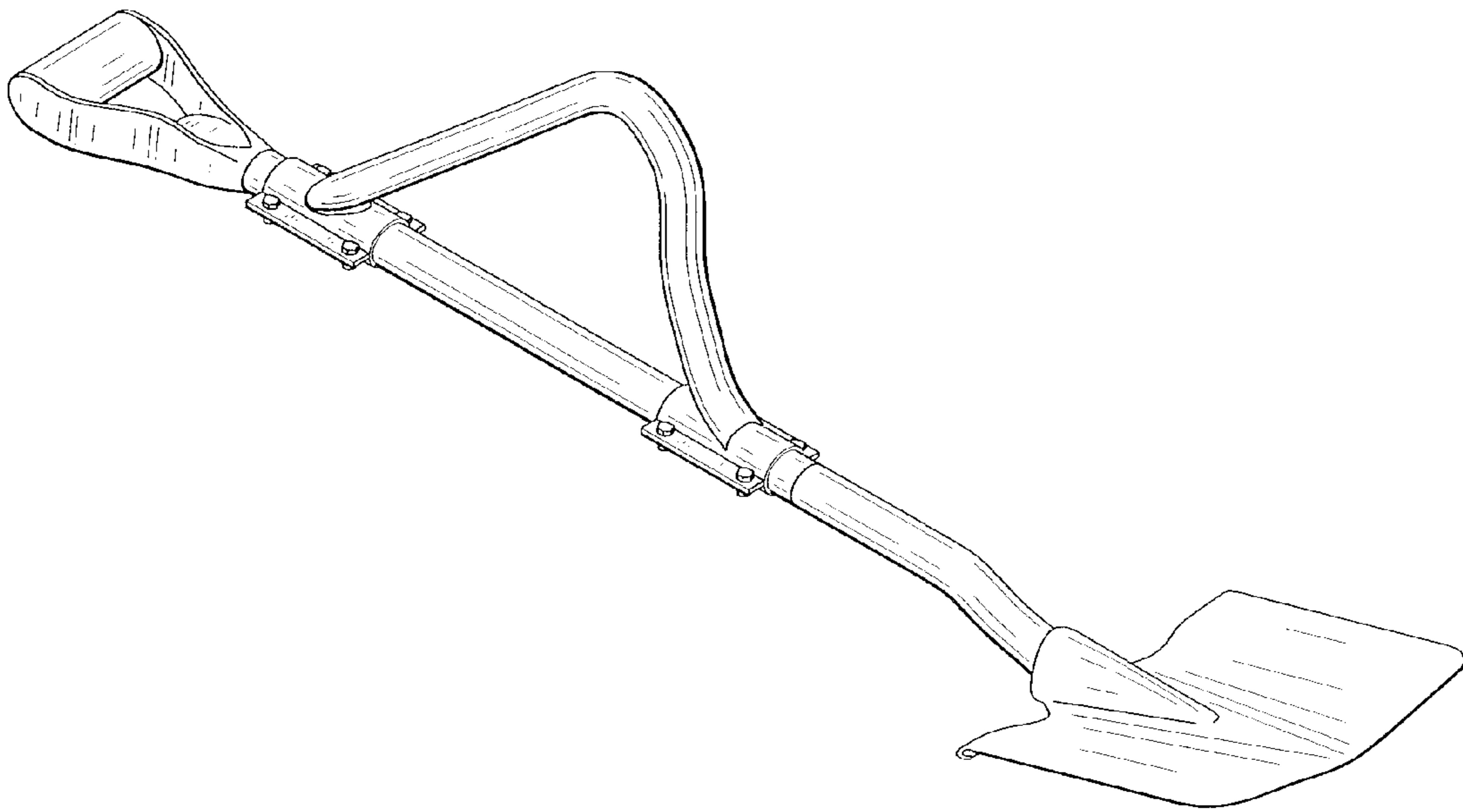


FIG. 2

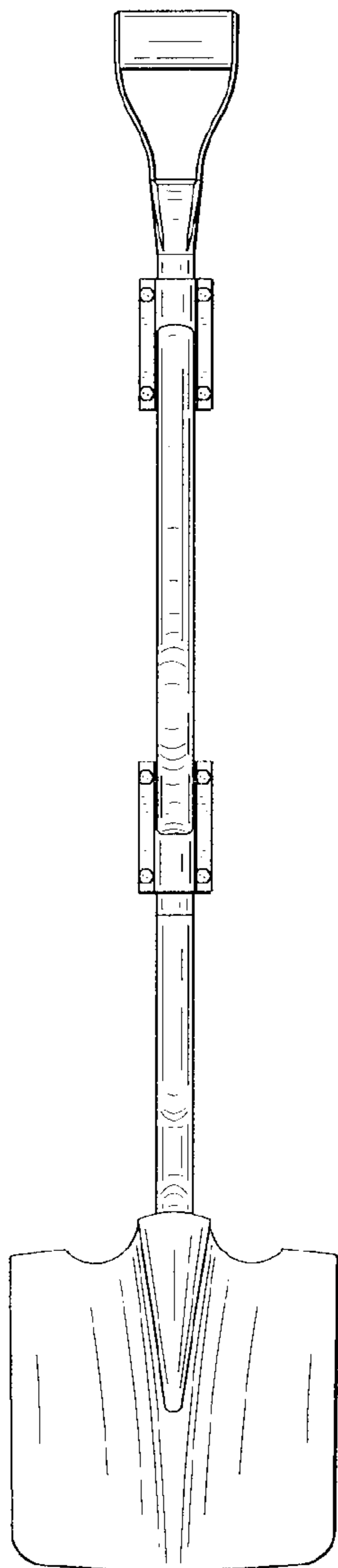


FIG. 3

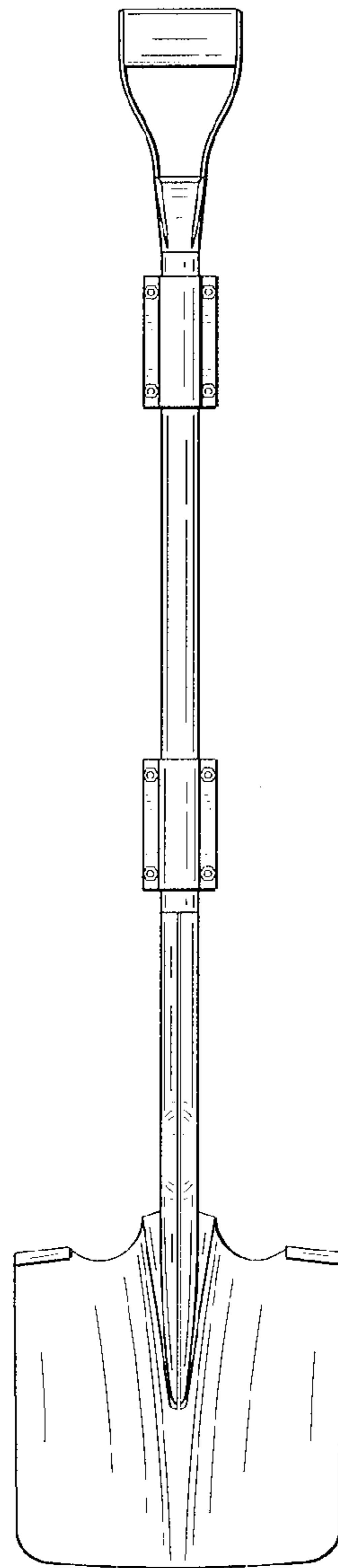


FIG. 4

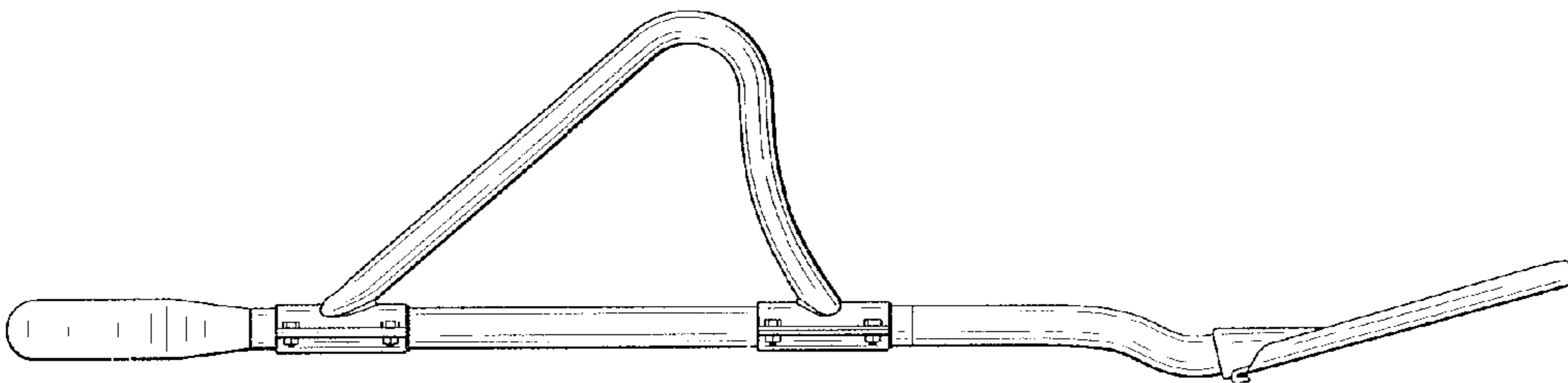


FIG. 5

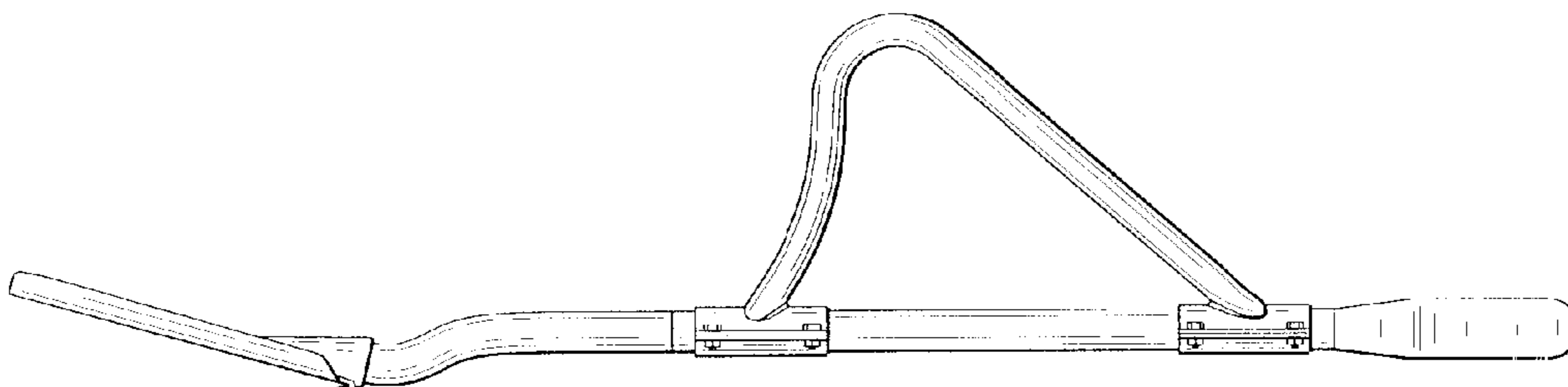


FIG. 6

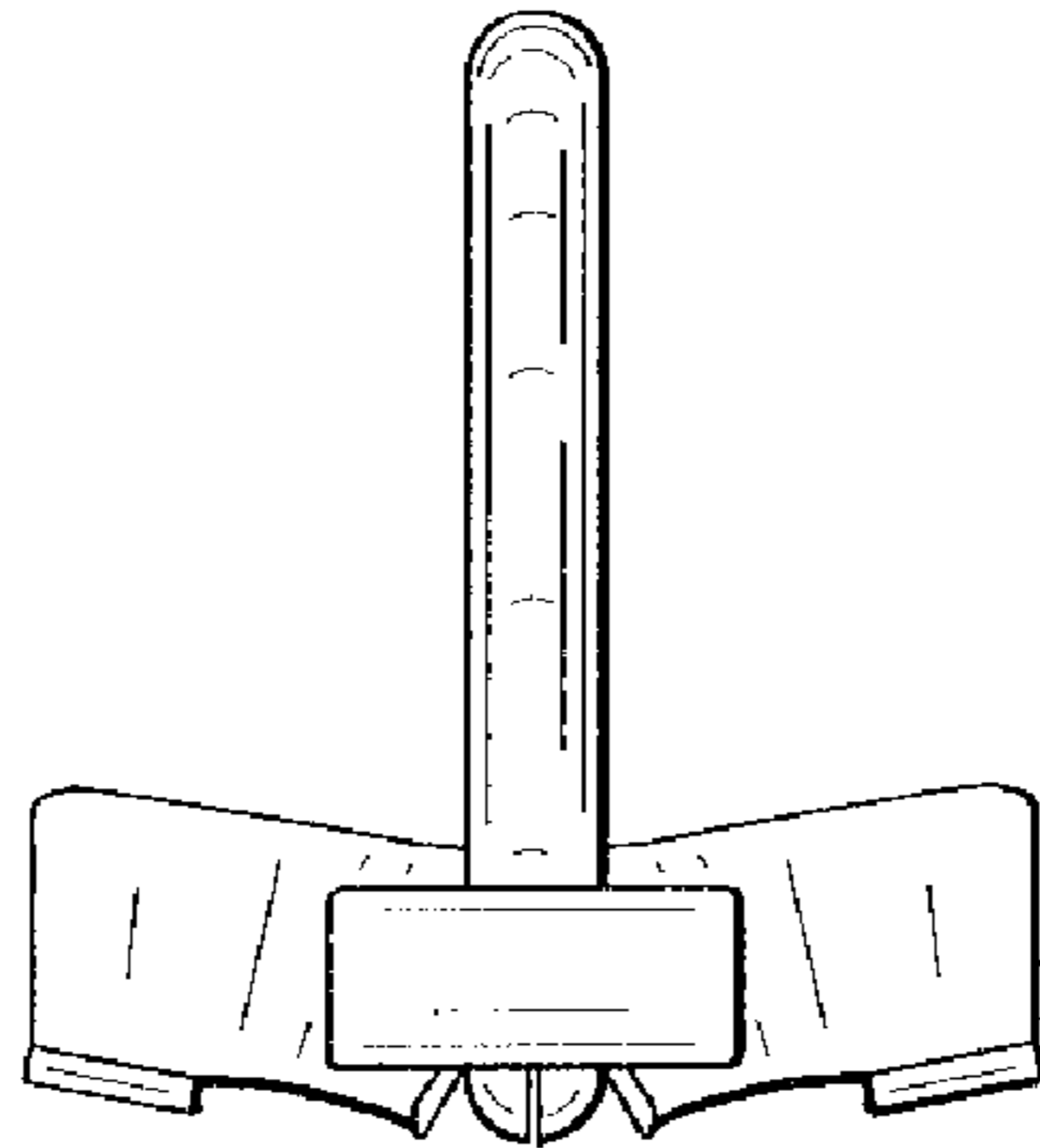


FIG. 7

