

US00D677131S

(12) **United States Design Patent**
Saunders et al.

(10) **Patent No.:** **US D677,131 S**
(45) **Date of Patent:** **** Mar. 5, 2013**

(54) **CARVING STATION**

(76) Inventors: **Joseph Jeremy Saunders**, Sturgeon Bay, WI (US); **John Quella**, Sturgeon Bay, WI (US)

(**) **Term:** **14 Years**

(21) **Appl. No.:** **29/427,913**

(22) **Filed:** **Jul. 24, 2012**
(Under 37 CFR 1.47)

Related U.S. Application Data

(62) Division of application No. 29/413,788, filed on Feb. 21, 2012, and a division of application No. 29/403,602, filed on Oct. 7, 2011, now Pat. No. Des. 659,490, and a division of application No. 29/315,687, filed on Jul. 15, 2009, now Pat. No. Des. 655,140.

(51) **LOC (9) Cl.** **07-04**

(52) **U.S. Cl.** **D7/698**

(58) **Field of Classification Search** D6/349, D6/396, 484, 491, 583; D7/354, 359-363, D7/38, 392.1, 396.1, 408-409, 412, 505, D7/546, 549, 550.1, 552.1-552.2, 553.1, D7/553.5, 553.8, 554.3-554.4, 555, 586, D7/629, 667, 673; D26/62-65; 99/324, 99/357, 422, 449-450, 484; 126/41 R, 168; 219/450.1, 728; 269/2, 13, 15-16, 54.5, 269/289 R, 302.1, 575; 362/253, 427
See application file for complete search history.

(56) **References Cited**

U.S. PATENT DOCUMENTS

2,751,951 A *	6/1956	Strathaus	269/54.5
2,900,045 A	8/1959	Conklin et al.		
D205,463 S	8/1966	Zelenko		
D215,162 S	9/1969	Robichaud		
D217,063 S	3/1970	Daito		
D291,426 S	8/1987	Husbands		
4,692,850 A	9/1987	LeDoux		
D312,885 S	12/1990	Louis		
5,100,115 A	3/1992	Schorn		
D348,367 S	7/1994	Geisen et al.		

5,353,746 A	10/1994	Del Rosario		
5,386,978 A	2/1995	Ladwig		
D360,785 S	8/1995	Mooslin		
5,477,702 A	12/1995	Kennedy et al.		
D377,429 S	1/1997	Olson		
D381,104 S	7/1997	Linstone		
5,996,983 A	12/1999	Laurenzi		
D424,891 S *	5/2000	Kaposi	D7/698
6,206,445 B1	3/2001	Brooks		
D484,282 S	12/2003	Lockwood		
D525,382 S *	7/2006	Chen	D26/65
D539,081 S *	3/2007	Leibowitz	D7/392.1
D541,079 S	4/2007	Brown		
7,237,931 B2 *	7/2007	Chen	362/427
D555,986 S	11/2007	Goldman		
D589,188 S *	3/2009	Sabernig	D26/62
D626,352 S *	11/2010	Haudot	D6/396
D638,266 S *	5/2011	Shamoon	D7/698
D645,310 S *	9/2011	Shamoon	D7/698
D659,490 S *	5/2012	Saunders et al.	D7/698
D665,199 S *	8/2012	Plitt et al.	D6/491
2006/0203489 A1 *	9/2006	Chen	362/253
2011/0133383 A1	6/2011	Roser		
2011/0168035 A1	7/2011	Saunders et al.		

OTHER PUBLICATIONS

Free Stander Warmers, Multiple models, 1 page, date unknown.

(Continued)

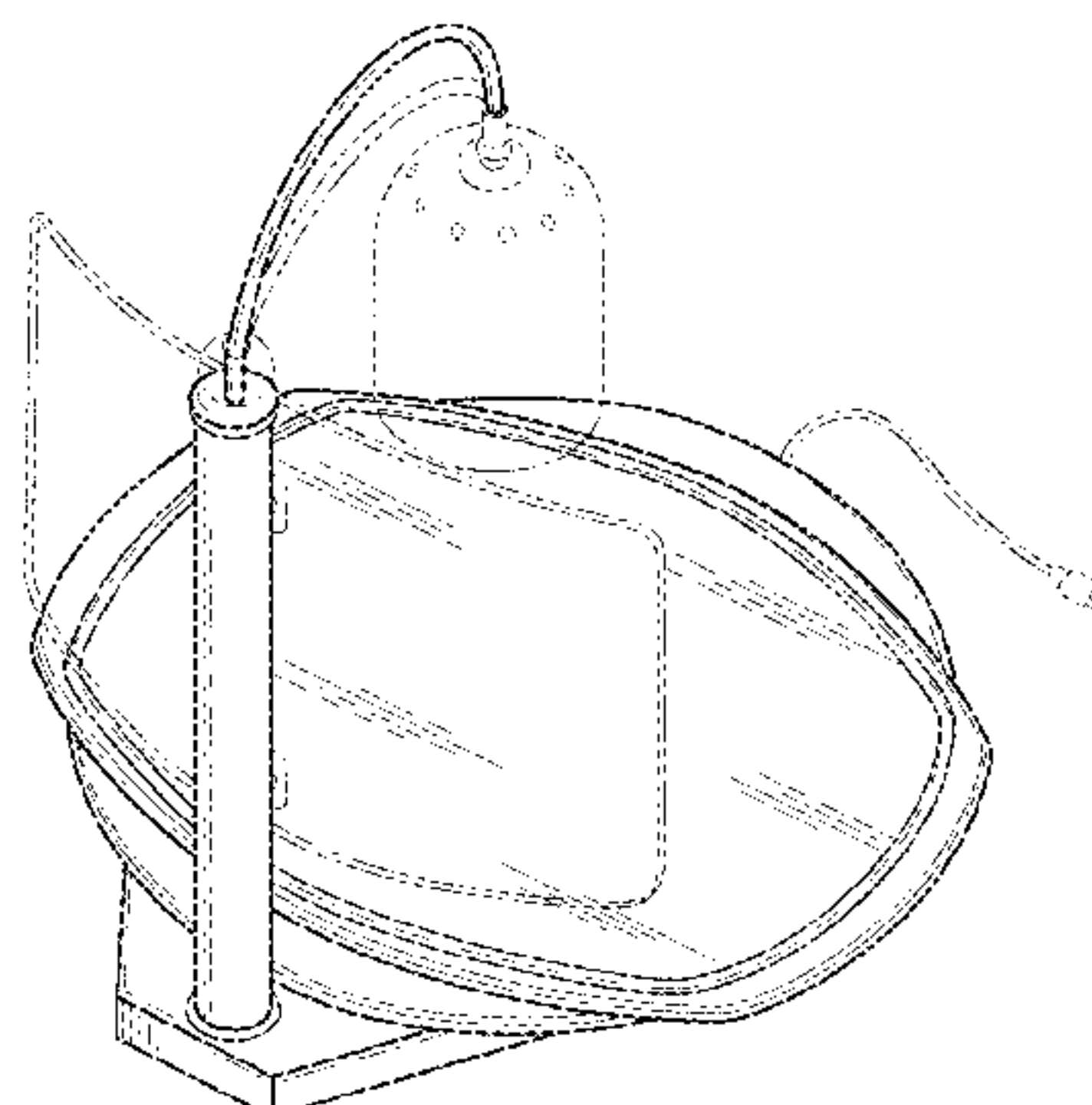
Primary Examiner — Ricky Pham
(74) *Attorney, Agent, or Firm* — Ryan Kromholz & Manion, S.C.

(57) **CLAIM**
The ornamental design for a carving station, as shown and described.

DESCRIPTION

FIG. 1 is a perspective view of a carving station showing our new design;
FIG. 2 is a rear elevation view thereof;
FIG. 3 is a front elevation view thereof;
FIG. 4 is a top plan view thereof;
FIG. 5 is a bottom plan view thereof;
FIG. 6 is a right side elevation view thereof; and,
FIG. 7 is a left side elevation view thereof.
The broken lines shown in the drawings are for illustrative purposes only and form no part of the claimed design.

1 Claim, 3 Drawing Sheets



US D677,131 S

Page 2

OTHER PUBLICATIONS

Witco Food Service Equipment, Models CSD Series Carving Stations, 2 pages, date unknown.

Royalton Food Service Equipment Company, Model RCS Series Heated Carving Station, 2 pages, date unknown.

Alto Shaam manual, Hot Carving Shelf Electric, Models: 100-HSL/BCS-2, 100-HSL/BCS-2S, 19 pages, date unknown.
Model Carving Station, 1 page, company and date unknown.

* cited by examiner

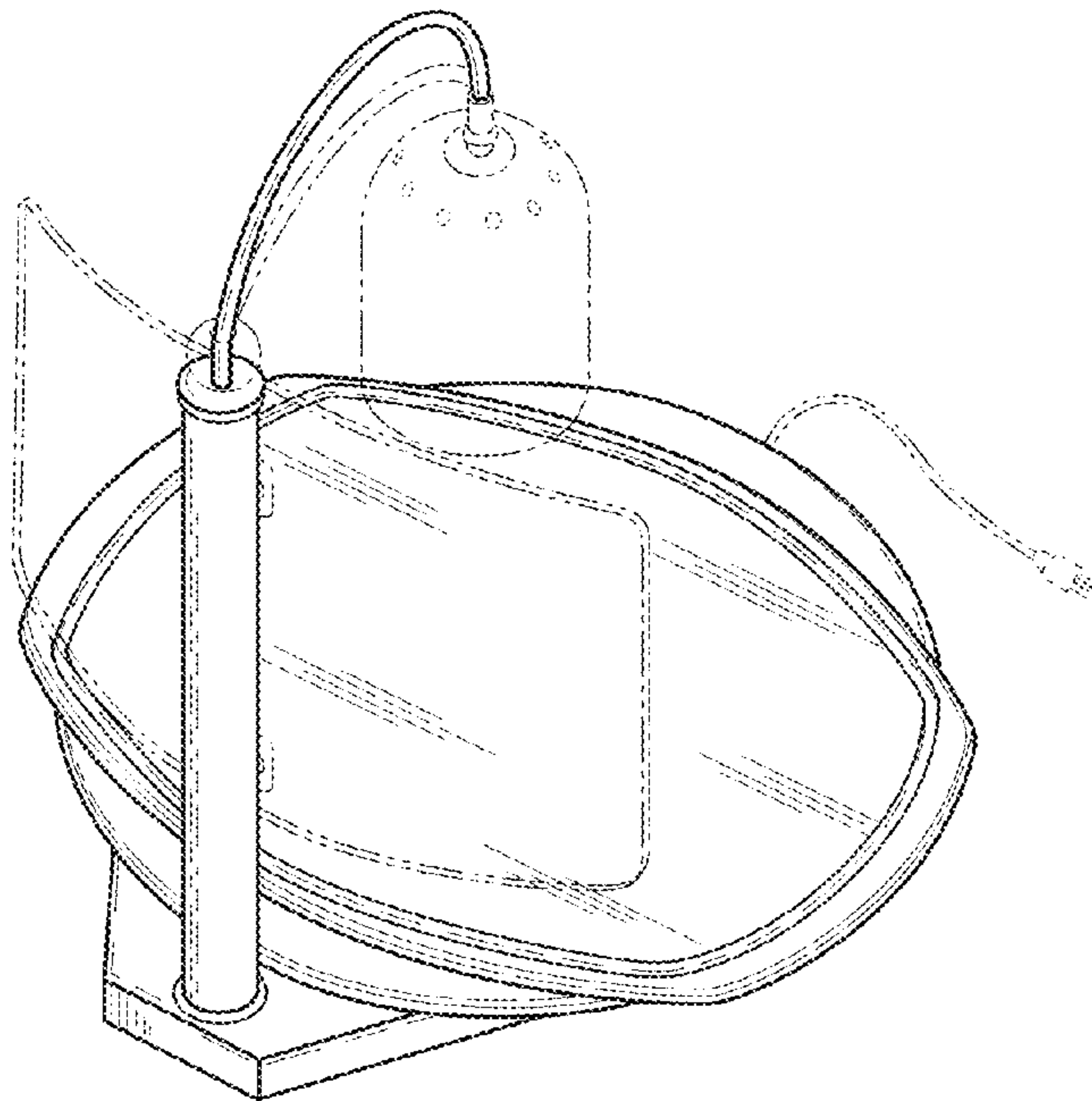


Fig. 1

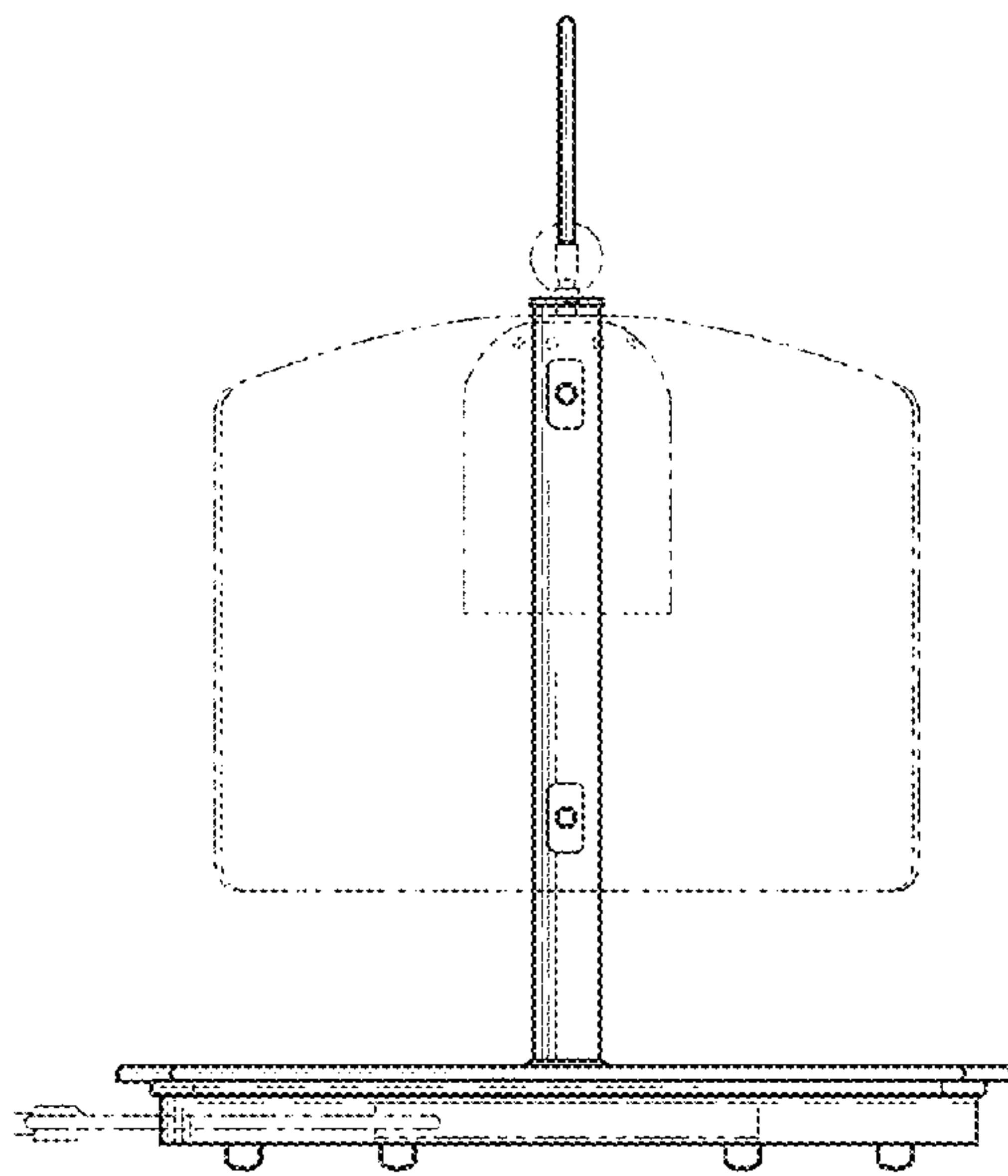


Fig. 2

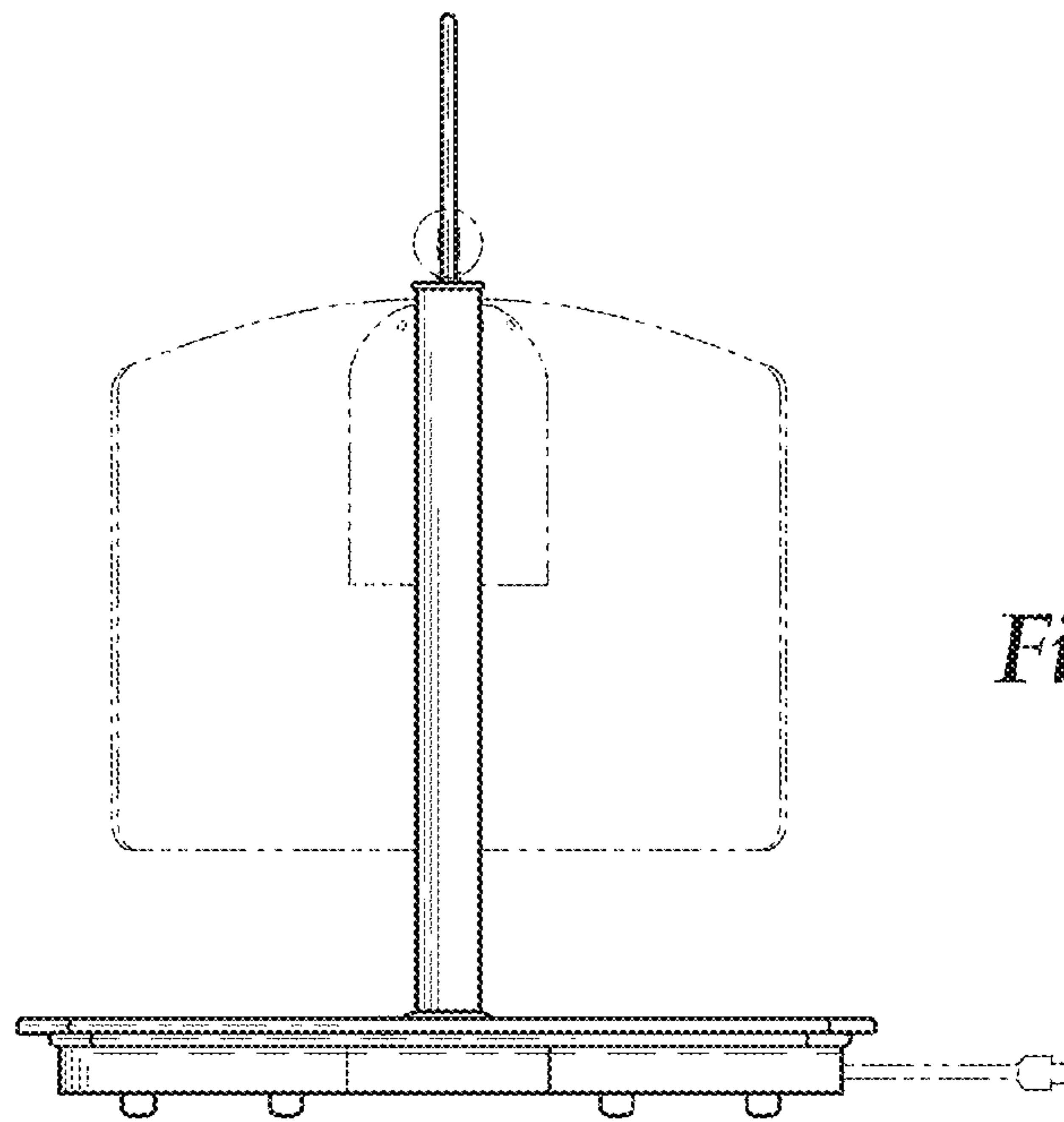


Fig. 3

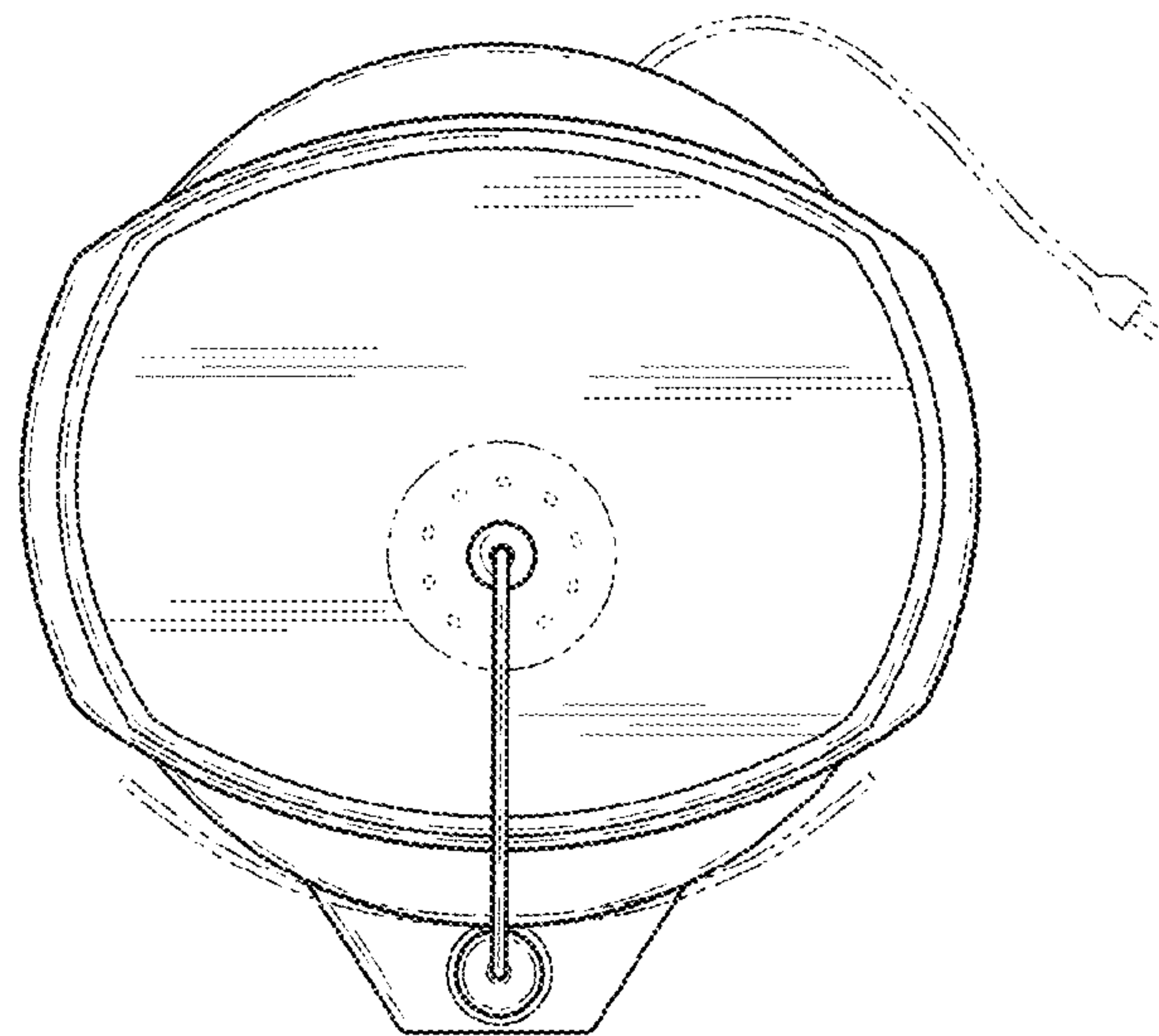


Fig. 4

Fig. 5

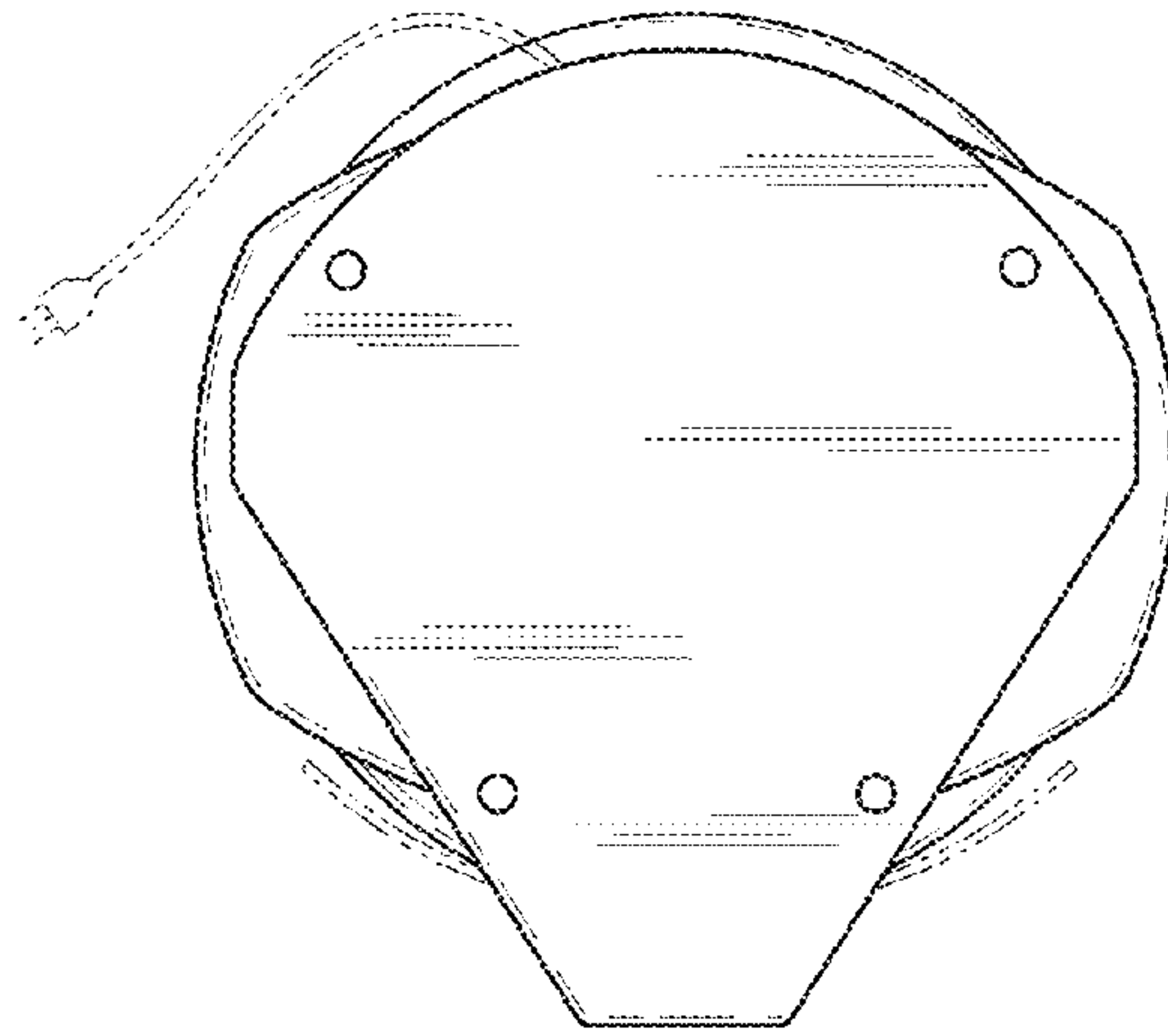


Fig. 6

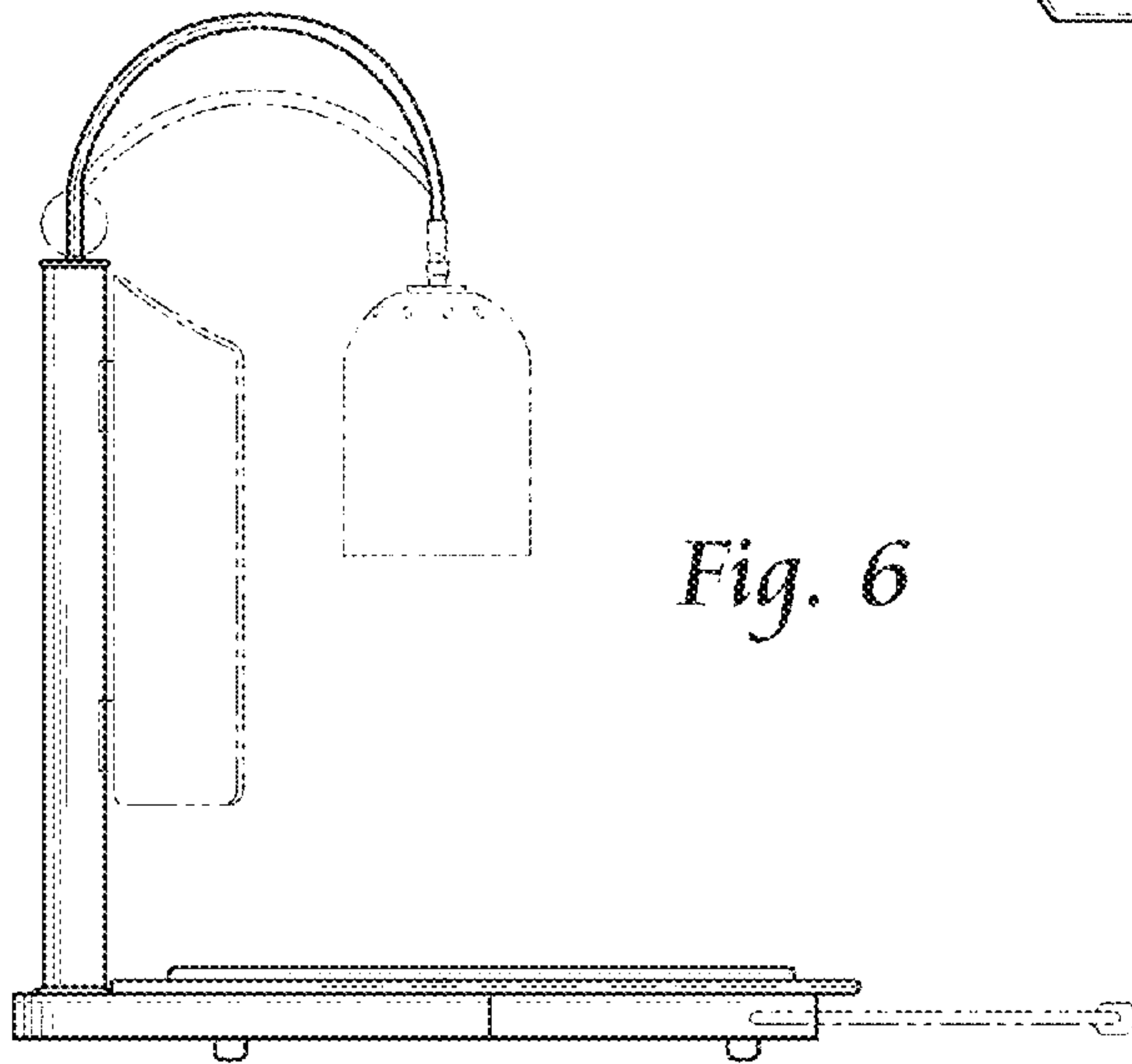


Fig. 7

