



US00D677130S

(12) **United States Design Patent**
Robinson

(10) **Patent No.:** **US D677,130 S**
(45) **Date of Patent:** **** Mar. 5, 2013**

(54) **CUTTING BOARD DEVICE WITH CUTOUT FOR BOWL**

(76) Inventor: **Major C. Robinson**, Palm City, FL (US)

(**) Term: **14 Years**

(21) Appl. No.: **29/426,769**

(22) Filed: **Jul. 10, 2012**

Related U.S. Application Data

(63) Continuation-in-part of application No. 12/846,082, filed on Jul. 29, 2010, now abandoned.

(51) **LOC (9) Cl.** **07-04**

(52) **U.S. Cl.** **D7/698; D7/699**

(58) **Field of Classification Search** D6/349, D6/484; D7/354, 359-360, 368, 392.1, 396.1, D7/409, 412, 505, 546, 549, 550.1, 552.1-552.2, D7/553.1, 553.5, 553.8, 554.3-554.4, 555, D7/586, 637, 667, 673, 698-699; D34/11; 99/324, 357, 449-450, 484; 108/25-26, 108/44; 269/2, 13, 15-16, 289 R, 302.1, 269/575

See application file for complete search history.

(56) **References Cited**

U.S. PATENT DOCUMENTS

166,038	A	7/1875	Stepp	
D152,153	S	* 12/1948	Harvey	D6/349
2,609,024	A	* 9/1952	Russ	269/15
2,942,921	A	6/1960	Rachman et al.	
3,091,339	A	5/1963	Marra et al.	
3,181,483	A	* 5/1965	Devitt et al.	108/25
D254,529	S	3/1980	Arnoff	
D259,166	S	5/1981	Krusche	
D283,777	S	* 5/1986	Morin	D7/698
4,972,781	A	* 11/1990	Montgomery et al.	108/25

5,170,720	A	* 12/1992	Scheurer	108/44
5,363,755	A	* 11/1994	Liang	99/484
D358,511	S	* 5/1995	Frahm	D6/484
5,560,288	A	10/1996	Licari	
5,572,934	A	11/1996	Aldridge et al.	
D390,718	S	2/1998	Howland et al.	
6,129,344	A	10/2000	Yang	
6,371,470	B1	4/2002	Ward	
6,530,331	B2	3/2003	Stanford	
6,745,702	B2	6/2004	Goldberg et al.	
6,779,915	B2	8/2004	Foster, Jr.	
7,077,392	B2	7/2006	Siegel et al.	
D545,523	S	* 6/2007	Goldberg et al.	D34/11
7,290,490	B2	11/2007	Goldberg et al.	
D573,419	S	* 7/2008	Kaposi	D7/698
D574,200	S	8/2008	Pearl et al.	
7,422,201	B2	* 9/2008	Pearl et al.	269/289 R
D605,908	S	* 12/2009	Pearl et al.	D7/698
7,637,154	B1	12/2009	Robbins	
2003/0218290	A1	* 11/2003	Goldberg et al.	269/289 R
2003/0227119	A1	12/2003	Jackson	

* cited by examiner

Primary Examiner — Ricky Pham

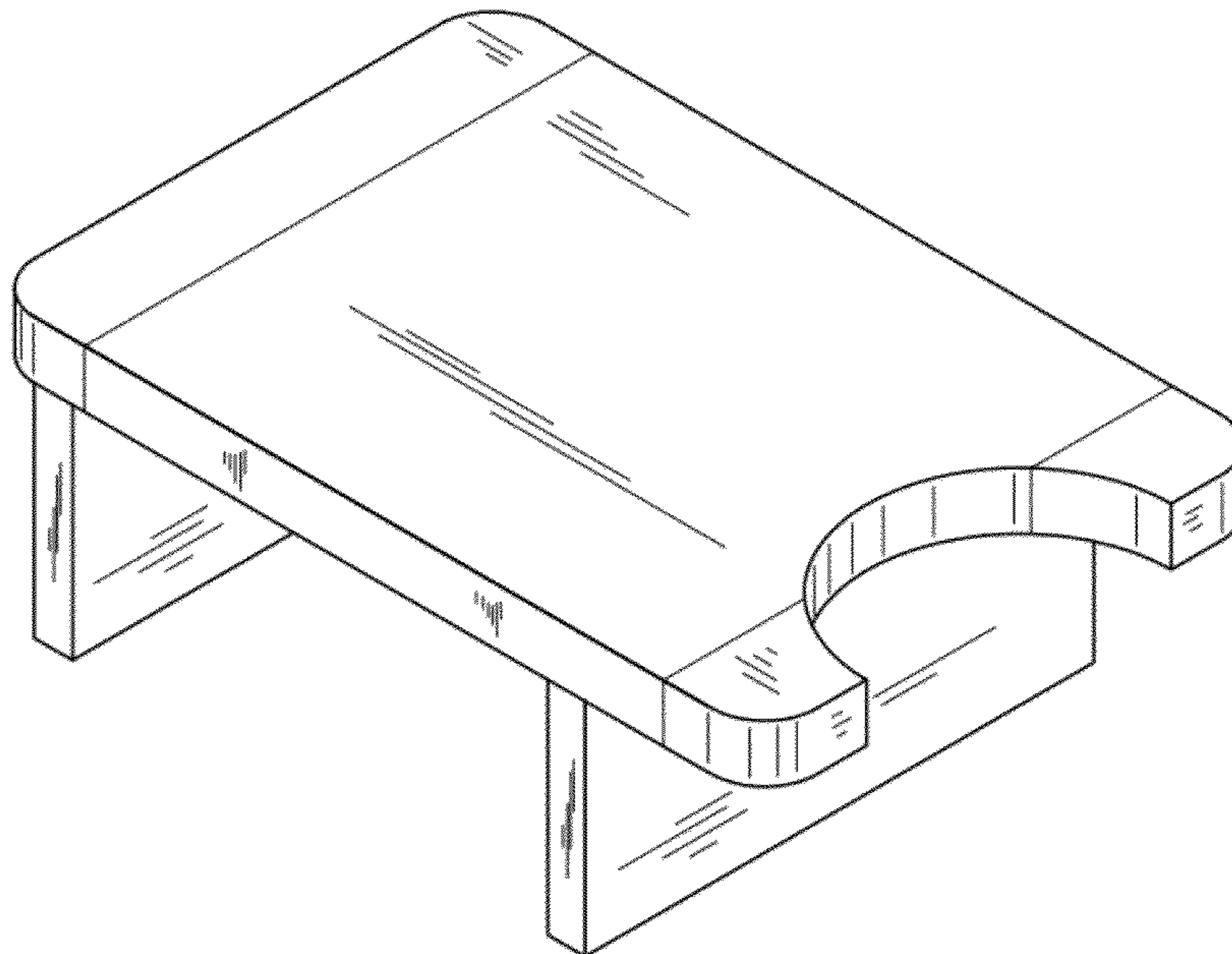
(57) **CLAIM**

The ornamental design for a cutting board device with cutout for bowl, as shown and described.

DESCRIPTION

FIG. 1 is a perspective view of a cutting board device with cutout for bowl showing my new design; FIG. 2 is a side view (opposite side view is mirror image) thereof; FIG. 3 is a front view thereof; FIG. 4 is a back view thereof; FIG. 5 is a top view thereof; and, FIG. 6 is a bottom view thereof.

1 Claim, 4 Drawing Sheets



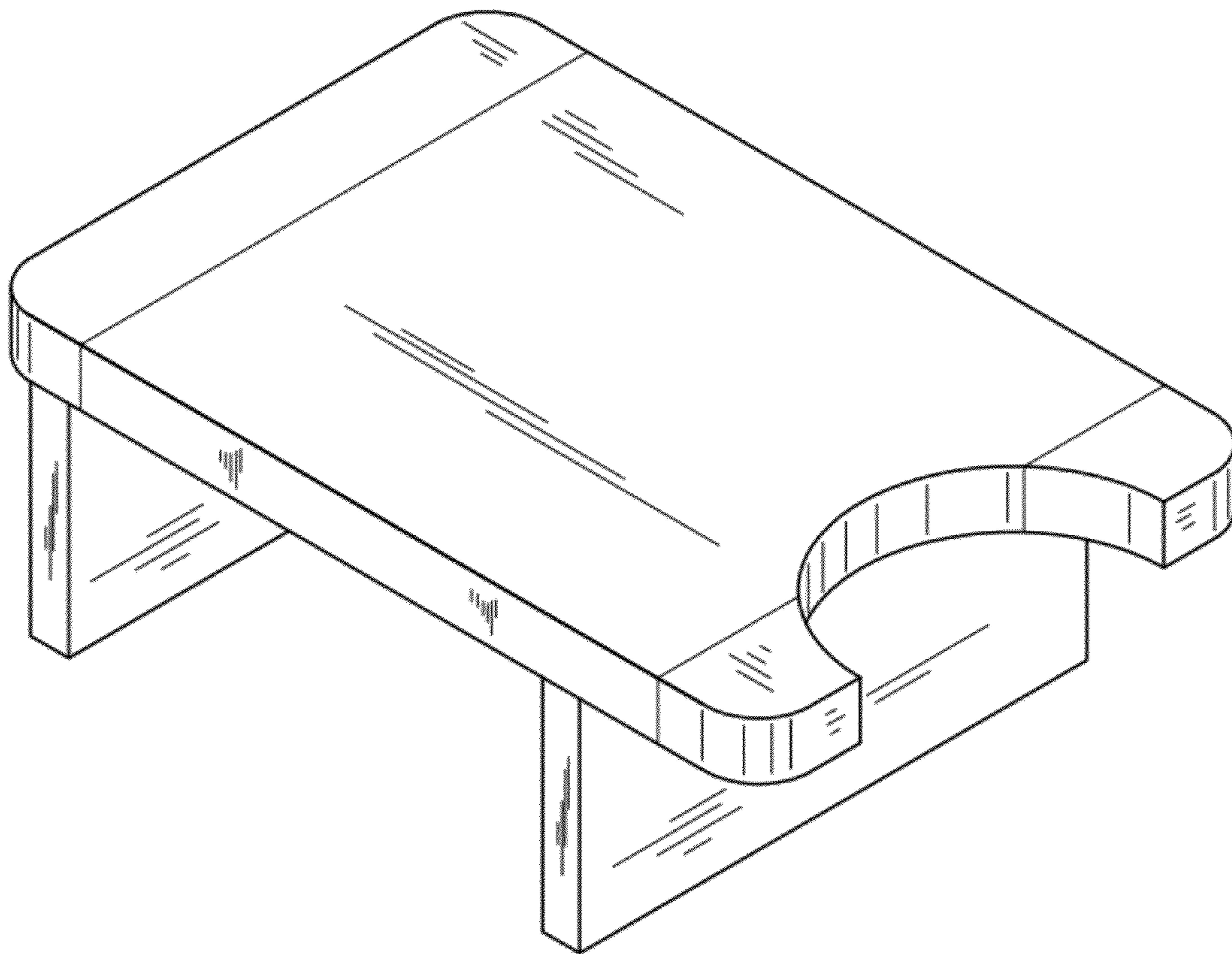


FIG. 1

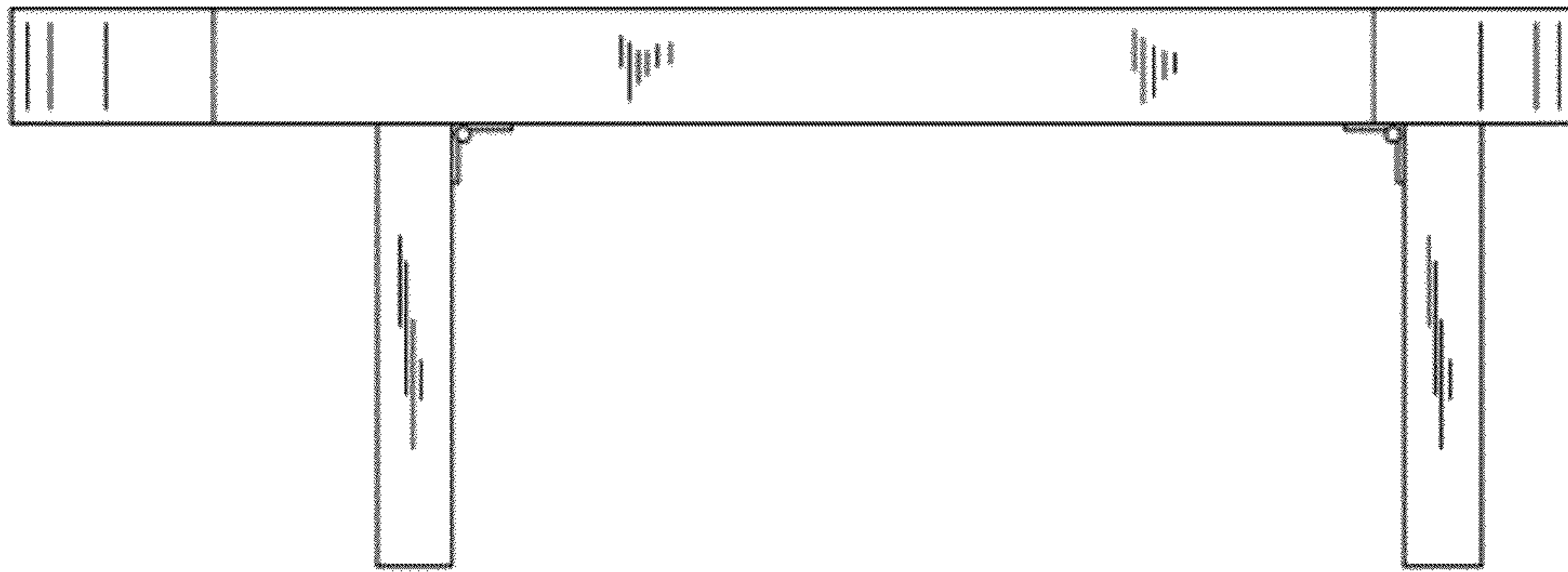


FIG. 2

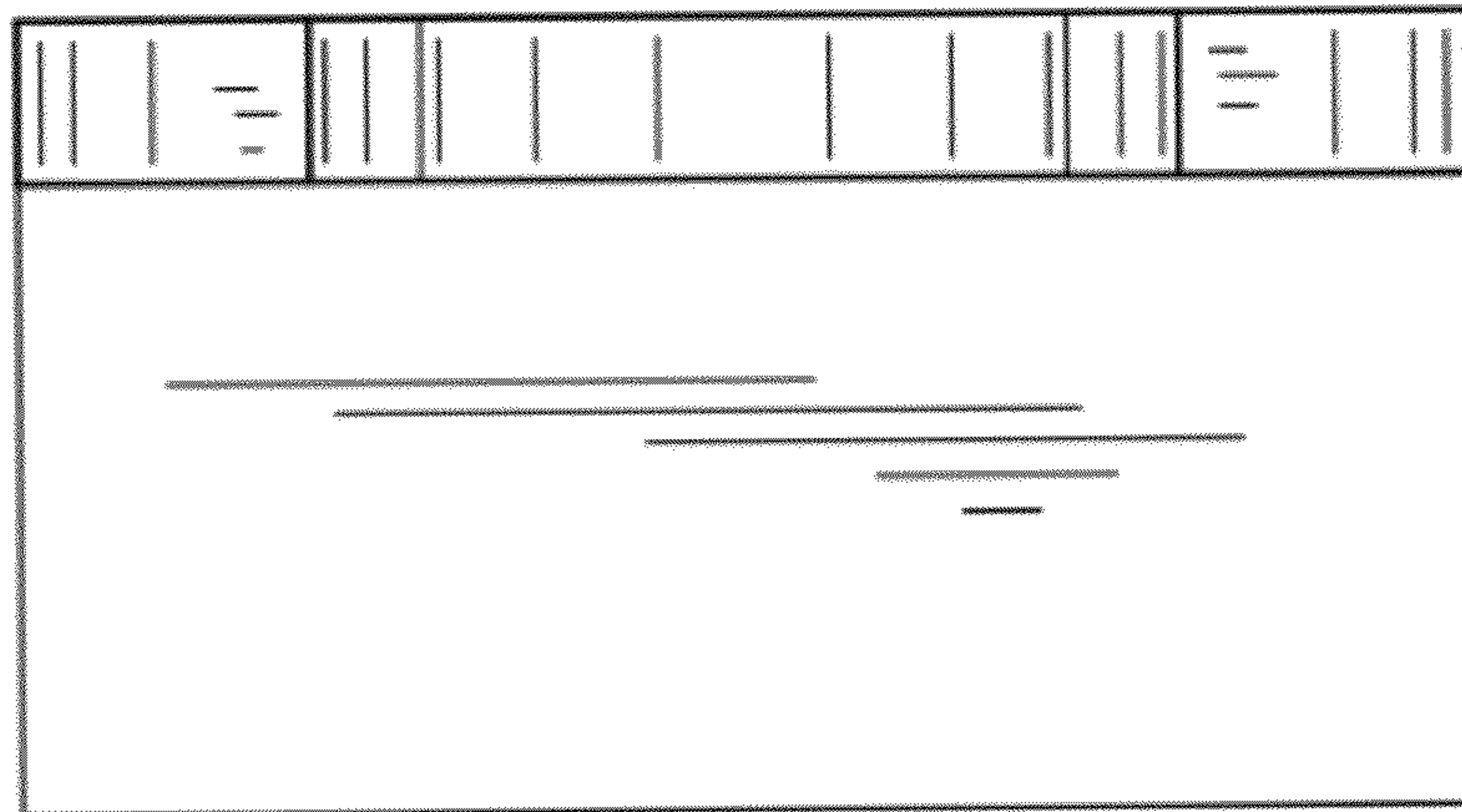


FIG. 3

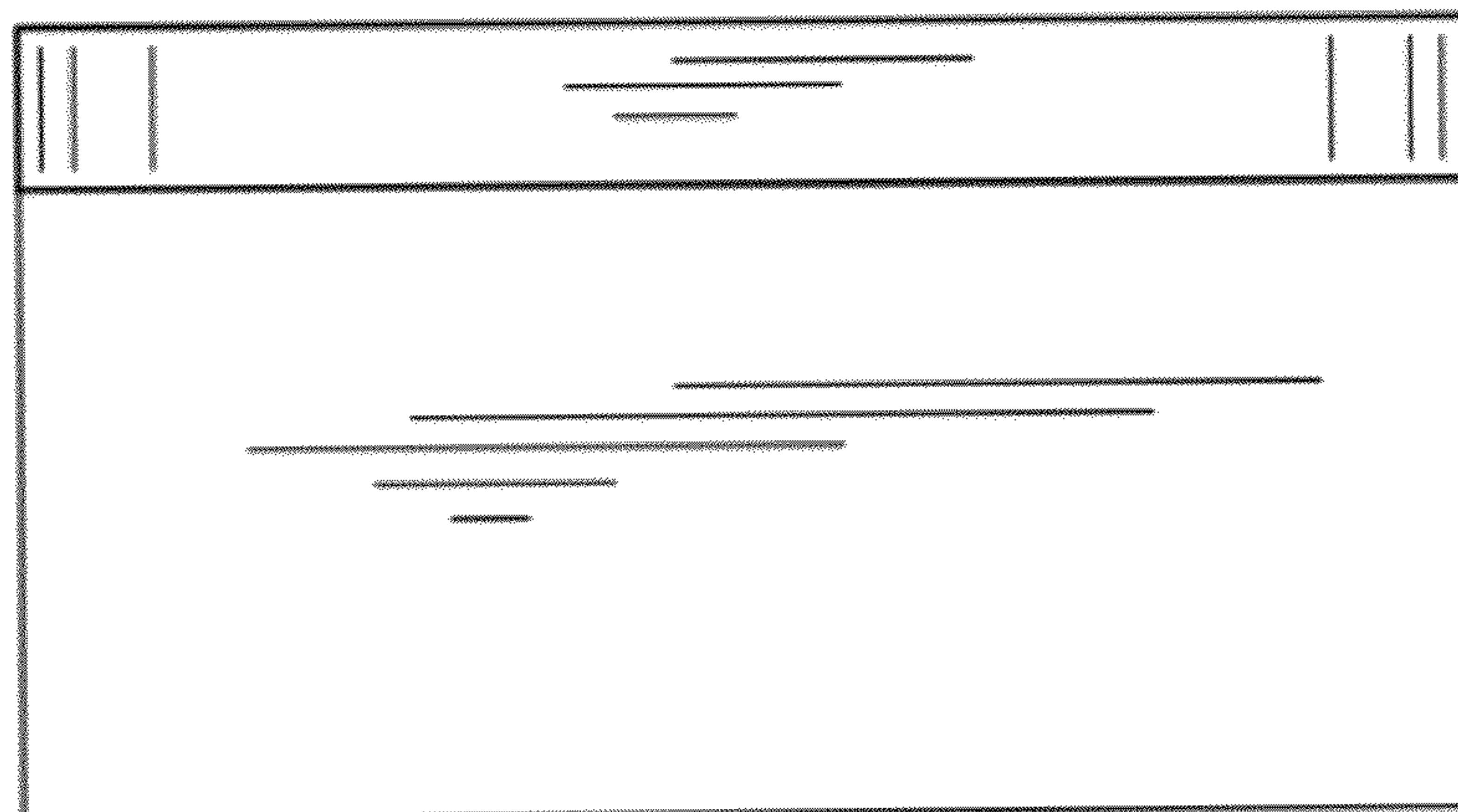


FIG. 4

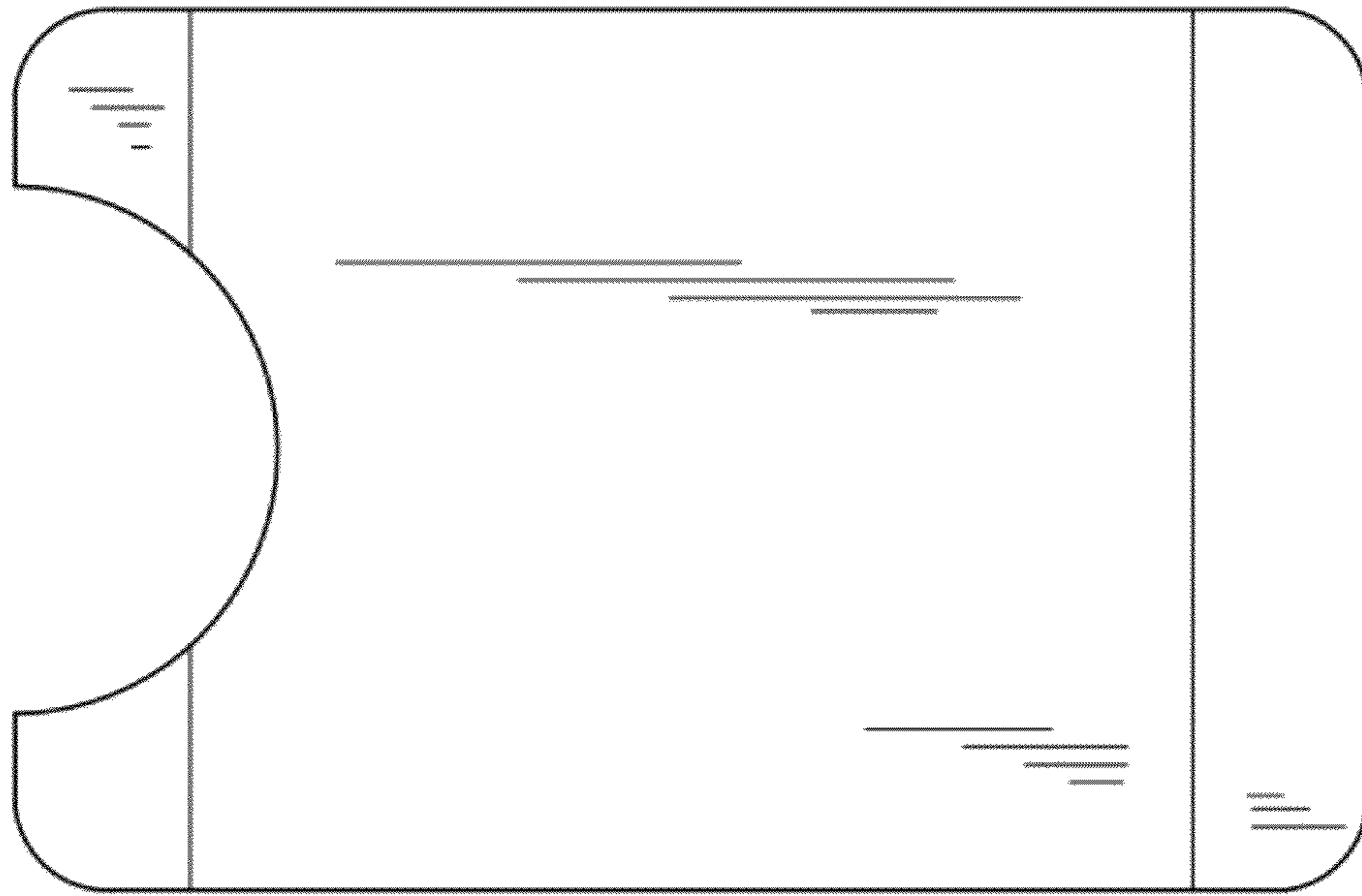


FIG. 5

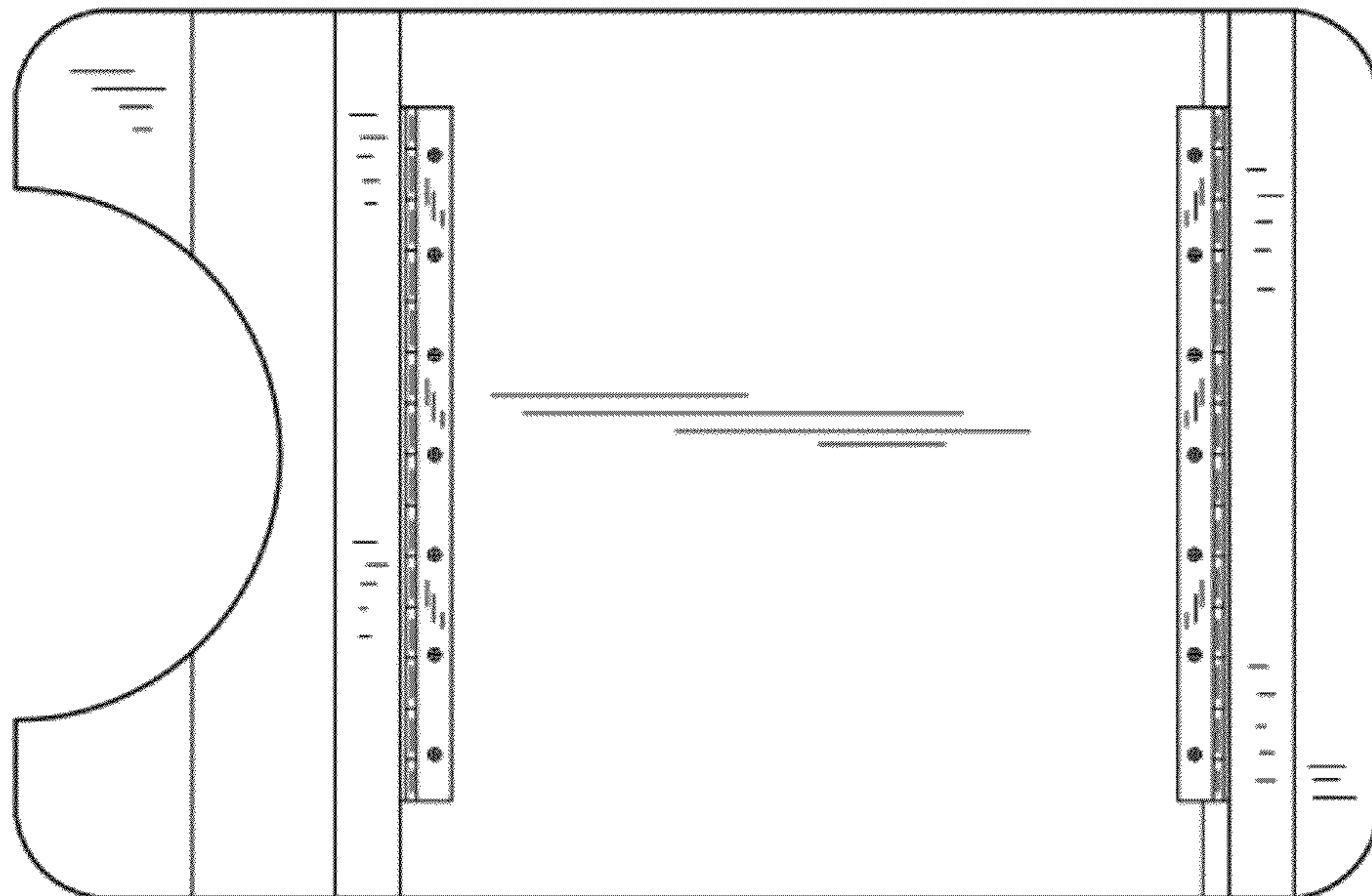


FIG. 6