



US00D677120S

(12) **United States Design Patent**
DeMiglio et al.

(10) **Patent No.:** **US D677,120 S**
(45) **Date of Patent:** **** Mar. 5, 2013**

(54) **BEVERAGE BREWING DEVICE**

7,815,953 B2 * 10/2010 Mastropasqua et al. 426/77
D652,266 S * 1/2012 Smyers D7/630
8,147,887 B2 * 4/2012 Dogan et al. 426/77

(75) Inventors: **Ron R. DeMiglio**, Snohomish, WA
(US); **Mark J. Staudacher**, Snohomish,
WA (US); **Randy R. Anderson**,
Stanwood, WA (US)

* cited by examiner

(73) Assignee: **Eko Brands, LLC**, Mukilteo, WA (US)

Primary Examiner — Marianne Pandozzi
(74) *Attorney, Agent, or Firm* — Christensen O'Connor
Johnson Kindness PLLC

(**) Term: **14 Years**

(57) **CLAIM**

(21) Appl. No.: **29/427,382**

The ornamental design for a beverage brewing device, as
shown and described.

(22) Filed: **Jul. 17, 2012**

DESCRIPTION

Related U.S. Application Data

(63) Continuation of application No. 13/236,549, filed on
Sep. 19, 2011.

(51) **LOC (9) Cl.** **07-99**

(52) **U.S. Cl.** **D7/400**

(58) **Field of Classification Search** D7/400,
D7/279, 280; 426/79; 206/222; 99/317,
99/279, 280

See application file for complete search history.

FIG. 1 is a top perspective view of a beverage brewing device
according to our new design;

FIG. 2 is a bottom perspective view of the beverage brewing
device of FIG. 1;

FIG. 3 is a front elevational view of the beverage brewing
device of FIG. 1;

FIG. 4 is a side elevational view of the beverage brewing
device of FIG. 1;

FIG. 5 is a rear elevational view of the beverage brewing
device of FIG. 1;

FIG. 6 is a top plan view of the beverage brewing device of
FIG. 1; and,

FIG. 7 is a bottom plan view of the beverage brewing device
of FIG. 1.

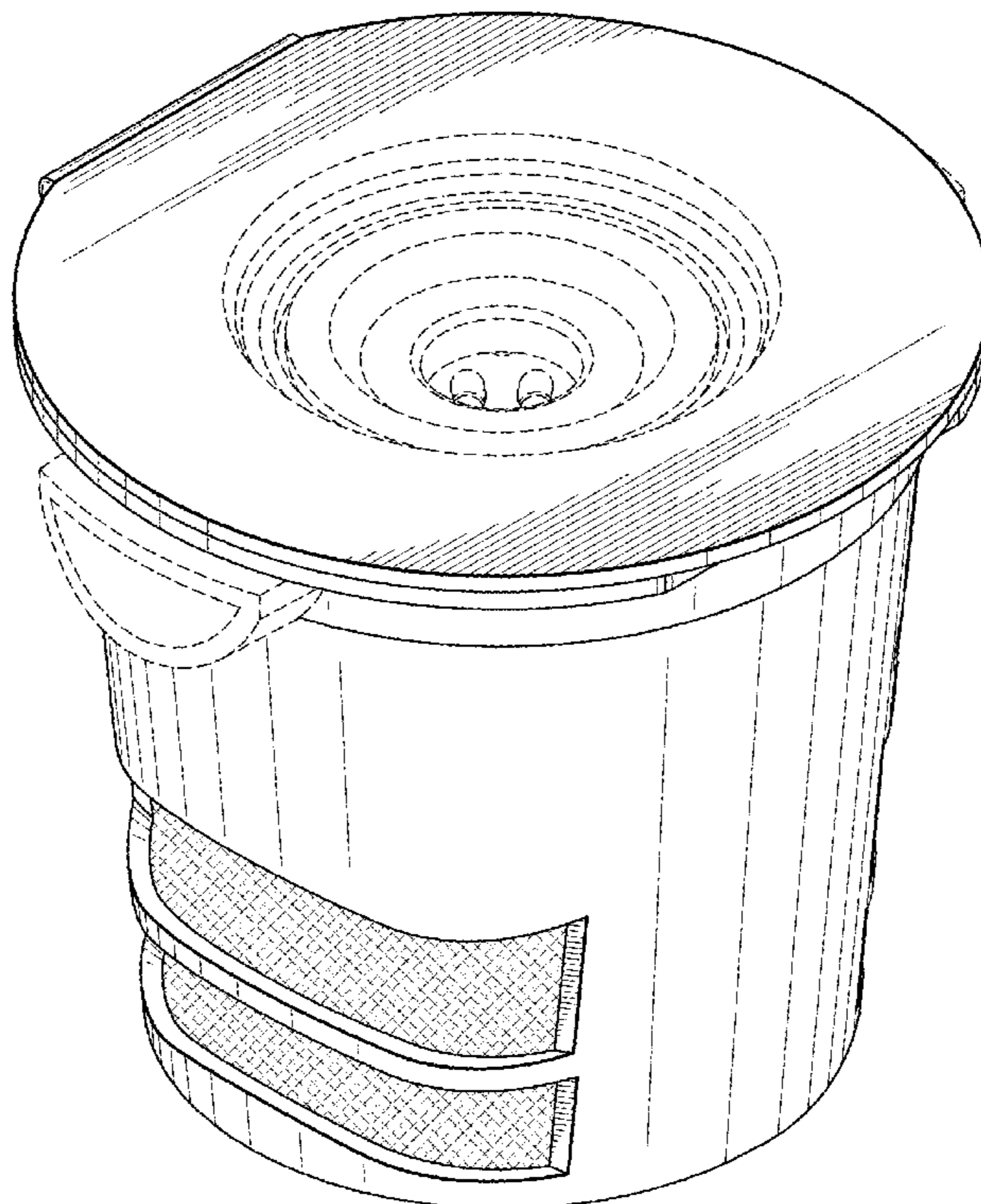
The broken lines in the drawings are included for the purpose
of illustration and form no part of the claimed design.

(56) **References Cited**

U.S. PATENT DOCUMENTS

D340,382 S * 10/1993 Bannigan D7/400
D349,211 S * 8/1994 Cerato D7/400
D567,021 S * 4/2008 Bach et al. D7/400
D606,363 S * 12/2009 Aardenburg D7/400

1 Claim, 7 Drawing Sheets



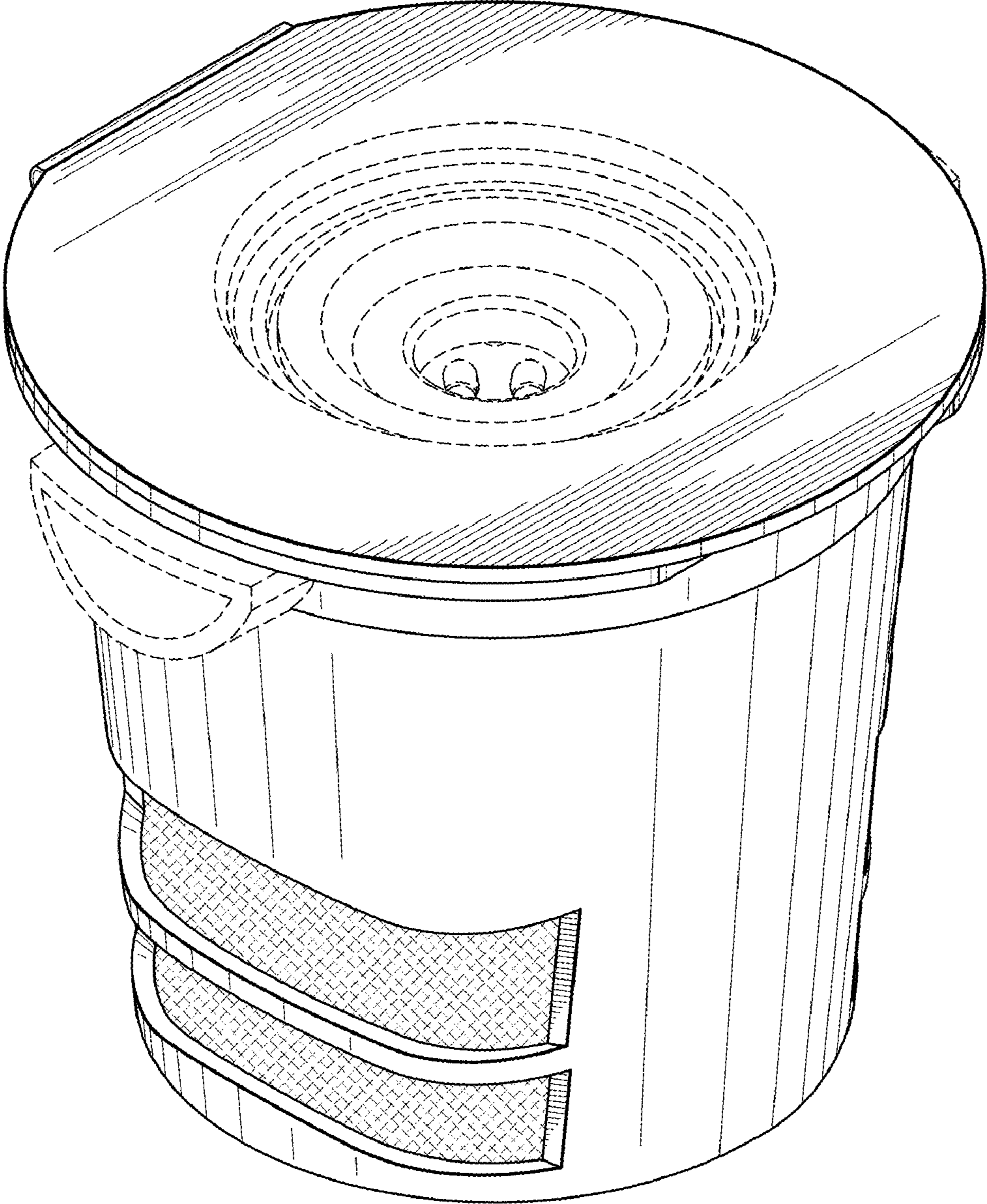


Fig. 1.

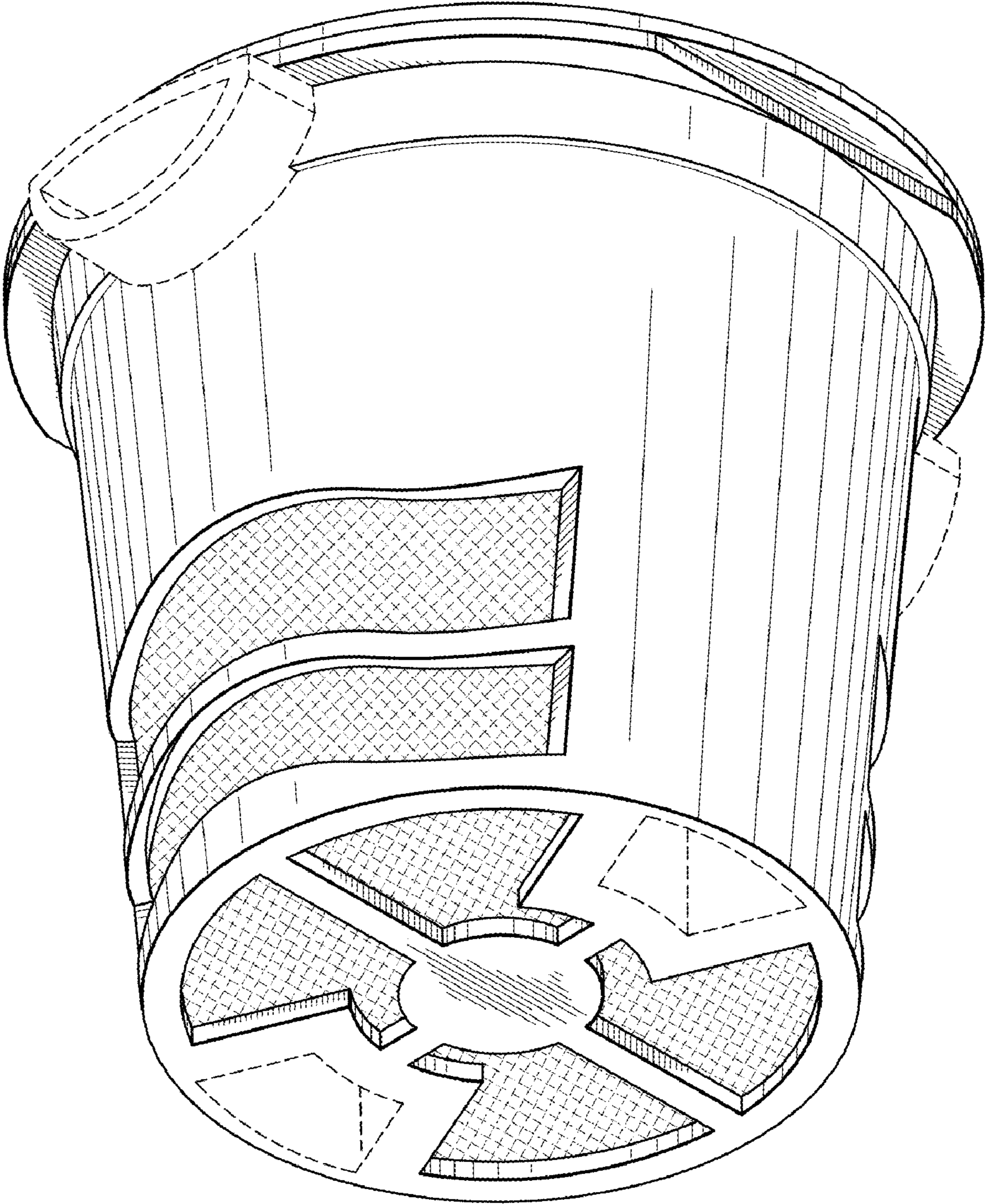


Fig. 2.

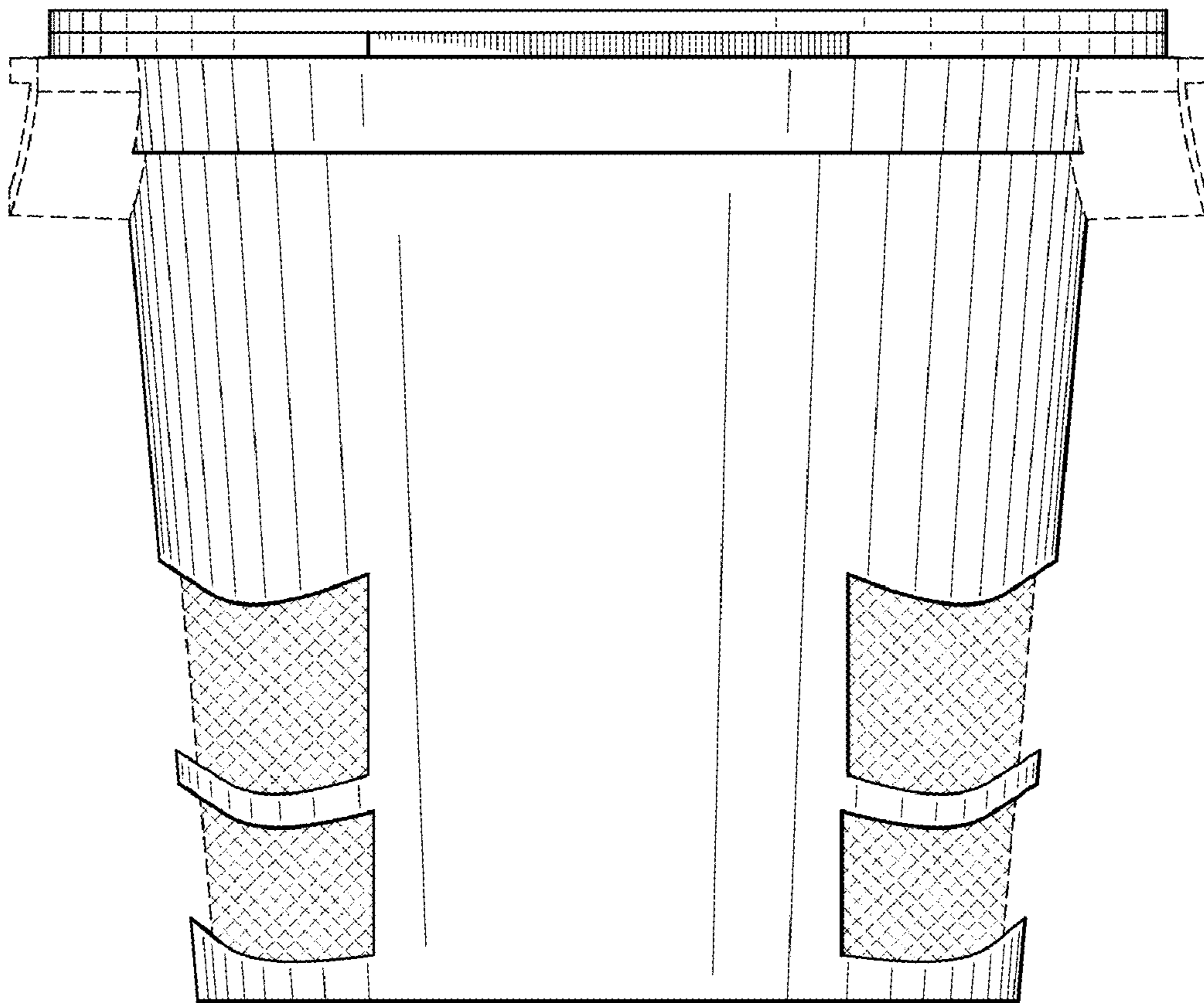


Fig. 3.

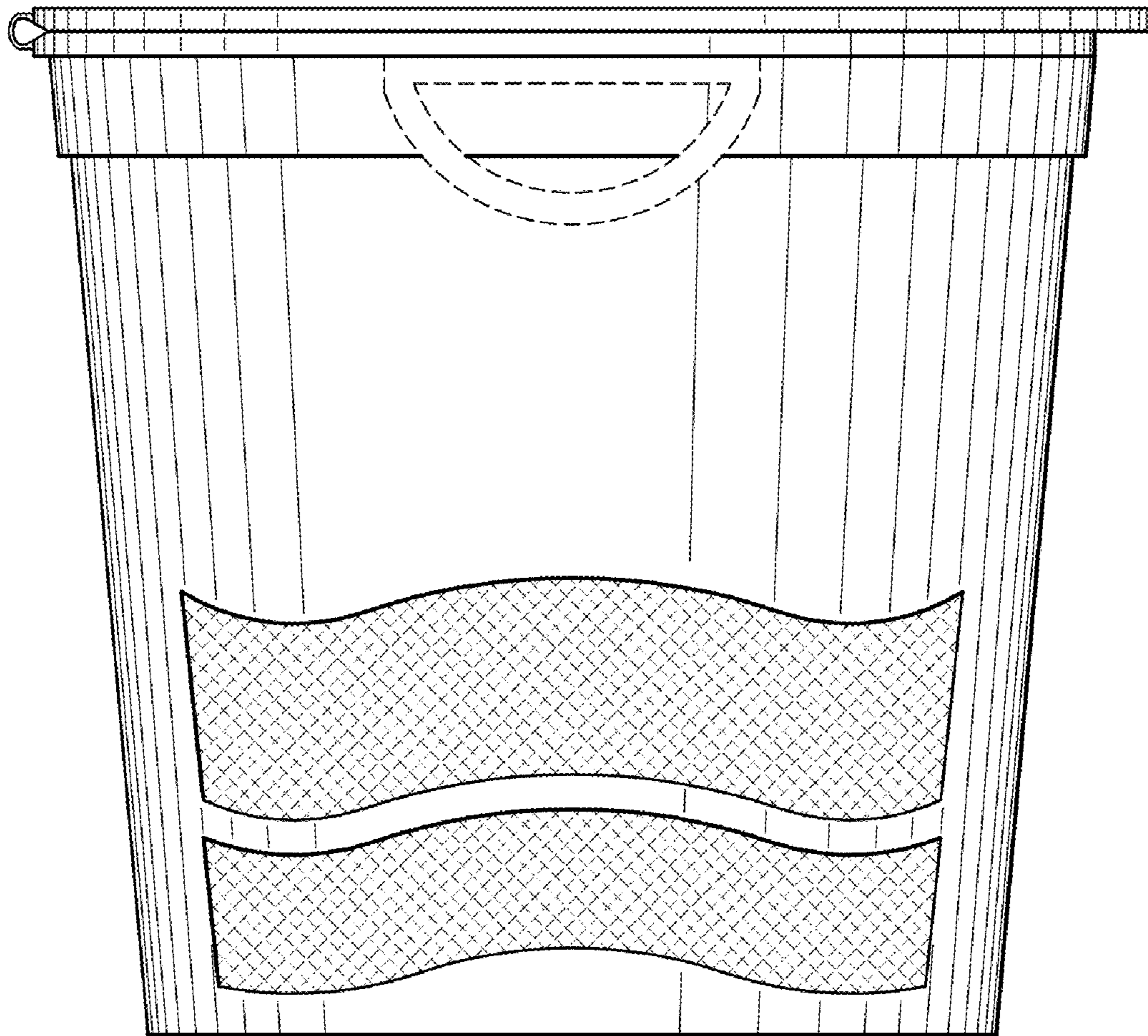


Fig. 4.

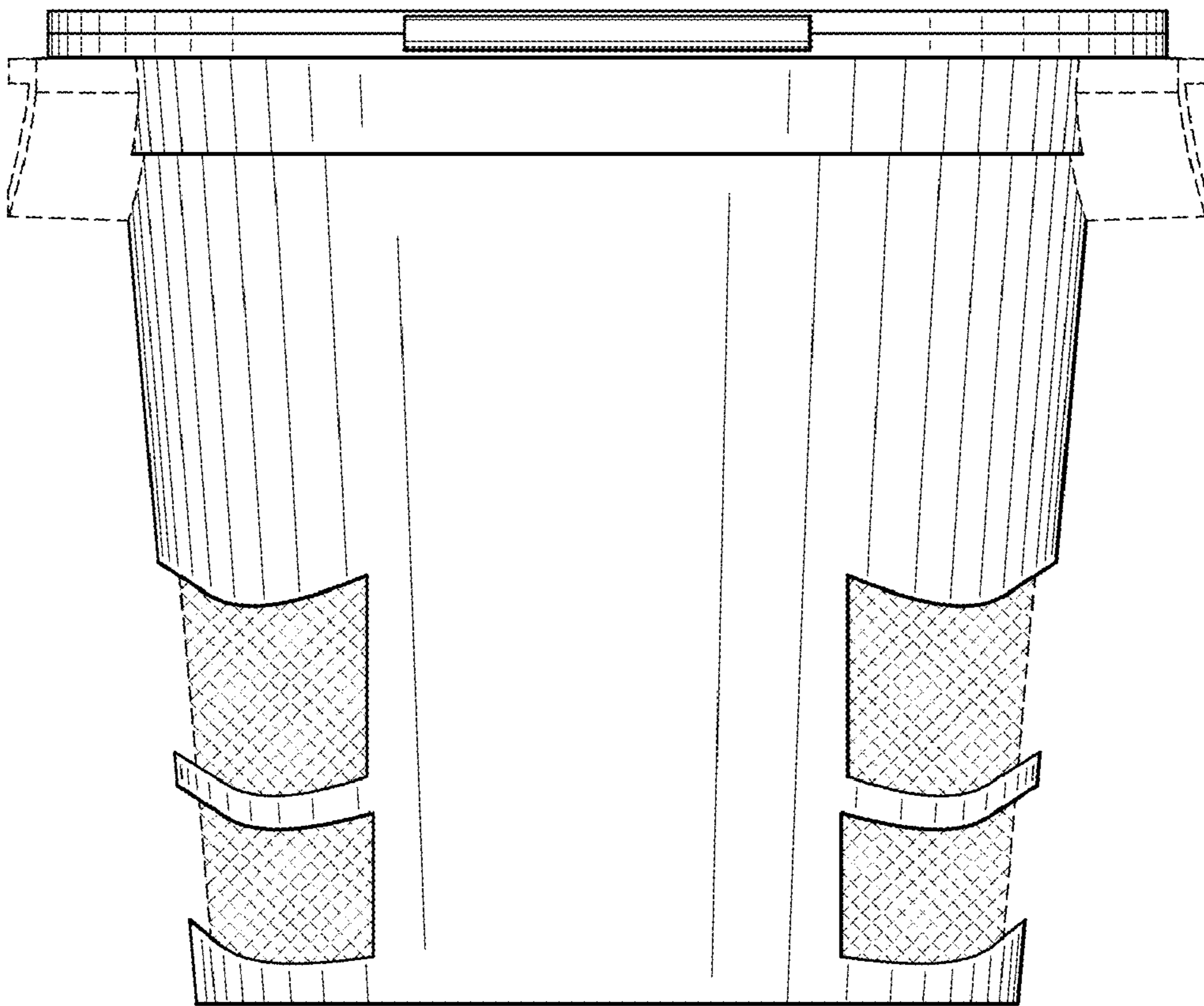


Fig. 5.

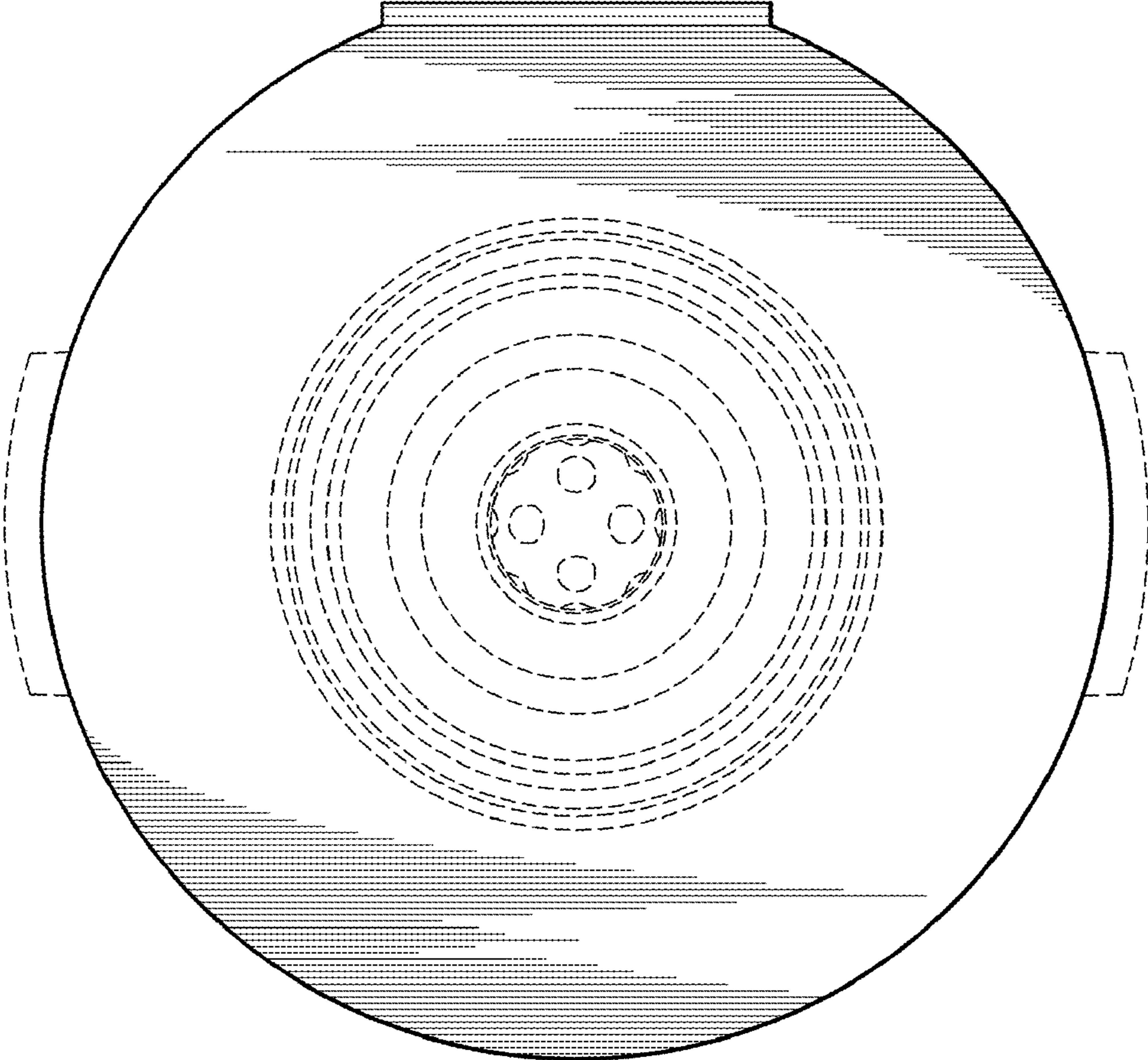


Fig. 6.

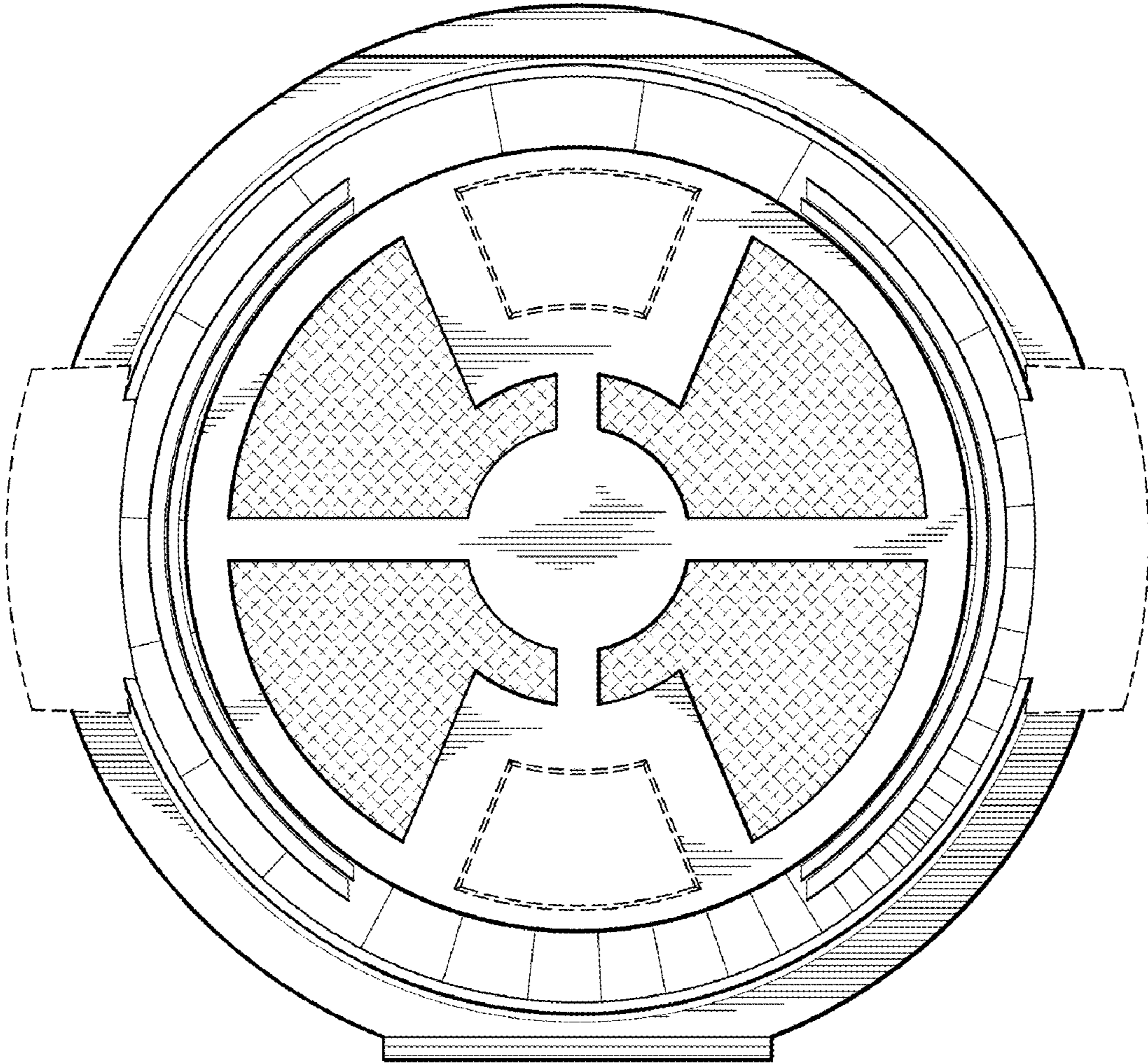


Fig. 7.