



US00D677119S

(12) **United States Design Patent**  
**Ying**

(10) **Patent No.:** **US D677,119 S**  
(45) **Date of Patent:** **\*\* Mar. 5, 2013**

(54) **STAINLESS STEEL BOTTLE LID**  
(76) Inventor: **Lihang Ying**, Edmonton (CA)  
(\*\*) Term: **14 Years**

(21) Appl. No.: **29/396,773**  
(22) Filed: **Jul. 7, 2011**  
(51) **LOC (9) Cl.** ..... **07-02**  
(52) **U.S. Cl.** ..... **D7/392.1**  
(58) **Field of Classification Search** ..... D7/305,  
D7/314, 391, 392, 392.1, 394, 396.2, 511,  
D7/900; D9/435, 436, 443, 447, 448, 449,  
D9/450, 451, 453, 456, 631; 222/81, 83,  
222/153.07, 158, 205, 519, 530, 533, 556;  
220/200, 212.5; 215/306, 305, 228, 200  
See application file for complete search history.

(56) **References Cited**  
**U.S. PATENT DOCUMENTS**  
3,119,541 A \* 1/1964 Lynn ..... 229/5.5  
D332,379 S \* 1/1993 Murphy ..... D7/391  
D511,457 S \* 11/2005 Biesecker et al. .... D9/443  
D612,235 S \* 3/2010 Cresswell et al. .... D9/443  
D612,240 S \* 3/2010 Cresswell et al. .... D9/504  
D616,743 S \* 6/2010 Cresswell et al. .... D9/443  
D620,357 S \* 7/2010 Jewett et al. .... D9/443  
D630,475 S \* 1/2011 Lu ..... D7/629

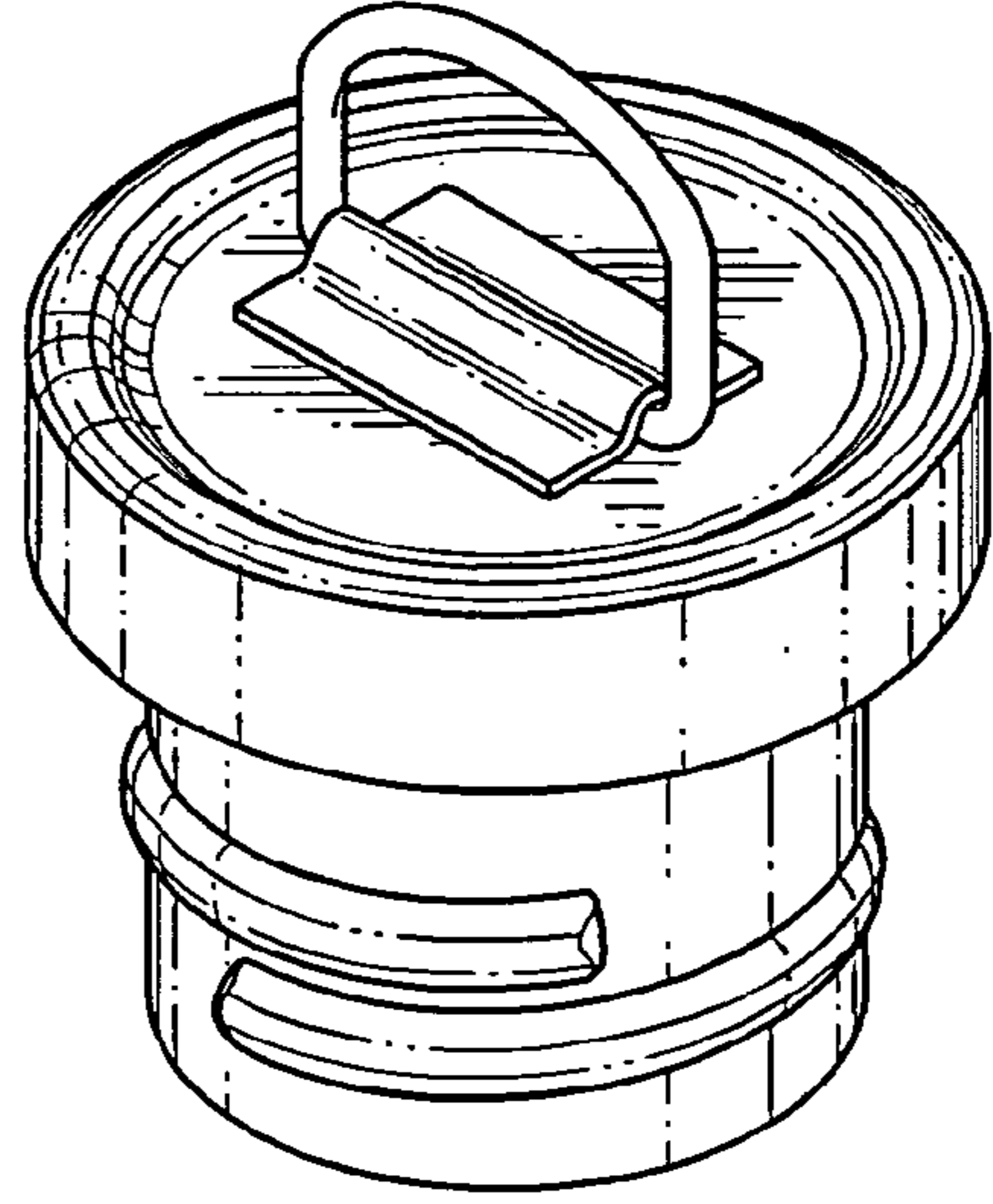
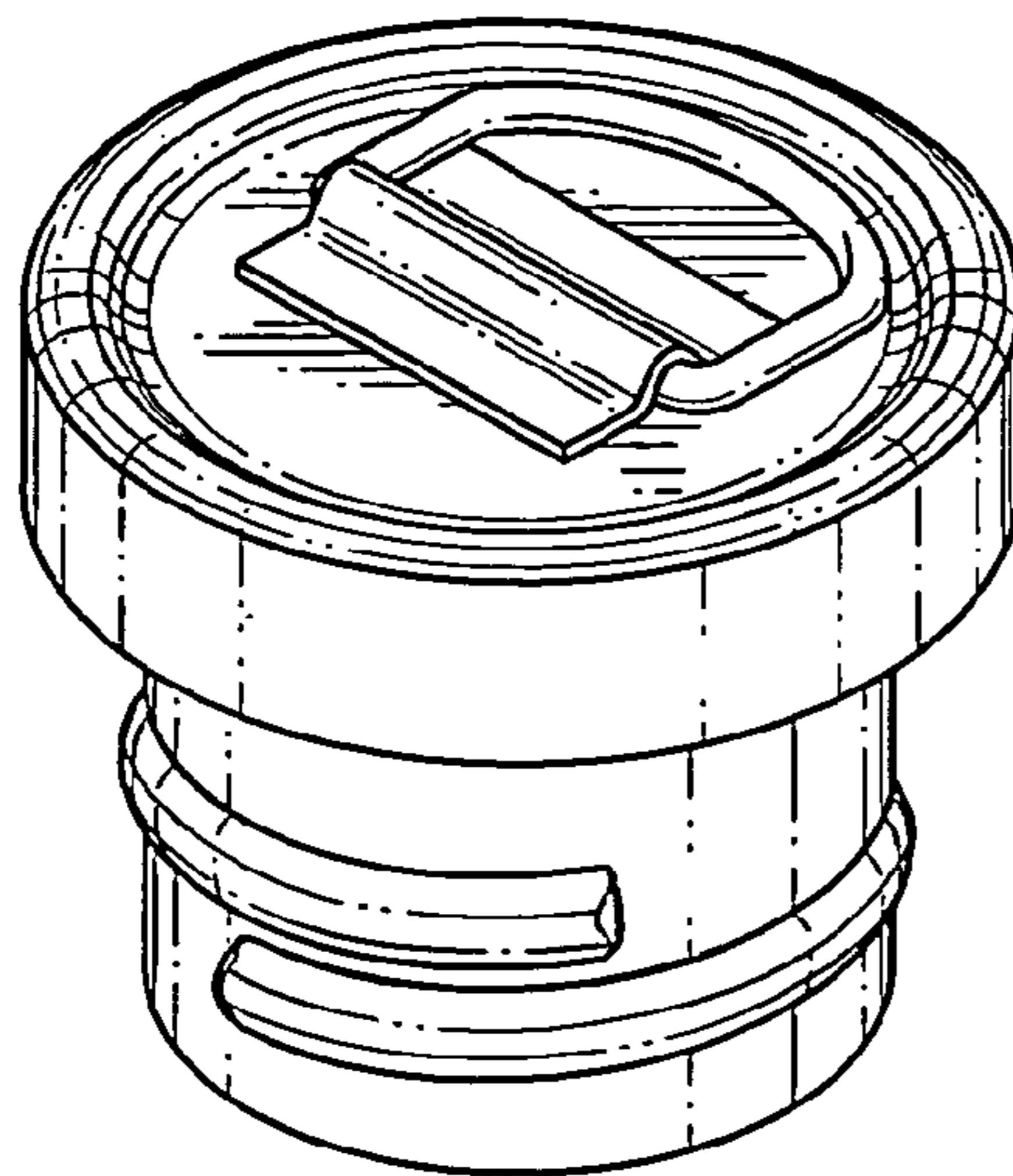
\* cited by examiner

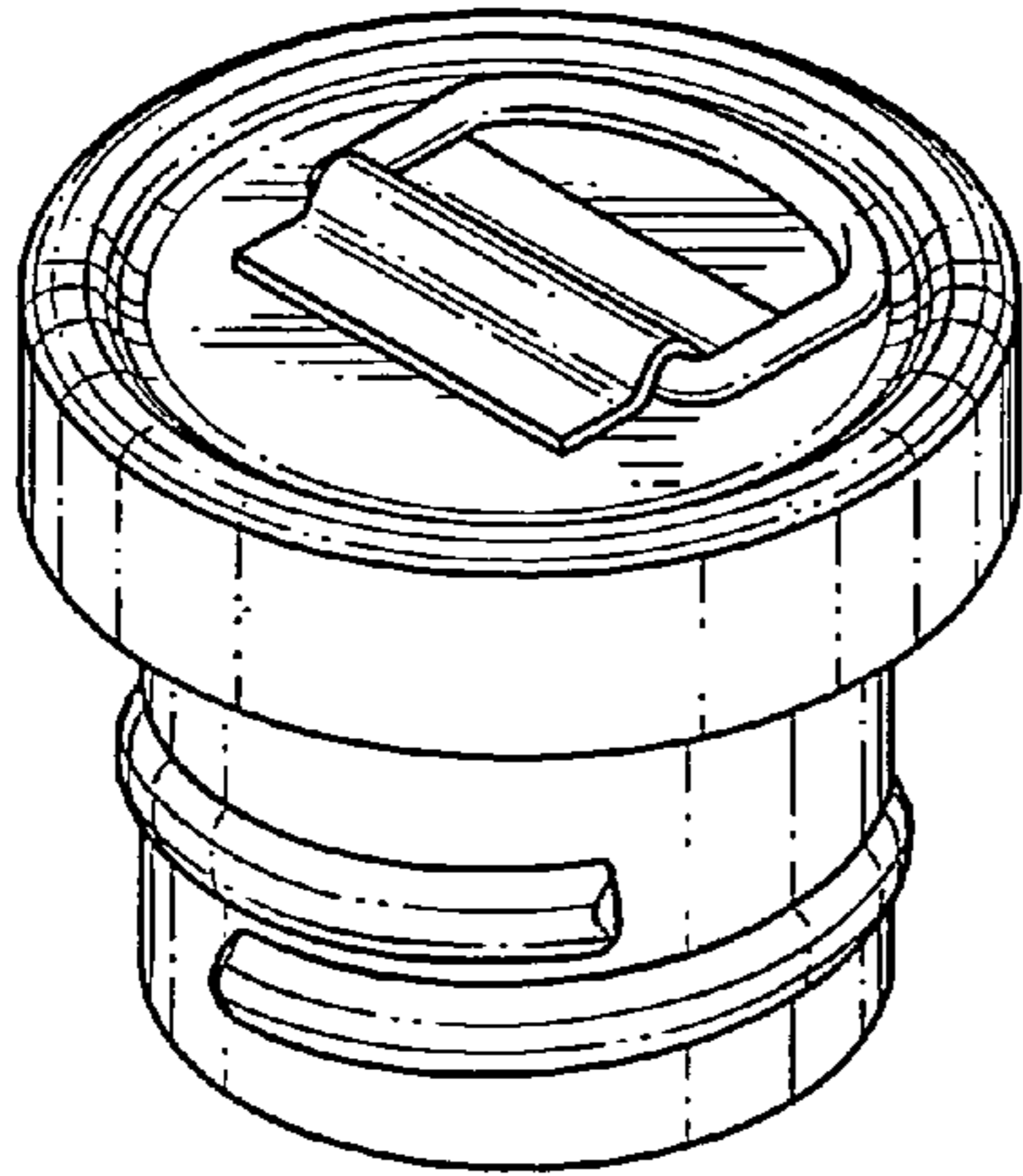
Primary Examiner — Cynthia M Chin

(57) **CLAIM**  
The ornamental design for a stainless steel bottle lid, as shown and described.

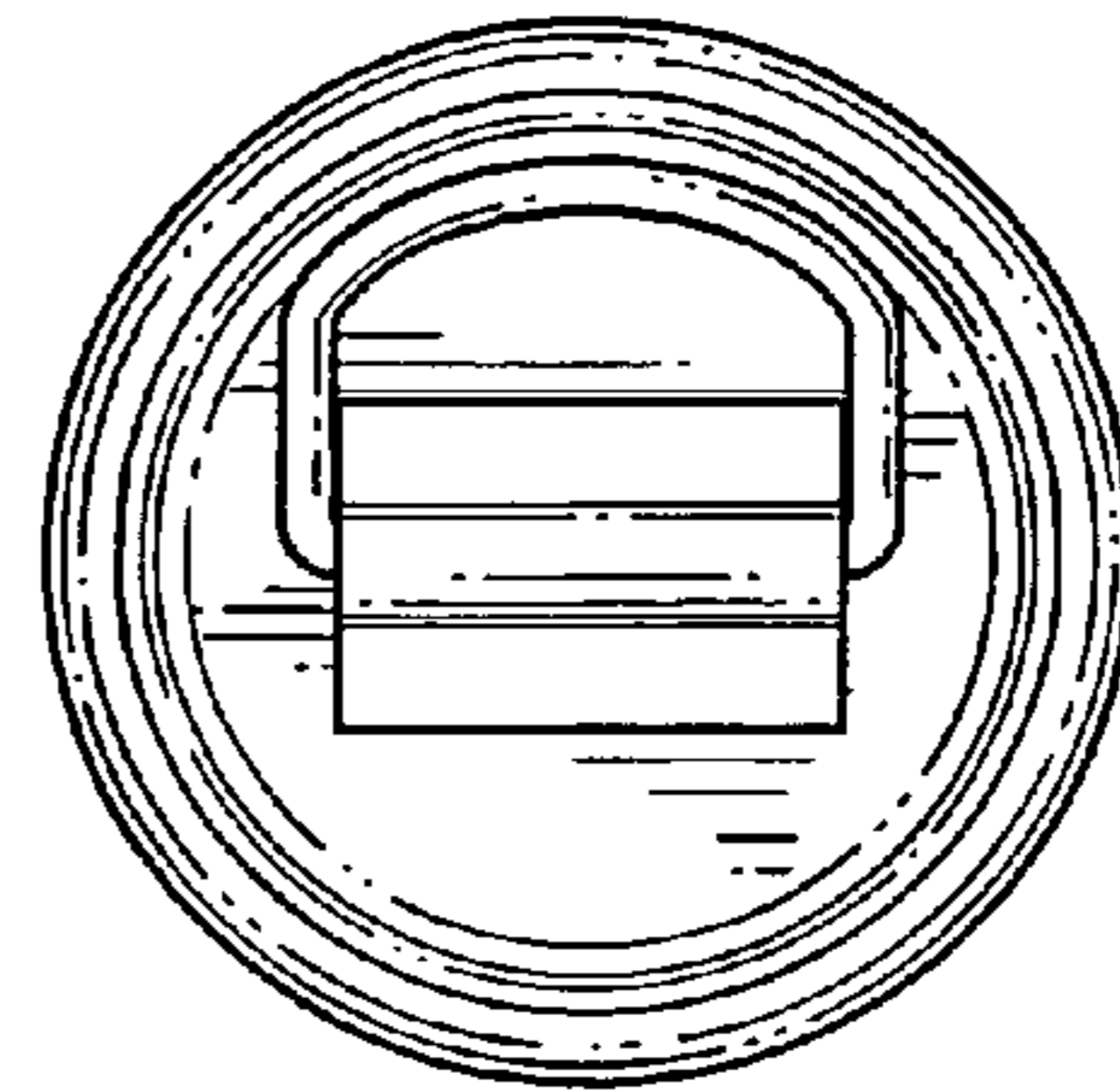
**DESCRIPTION**  
FIG. 1 is a perspective view of a stainless steel bottle lid;  
FIG. 2 is a front view of a stainless steel bottle lid;  
FIG. 3 is a rear view of a stainless steel bottle lid;  
FIG. 4 is a left side view of a stainless steel bottle lid;  
FIG. 5 is a right side view of a stainless steel bottle lid;  
FIG. 6 is a top view of a stainless steel bottle lid;  
FIG. 7 is a bottom view of a stainless steel bottle lid;  
FIG. 8 is an alternate perspective view having the handle rotated of a stainless steel bottle lid;  
FIG. 9 is a front view having the handle rotated of a stainless steel bottle lid;  
FIG. 10 is a rear view having the handle rotated of a stainless steel bottle lid;  
FIG. 11 is a left side view having the handle rotated of a stainless steel bottle lid;  
FIG. 12 is a right side view having the handle rotated of a stainless steel bottle lid;  
FIG. 13 is a top view having the handle rotated of a stainless steel bottle lid; and,  
FIG. 14 is a bottom view having the handle rotated of a stainless steel bottle lid.  
The broken lines shown in the Figures depict environmental subject matter only and form no part of the claimed design.

**1 Claim, 2 Drawing Sheets**

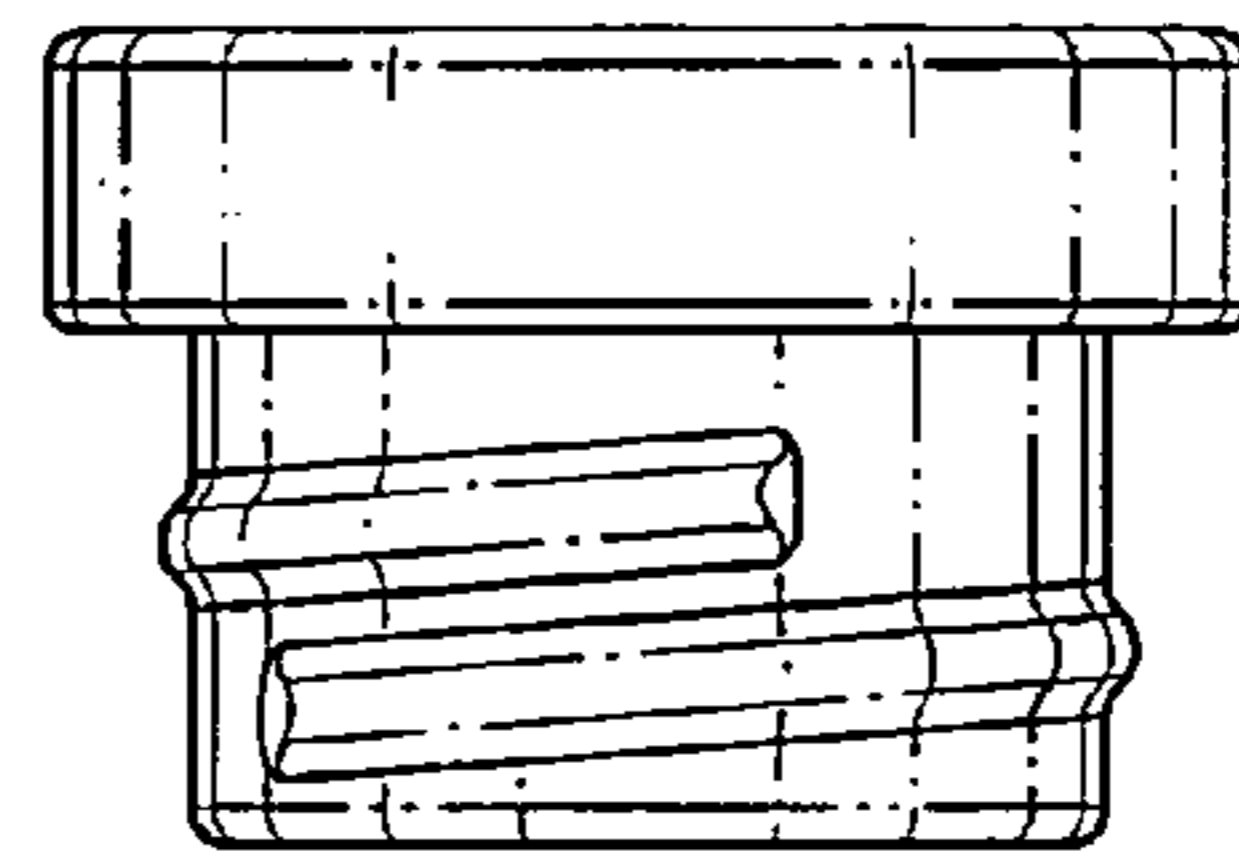




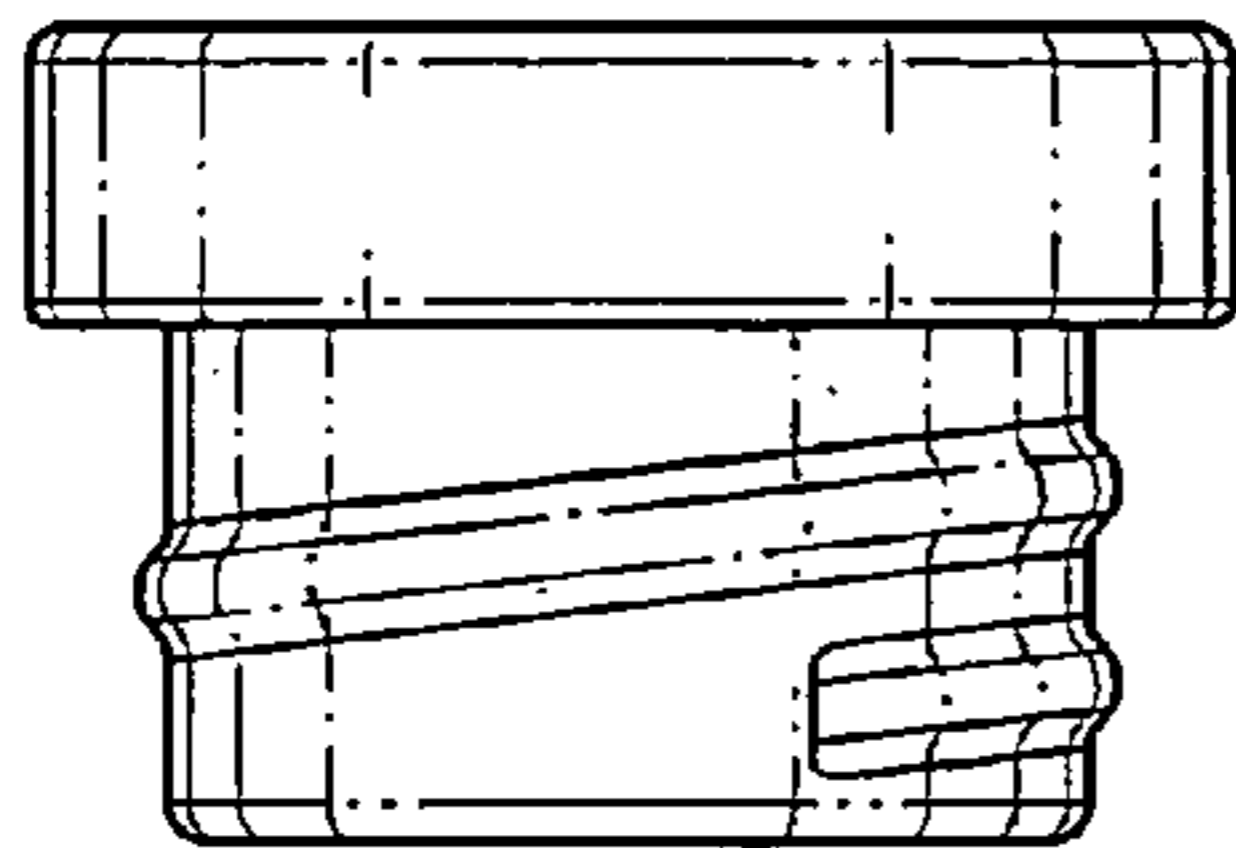
**FIG. 1**



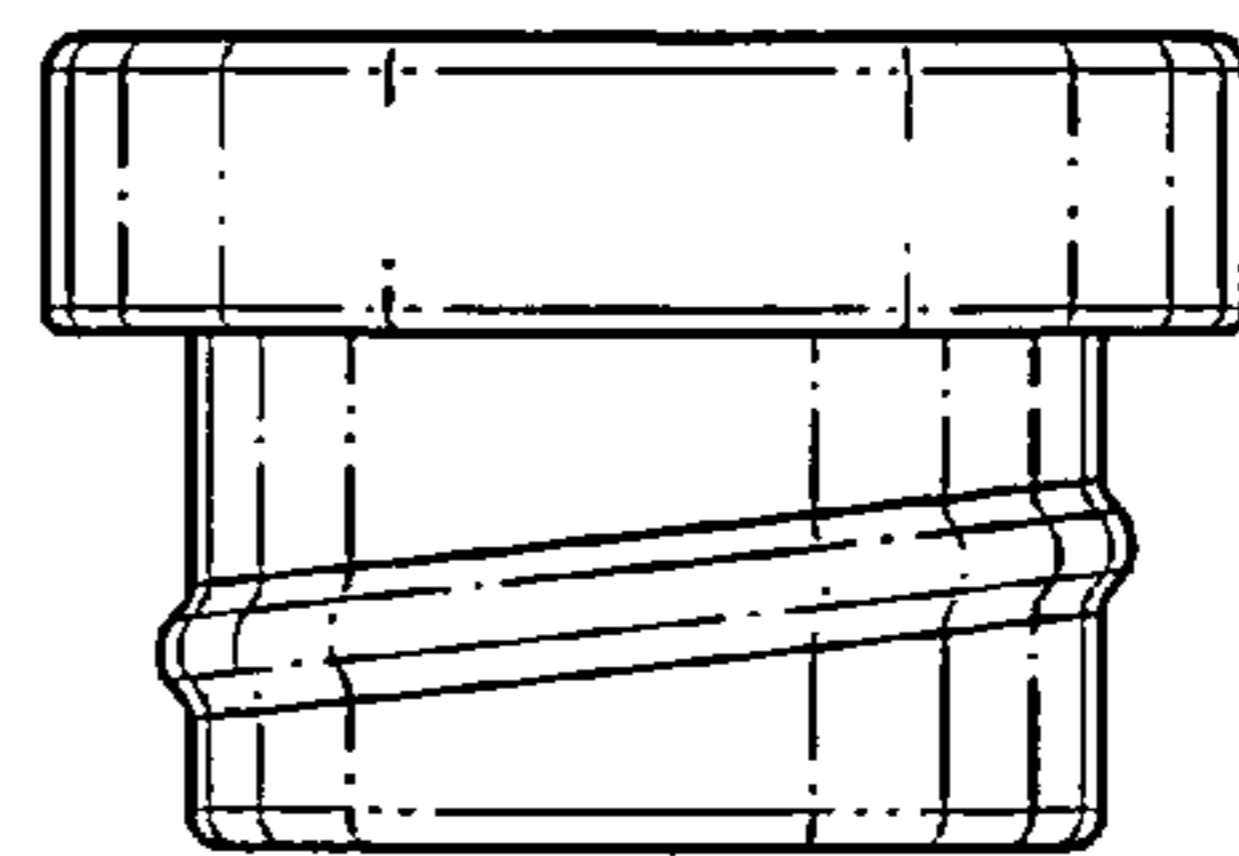
**FIG. 6**



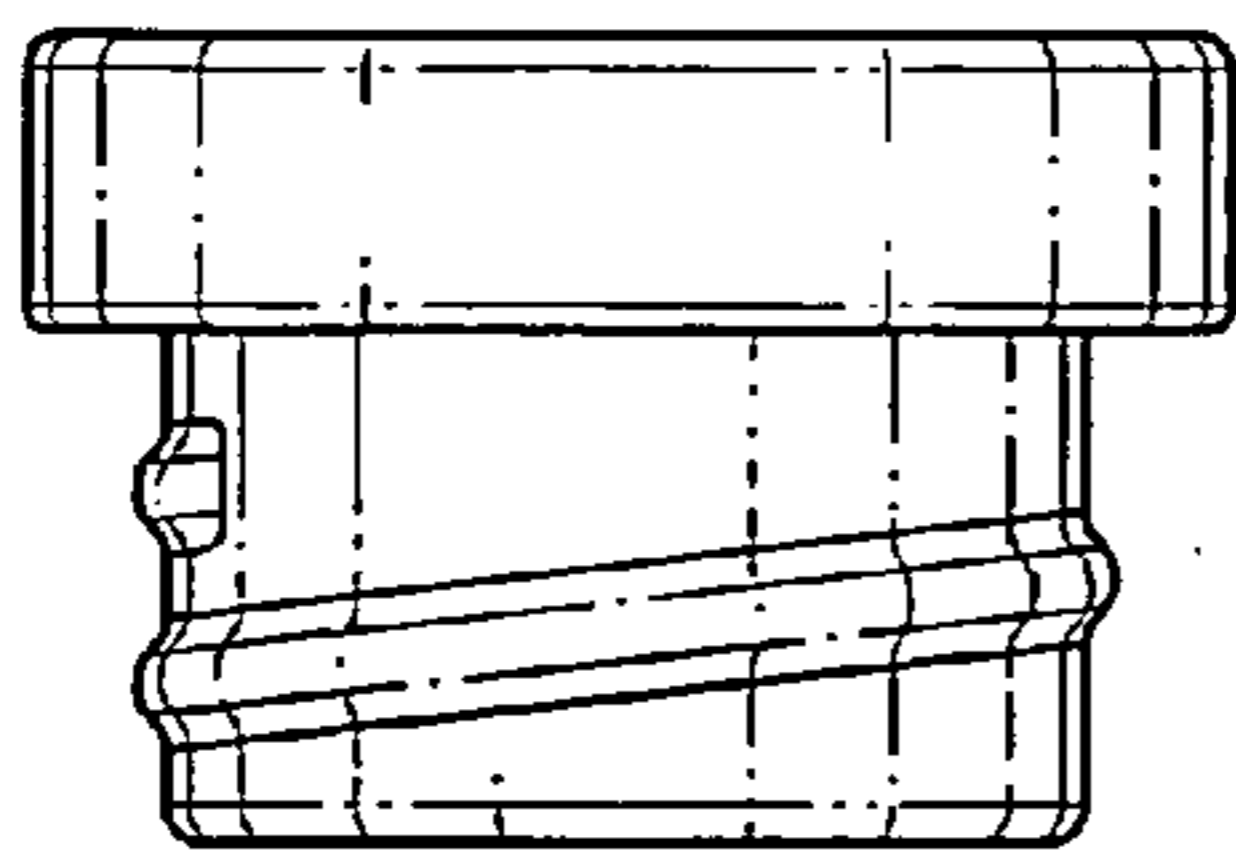
**FIG. 4**



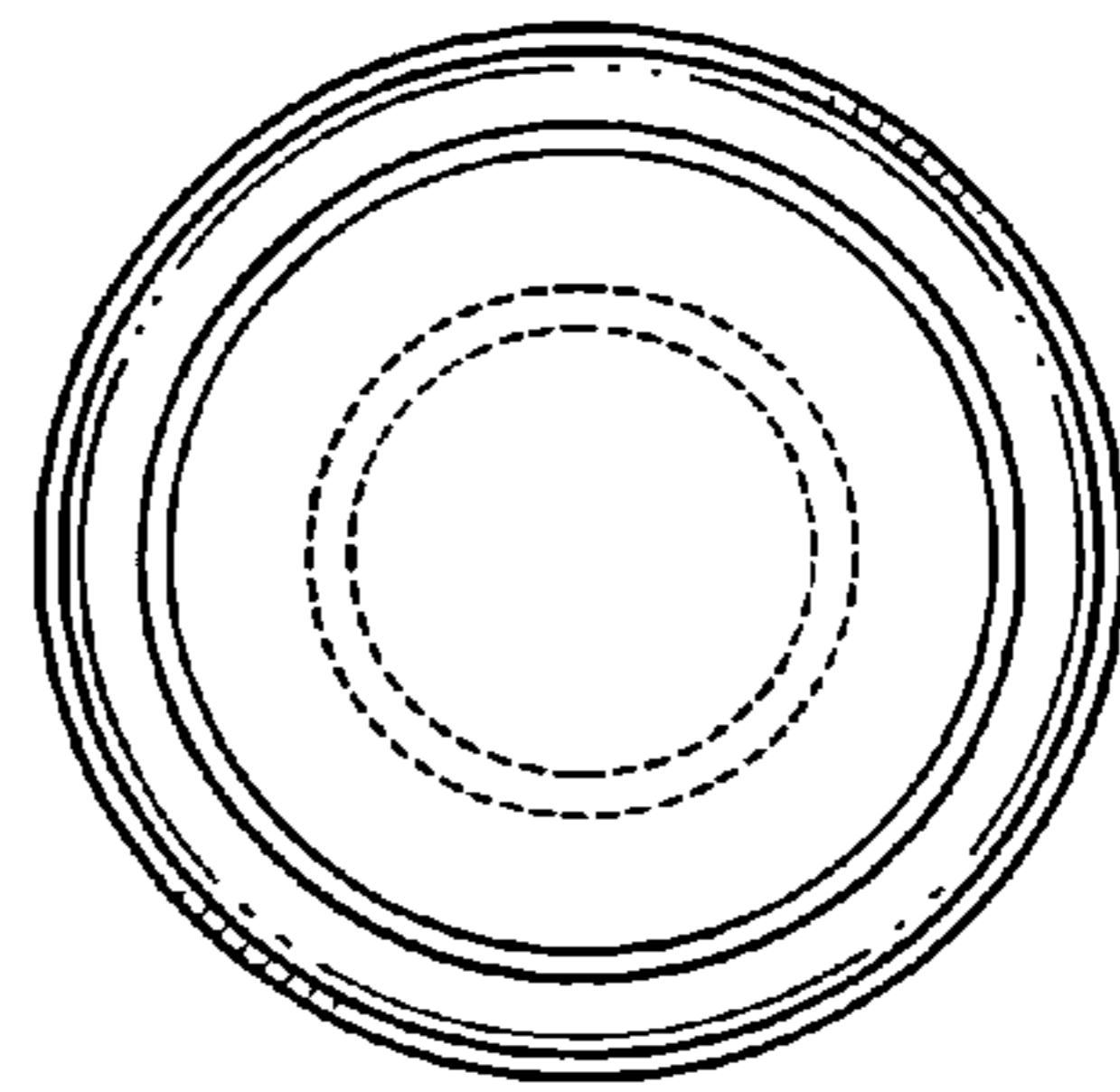
**FIG. 2**



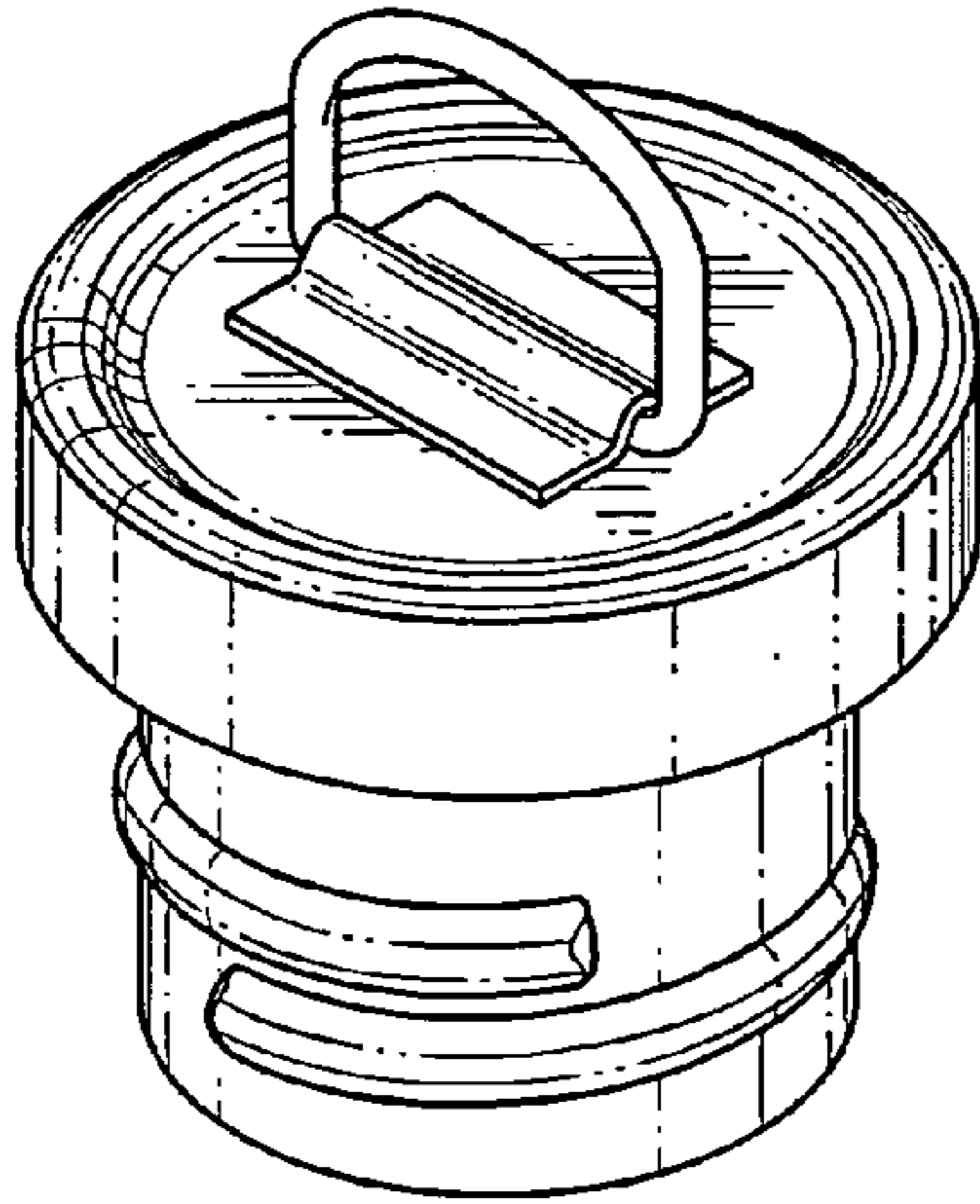
**FIG. 5**



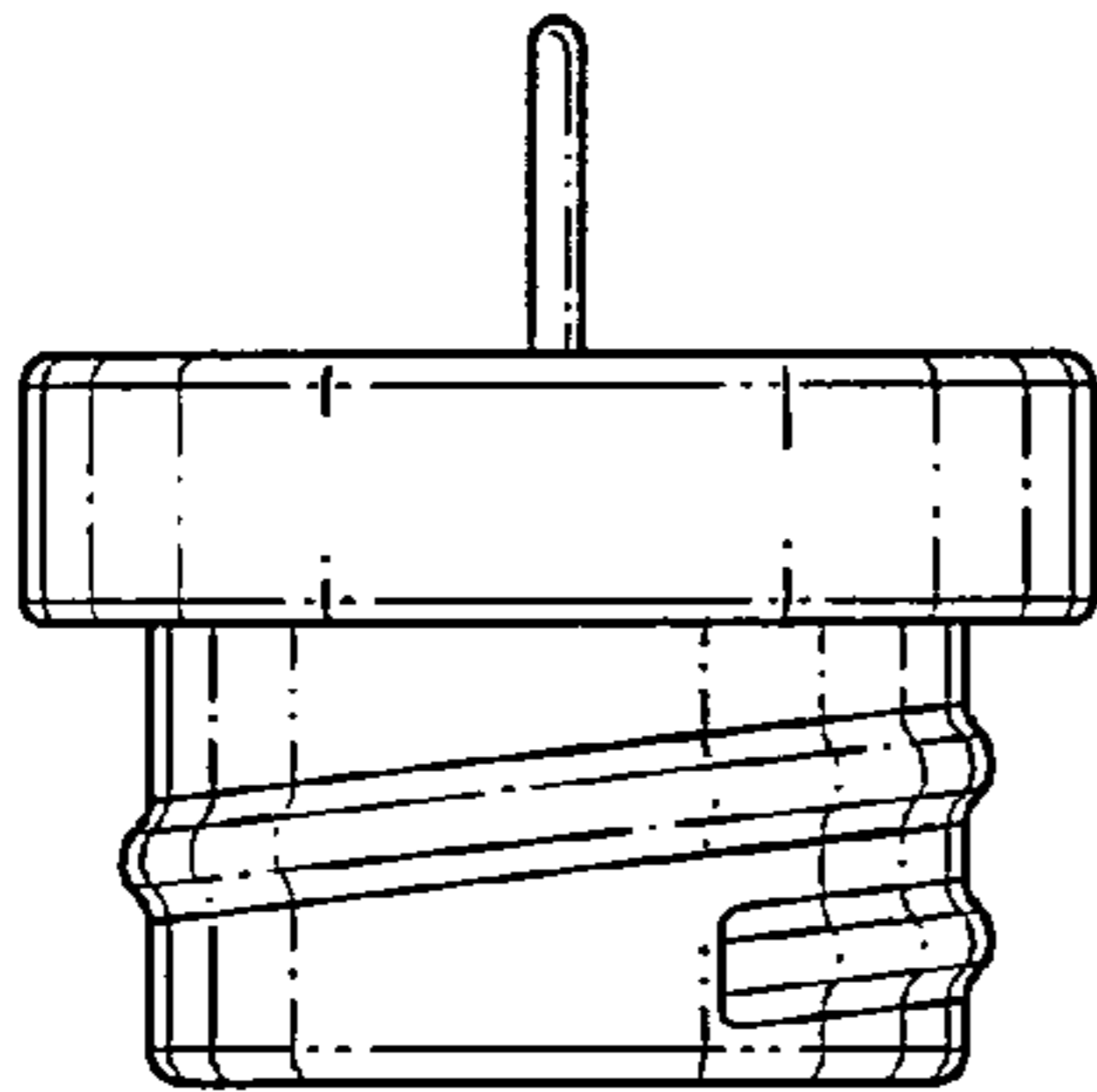
**FIG. 3**



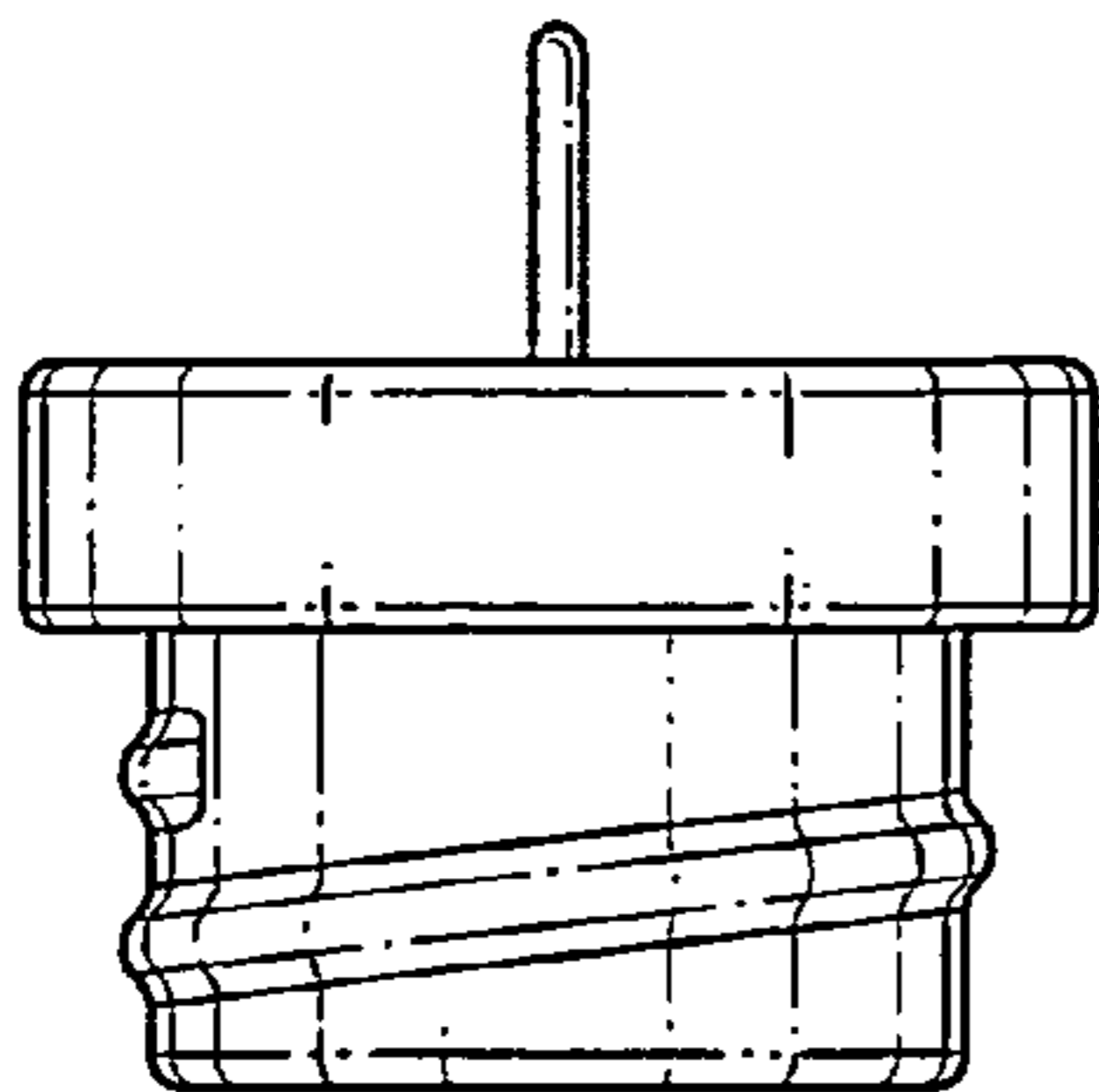
**FIG. 7**



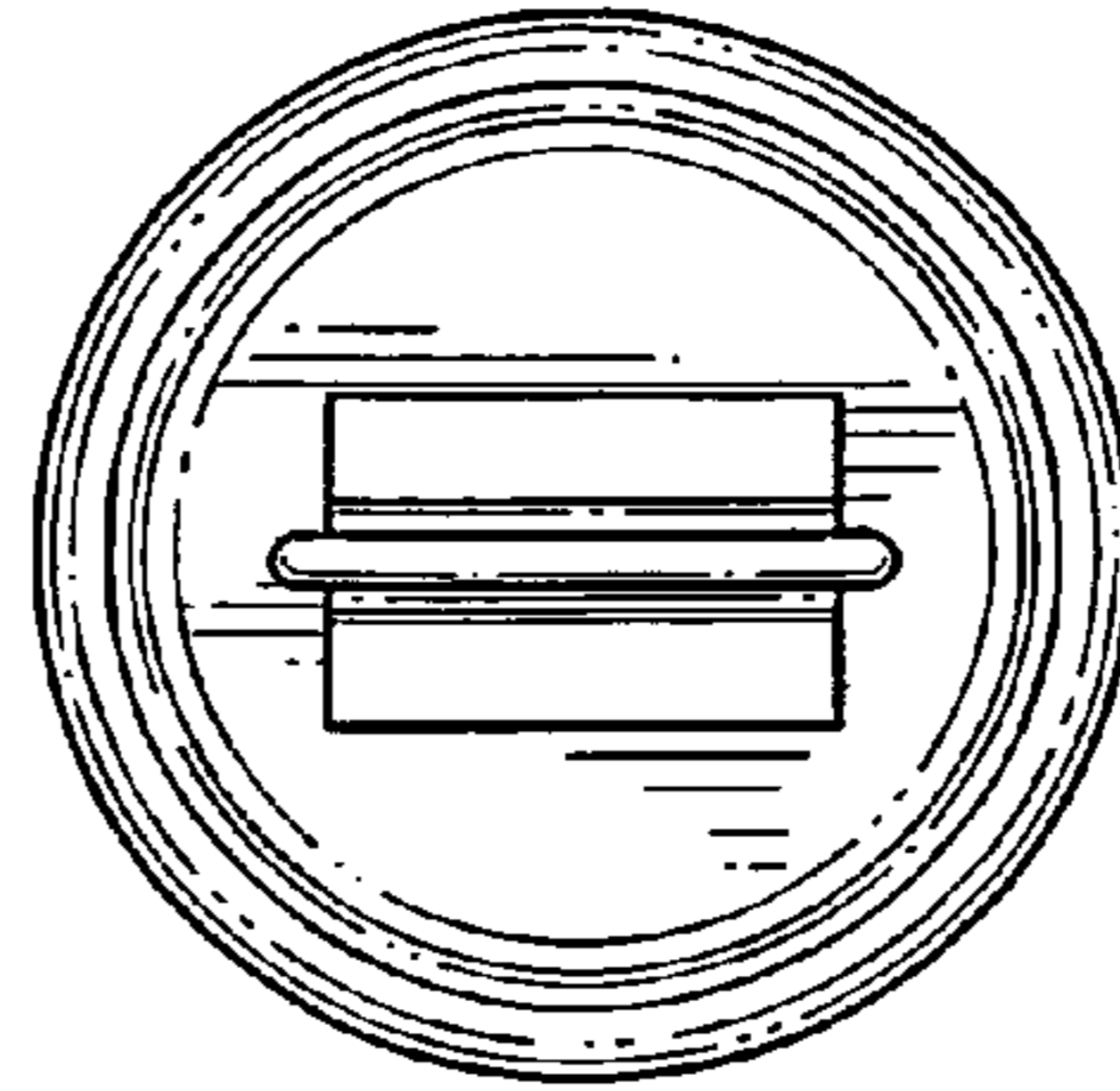
**FIG. 8**



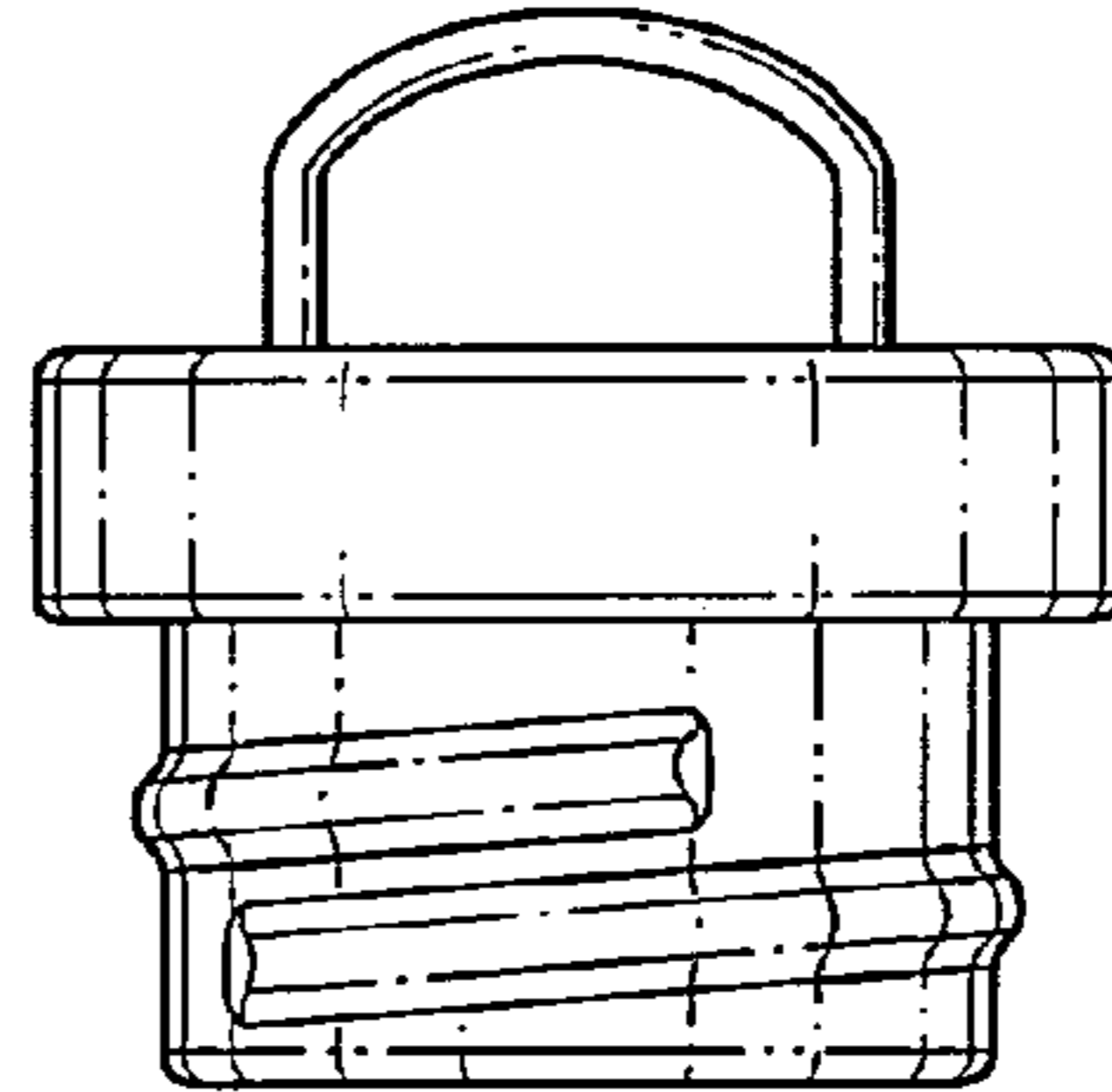
**FIG. 9**



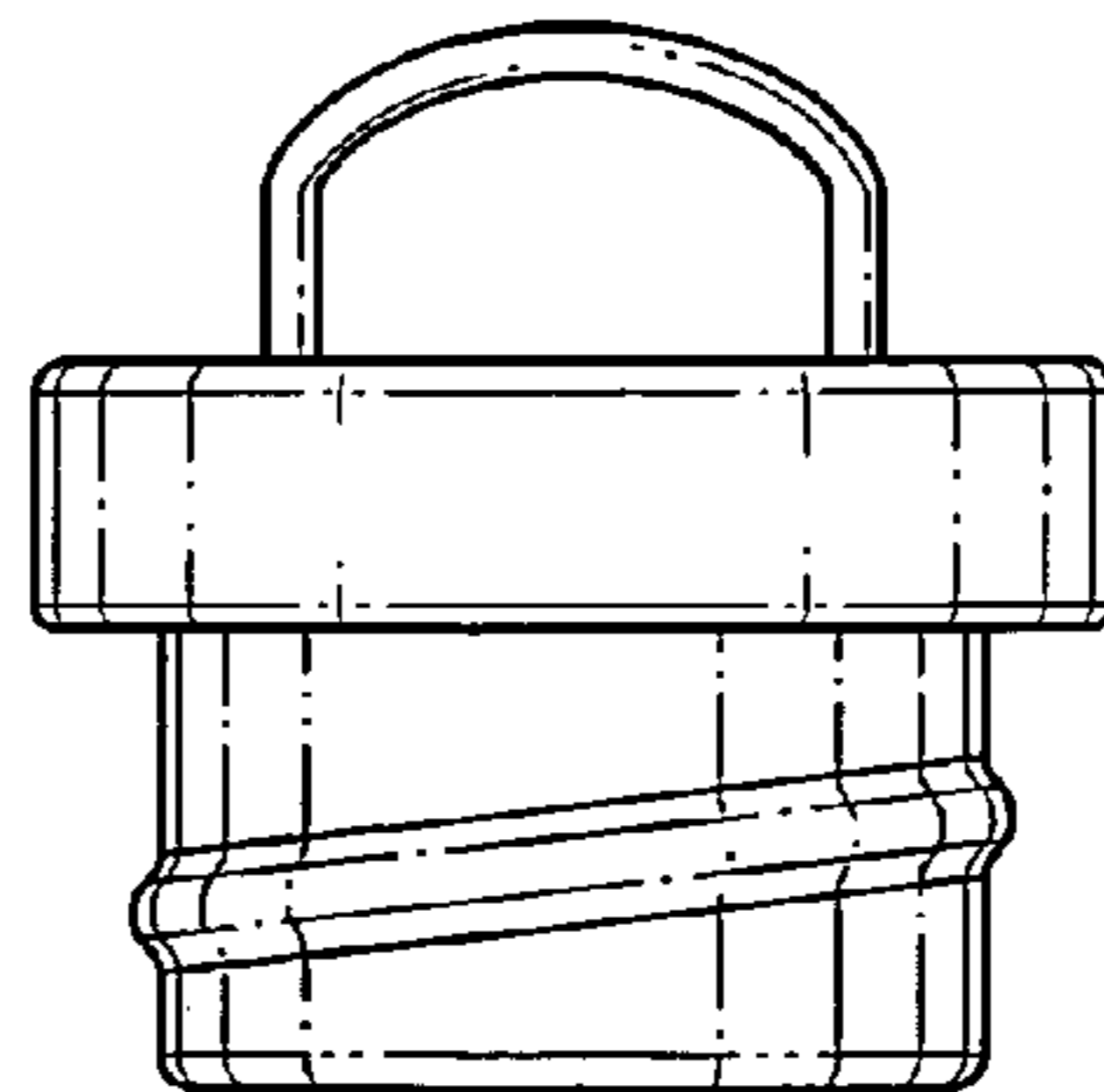
**FIG. 10**



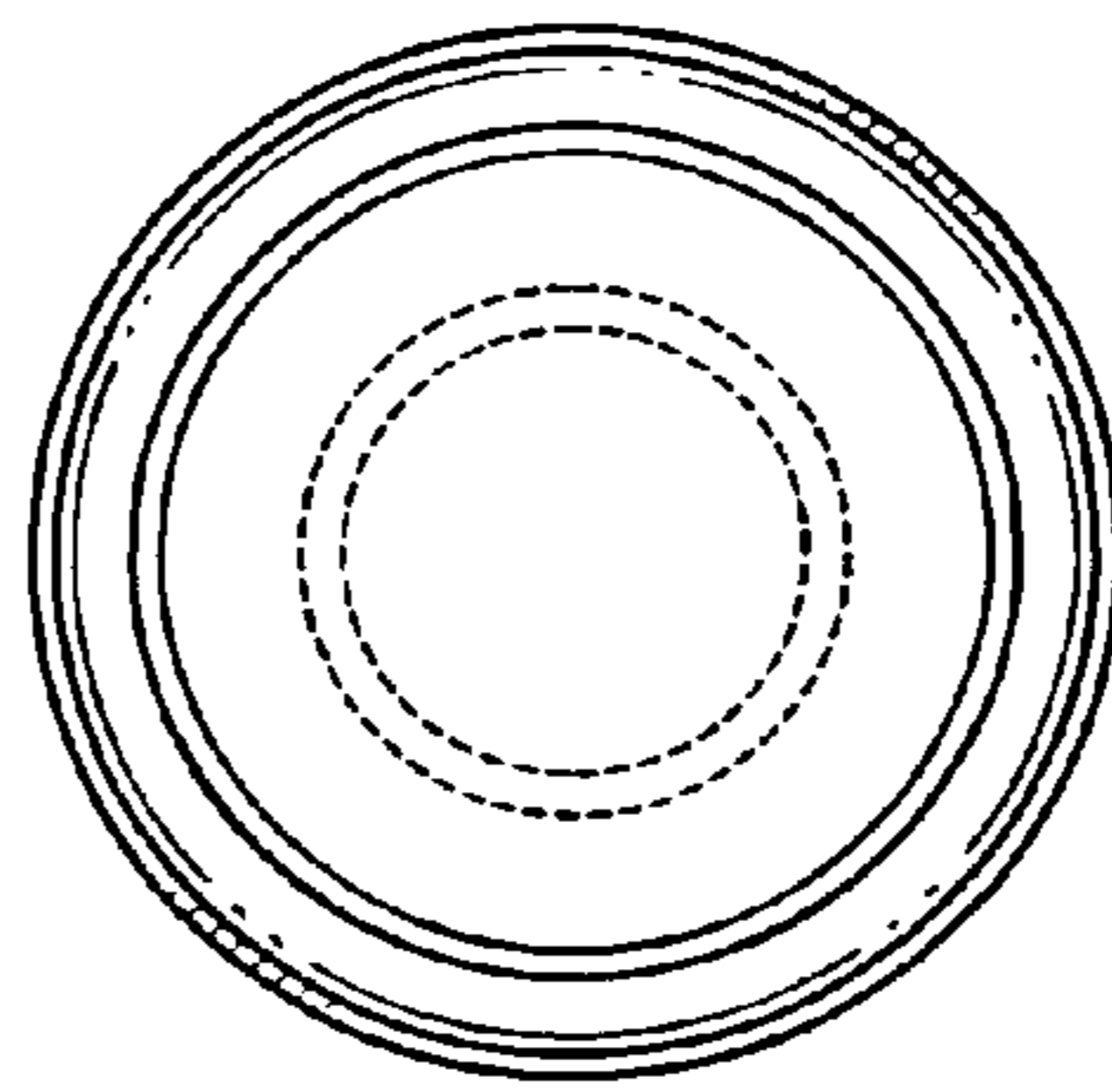
**FIG. 13**



**FIG. 11**



**FIG. 12**



**FIG. 14**