



US00D677118S

(12) **United States Design Patent**  
**Rosenfeld**

(10) **Patent No.:** **US D677,118 S**  
(45) **Date of Patent:** **\*\* Mar. 5, 2013**

(54) **CARAFE LID**  
(75) Inventor: **Abraham Rosenfeld**, Los Angeles, CA (US)  
(73) Assignee: **Vendetta Vending Solutions, LLC**, Los Angeles, CA (US)  
(\*\*) Term: **14 Years**  
(21) Appl. No.: **29/392,388**

6,484,895	B2 *	11/2002	Montgomery et al.	.....	215/237
D515,921	S *	2/2006	Marroncles	.....	D9/449
D545,619	S *	7/2007	Jalet	.....	D7/392
D565,947	S *	4/2008	Downey et al.	.....	D9/448
D579,772	S *	11/2008	Williams	.....	D9/446
D610,454	S *	2/2010	Lohrman et al.	.....	D9/449
D623,517	S *	9/2010	Pechinot	.....	D9/449
D625,605	S *	10/2010	Bardet	.....	D9/449
D630,093	S *	1/2011	Bardet	.....	D9/438
D657,618	S *	4/2012	Wahl	.....	D7/392.1
2003/0012256	A1	1/2003	Burkholder		
2008/0272085	A1 *	11/2008	Laporta	.....	215/296

\* cited by examiner

(22) Filed: **May 20, 2011**  
(51) **LOC (9) Cl.** ..... **07-01**  
(52) **U.S. Cl.** ..... **D7/392**  
(58) **Field of Classification Search** ..... D7/300,  
D7/387, 391, 392, 392.1, 393, 509, 510, 511,  
D7/538, 629, 900; D9/434, 435, 438, 439,  
D9/440, 443, 446, 447, 448, 449, 452, 453,  
D9/454; D24/199; 215/12.1, 216, 225, 230,  
215/233, 237, 238, 249, 251, 253, 254, 255,  
215/266, 318, 354, 364; 220/254.3, 254.5,  
220/254.9, 264, 266, 368, 521, 711, 714  
See application file for complete search history.

*Primary Examiner* — Susan E Krakower

(74) *Attorney, Agent, or Firm* — Davis Wright Tremaine LLP

(57) **CLAIM**

The ornamental design for a carafe lid, as shown and described.

**DESCRIPTION**

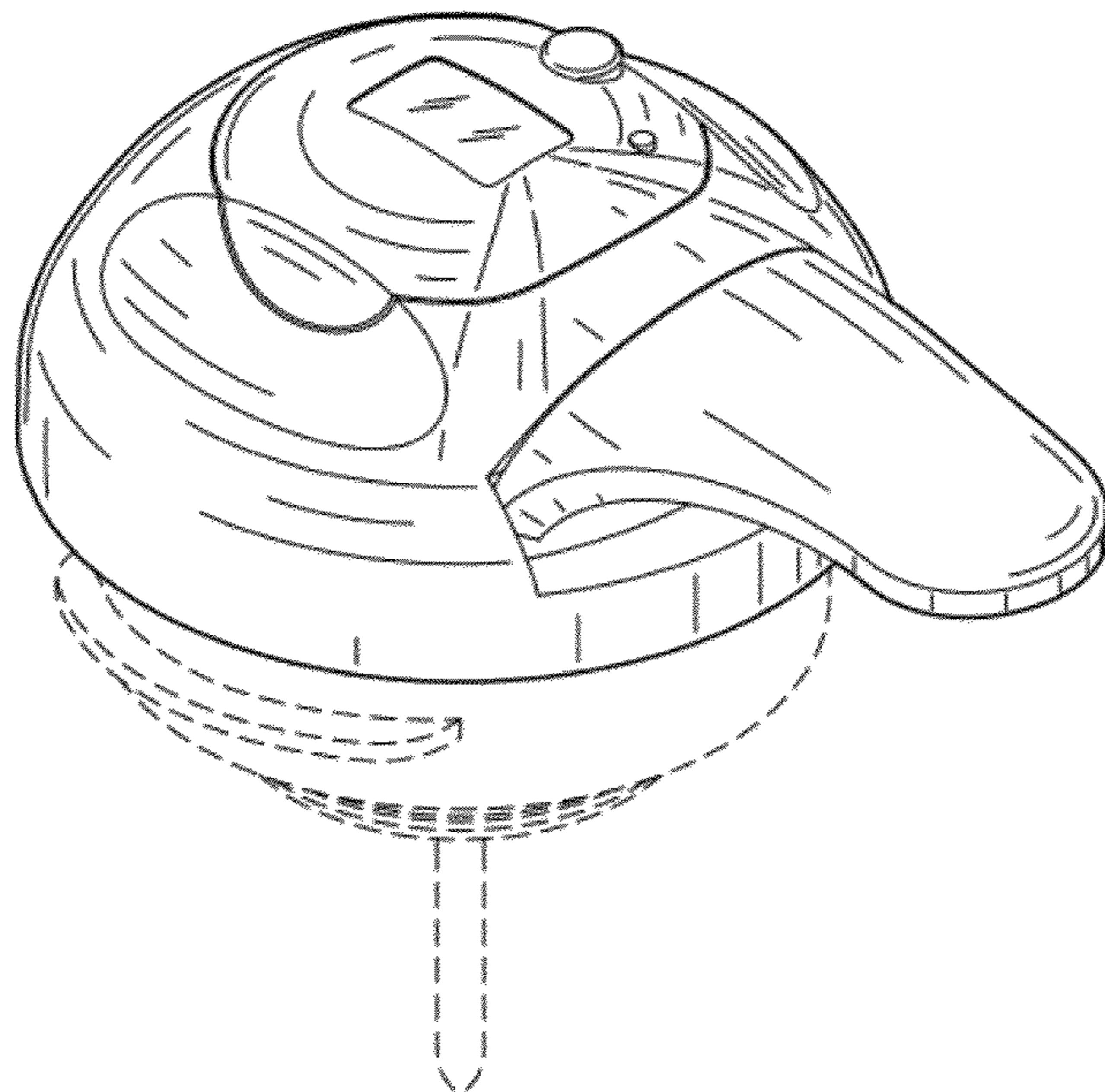
FIG. 1 is a perspective view of a carafe lid of the present invention;  
FIG. 2 is a first side view thereof;  
FIG. 3 is a top view thereof;  
FIG. 4 is a front view thereof;  
FIG. 5 is a rear view thereof;  
FIG. 6 is a second side view thereof; and,  
FIG. 7 is a bottom view thereof.  
The broken lines illustrate environmental structure and form no part of the claimed design.

(56) **References Cited**

U.S. PATENT DOCUMENTS

2,180,582	A *	11/1939	Crane	.....	222/482
D212,463	S *	10/1968	Vanderhyde	.....	D9/450
D397,613	S *	9/1998	Haley	.....	D9/448
D409,043	S *	5/1999	Lillelund et al.	.....	D7/392
D436,800	S *	1/2001	Nowak et al.	.....	D7/392.1
D436,862	S *	1/2001	Witt et al.	.....	D9/438

**1 Claim, 4 Drawing Sheets**



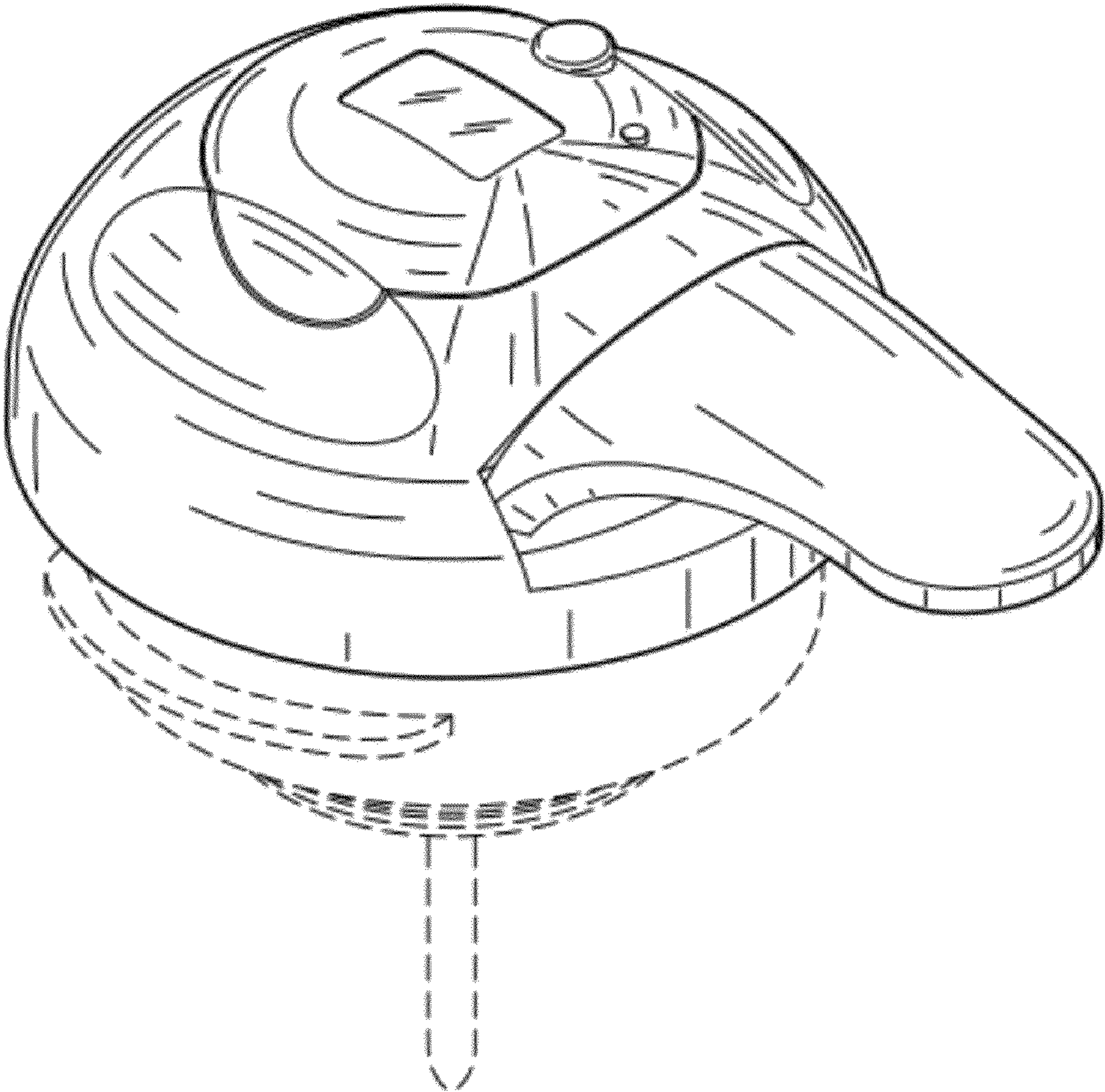


FIG.1

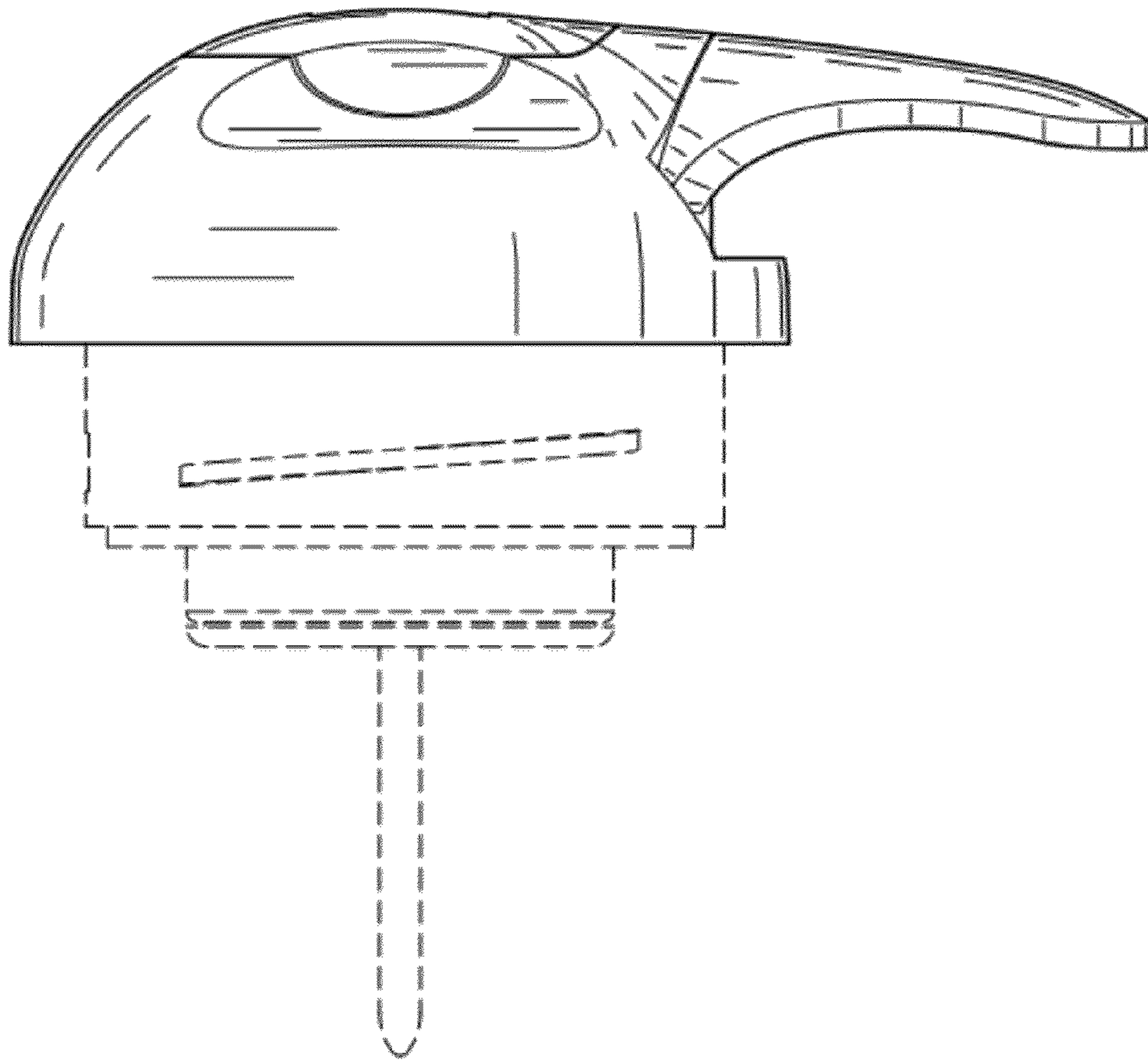


FIG. 2

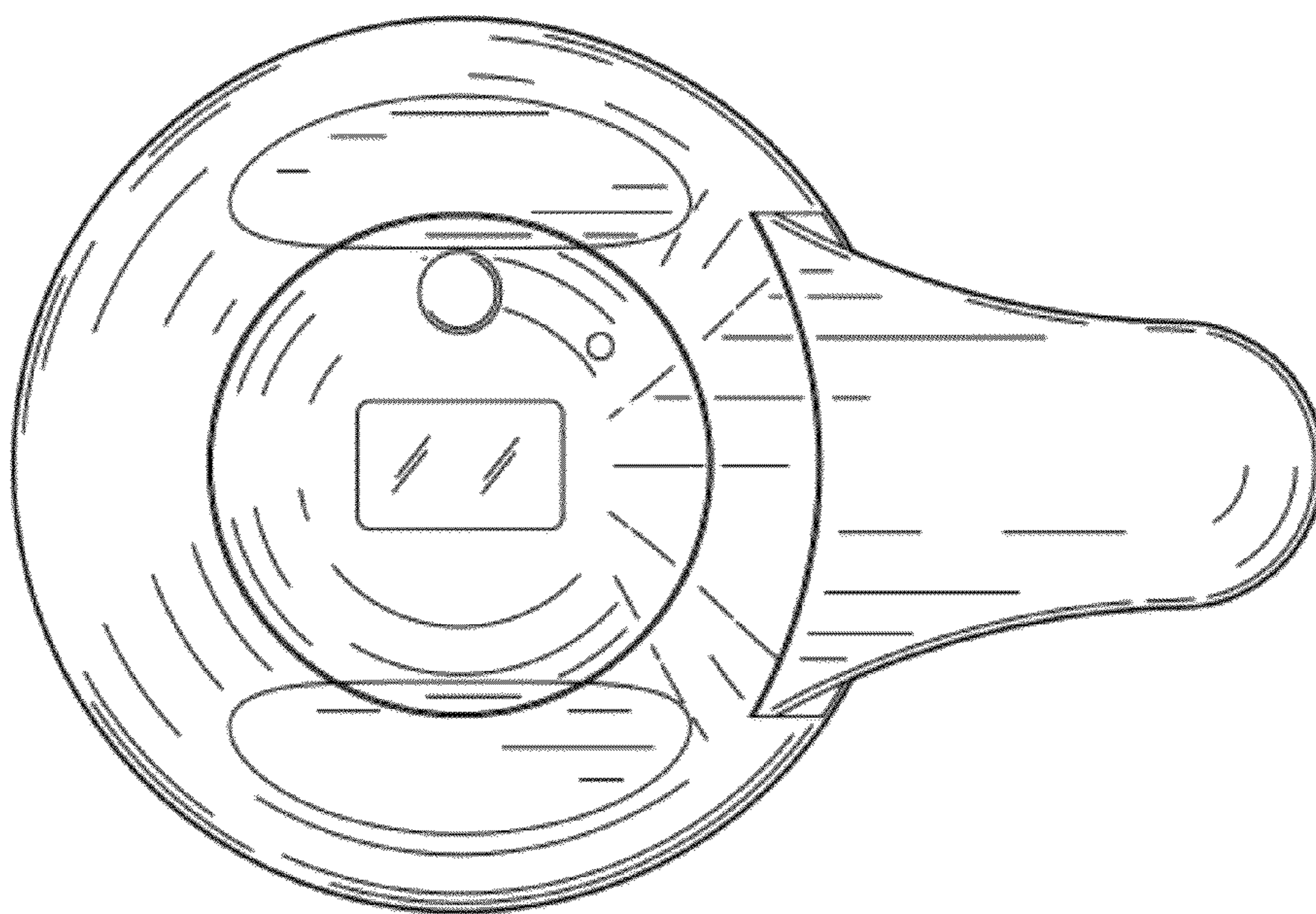


FIG. 3

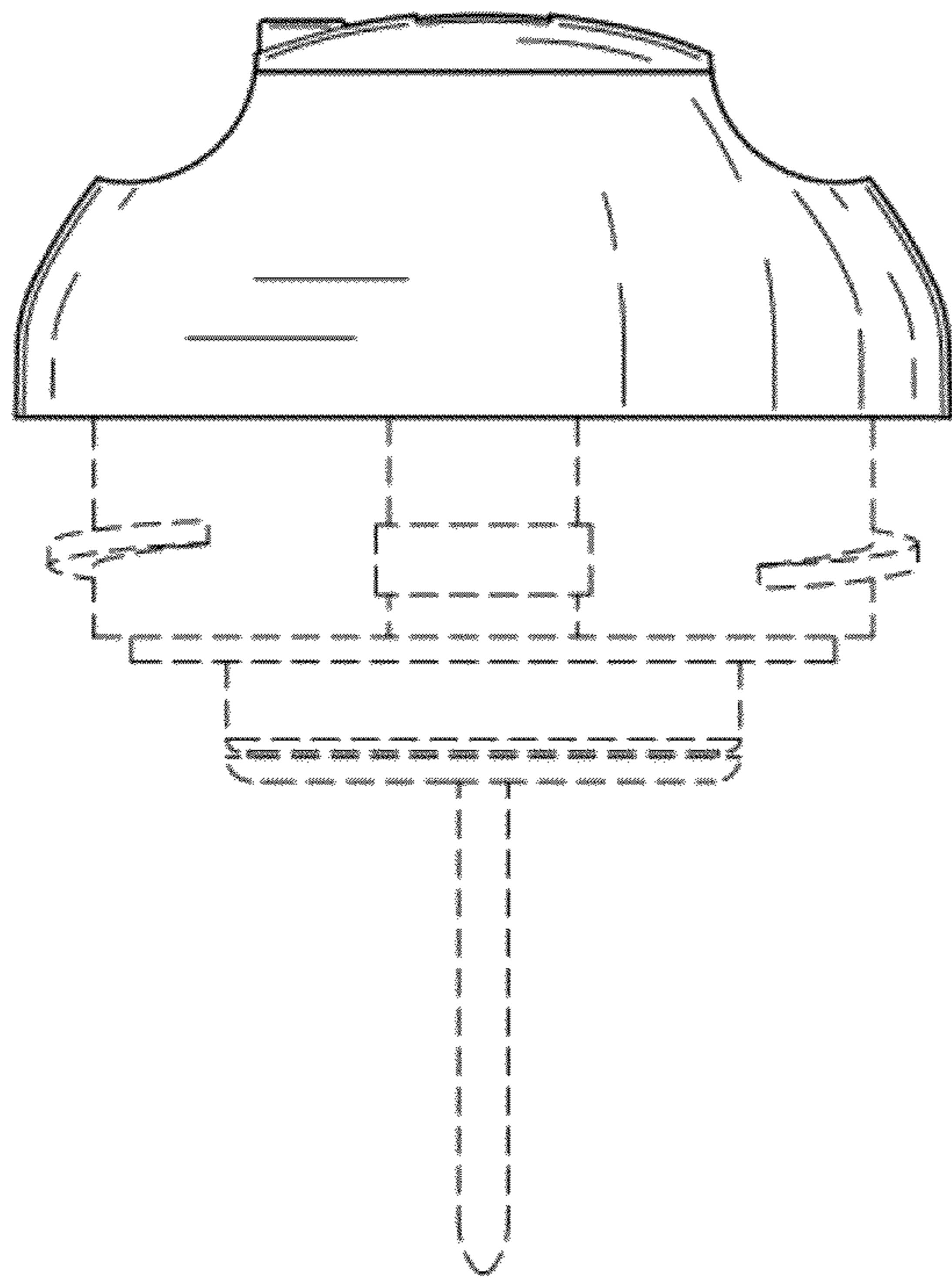


FIG. 4

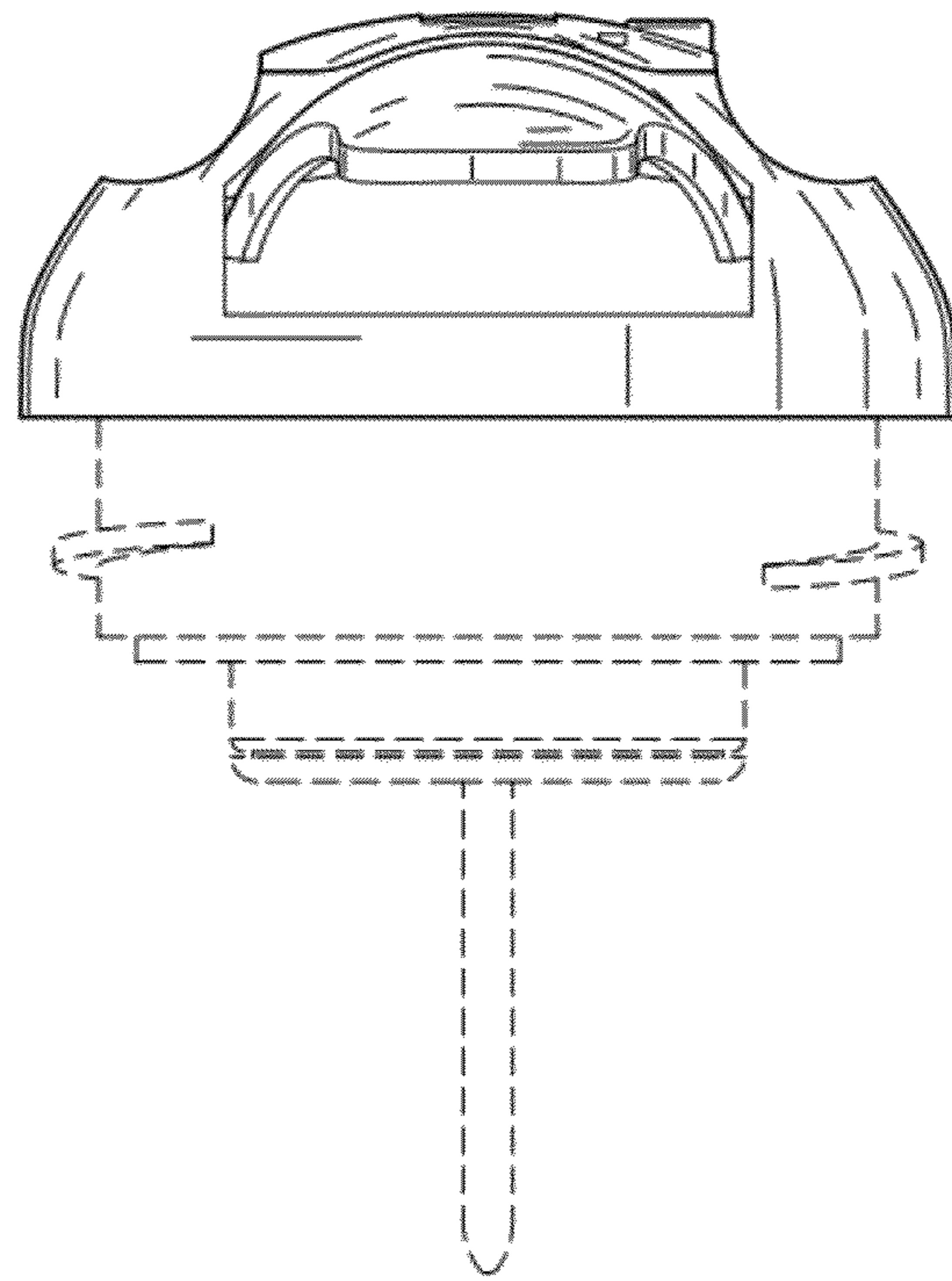


FIG. 5

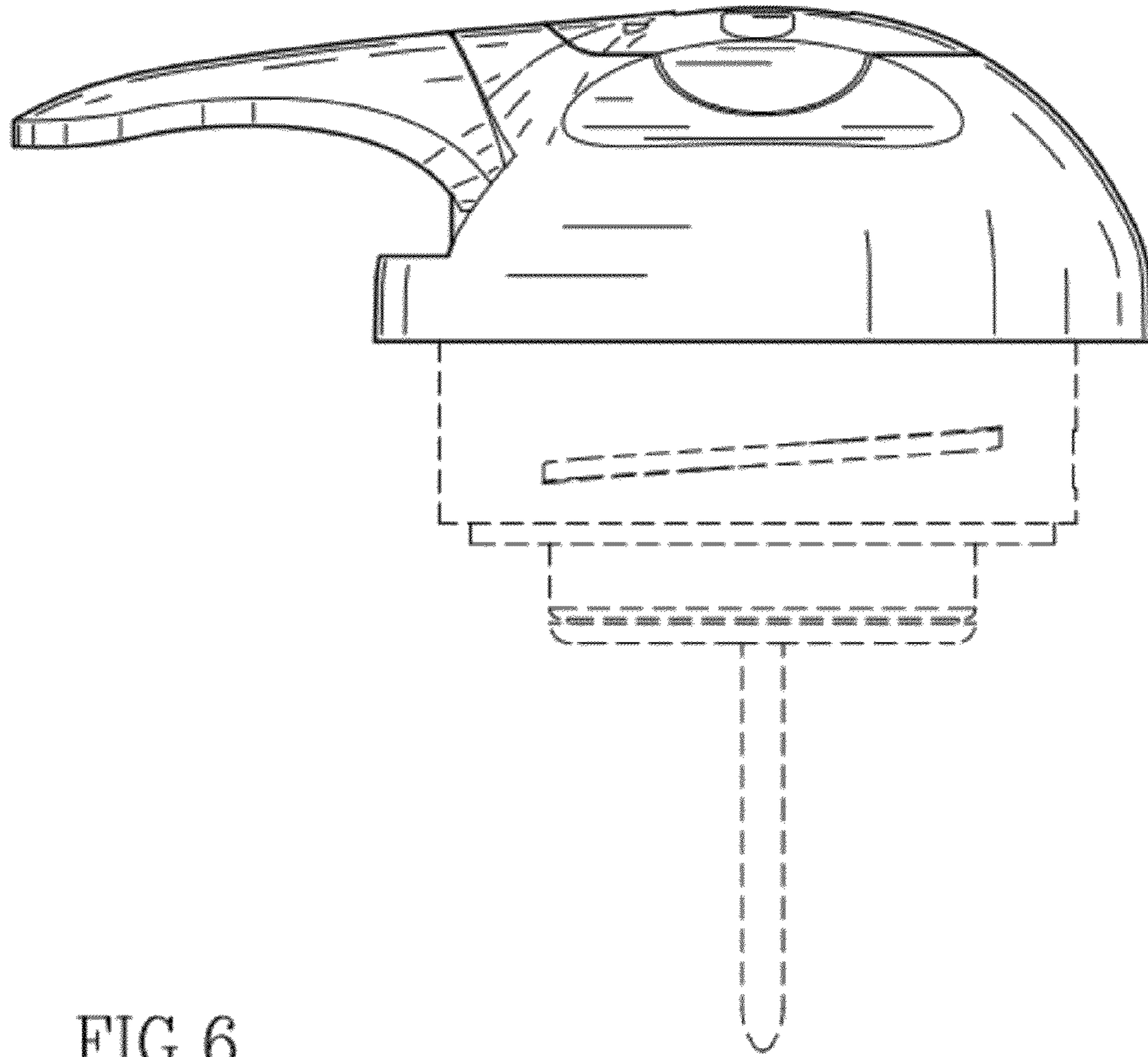


FIG. 6

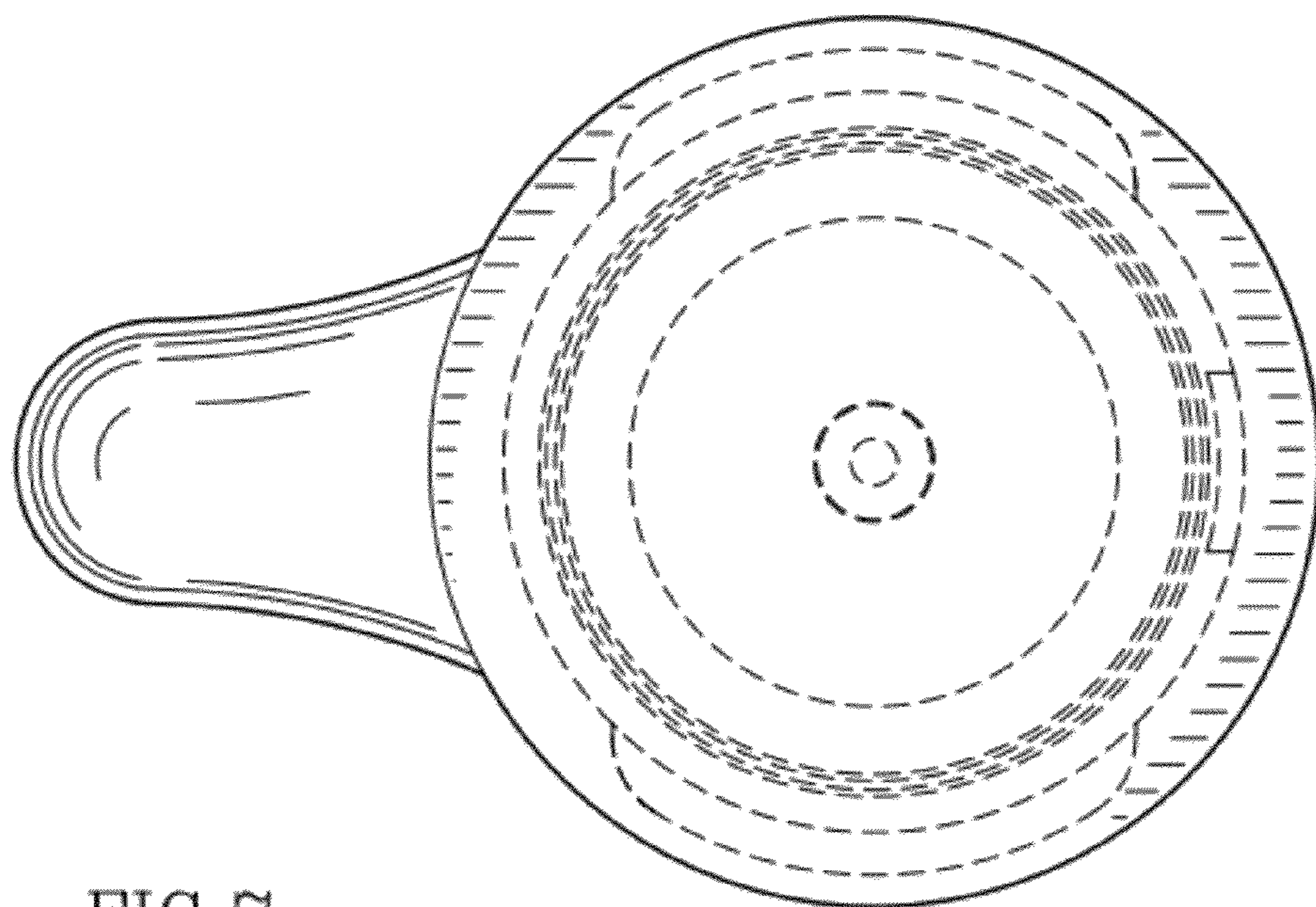


FIG. 7