



US00D677117S

(12) **United States Design Patent**
Smyers et al.

(10) **Patent No.:** **US D677,117 S**
(45) **Date of Patent:** **** Mar. 5, 2013**

- (54) **LIDS FOR CONTAINERS HAVING CIRCULAR CONFIGURATIONS**
- (75) Inventors: **Justin Smyers**, Newport Beach, CA (US); **Nicolsson Fernandes**, Ontario, CA (US); **Karl Ludeman**, Chicago, IL (US)
- (73) Assignee: **Snapware Corporation**, Mira Loma, CA (US)
- (**) Term: **14 Years**
- (21) Appl. No.: **29/415,361**
- (22) Filed: **Mar. 9, 2012**
- (51) **LOC (9) Cl.** **07-02**
- (52) **U.S. Cl.** **D7/391**
- (58) **Field of Classification Search** D3/218, D3/282, 302, 323; D7/318, 323, 354-363, D7/391-396, 392.1, 402, 538, 541-543, 601-602, D7/610, 629; D9/434-435, 443, 629, 757; 16/110.1, 407, 430-431, 441, 443; 219/620-622, 219/725, 729-730, 734; 220/212, 326, 365-367.1, 220/573.1-573.5, 752-758, 767-771, 784-788, 220/832, 912
See application file for complete search history.

(56) **References Cited**

U.S. PATENT DOCUMENTS

- D488,031 S * 4/2004 Kim D7/629
- D499,931 S * 12/2004 Kim D7/392.1
- D523,296 S * 6/2006 Kim D7/629
- D575,115 S * 8/2008 Zimmerman D7/629

- D606,813 S * 12/2009 Kim D7/629
- D631,708 S * 2/2011 Smyers D7/629
- D633,757 S * 3/2011 Smyers D7/629
- D636,641 S * 4/2011 Smyers D7/629
- D647,358 S * 10/2011 Smyers D7/391
- D647,360 S * 10/2011 Smyers D7/391
- D651,478 S * 1/2012 Nie D7/629
- D660,093 S * 5/2012 Kyung D7/629
- D660,658 S * 5/2012 Kyung D7/629

* cited by examiner

Primary Examiner — Ricky Pham

(74) *Attorney, Agent, or Firm* — Larry K. Roberts

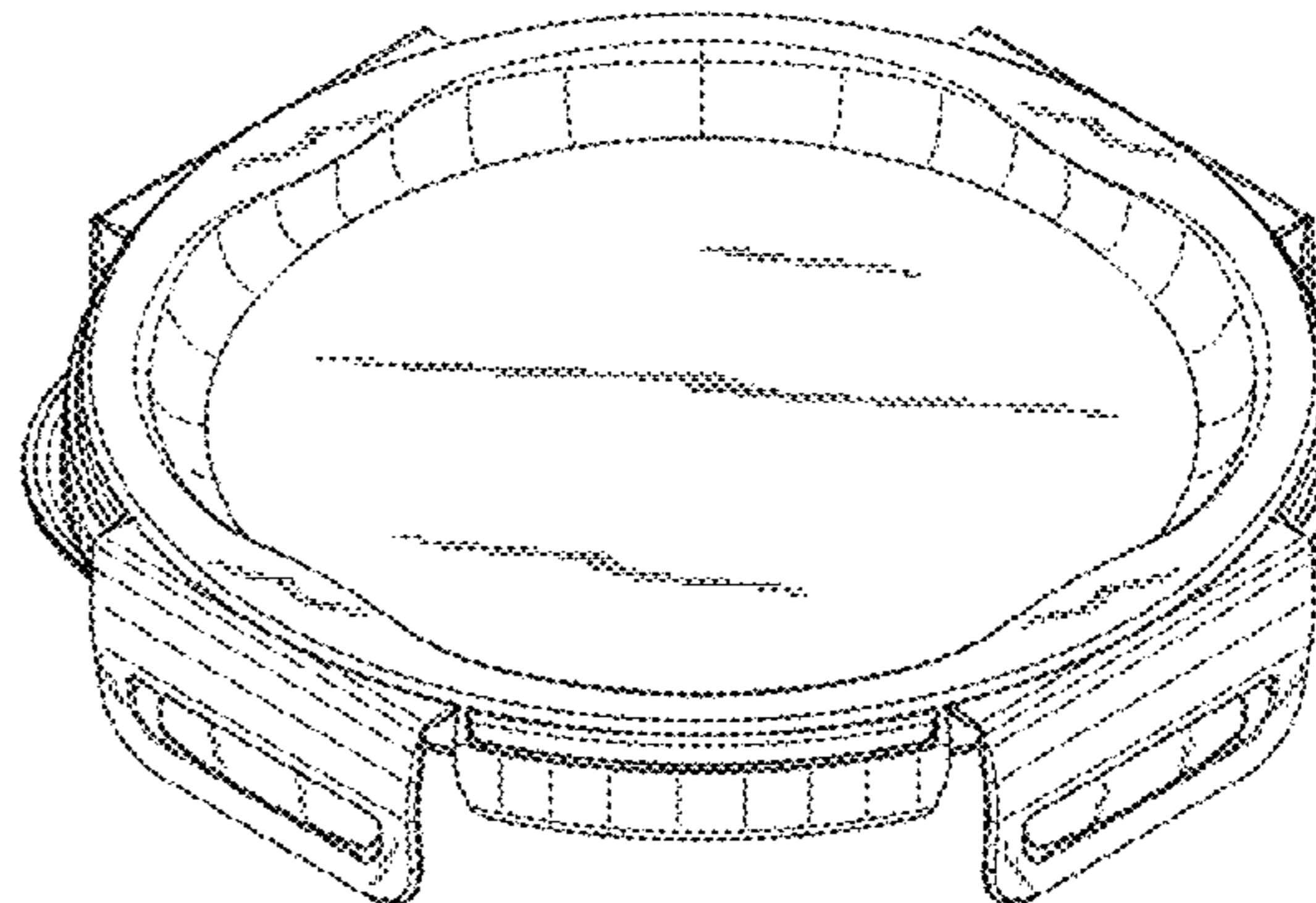
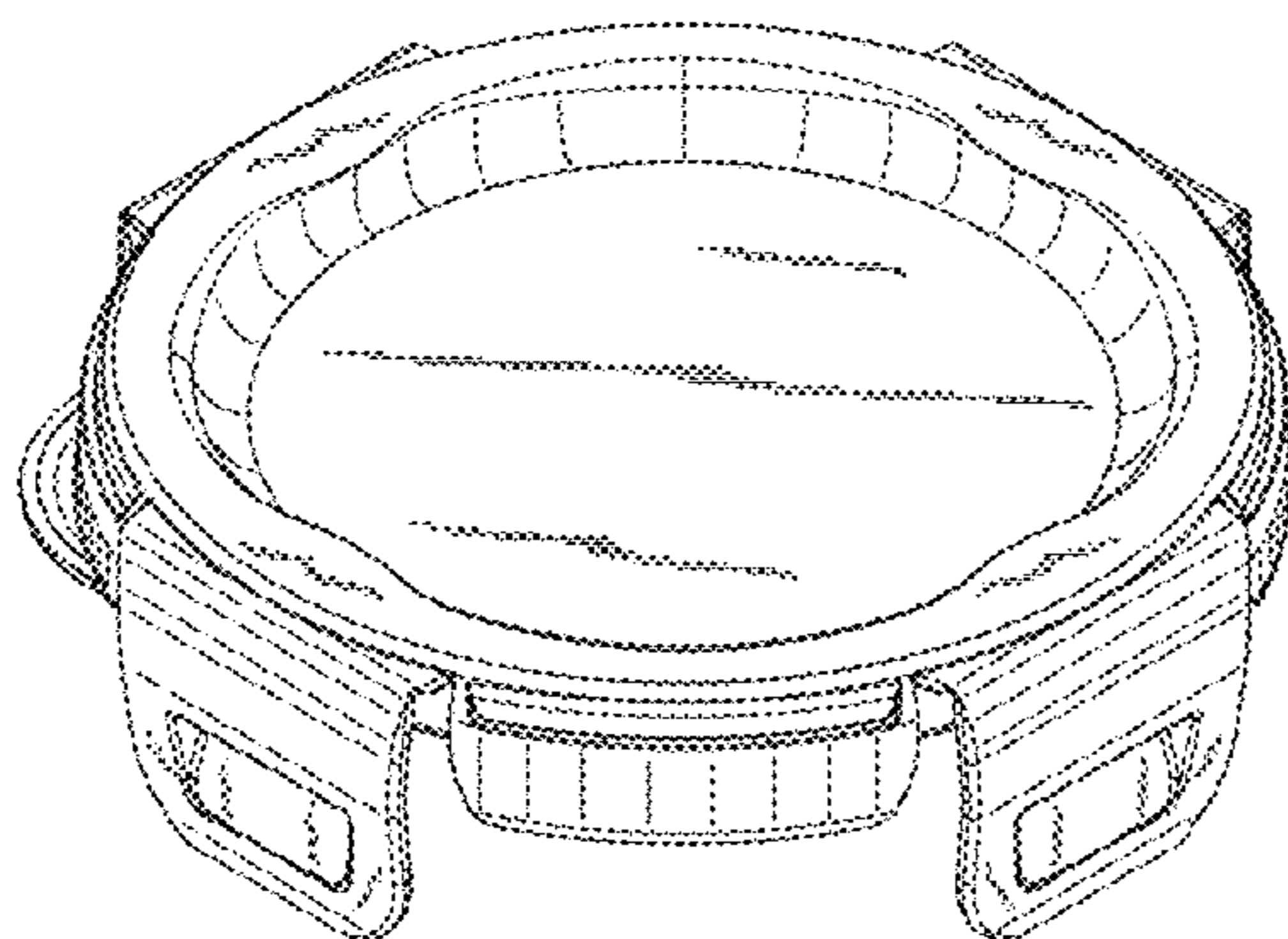
(57) **CLAIM**

The ornamental design for lids for containers having circular configurations, as shown and described.

DESCRIPTION

FIG. 1 is an isometric view of an embodiment of the design; FIG. 2 is a front elevation view of the embodiment of FIG. 1; FIG. 3 is a rear elevation view of the embodiment of FIG. 1; FIG. 4 is a right elevation view of the embodiment of FIG. 1; FIG. 5 is a left elevation view of the embodiment of FIG. 1; FIG. 6 is a top view of the embodiment of FIG. 1; FIG. 7 is a bottom view of the embodiment of FIG. 1; FIG. 8 is an isometric view of another embodiment of the design; FIG. 9 is a front elevation view of the embodiment of FIG. 8; FIG. 10 is a rear elevation view of the embodiment of FIG. 8; FIG. 11 is a right elevation view of the embodiment of FIG. 8; FIG. 12 is a left elevation view of the embodiment of FIG. 8; FIG. 13 is a top view of the embodiment of FIG. 8; and, FIG. 14 is a bottom view of the embodiment of FIG. 8.

1 Claim, 8 Drawing Sheets



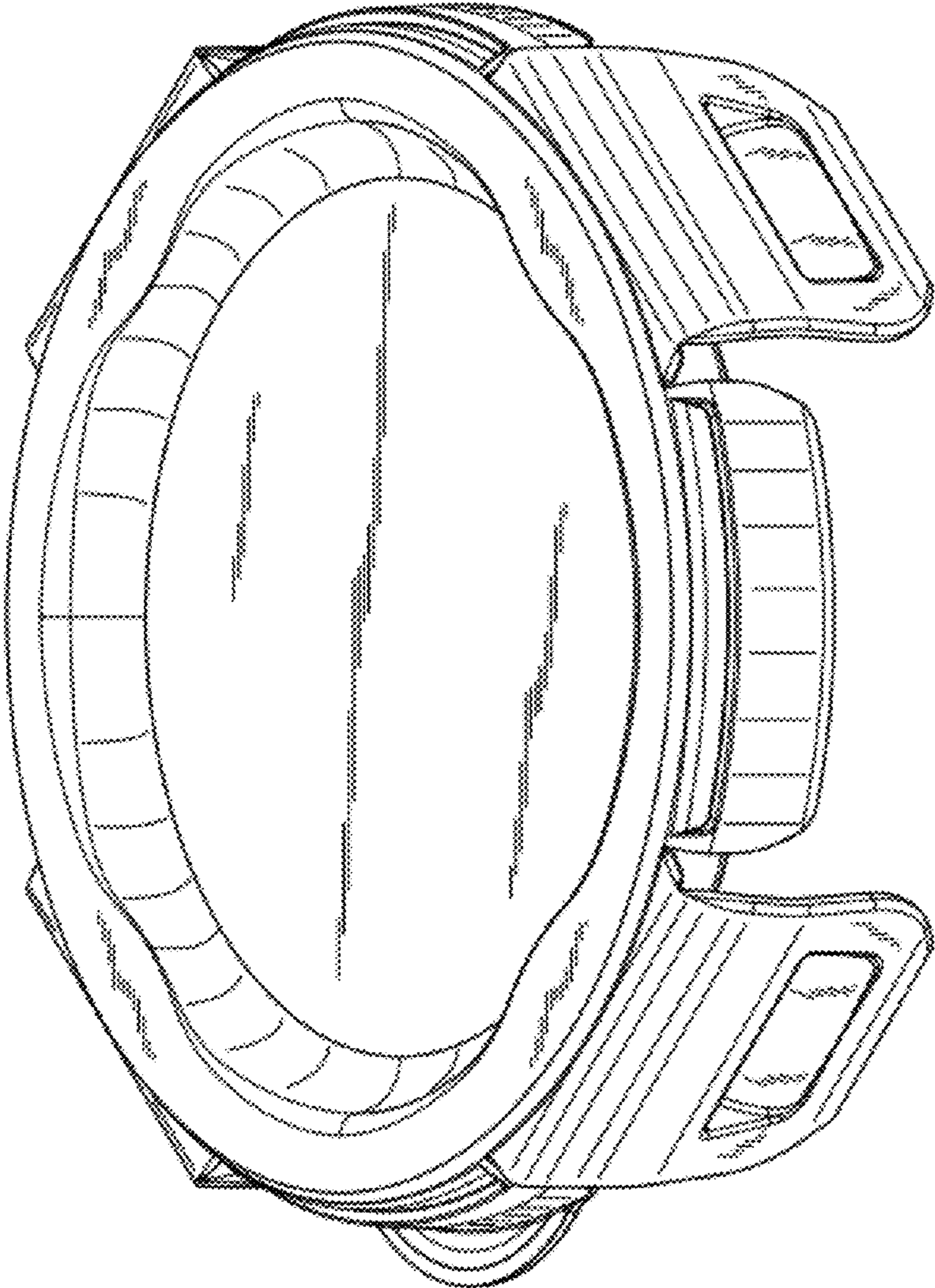


FIG. 1

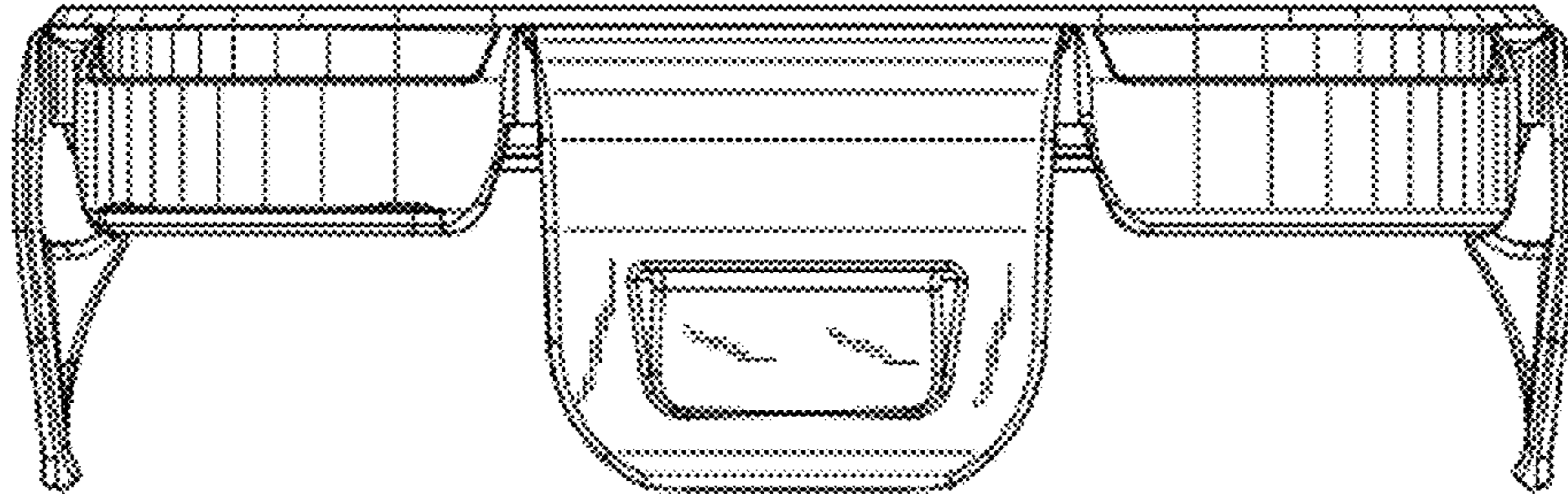


FIG. 2

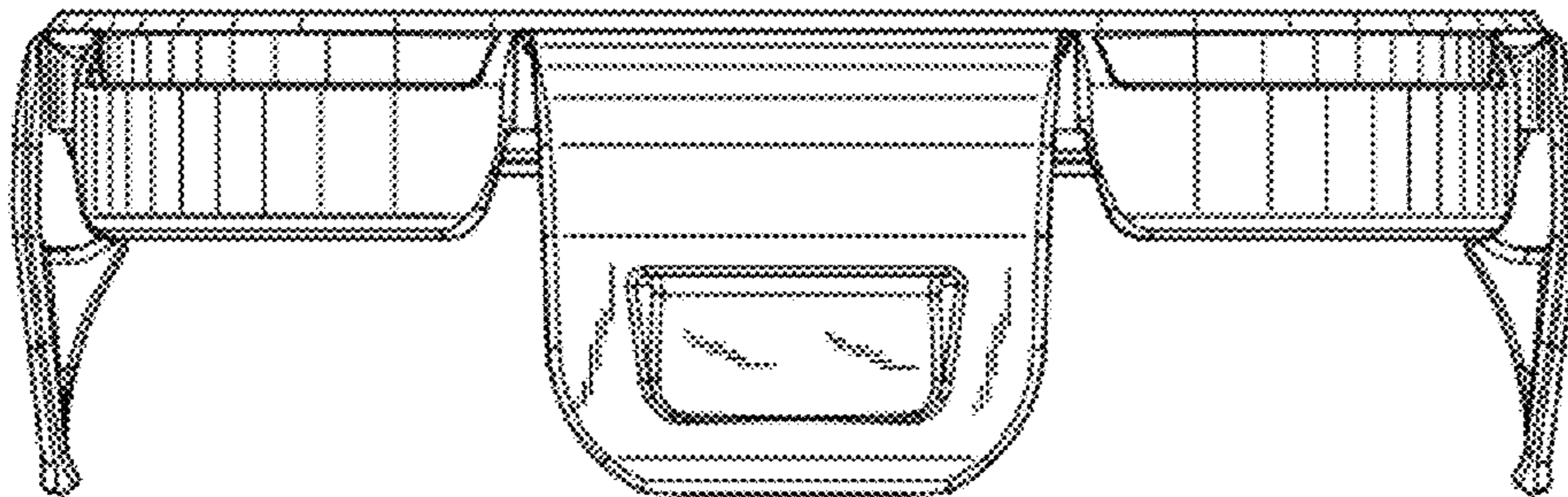


FIG. 3

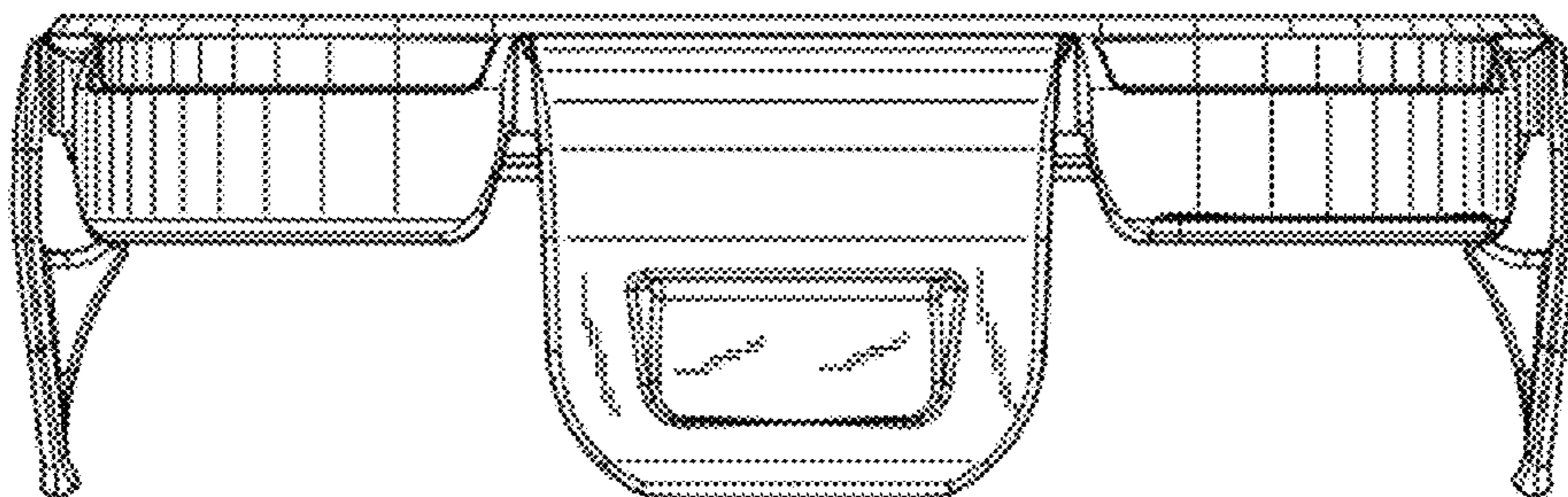


FIG. 4

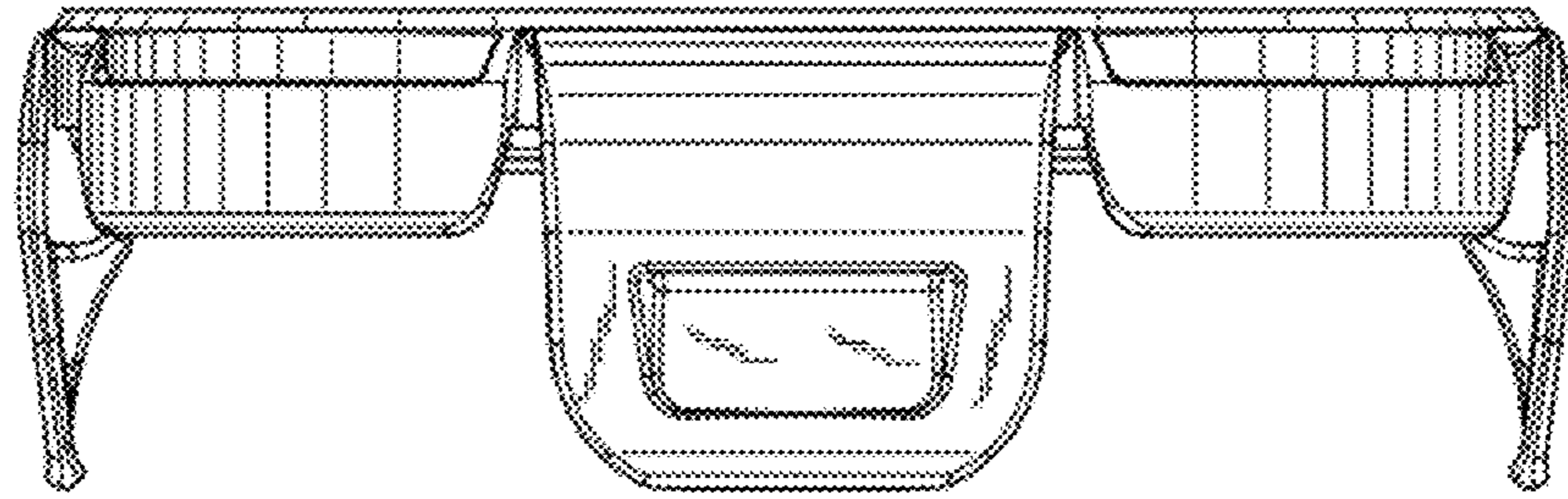


FIG. 5

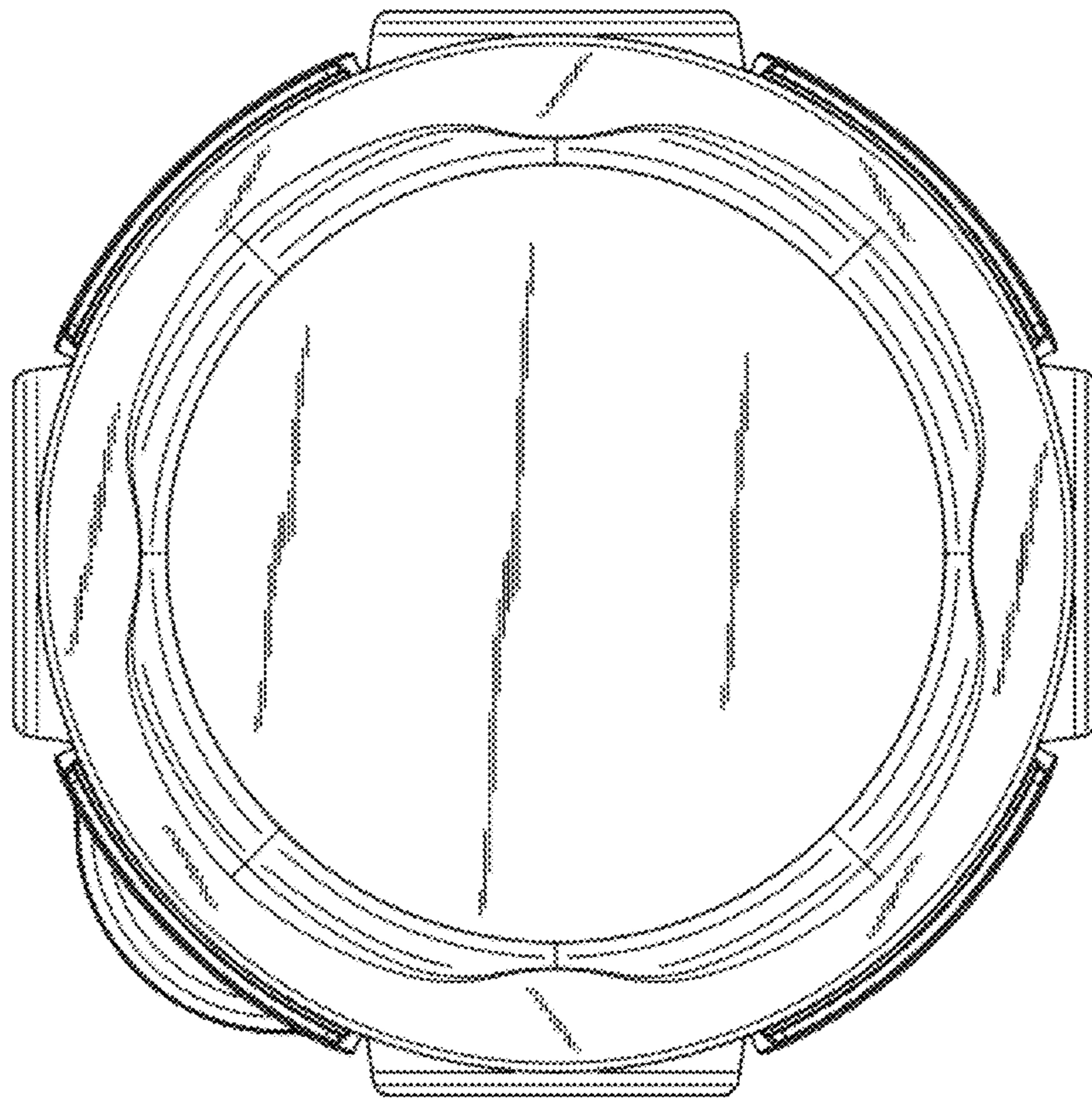


FIG. 6

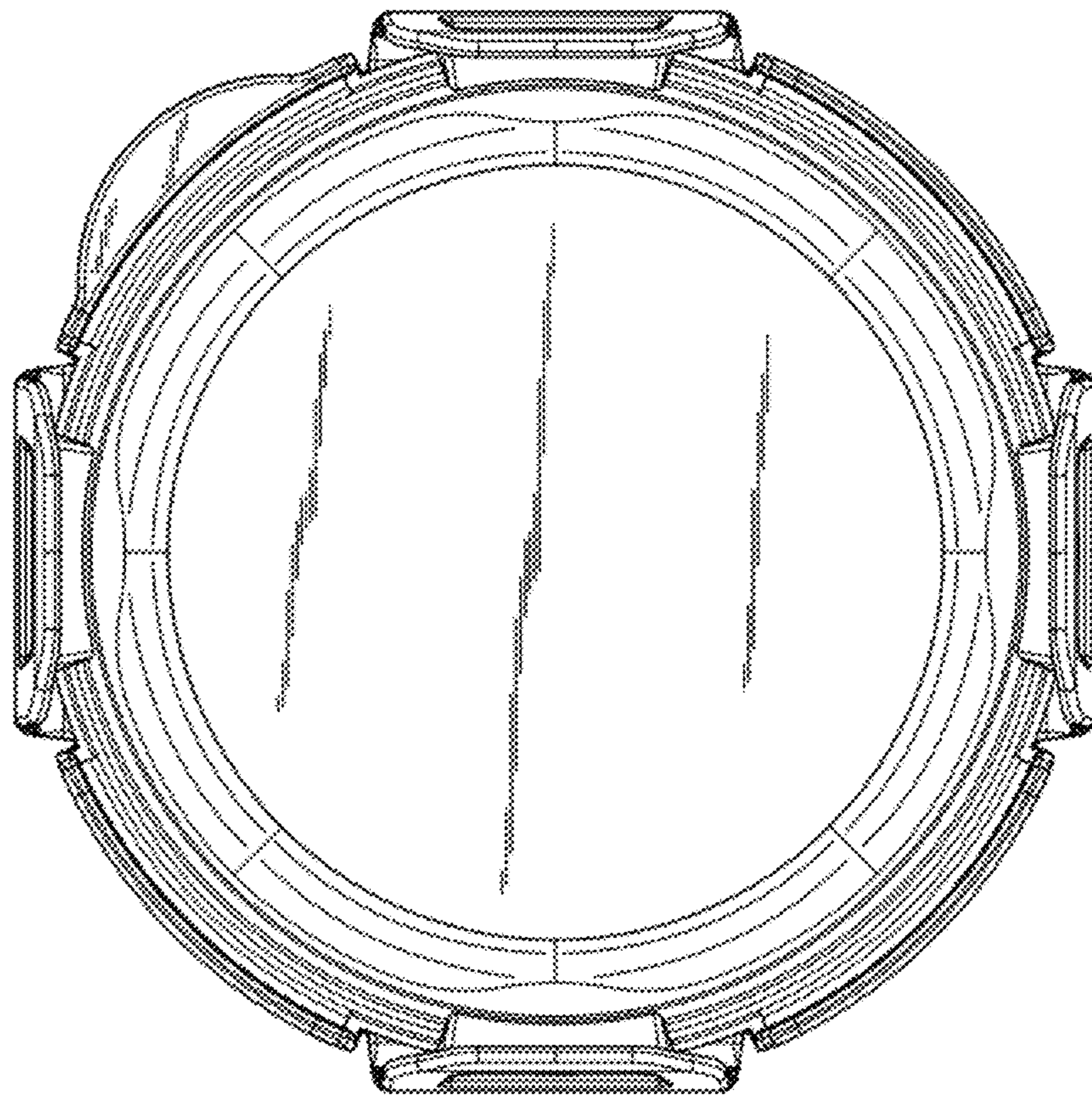


FIG. 7

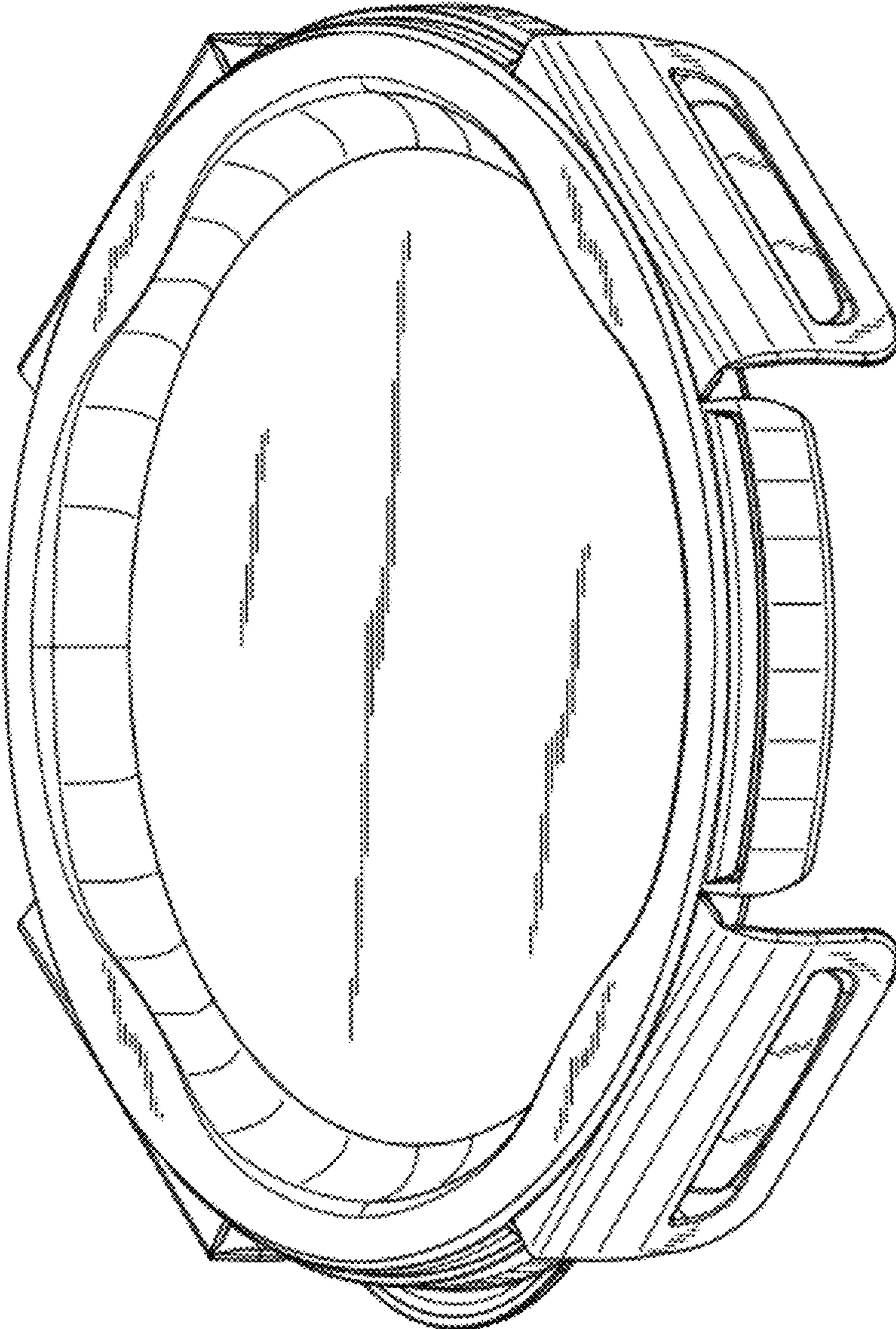


FIG. 8



FIG. 9

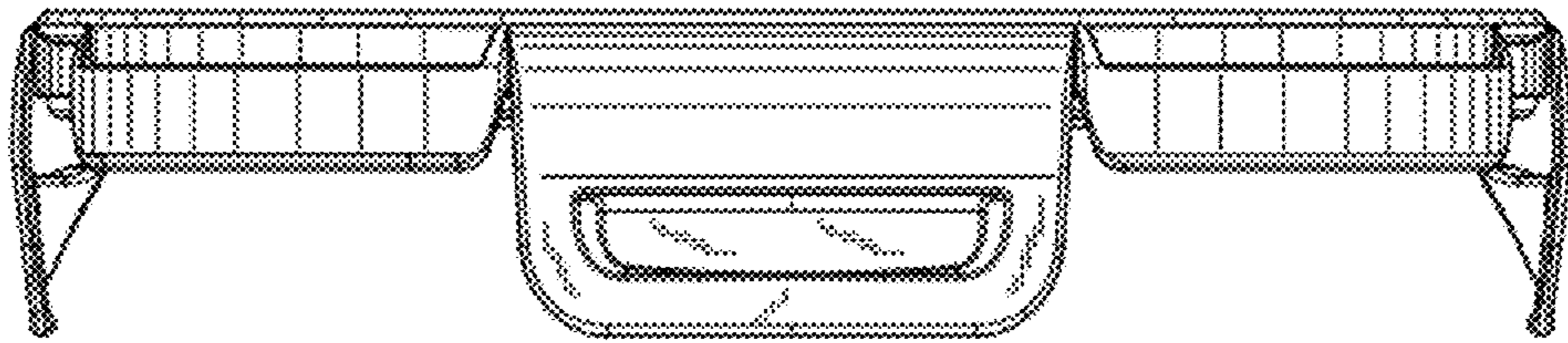


FIG. 10

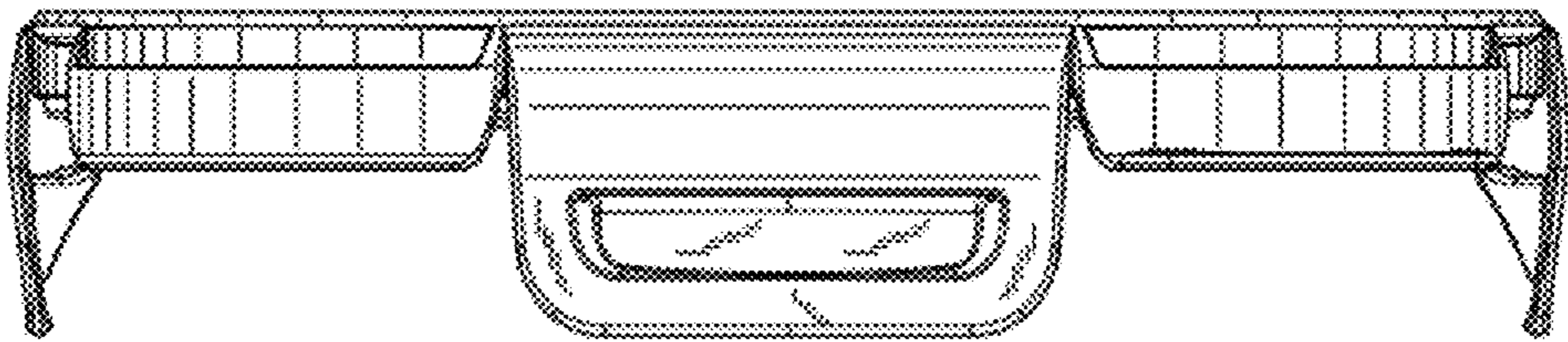


FIG. 11

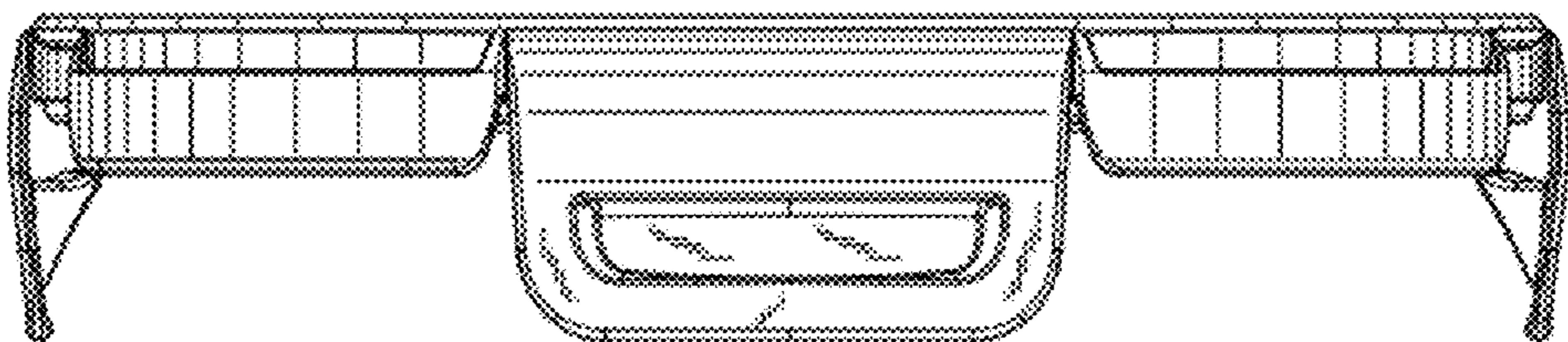


FIG. 12

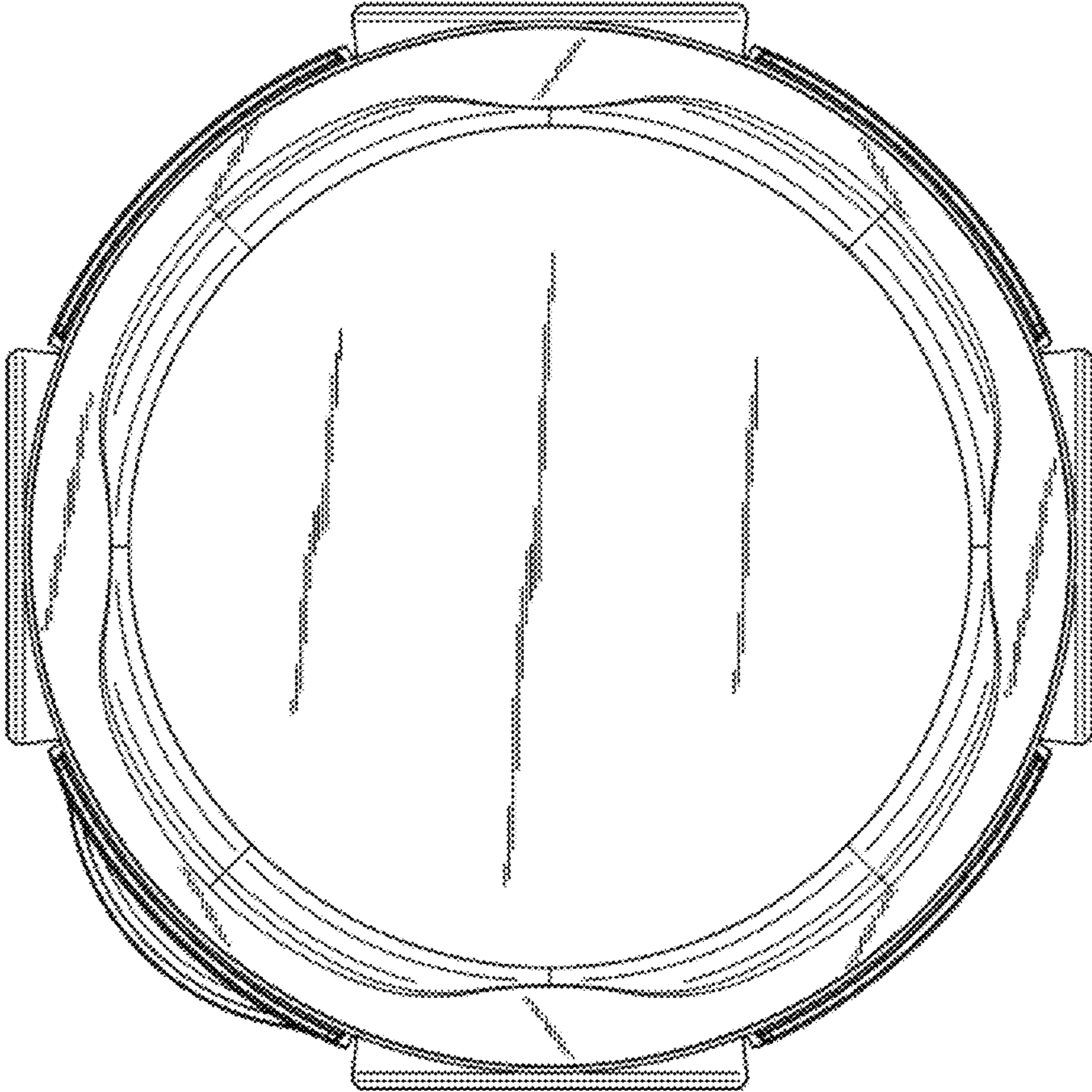


FIG. 13

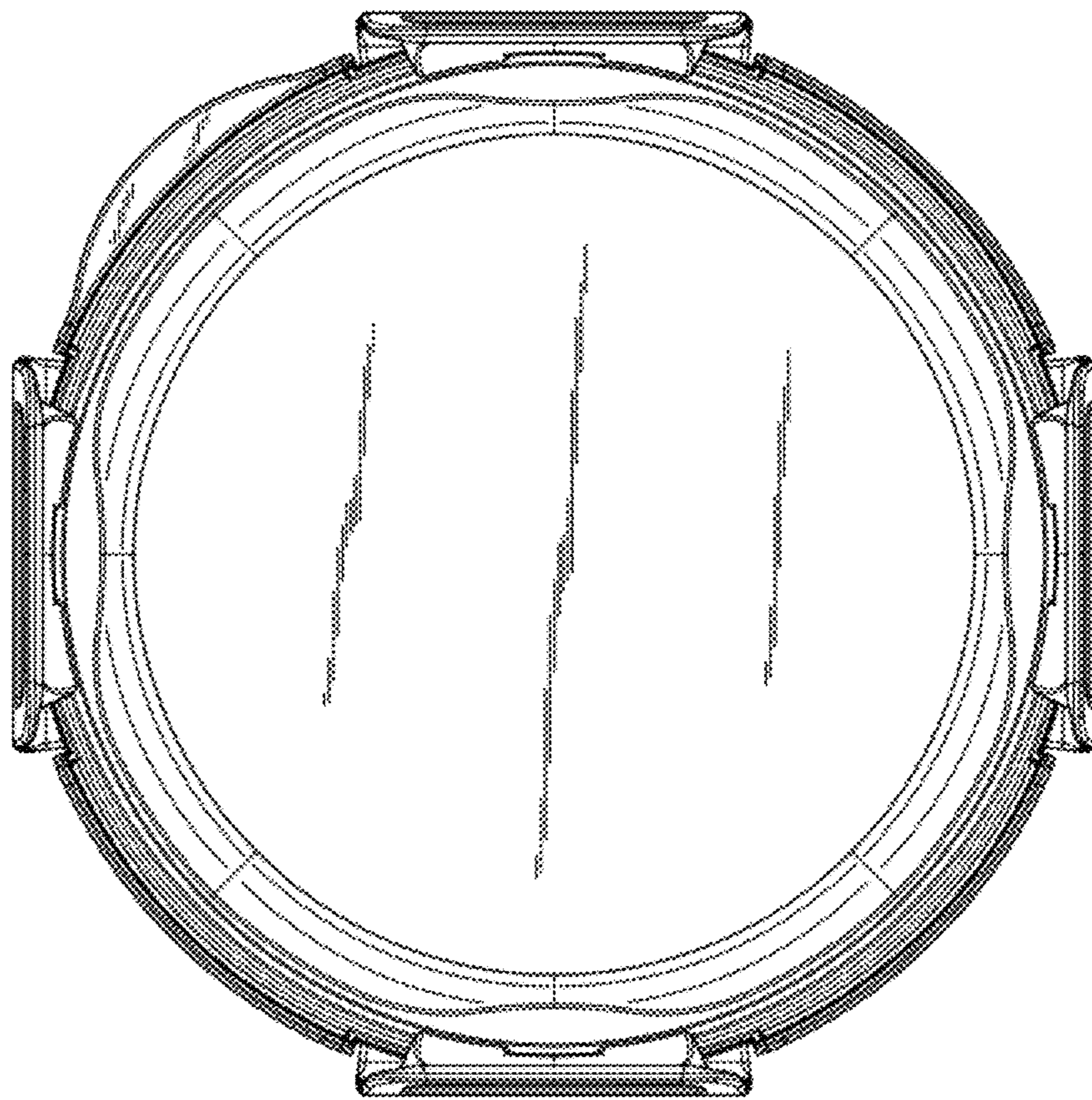


FIG. 14