



US00D677116S

(12) **United States Design Patent**  
**Smyers et al.**

(10) **Patent No.:** **US D677,116 S**  
(45) **Date of Patent:** **\*\* Mar. 5, 2013**

(54) **LIDS FOR CONTAINERS HAVING  
RECTILINEAR CONFIGURATIONS**

(75) Inventors: **Justin Smyers**, Newport Beach, CA  
(US); **Nicolsson Fernandes**, Ontario,  
CA (US); **Karl Ludeman**, Chicago, IL  
(US)

(73) Assignee: **Snapware Corporation**, Mira Loma,  
CA (US)

(\*\*) Term: **14 Years**

(21) Appl. No.: **29/415,354**

(22) Filed: **Mar. 9, 2012**

(51) **LOC (9) Cl.** ..... **07-02**

(52) **U.S. Cl.** ..... **D7/391**

(58) **Field of Classification Search** ..... D3/218,  
D3/282, 302, 323; D7/318, 323, 354-363,  
D7/391-396, 392.1, 402, 538, 541-543, 601-602,  
D7/610, 629; D9/434-435, 443, 629, 757;  
16/110.1, 407, 430-431, 441, 443; 219/620-622,  
219/725, 729-730, 734; 220/212, 326, 365-367.1,  
220/573.1-573.5, 752-758, 767-771, 784-788,  
220/832, 912

See application file for complete search history.

(56) **References Cited**

**U.S. PATENT DOCUMENTS**

D356,256	S	*	3/1995	Romanoff	.....	D3/282
D452,374	S	*	12/2001	Kim	.....	D3/302
6,415,947	B1	*	7/2002	Kim	.....	220/788
D481,910	S	*	11/2003	Kim	.....	D7/629
D483,622	S	*	12/2003	Kim	.....	D7/629
D484,367	S	*	12/2003	Kim	.....	D7/629
D493,073	S	*	7/2004	Kim	.....	D7/629
D500,227	S	*	12/2004	Seok	.....	D7/392.1
D514,811	S	*	2/2006	Koo	.....	D3/323
D514,954	S	*	2/2006	Kim	.....	D9/757
D516,376	S	*	3/2006	Kim	.....	D7/392.1
D517,311	S	*	3/2006	Kim	.....	D3/218
D528,357	S	*	9/2006	Hsu	.....	D7/392.1
D544,762	S	*	6/2007	Zimmerman	.....	D7/629
D549,519	S	*	8/2007	Moon et al.	.....	D7/391
D562,083	S	*	2/2008	Lown et al.	.....	D7/629

D610,878	S	*	3/2010	Kim	.....	D7/629
D610,879	S	*	3/2010	Kim	.....	D7/629
7,854,344	B2	*	12/2010	Suk	.....	220/326
D651,477	S	*	1/2012	Nie	.....	D7/629
D651,479	S	*	1/2012	Nie	.....	D7/629
D660,092	S	*	5/2012	Kyung	.....	D7/629
D660,094	S	*	5/2012	Kyung	.....	D7/629
D660,095	S	*	5/2012	Kyung	.....	D7/629
2004/0084464	A1	*	5/2004	Koo	.....	220/784
2005/0006390	A1	*	1/2005	Wang	.....	220/326

\* cited by examiner

*Primary Examiner* — Ricky Pham

(74) *Attorney, Agent, or Firm* — Larry K. Roberts

(57) **CLAIM**

The ornamental design for lids for containers having rectilinear configurations, as shown and described.

**DESCRIPTION**

FIG. 1 is an isometric view of an embodiment of the design; FIG. 2 is a front elevation view of the embodiment of FIG. 1; FIG. 3 is a rear elevation view of the embodiment of FIG. 1; FIG. 4 is a right elevation view of the embodiment of FIG. 1; FIG. 5 is a left elevation view of the embodiment of FIG. 1; FIG. 6 is a top view of the embodiment of FIG. 1; FIG. 7 is a bottom view of the embodiment of FIG. 1; FIG. 8 is an isometric view of another embodiment of the design; FIG. 9 is a front elevation view of the embodiment of FIG. 8; FIG. 10 is a rear elevation view of the embodiment of FIG. 8; FIG. 11 is a right elevation view of the embodiment of FIG. 8; FIG. 12 is a left elevation view of the embodiment of FIG. 8; FIG. 13 is a top view of the embodiment of FIG. 8; FIG. 14 is a bottom view of the embodiment of FIG. 8; FIG. 15 is an isometric view of another embodiment of the design; FIG. 16 is a front elevation view of the embodiment of FIG. 15; FIG. 17 is a rear elevation view of the embodiment of FIG. 15; FIG. 18 is a right elevation view of the embodiment of FIG. 15; FIG. 19 is a left elevation view of the embodiment of FIG. 15; FIG. 20 is a top view of the embodiment of FIG. 15;

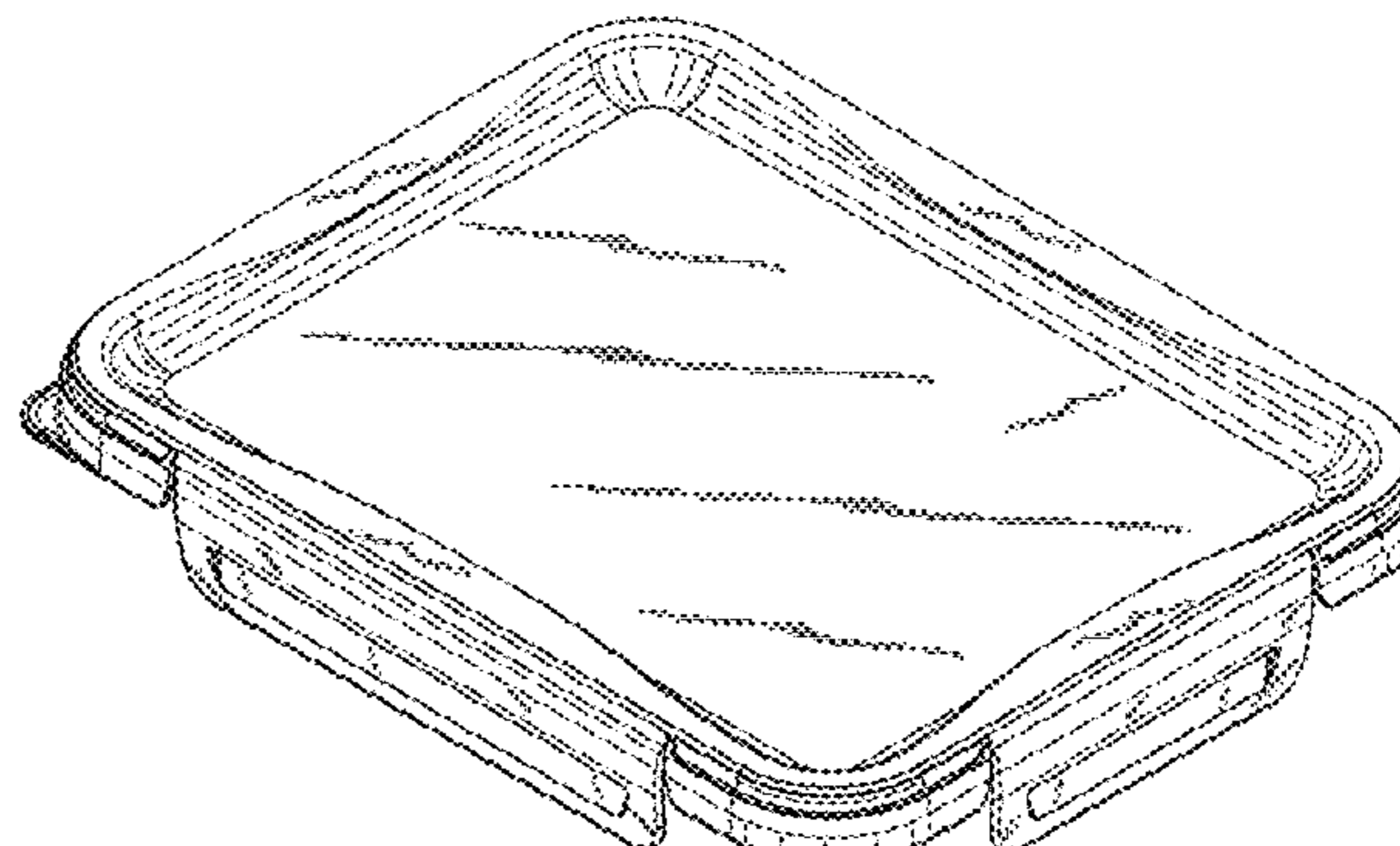
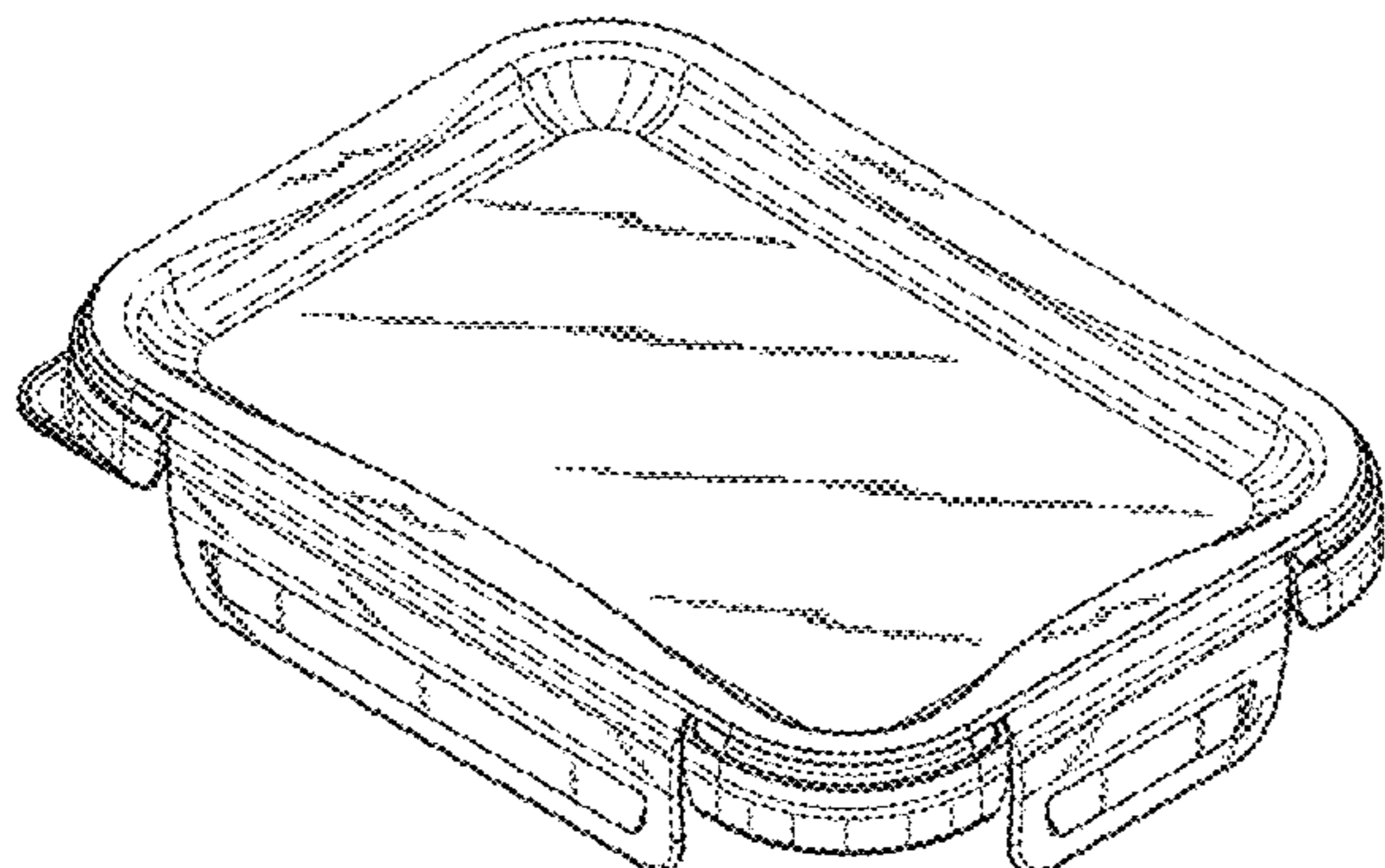


FIG. **21** is a bottom view of the embodiment of FIG. **15**;  
FIG. **22** is an isometric view of another embodiment of the  
design;  
FIG. **23** is a front elevation view of the embodiment of FIG.  
**22**;  
FIG. **24** is a rear elevation view of the embodiment of FIG. **22**;

FIG. **25** is a right elevation view of the embodiment of FIG.  
**22**;  
FIG. **26** is a left elevation view of the embodiment of FIG. **22**;  
FIG. **27** is a top view of the embodiment of FIG. **22**; and,  
FIG. **28** is a bottom view of the embodiment of FIG. **22**.

**1 Claim, 16 Drawing Sheets**

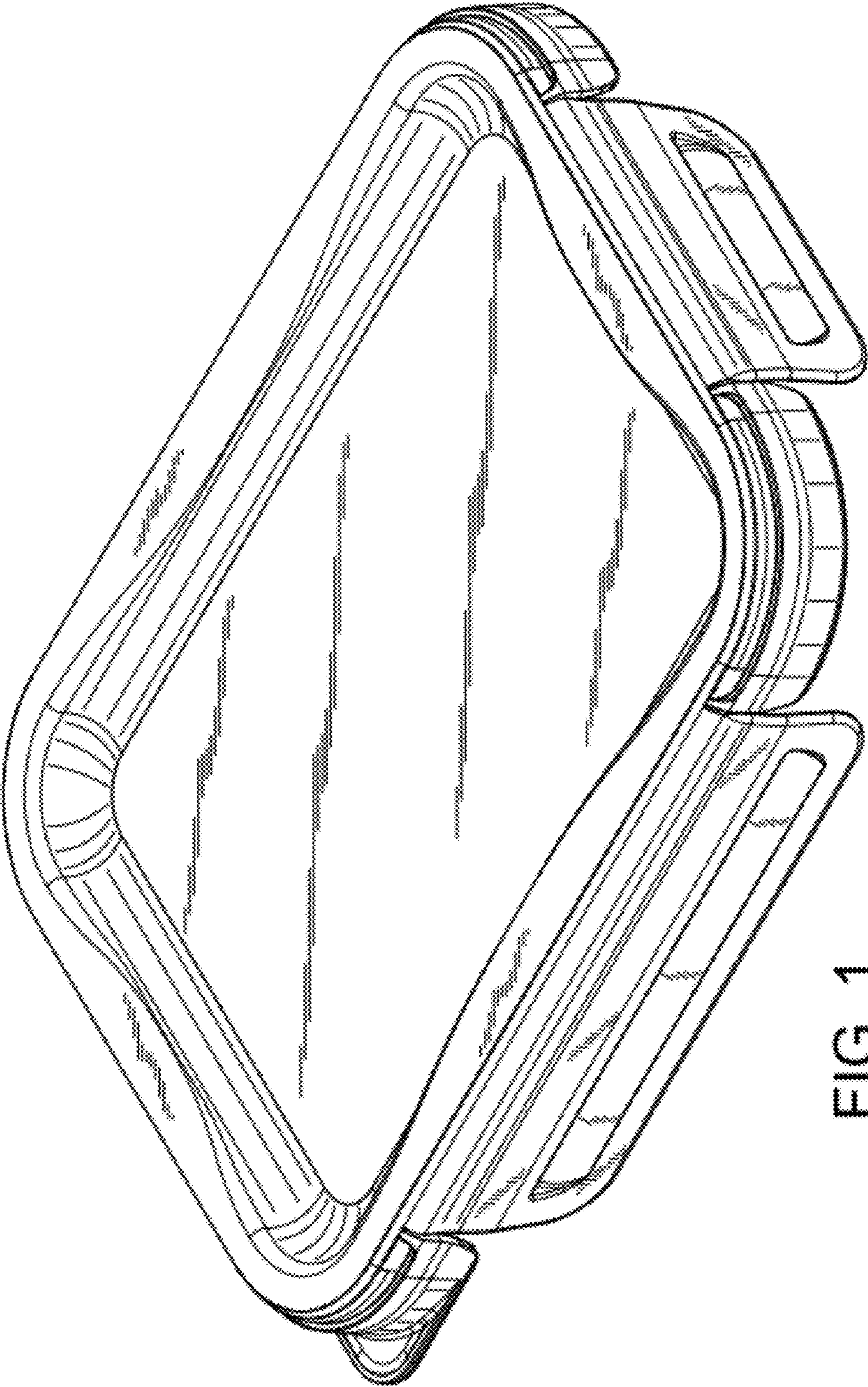


FIG. 1

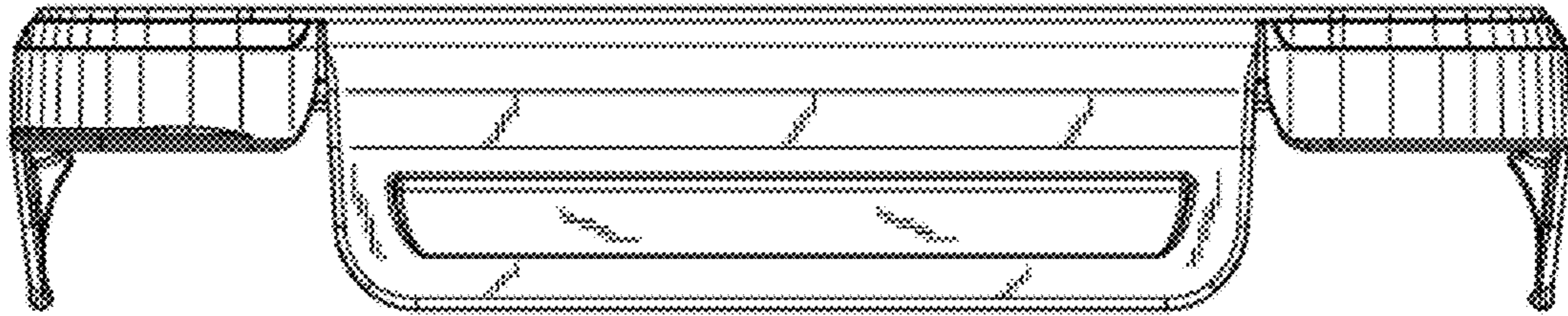


FIG. 2

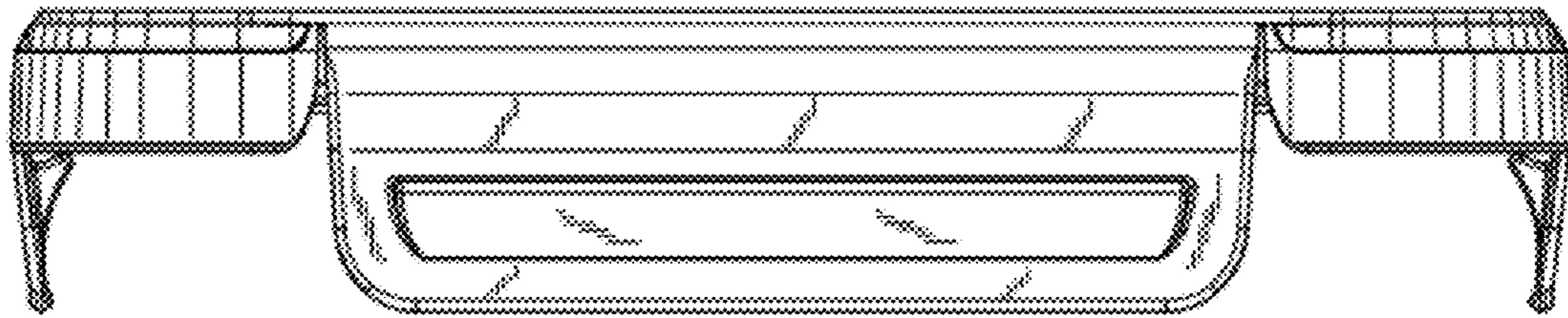


FIG. 3



FIG. 4



FIG. 5

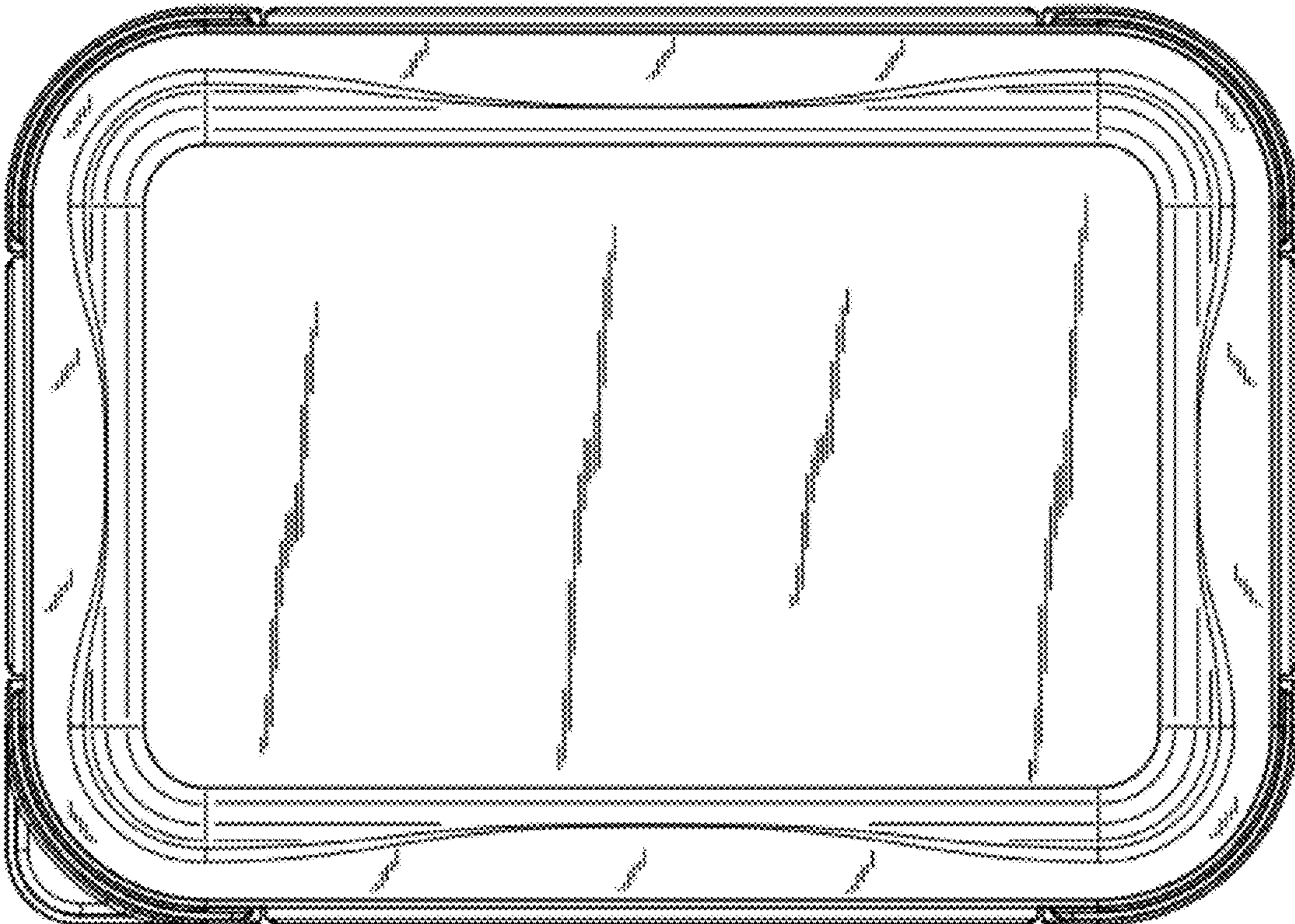


FIG. 6

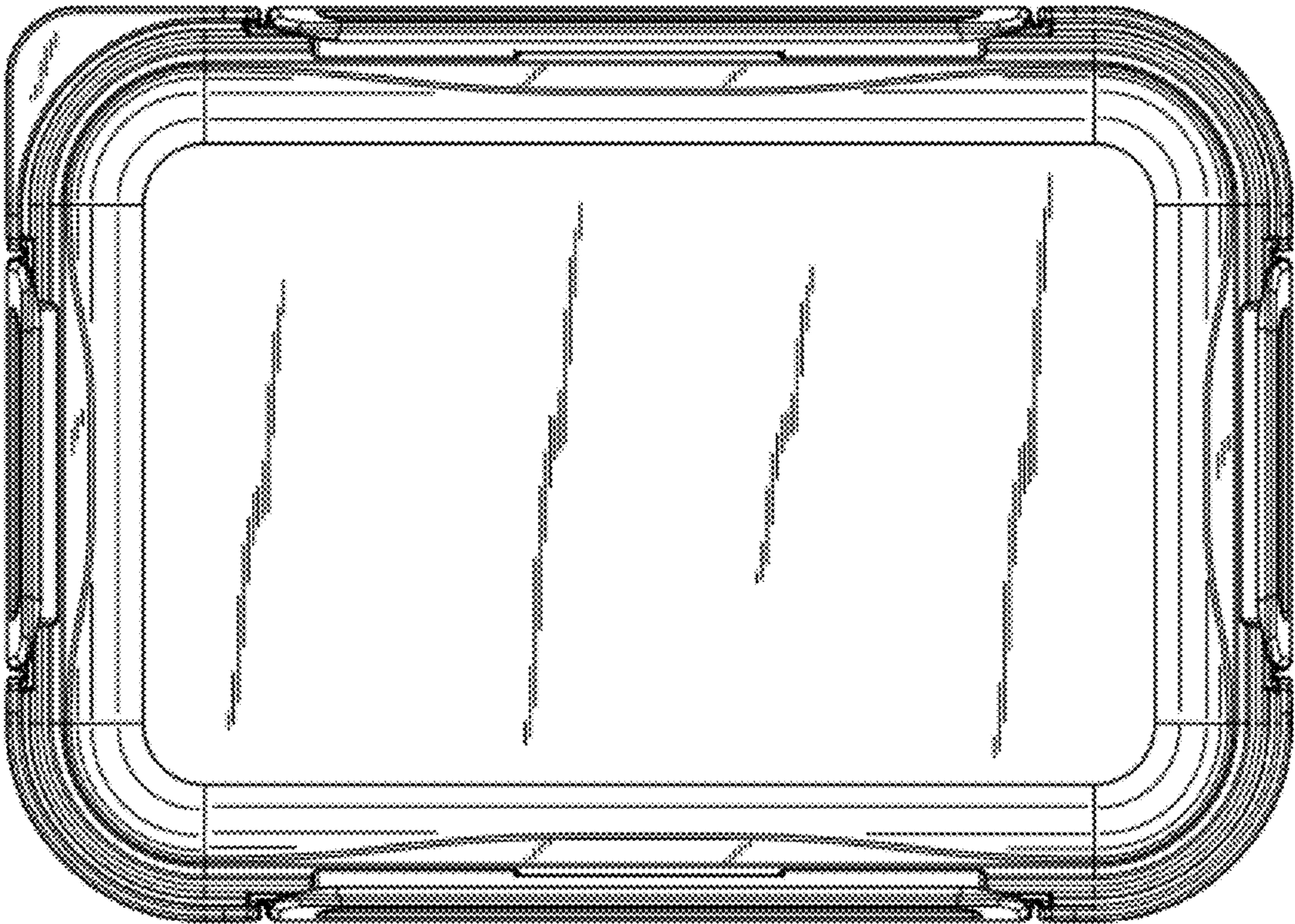


FIG. 7

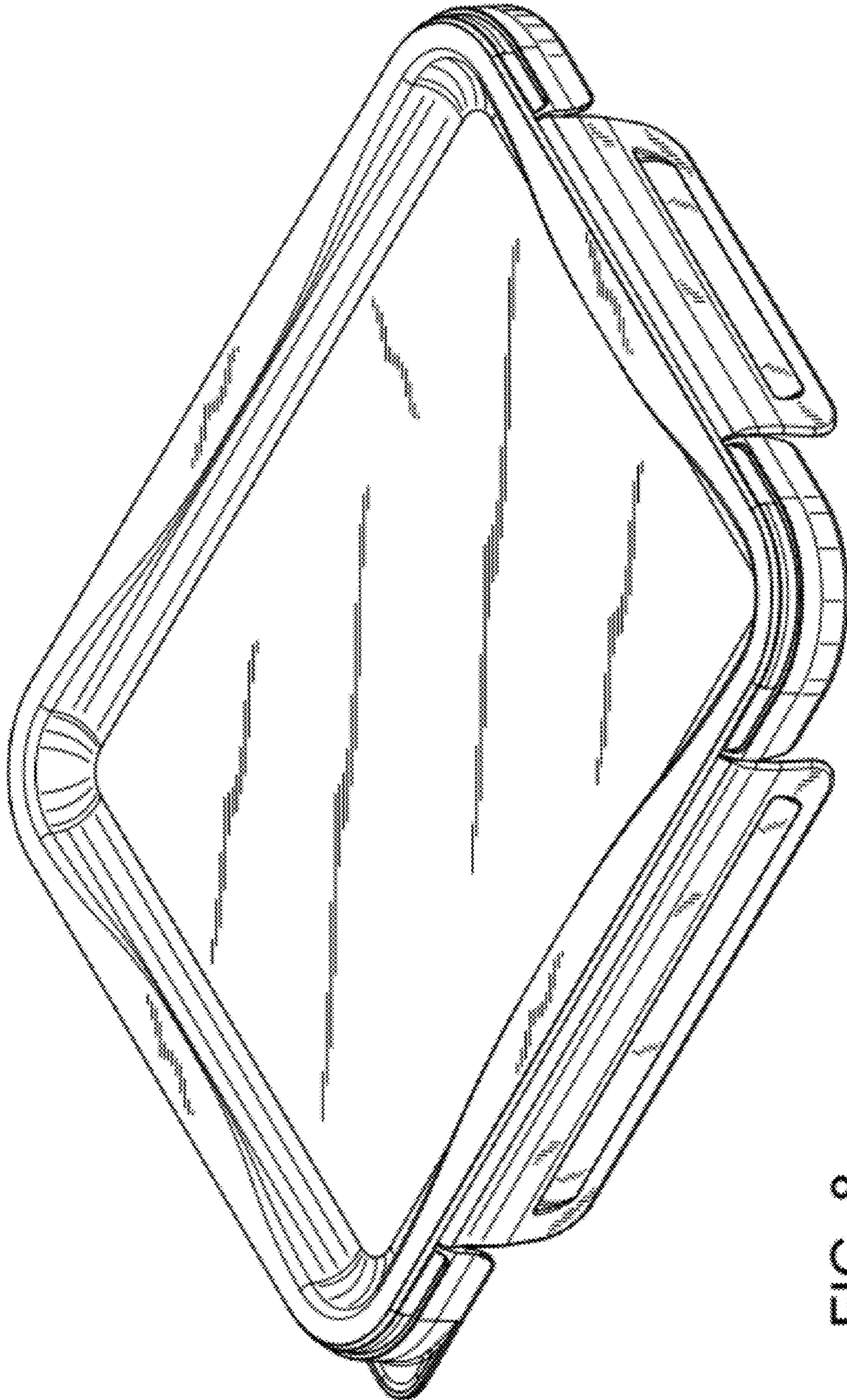


FIG. 8

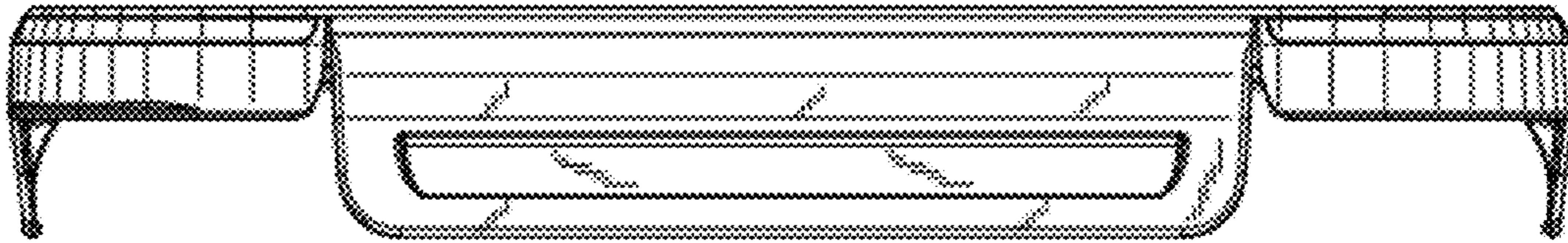


FIG. 9

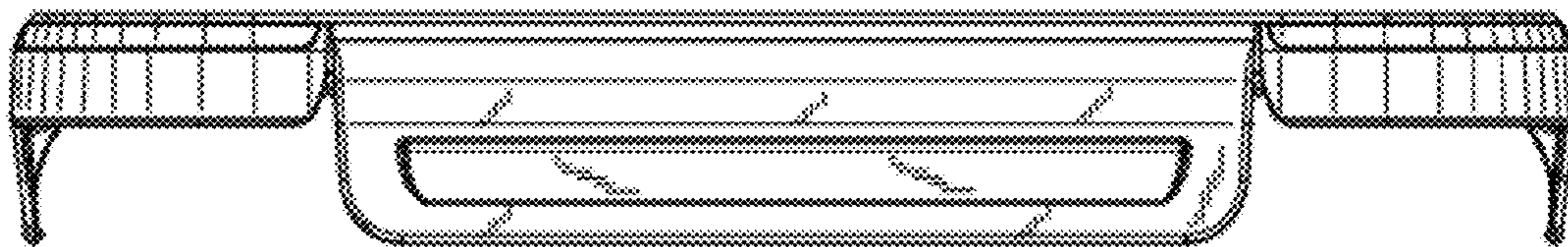


FIG. 10

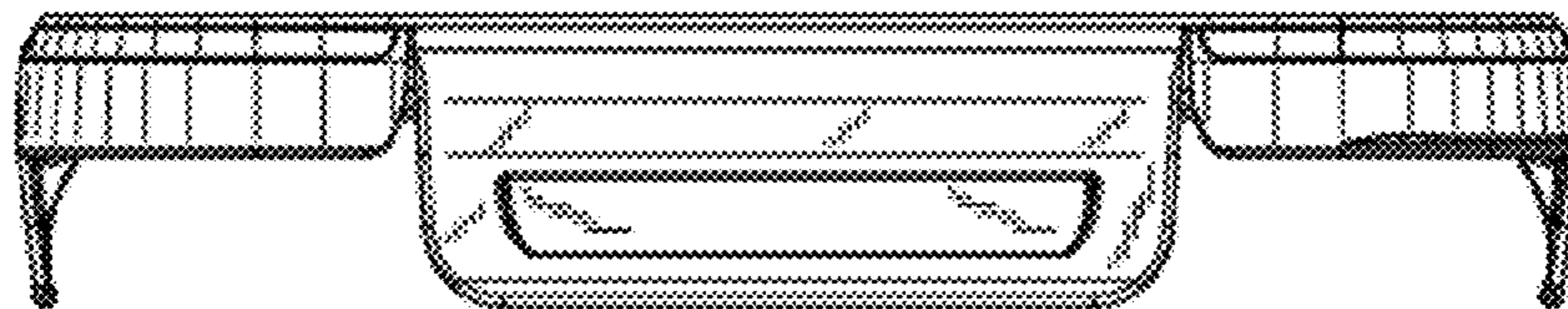


FIG. 11

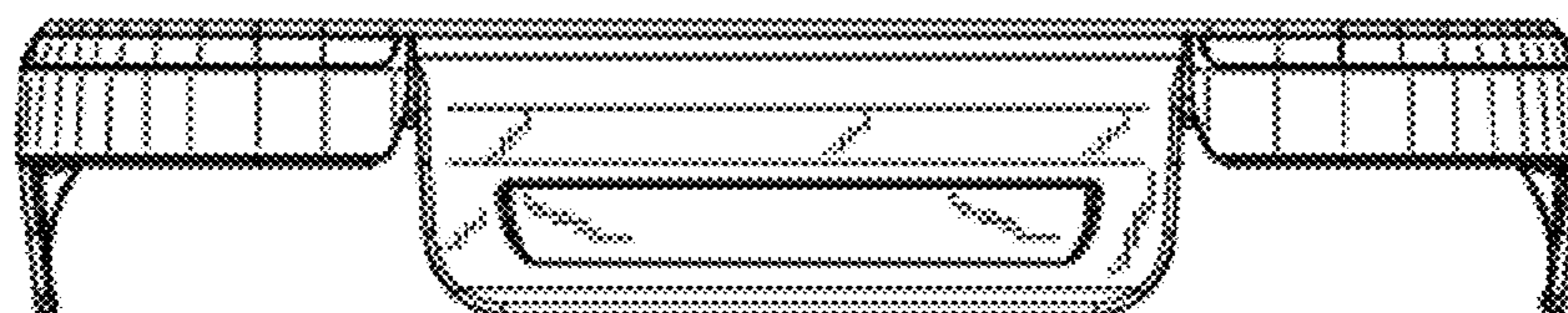


FIG. 12



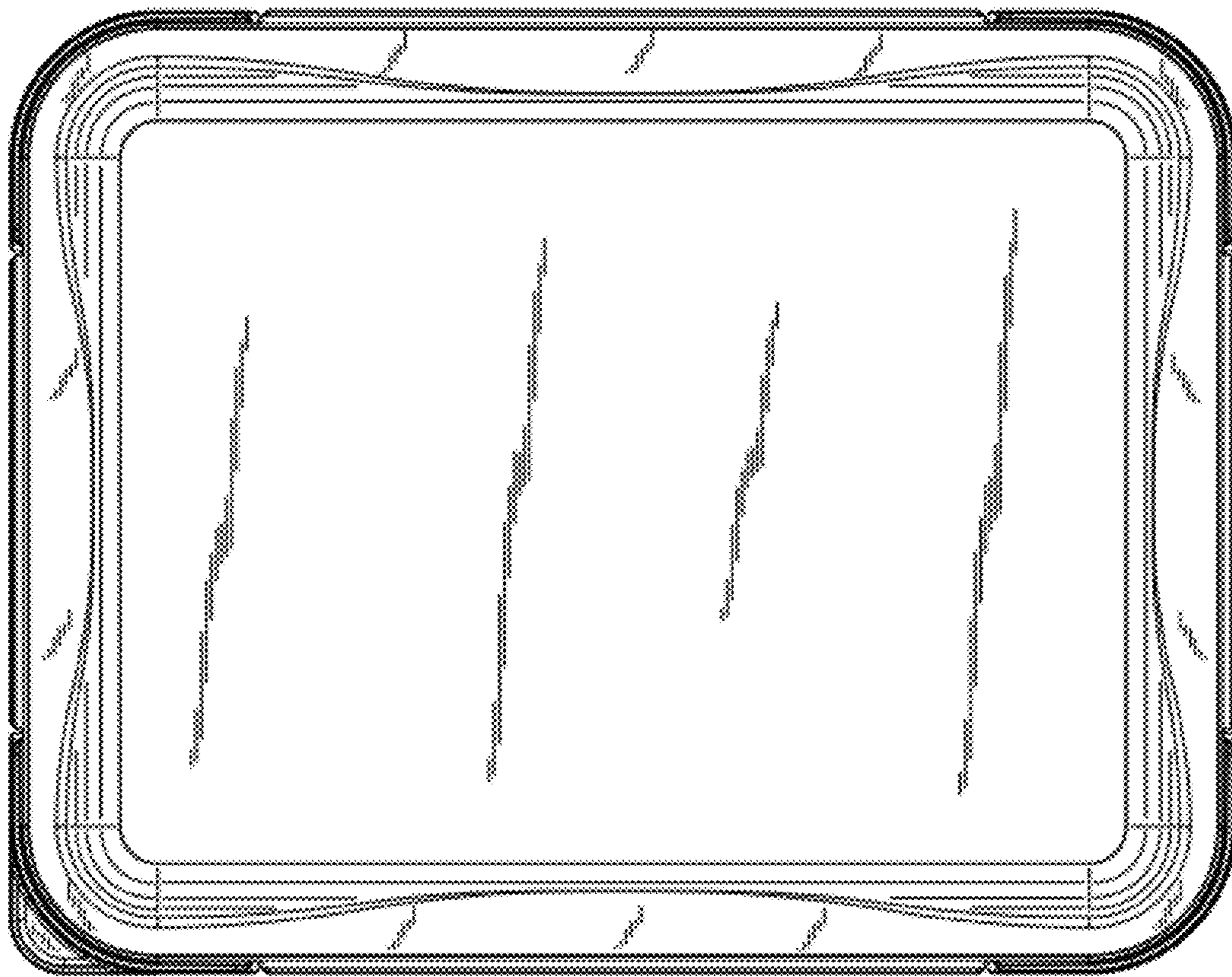


FIG. 13

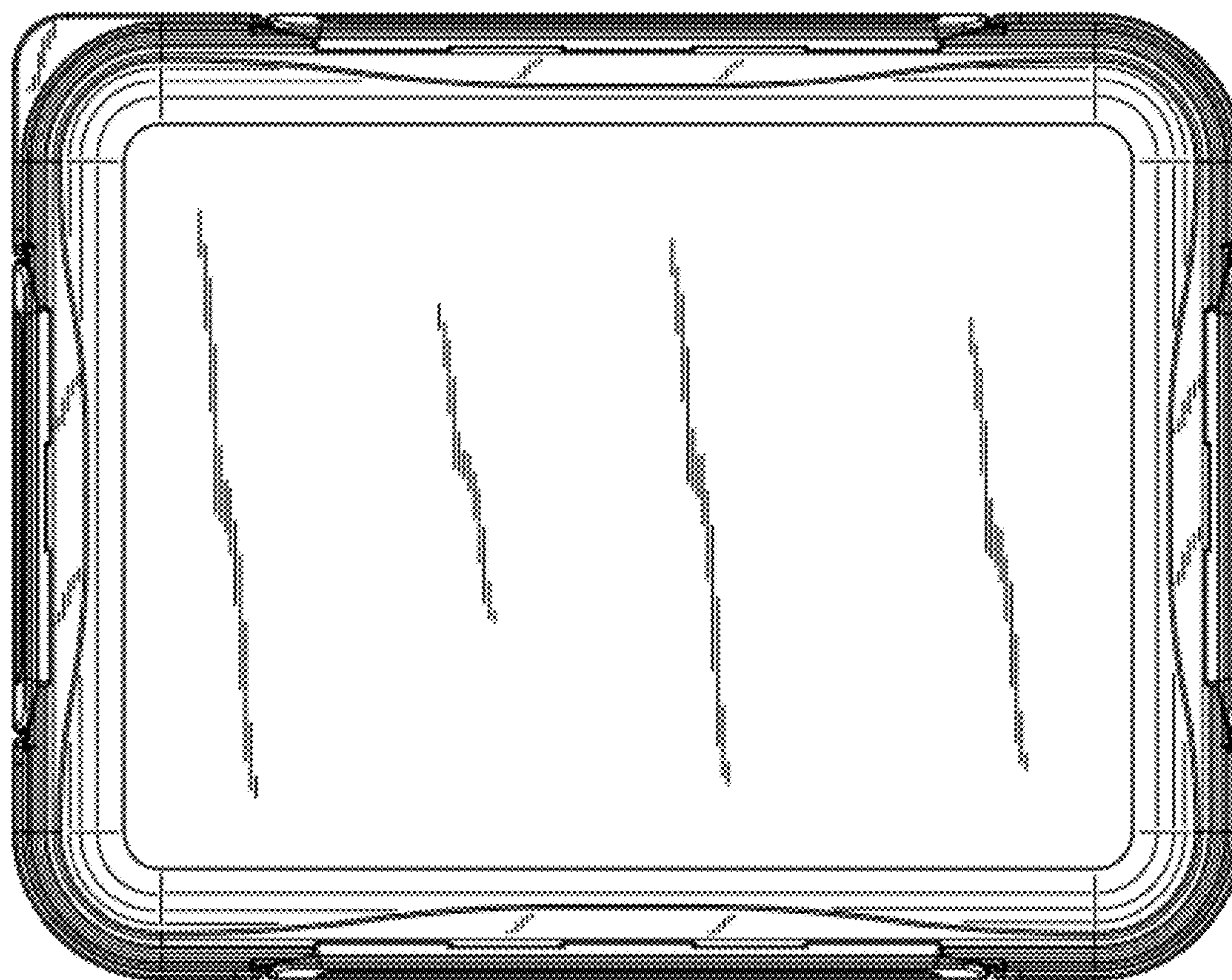


FIG. 14

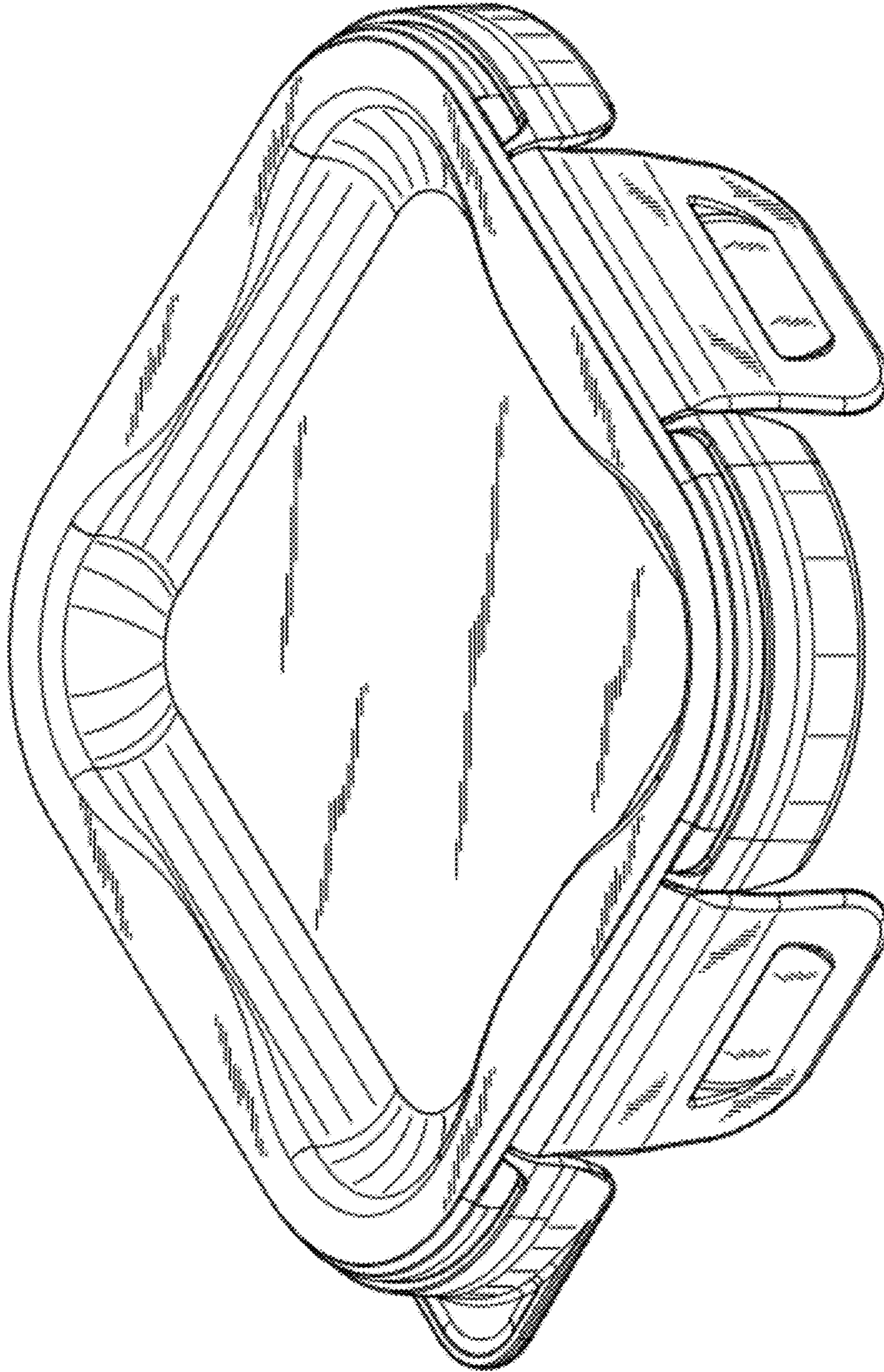


FIG. 15

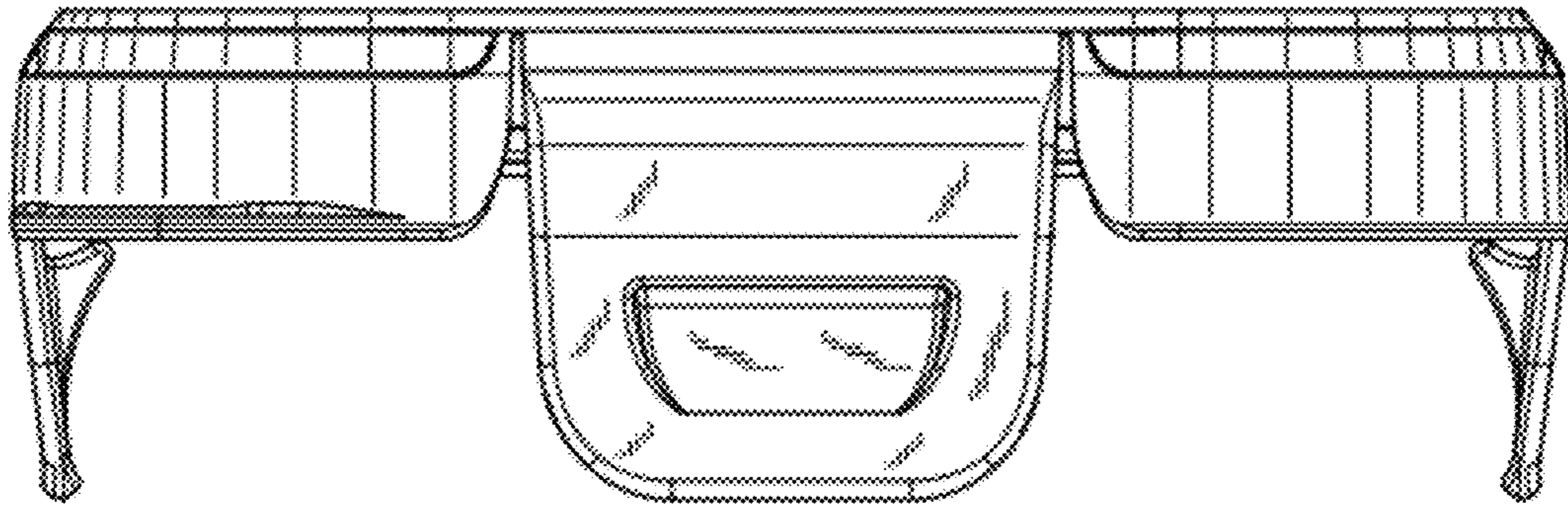


FIG. 16

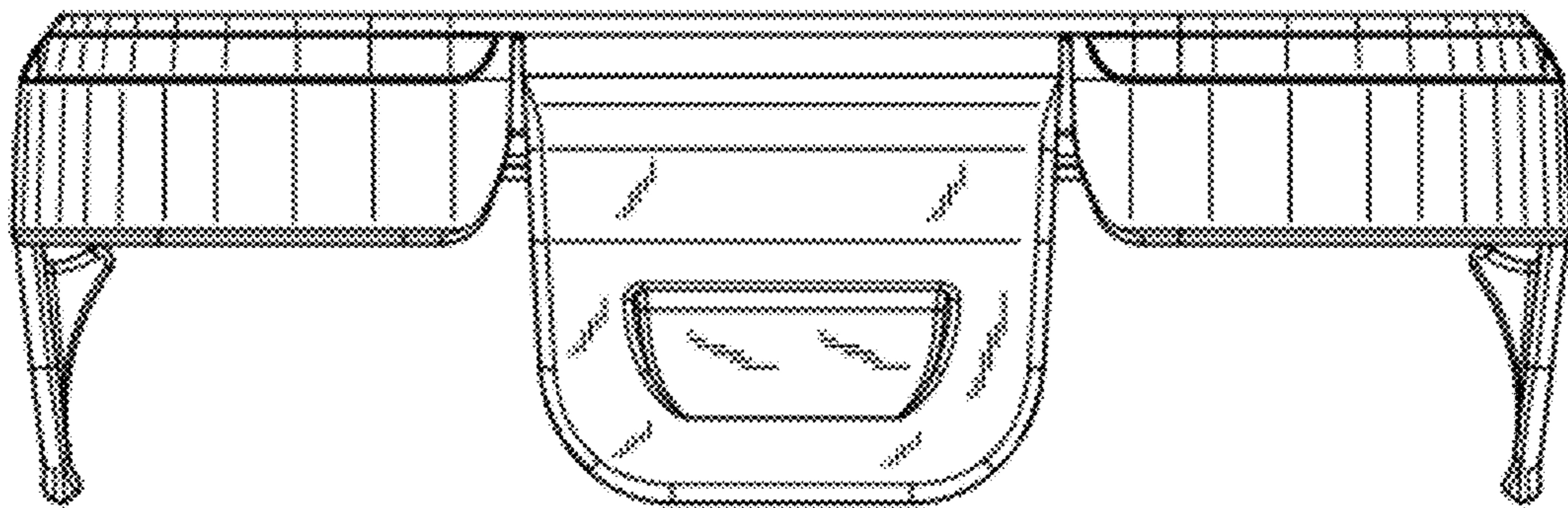


FIG. 17

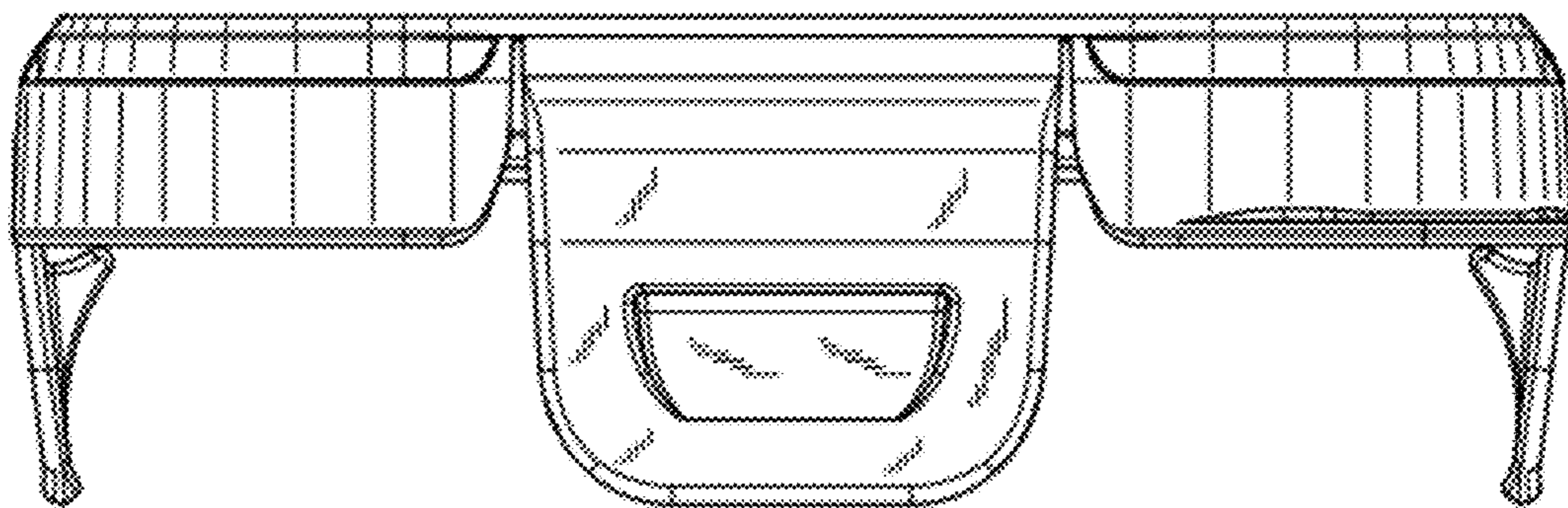


FIG. 18

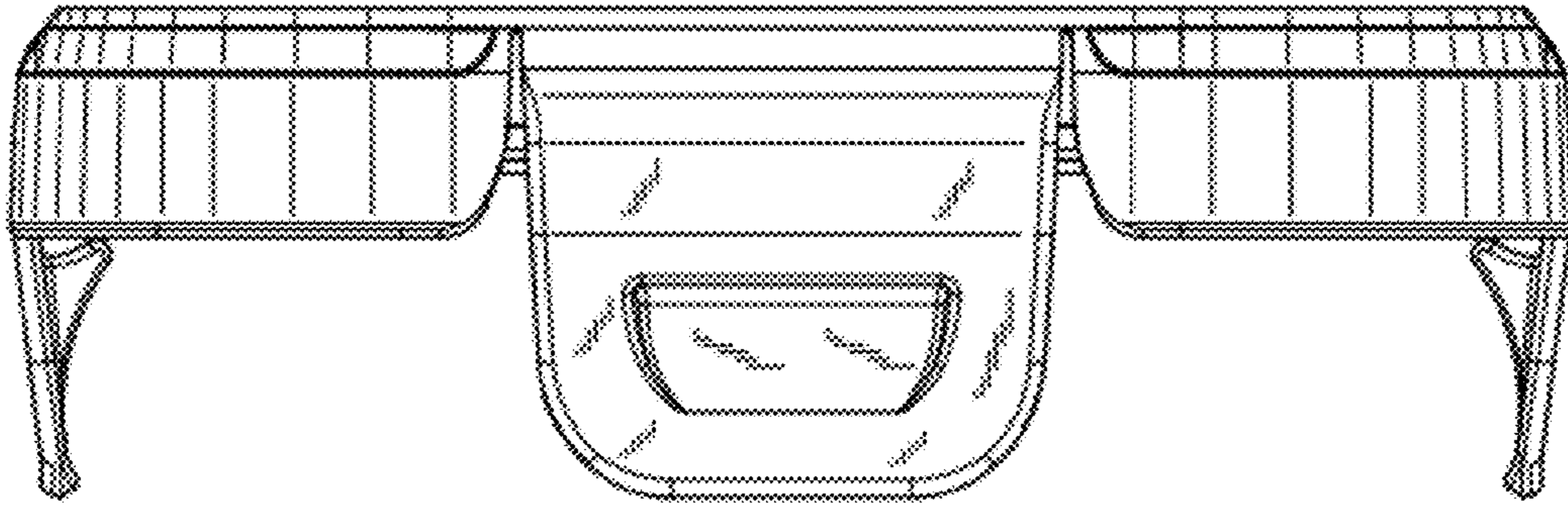


FIG. 19

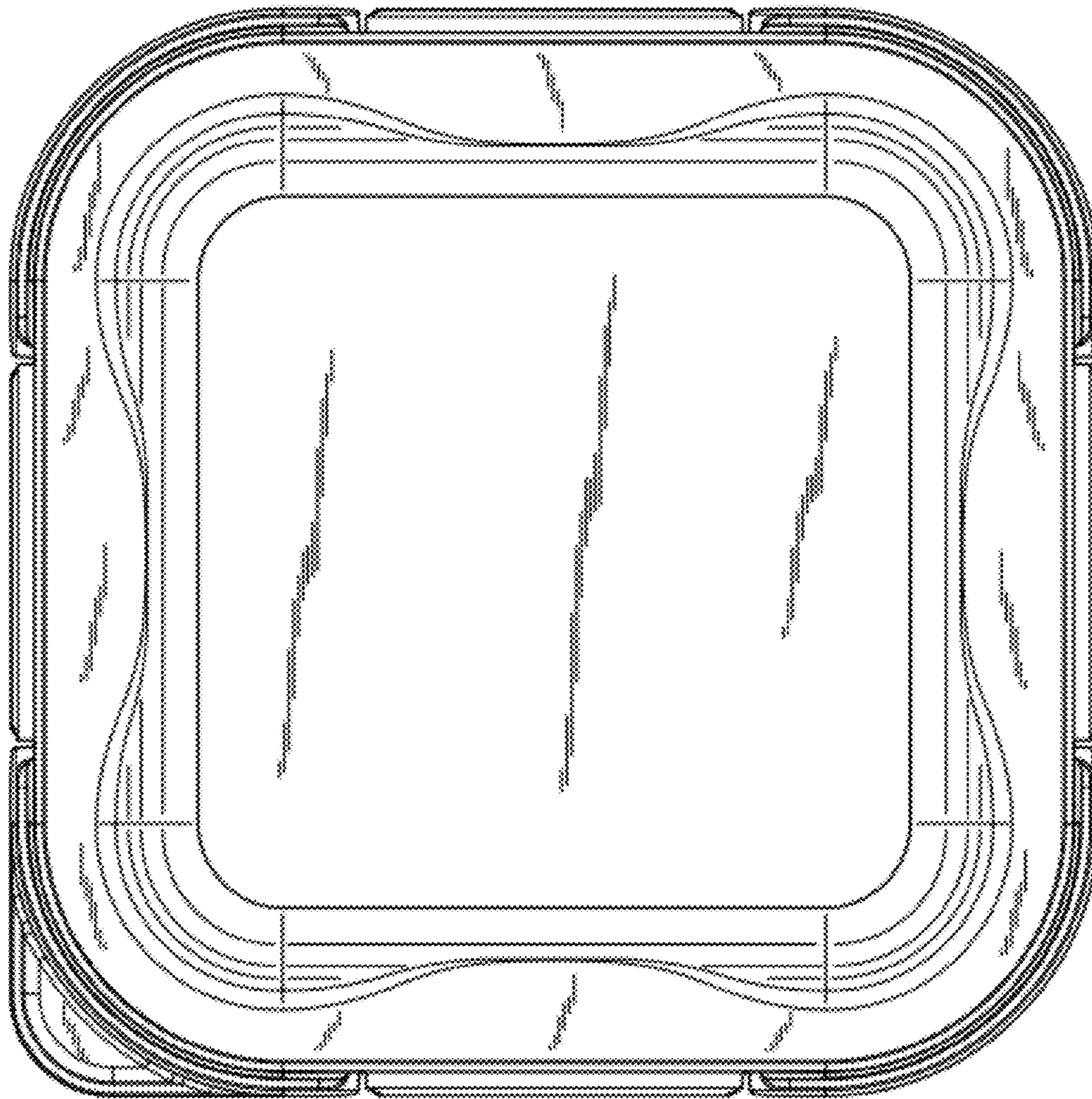


FIG. 20

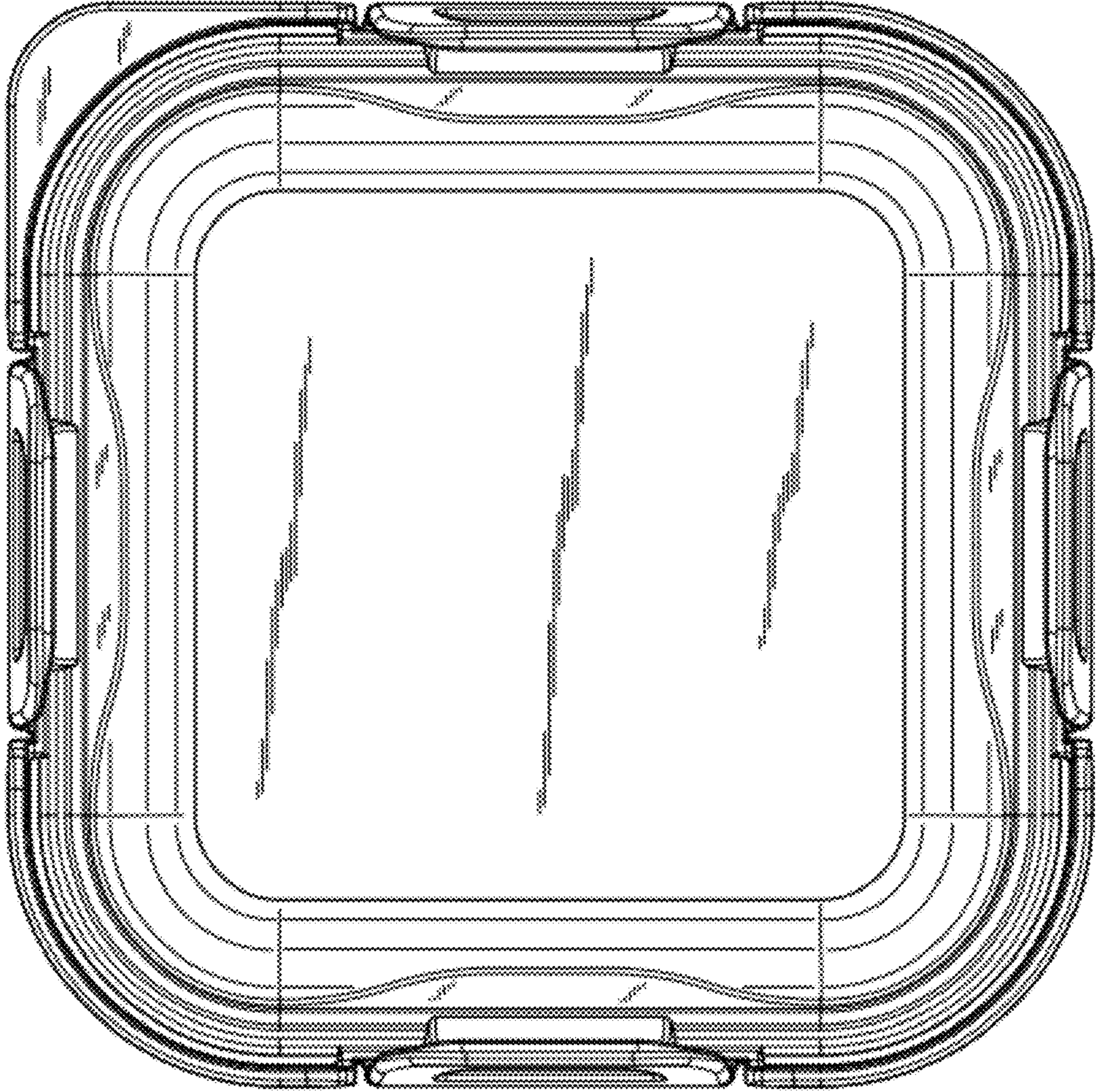


FIG. 21

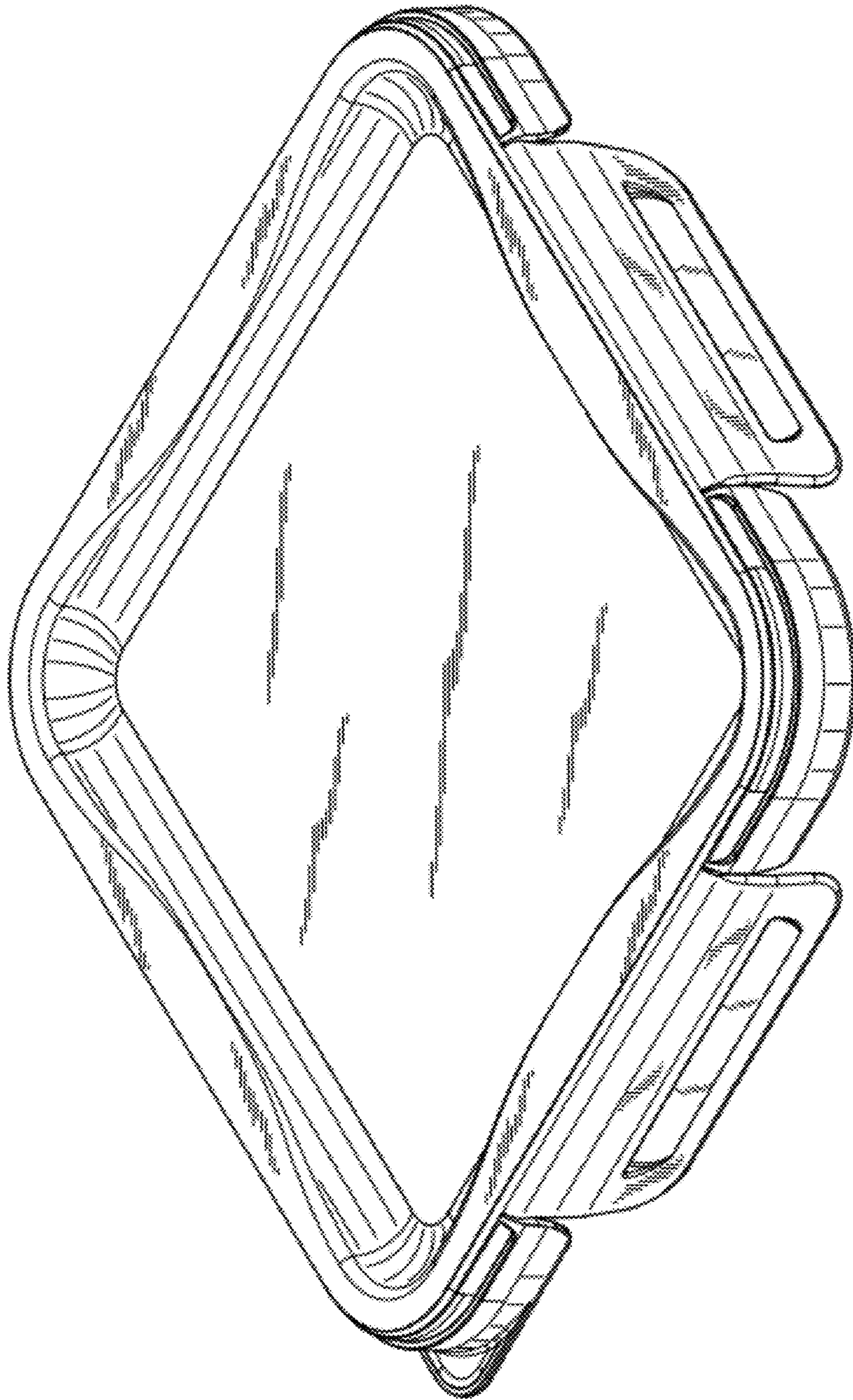


FIG. 22



FIG. 23



FIG. 24



FIG. 25



FIG. 26



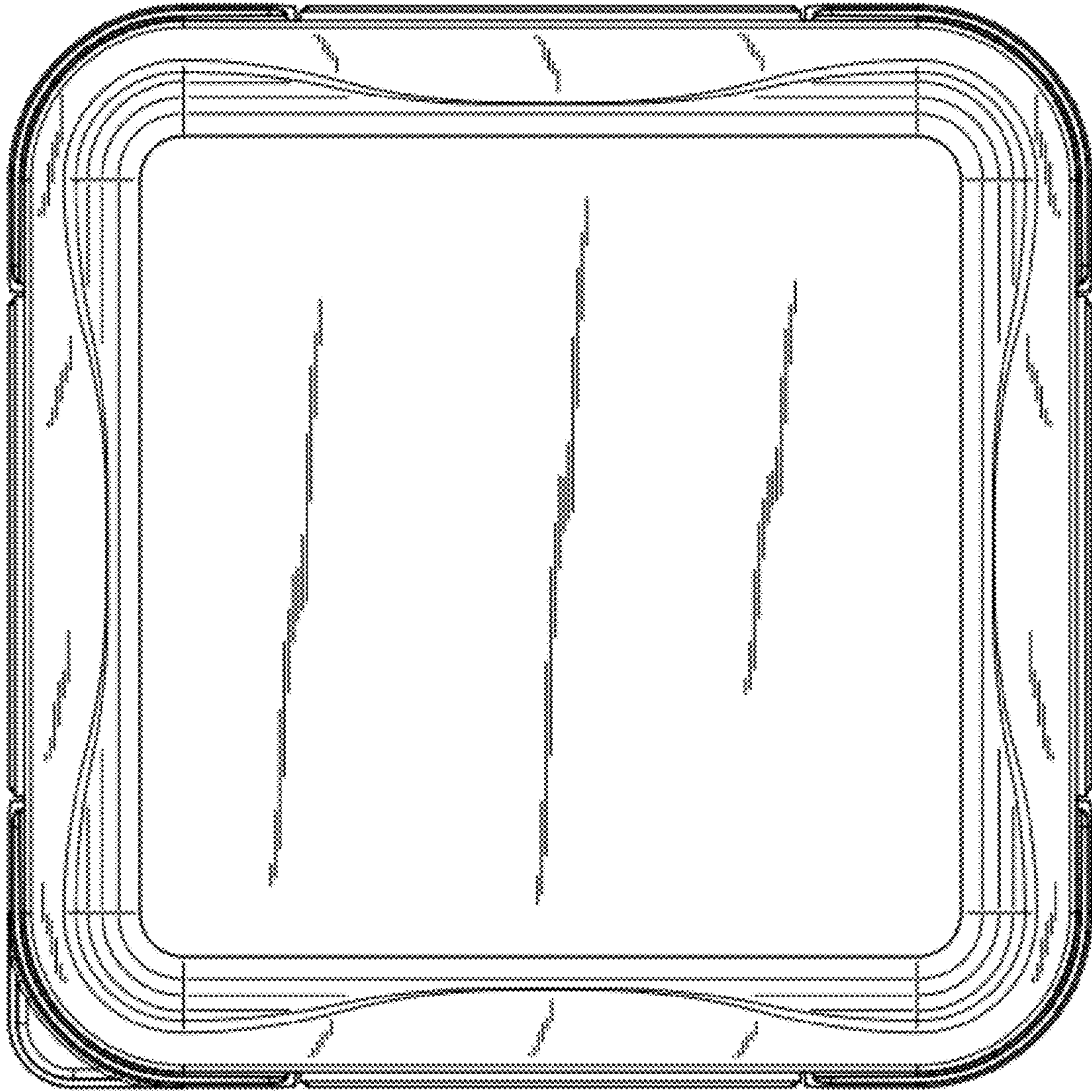


FIG. 27

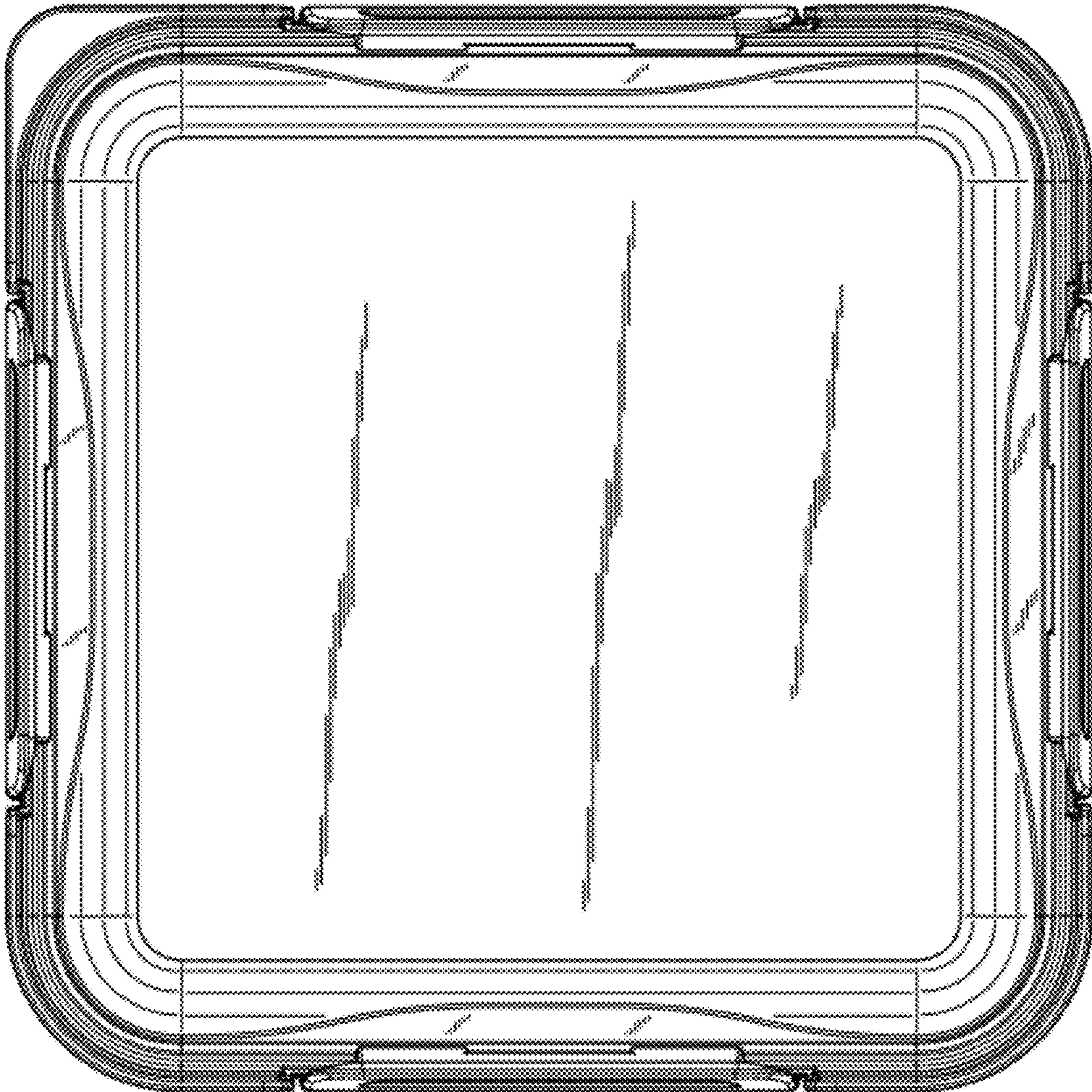


FIG. 28