



US00D677111S

(12) **United States Design Patent**
Chung

(10) **Patent No.:** **US D677,111 S**
(45) **Date of Patent:** **** Mar. 5, 2013**

(54) **BARBECUE GRILL**

(76) Inventor: **Kiosky Chung, Taichung (TW)**

(**) Term: **14 Years**

(21) Appl. No.: **29/429,972**

(22) Filed: **Aug. 20, 2012**

(51) **LOC (9) Cl.** **07-02**

(52) **U.S. Cl.** **D7/337**

(58) **Field of Classification Search** D7/332,
D7/334, 337, 402-404, 408-409, 362-363,
D7/365, 367, 354-355, 359; 126/27, 44,
126/25 R, 41 R, 9 R, 40, 50, 38, 39 H, 39 N,
126/39 K, 39 M, 39 R; 99/425, 444-44,
99/450; 431/247, 207, 264

See application file for complete search history.

(56) **References Cited**

U.S. PATENT DOCUMENTS

D464,844 S *	10/2002	Pai	D7/337
D498,113 S *	11/2004	Zhang	D7/332
D549,038 S *	8/2007	Chung	D7/337
D600,494 S *	9/2009	Chung	D7/337
D600,970 S *	9/2009	Chung	D7/337

D610,861 S *	3/2010	Chung	D7/337
D630,464 S *	1/2011	Chung	D7/337
D630,465 S *	1/2011	Chung	D7/337
D653,898 S *	2/2012	Chung	D7/337
D653,899 S *	2/2012	Chung	D7/337

* cited by examiner

Primary Examiner — Ruth McInroy

(57) **CLAIM**

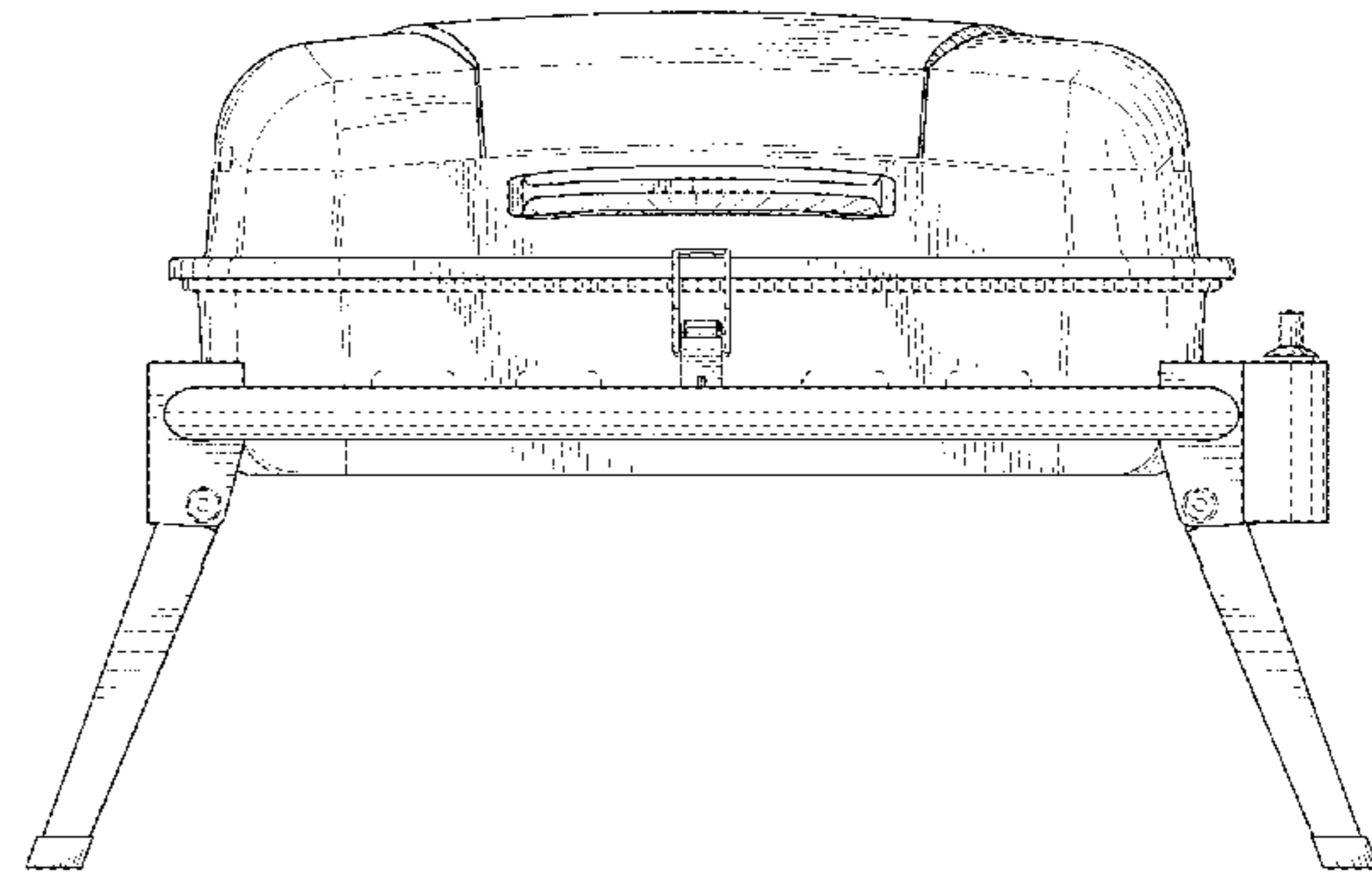
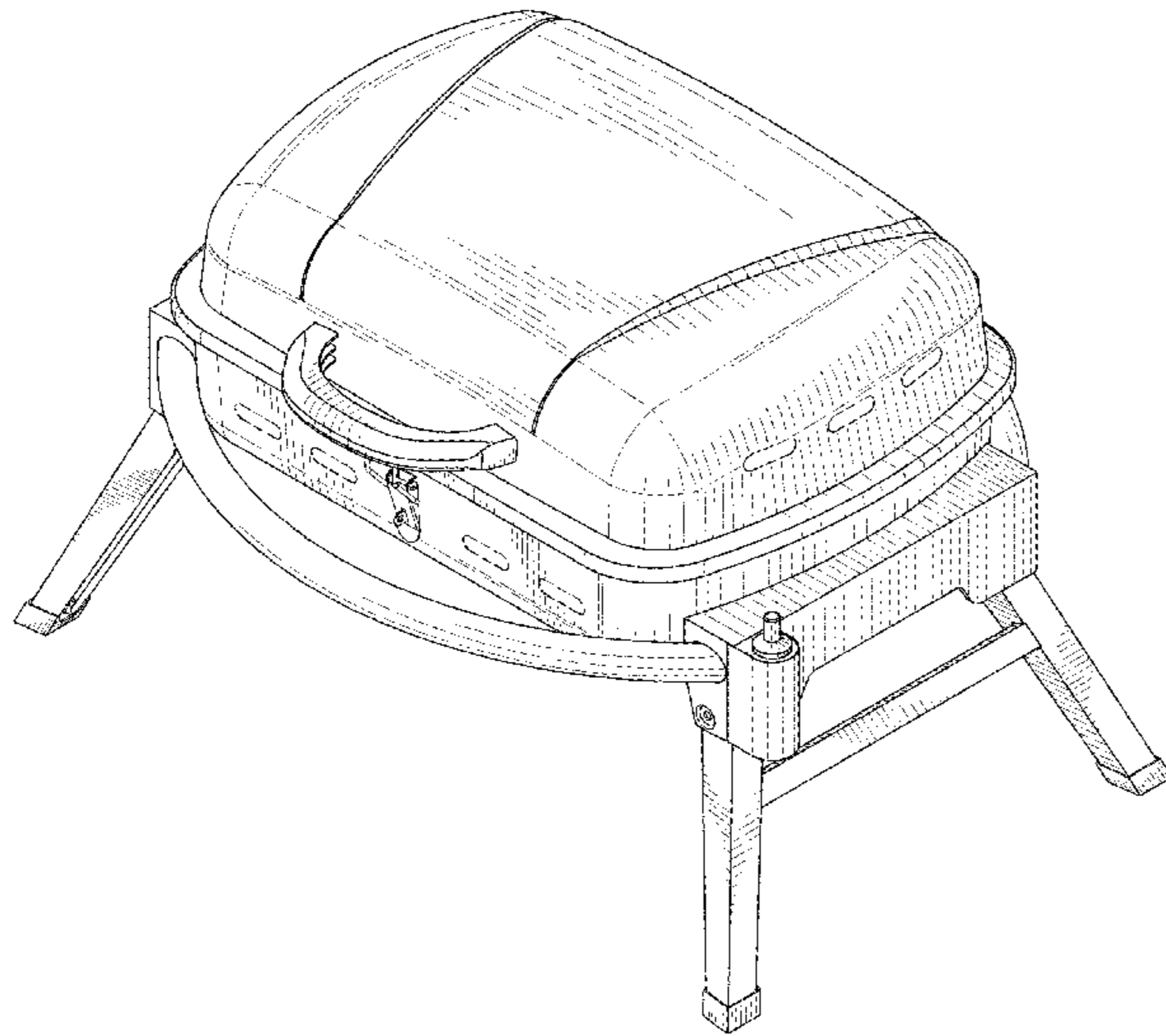
I claim the ornamental design for a barbecue grill, as shown and described.

DESCRIPTION

FIG. 1 is a perspective view of a barbecue grill, showing my new design;
FIG. 2 is a front elevational view thereof;
FIG. 3 is a rear elevational view thereof;
FIG. 4 is a left side elevational view thereof;
FIG. 5 is a right side elevational view thereof;
FIG. 6 is a top plan view thereof; and,
FIG. 7 is a bottom plan view thereof.

The broken lines shown in the drawings are for the purpose of illustrating unclaimed portions of the barbecue grill and form no part of the claimed design.

1 Claim, 7 Drawing Sheets



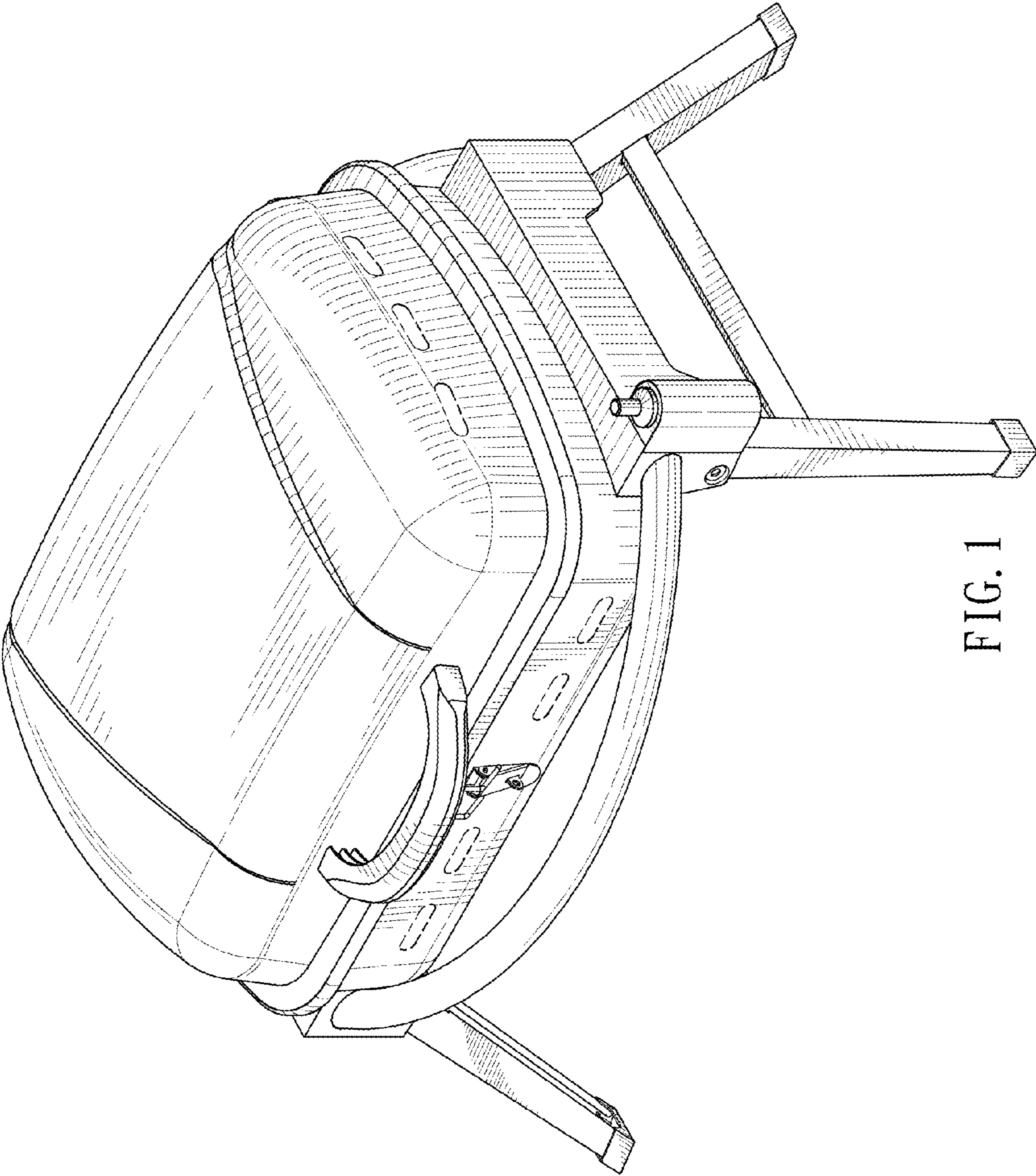


FIG. 1

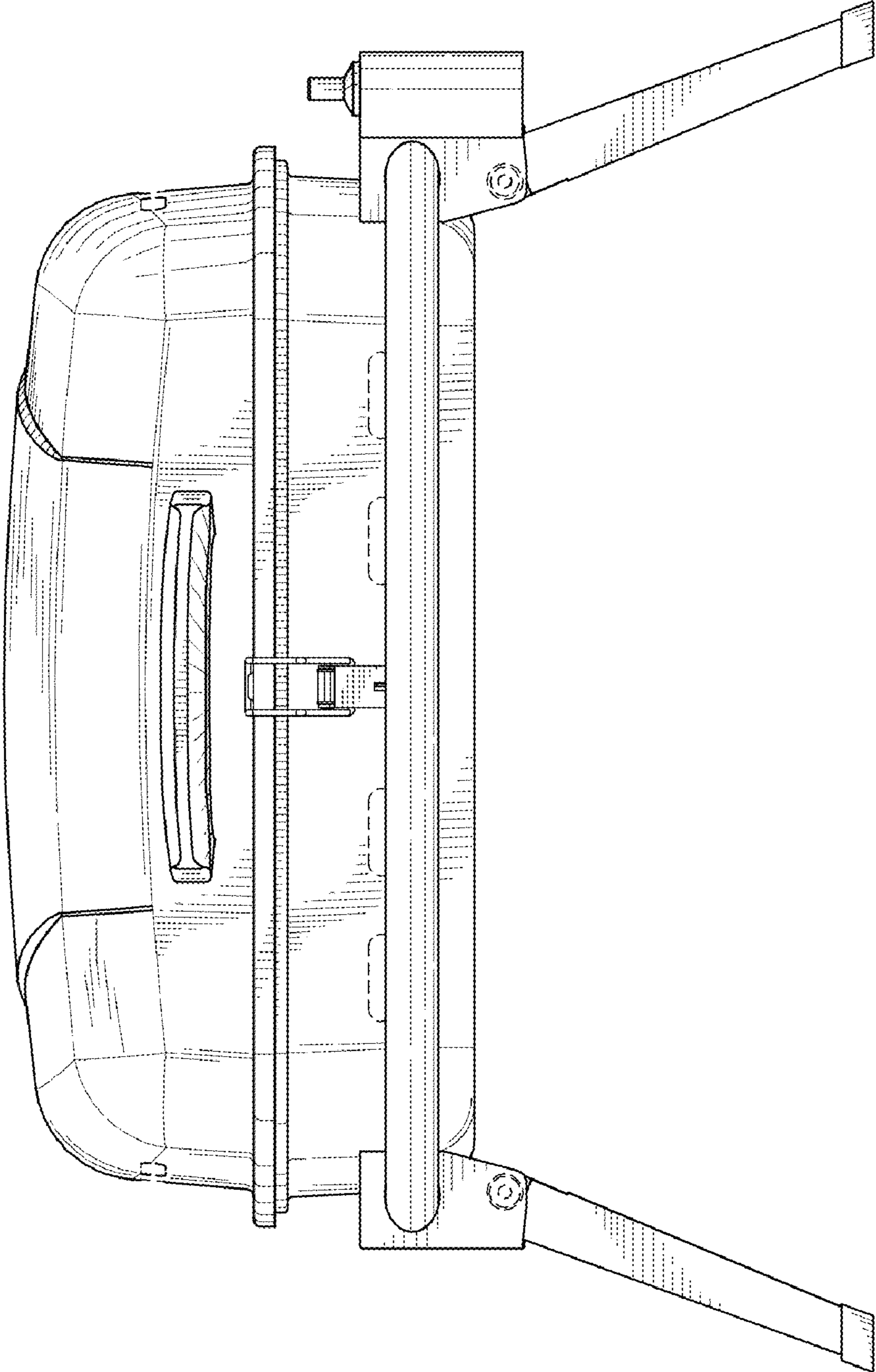


FIG. 2

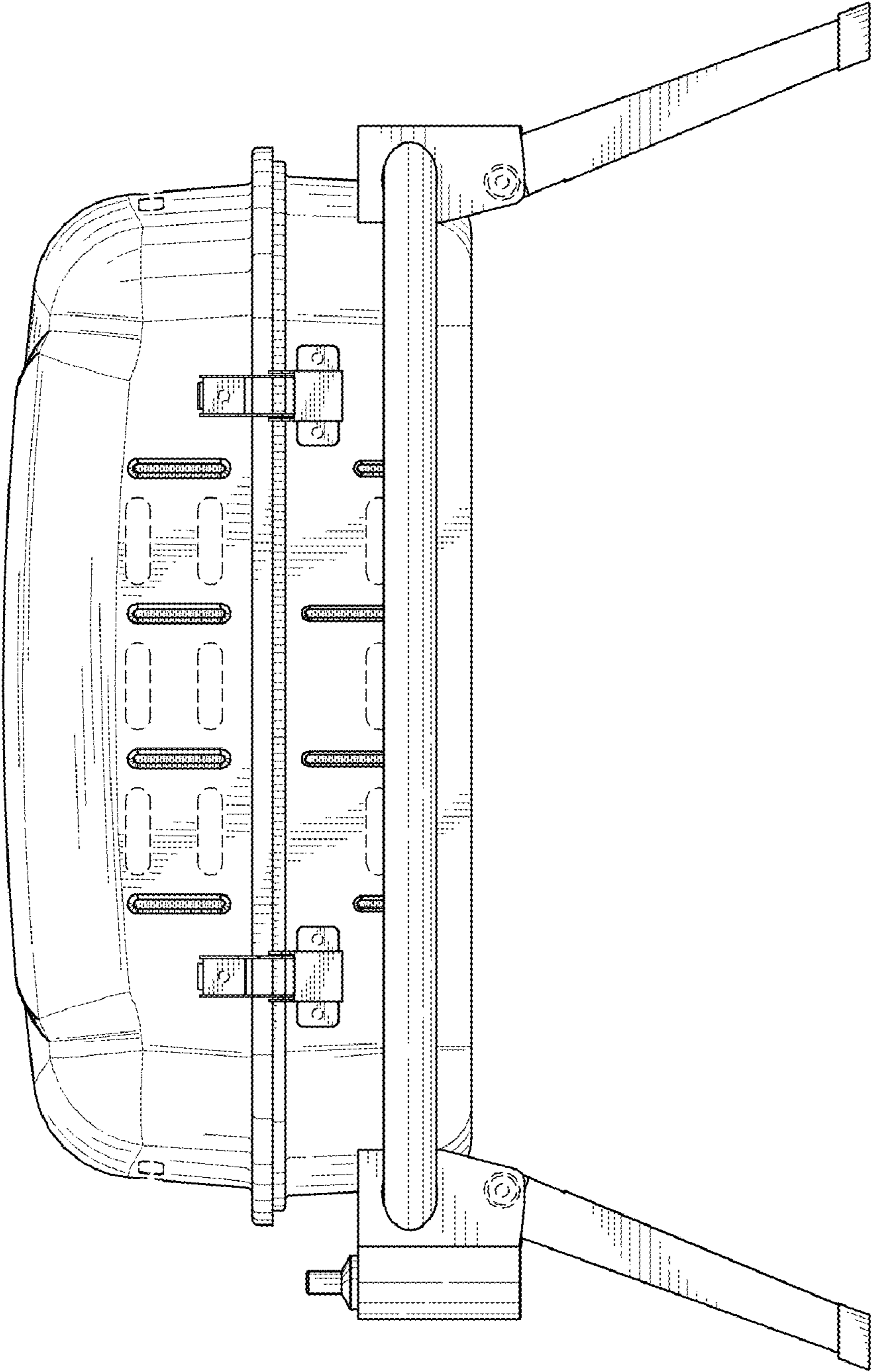


FIG. 3

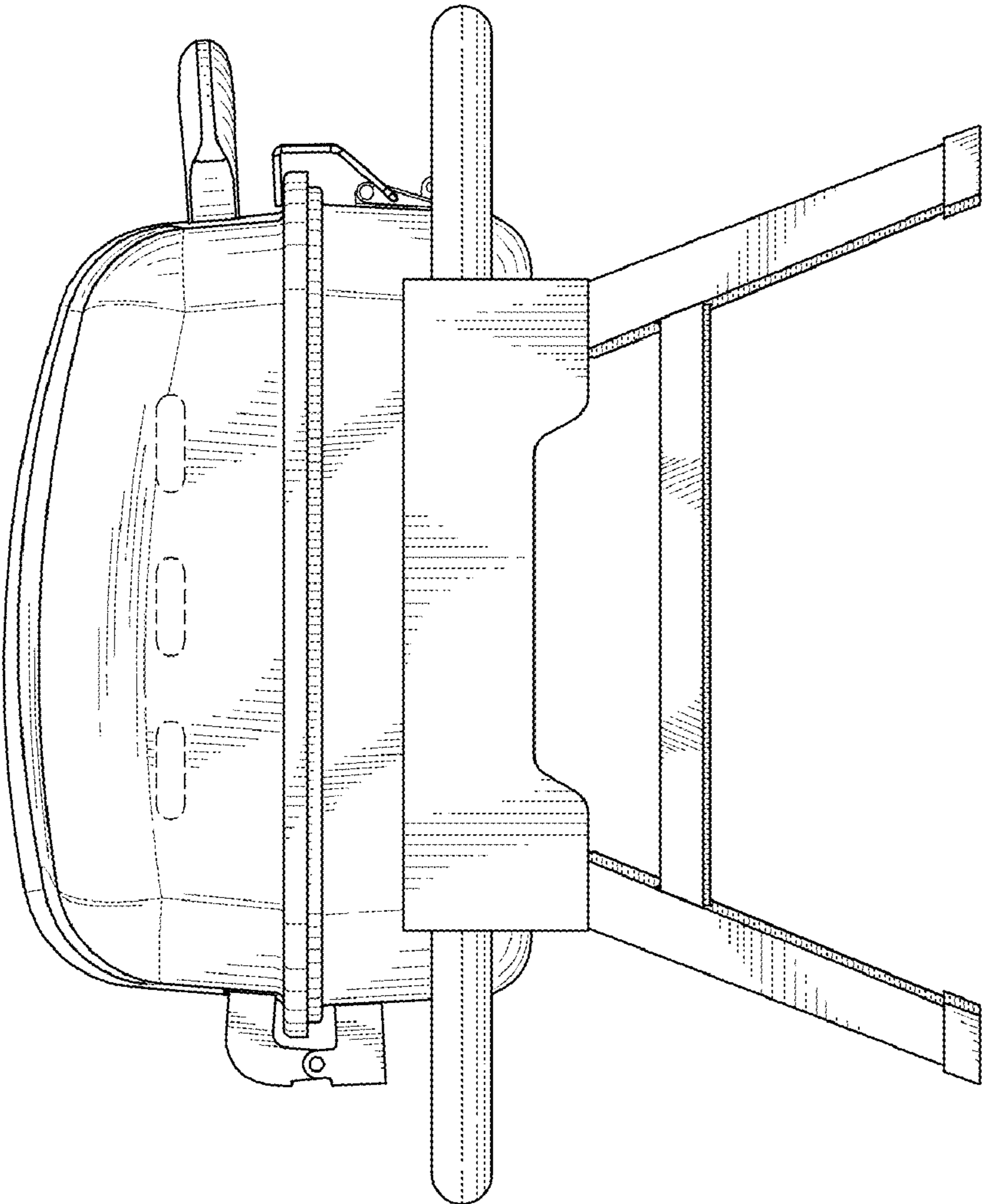


FIG. 4

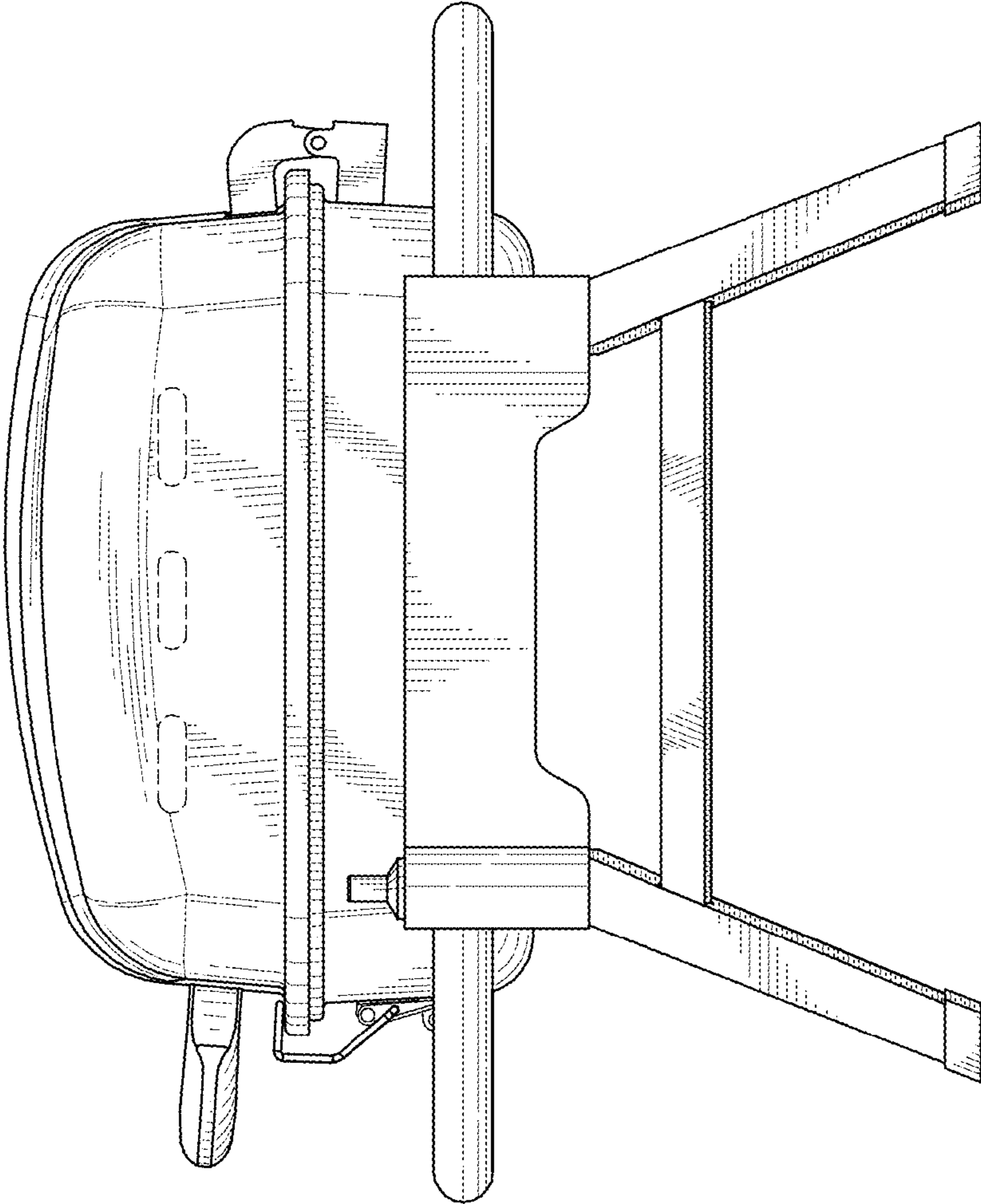


FIG. 5

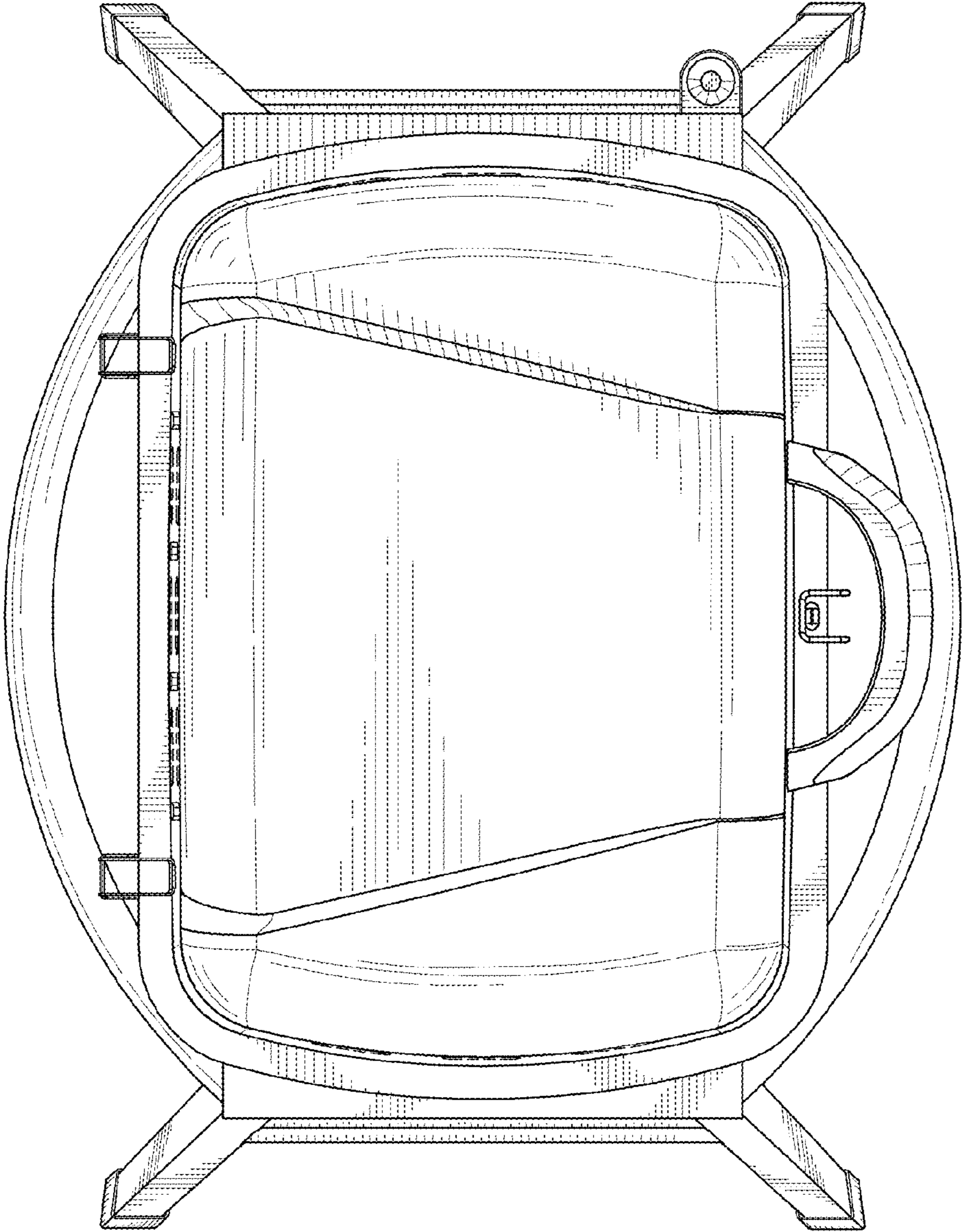


FIG. 6

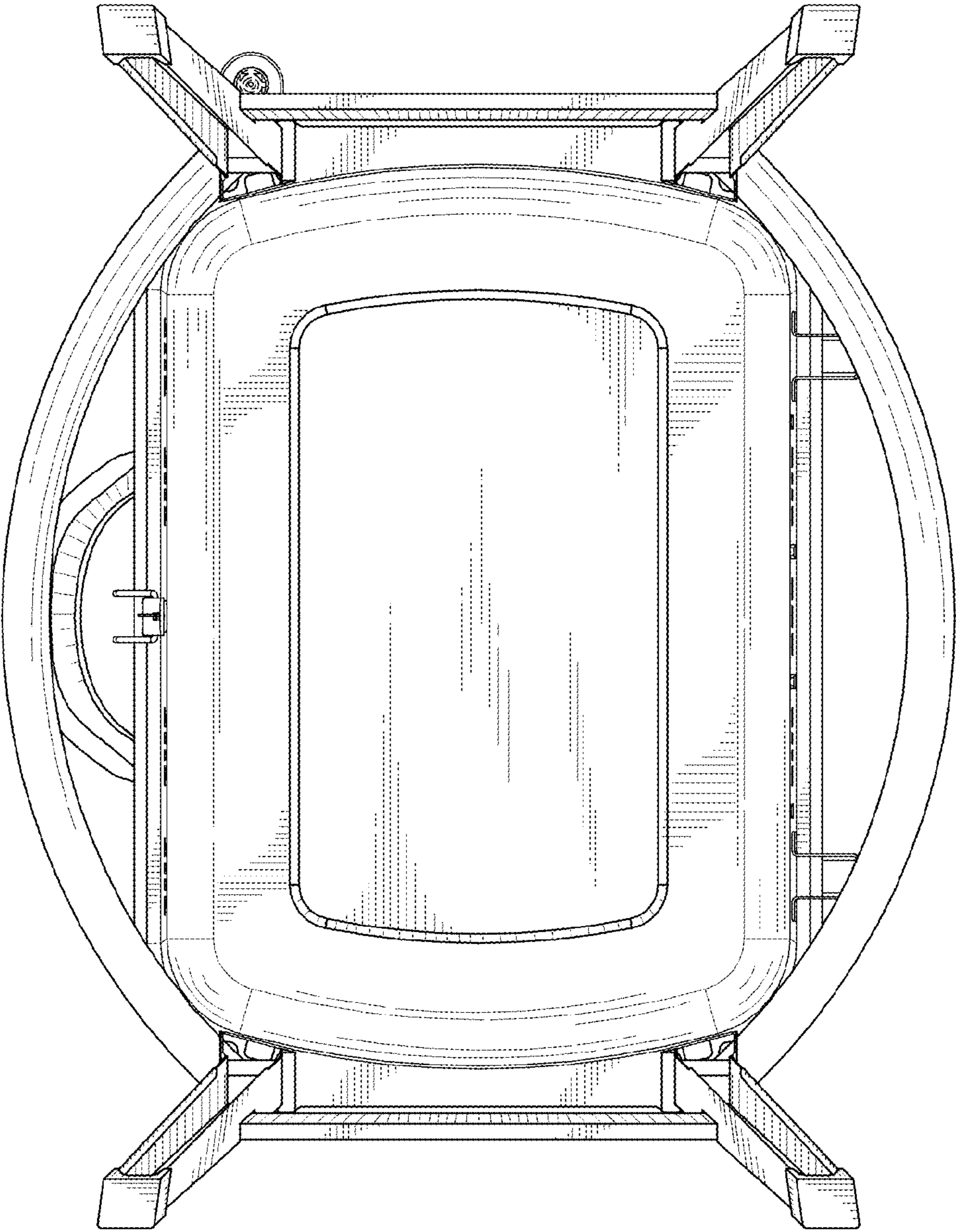


FIG. 7