



US00D677109S

(12) **United States Design Patent**  
**Chung**

(10) **Patent No.:** **US D677,109 S**  
(45) **Date of Patent:** **\*\* Mar. 5, 2013**

(54) **BARBECUE GRILL**

(76) Inventor: **Kiosky Chung**, Taichung (TW)

(\*\*) Term: **14 Years**

(21) Appl. No.: **29/429,929**

(22) Filed: **Aug. 19, 2012**

(51) **LOC (9) Cl.** ..... **07-02**

(52) **U.S. Cl.** ..... **D7/337**

(58) **Field of Classification Search** ..... D7/332,  
D7/334, 337, 402-404, 408-409, 354-355,  
D7/359; 126/27, 44, 25 R, 41 R, 9 R, 40,  
126/50, 38, 39 H, 39 N, 39 K, 39 M; 99/425,  
99/444-447, 450, 482

See application file for complete search history.

(56) **References Cited**

**U.S. PATENT DOCUMENTS**

D282,619 S *	2/1986	Fitzgerald et al.	.....	D7/332
D415,925 S *	11/1999	Pai	.....	D7/337
D455,598 S *	4/2002	Pai	.....	D7/337
D461,360 S *	8/2002	Bossler	.....	D7/337
D464,844 S *	10/2002	Pai	.....	D7/337
6,557,546 B1 *	5/2003	Gibbons	.....	126/41 R

D498,113 S *	11/2004	Zhang	.....	D7/332
D503,868 S *	4/2005	Pai	.....	D7/337
D504,275 S *	4/2005	Pai	.....	D7/337
D512,871 S *	12/2005	Chung	.....	D7/332

\* cited by examiner

*Primary Examiner* — Ruth McInroy

(57) **CLAIM**

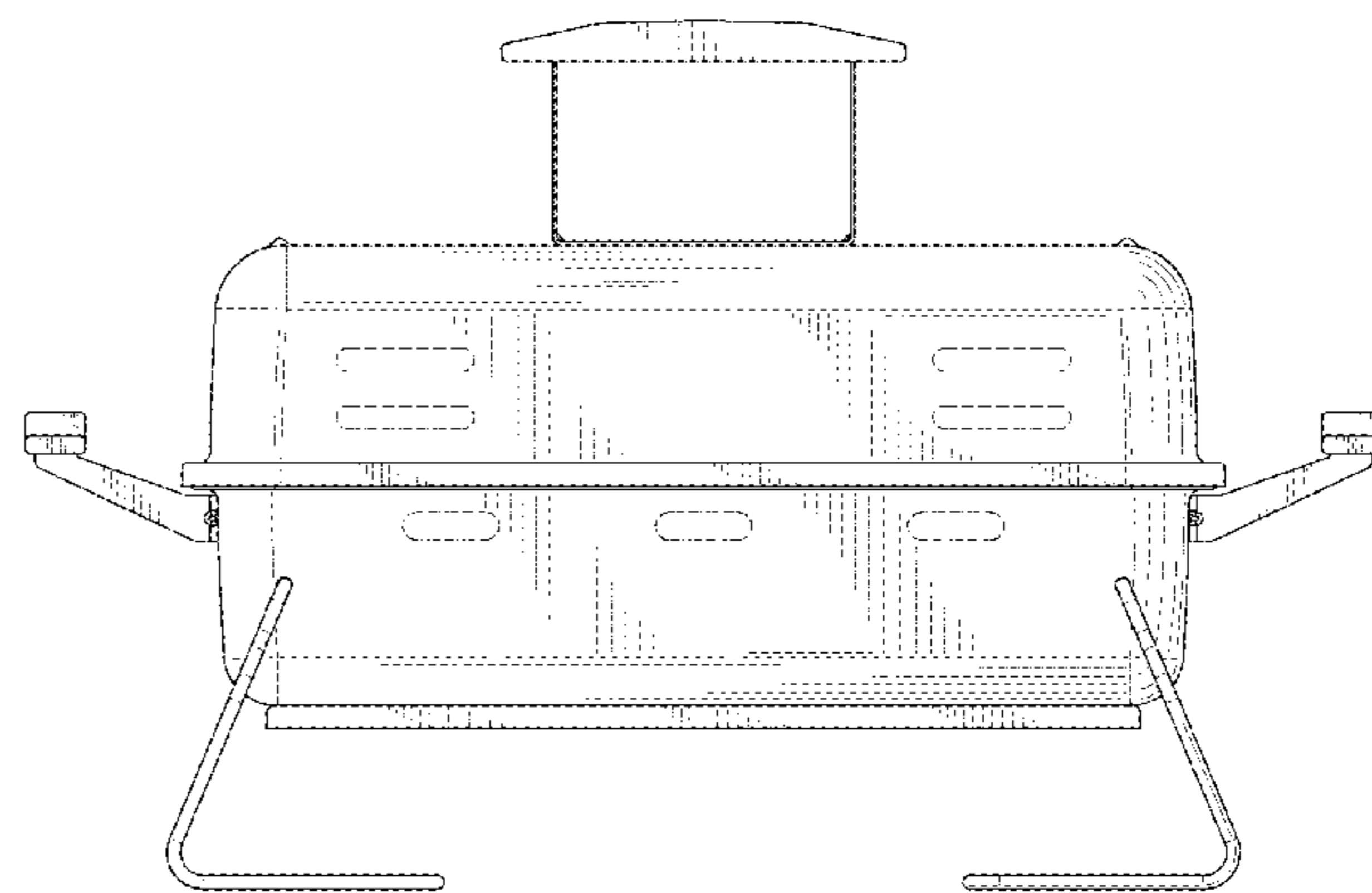
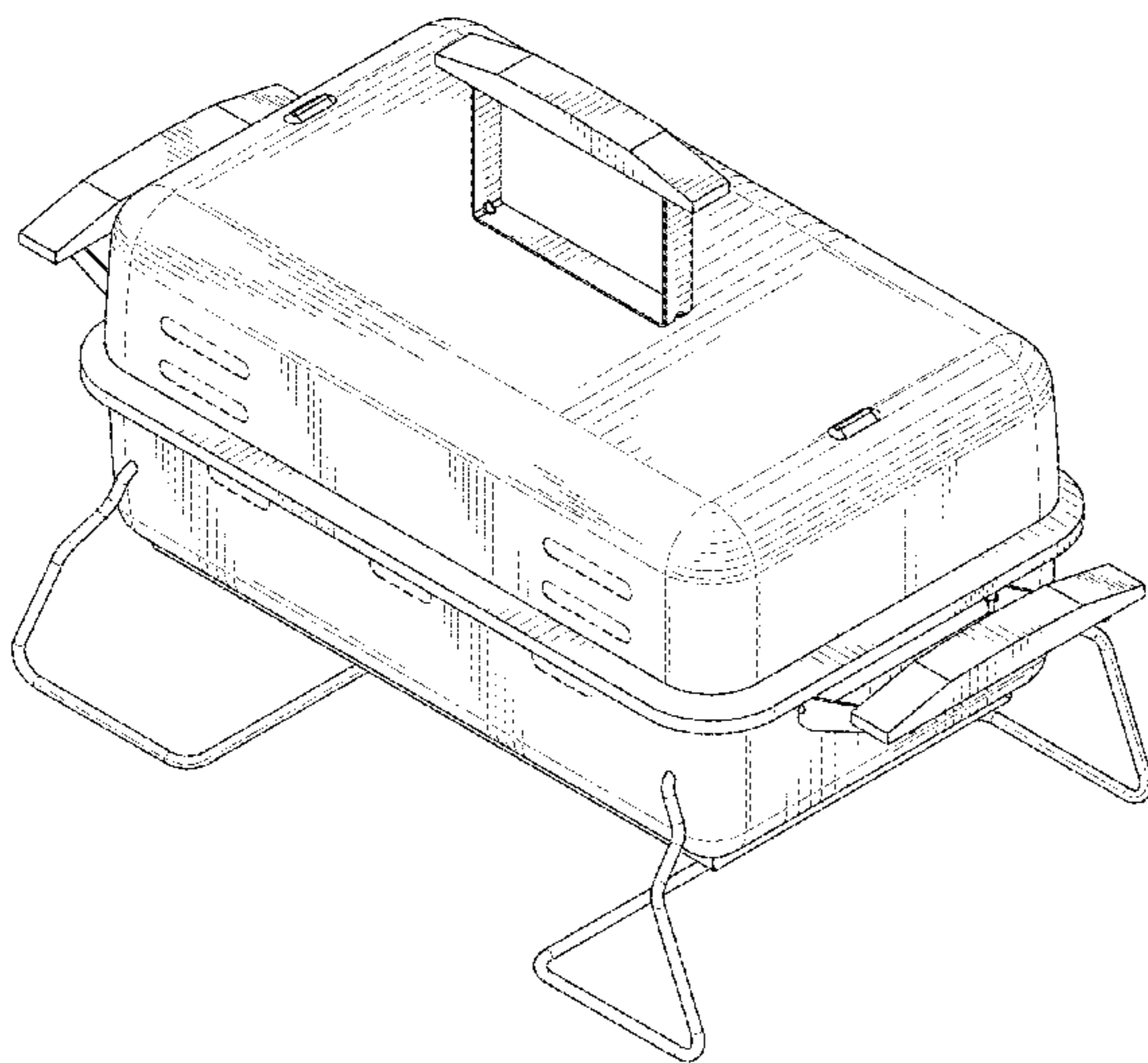
I claim the ornamental design for a barbecue grill, as shown and described.

**DESCRIPTION**

FIG. 1 is a perspective view of a barbecue grill, showing my new design;  
FIG. 2 is a front elevational view thereof;  
FIG. 3 is a rear elevational view thereof;  
FIG. 4 is a left side elevational view thereof;  
FIG. 5 is a right side elevational view thereof;  
FIG. 6 is a top plan view thereof; and,  
FIG. 7 is a bottom plan view thereof.

The broken lines shown in the drawings are for the purpose of illustrating unclaimed portions of the barbecue grill and form no part of the claimed design.

**1 Claim, 7 Drawing Sheets**



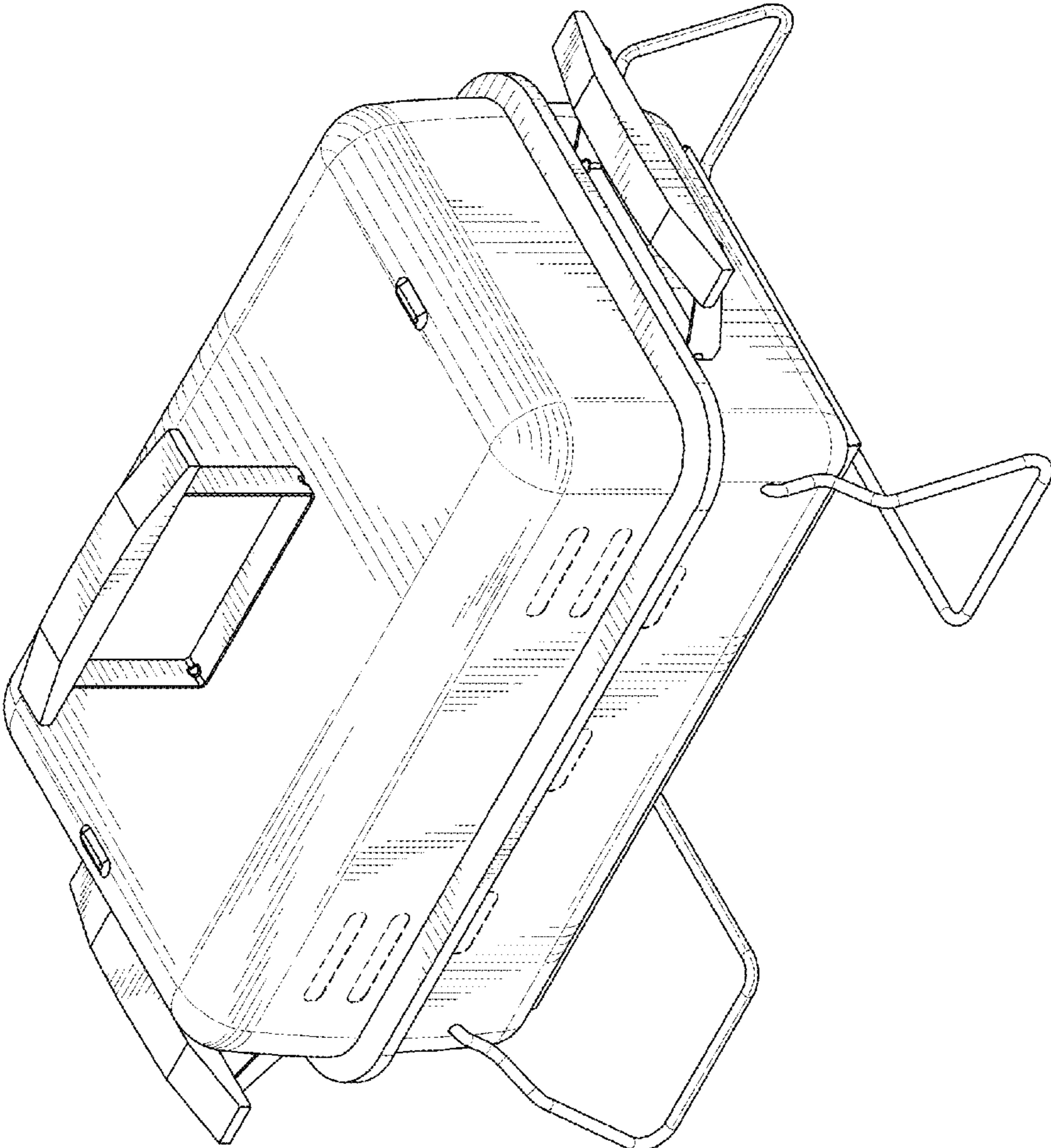


FIG. 1

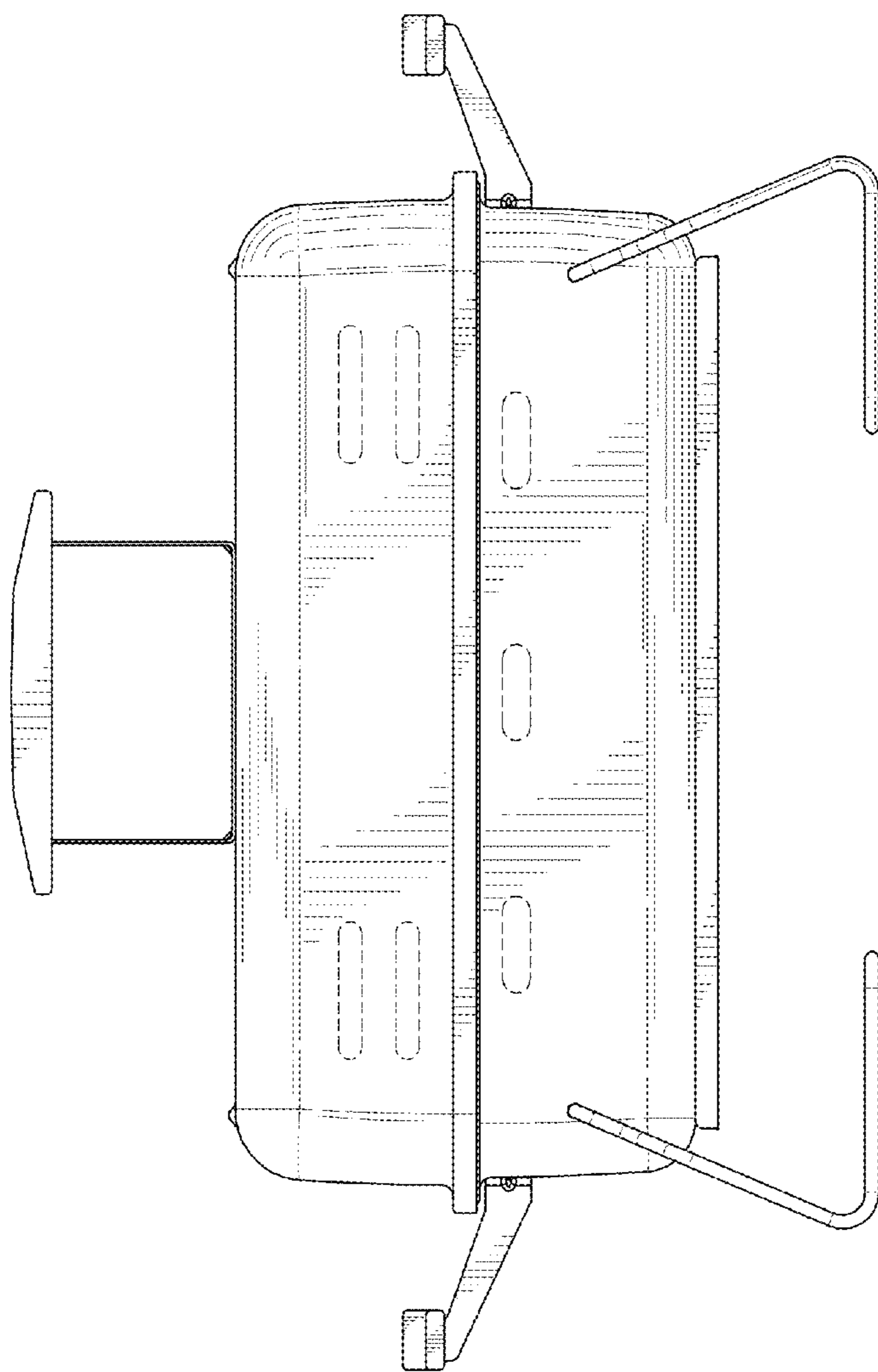


FIG. 2

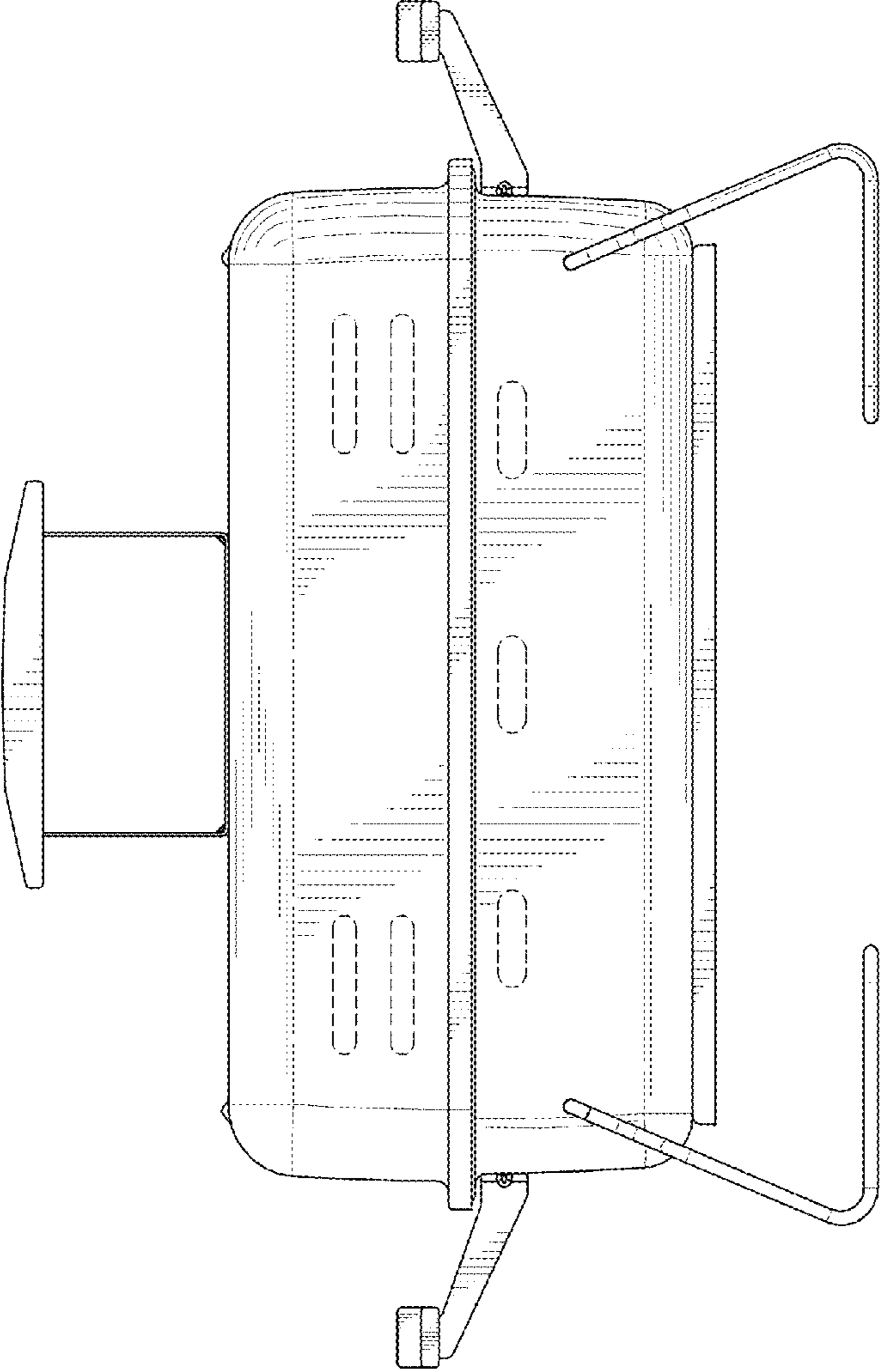


FIG. 3

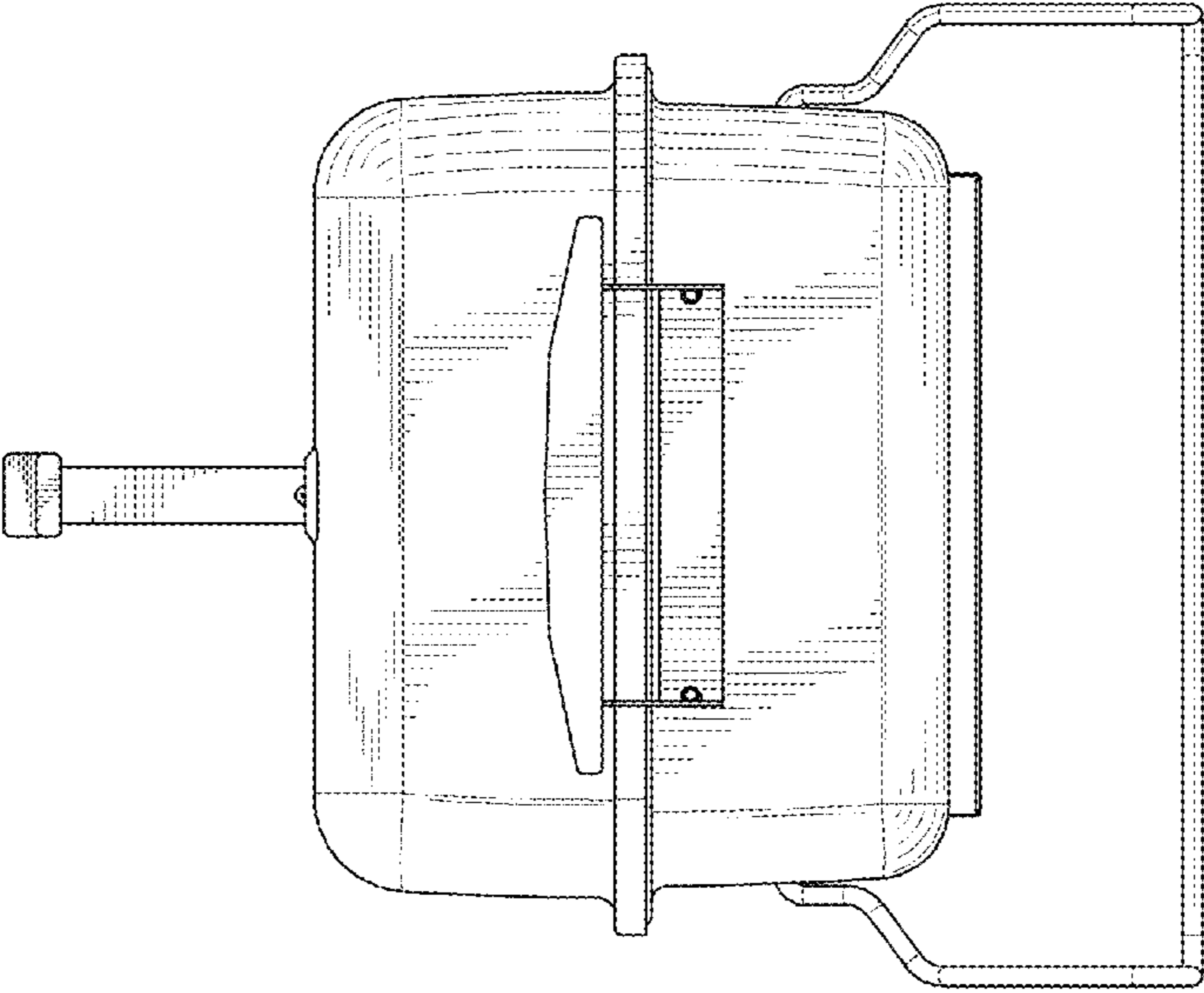


FIG. 4

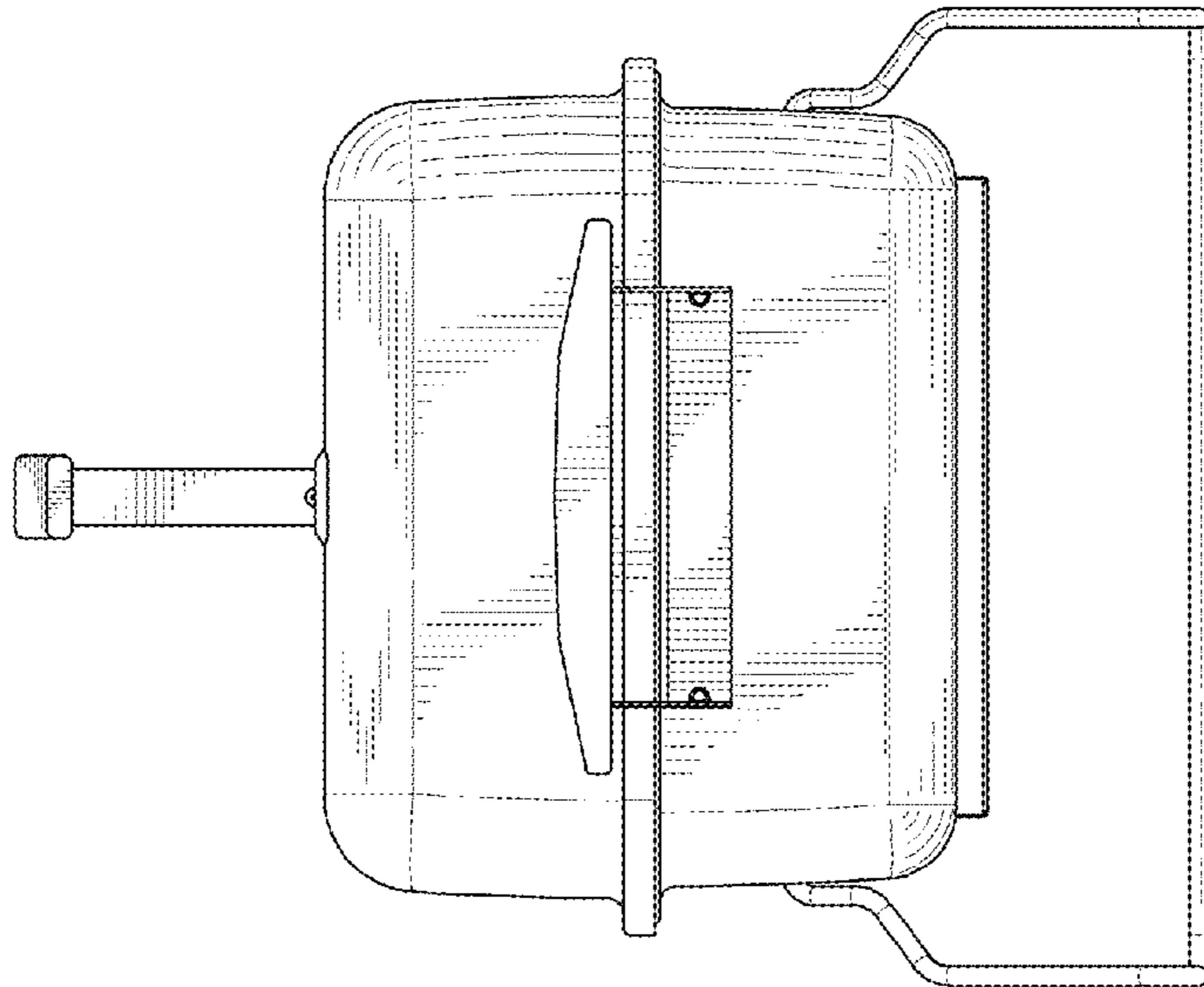


FIG. 5

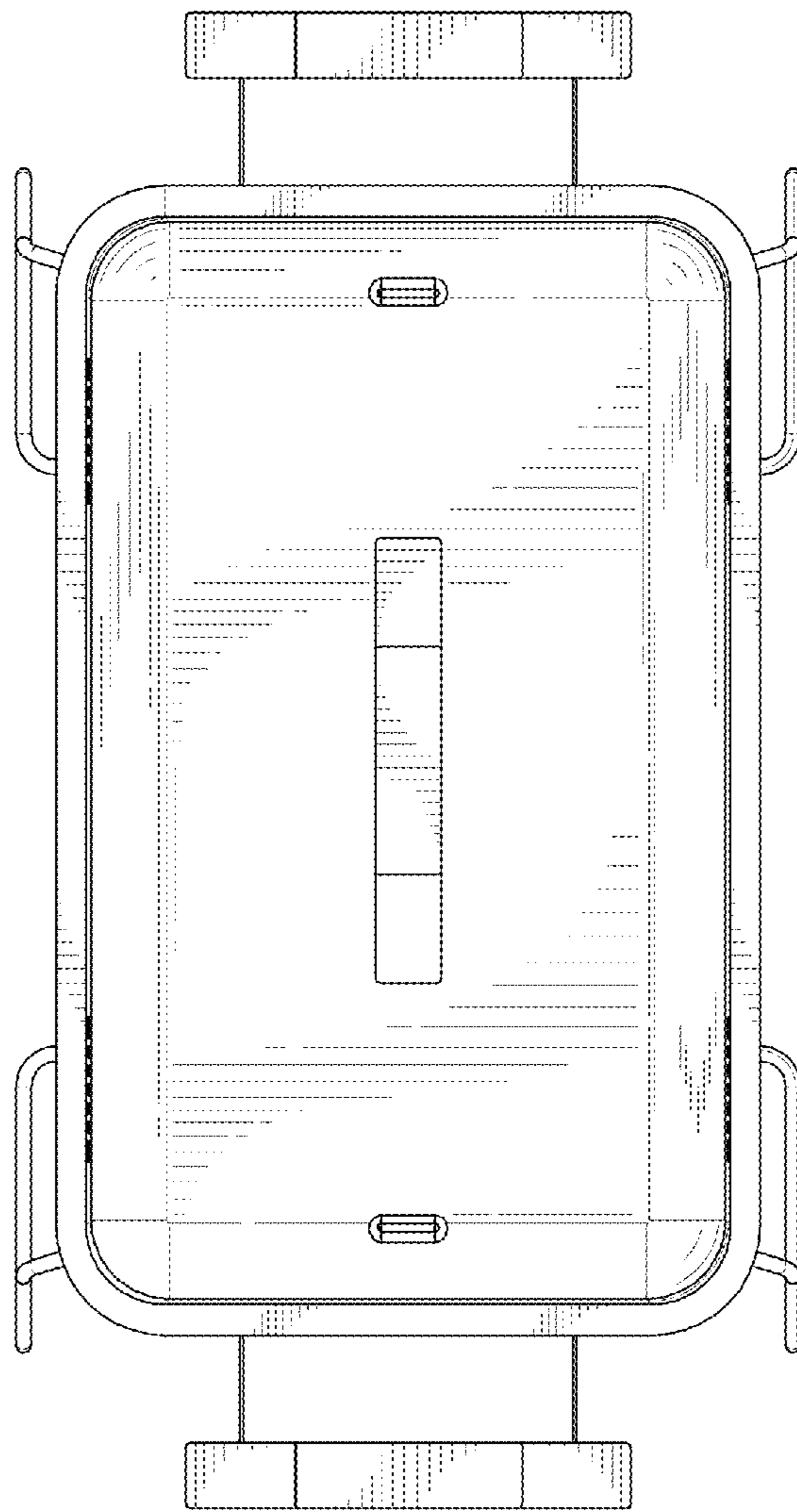


FIG. 6

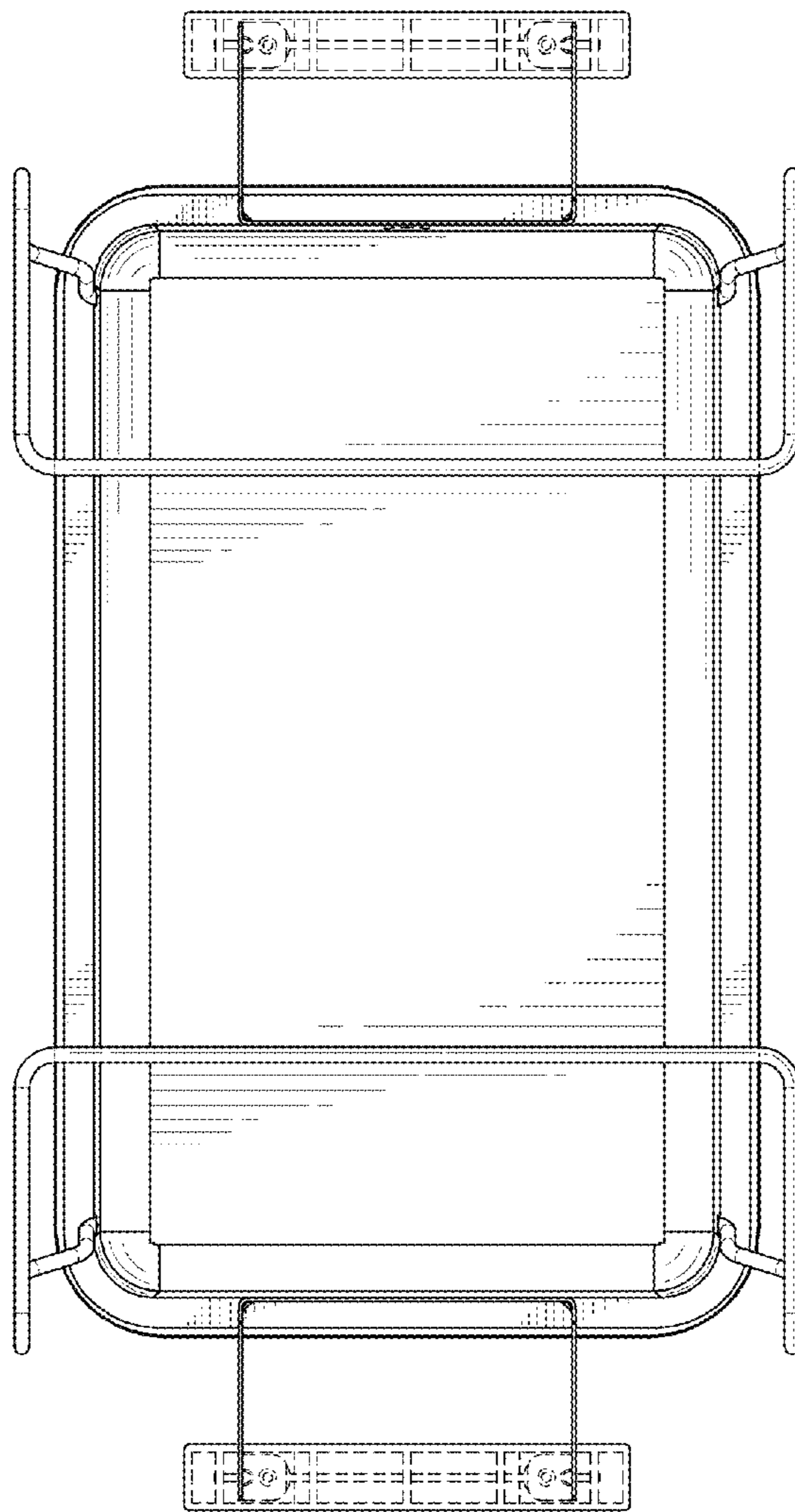


FIG. 7