



US00D677108S

(12) **United States Design Patent**  
**Chung**

(10) **Patent No.:** **US D677,108 S**  
(45) **Date of Patent:** **\*\* Mar. 5, 2013**

- (54) **BARBECUE GRILL**
  - (76) Inventor: **Kiosky Chung**, Taichung (TW)
  - (\*\*) Term: **14 Years**
  - (21) Appl. No.: **29/406,748**
  - (22) Filed: **Nov. 18, 2011**
  - (51) **LOC (9) Cl.** ..... **07-02**
  - (52) **U.S. Cl.** ..... **D7/337**
  - (58) **Field of Classification Search** ..... D7/332,  
D7/334, 337, 402-404, 408-409, 354-355,  
D7/359; 126/27, 44, 25 R, 41 R, 9 R, 40,  
126/50, 38, 39 H, 39 N, 39 K, 39 M; 99/425,  
99/444-447, 450, 482
- See application file for complete search history.

- (56) **References Cited**
- U.S. PATENT DOCUMENTS**
- D464,844 S \* 10/2002 Pai ..... D7/337
- 6,557,546 B1 \* 5/2003 Gibbons ..... 126/41 R
- D511,433 S \* 11/2005 Zhang ..... D7/337
- D549,038 S \* 8/2007 Chung ..... D7/337
- D600,969 S \* 9/2009 Chung ..... D7/337

D600,970 S *	9/2009	Chung	.....	D7/337
D610,861 S *	3/2010	Chung	.....	D7/337
D630,464 S *	1/2011	Chung	.....	D7/337
D630,465 S *	1/2011	Chung	.....	D7/337
D653,898 S *	2/2012	Chung	.....	D7/337
D653,899 S *	2/2012	Chung	.....	D7/337

\* cited by examiner

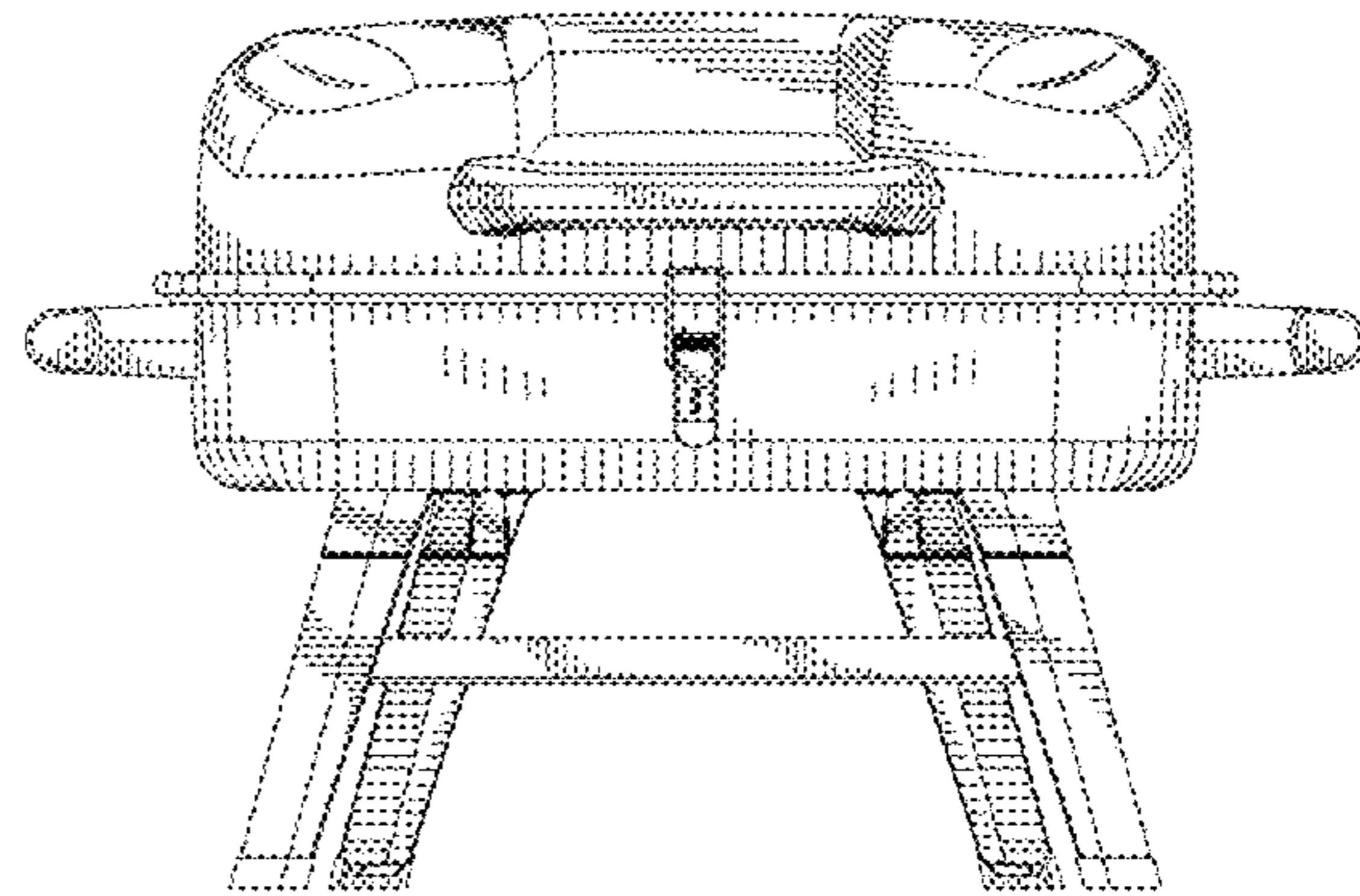
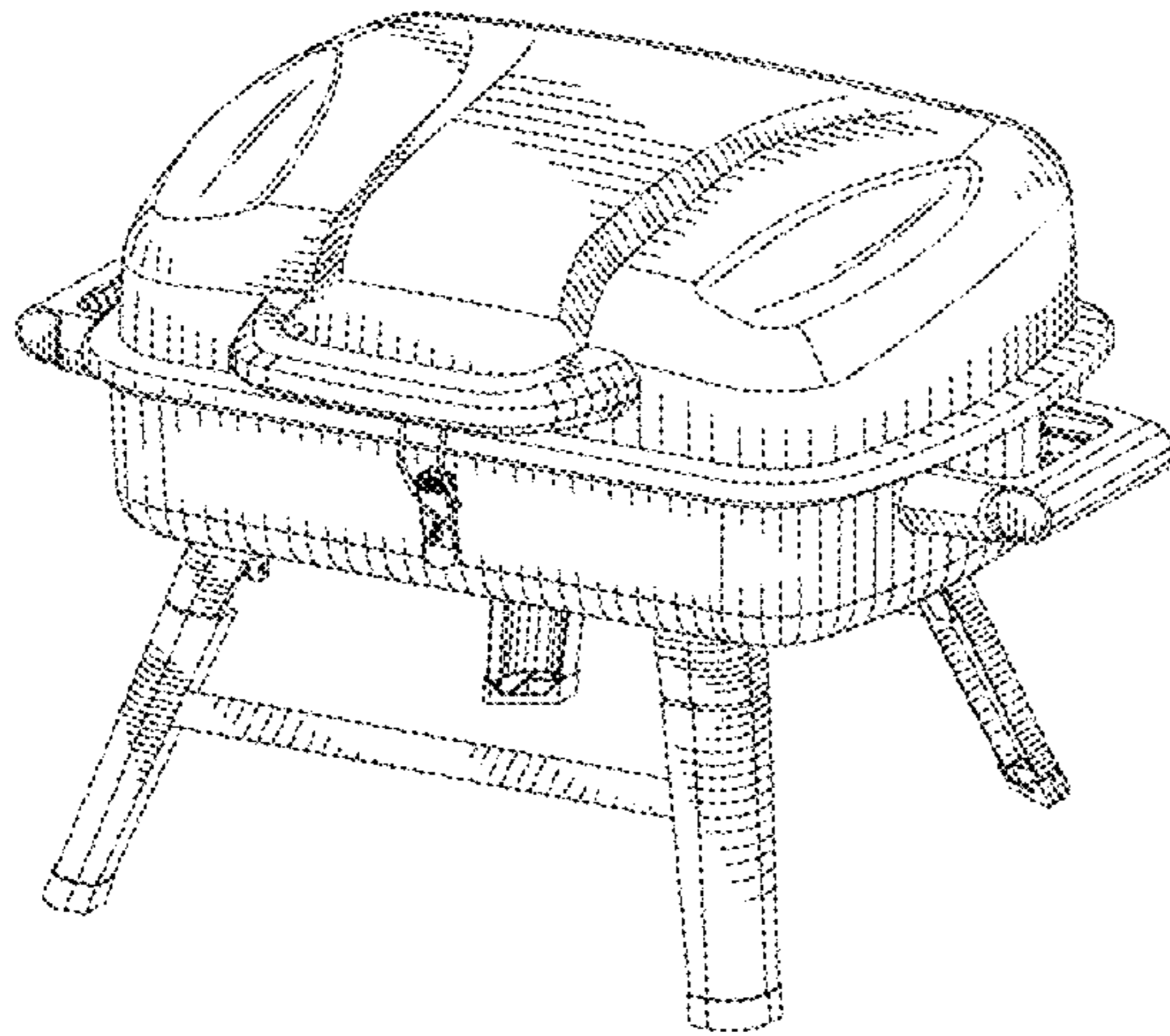
*Primary Examiner* — Ruth McInroy

(57) **CLAIM**  
I claim the ornamental design for a barbecue grill, as shown and described.

**DESCRIPTION**

FIG. 1 is a perspective view of a barbecue grill, showing my new design;  
 FIG. 2 is a front elevational view thereof;  
 FIG. 3 is a rear elevational view thereof;  
 FIG. 4 is a left side elevational view thereof;  
 FIG. 5 is a right side elevational view thereof;  
 FIG. 6 is a top plan view thereof; and,  
 FIG. 7 is a bottom plan view thereof.

**1 Claim, 7 Drawing Sheets**



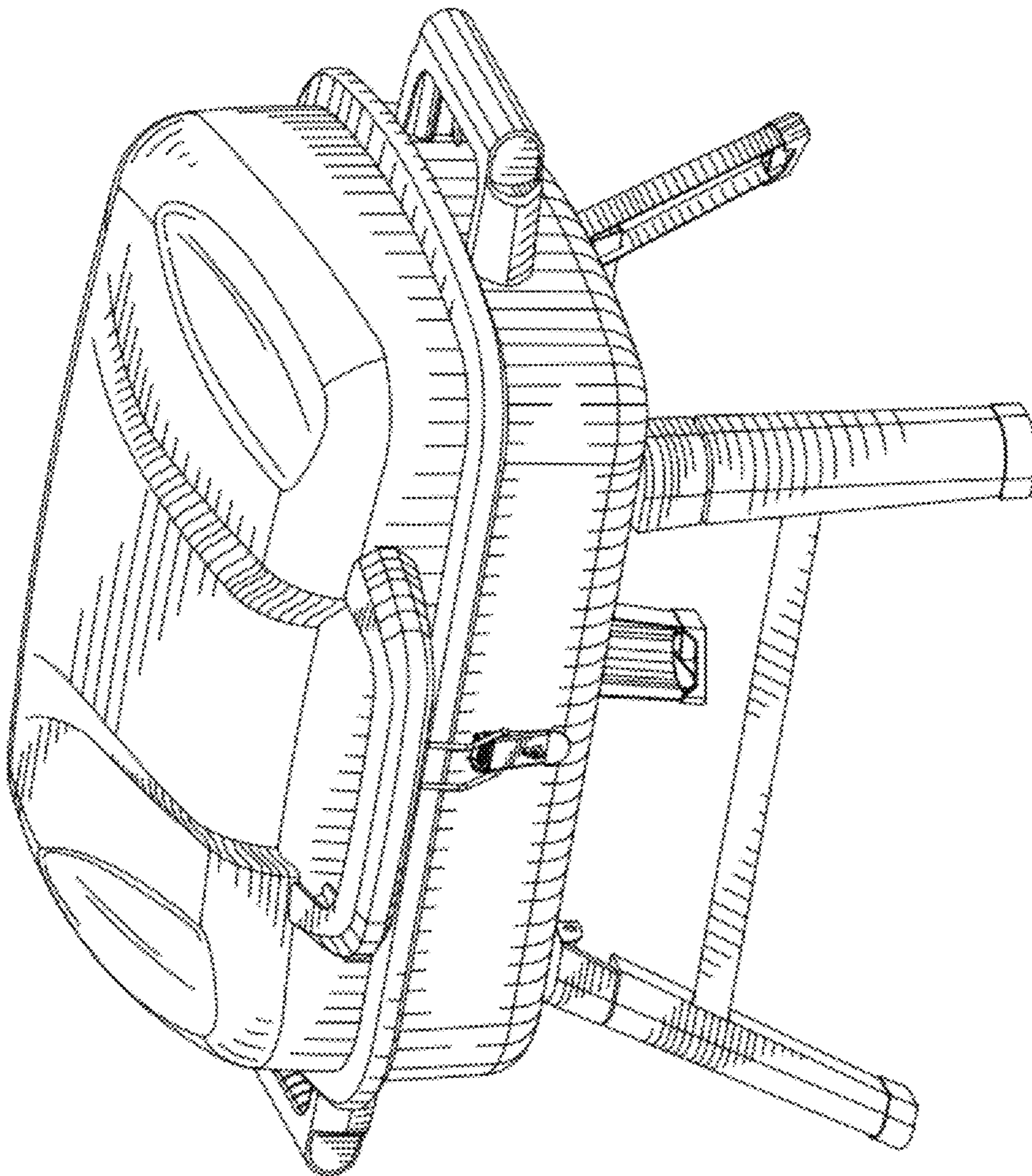


FIG. 1

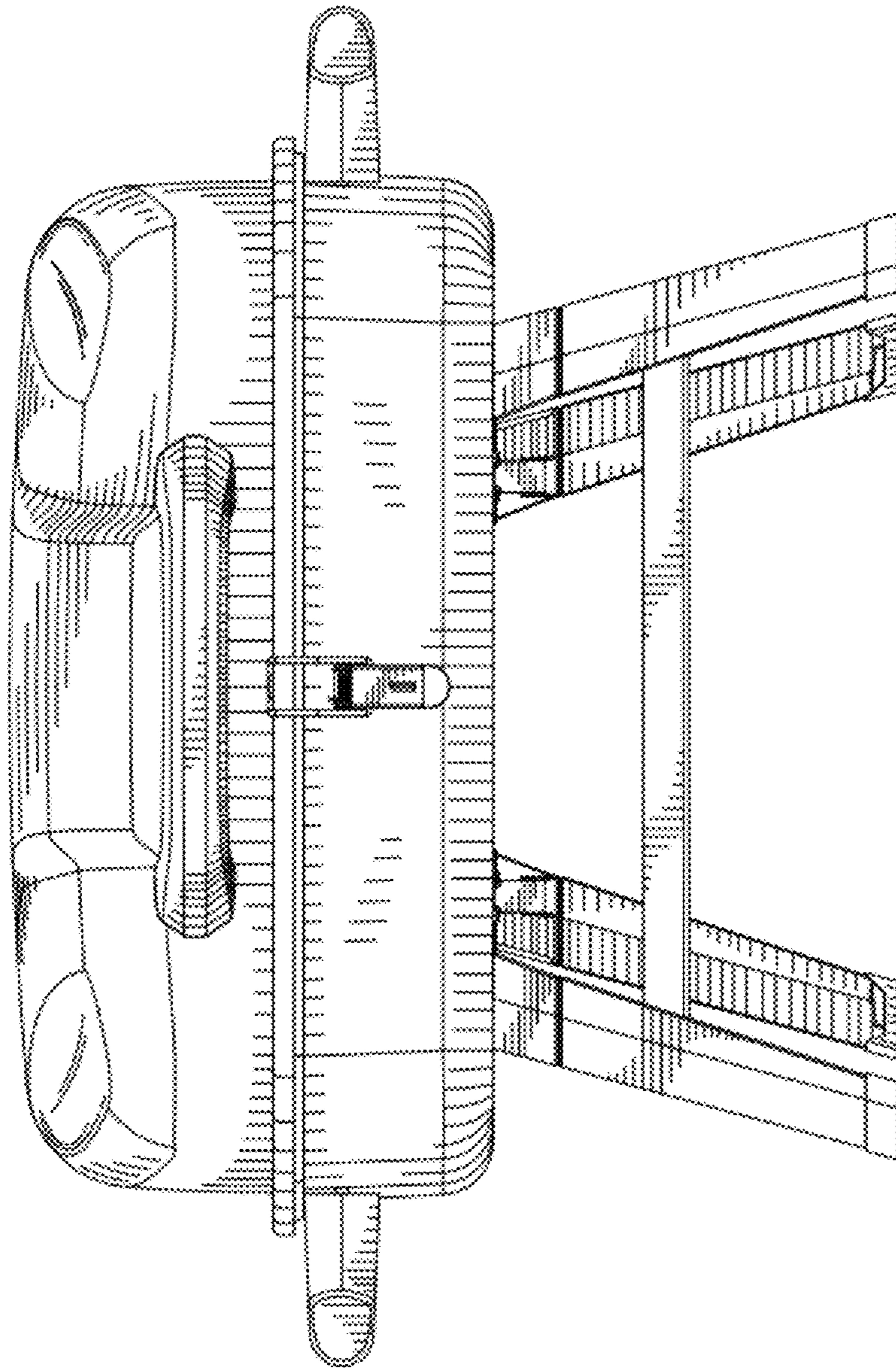


FIG. 2

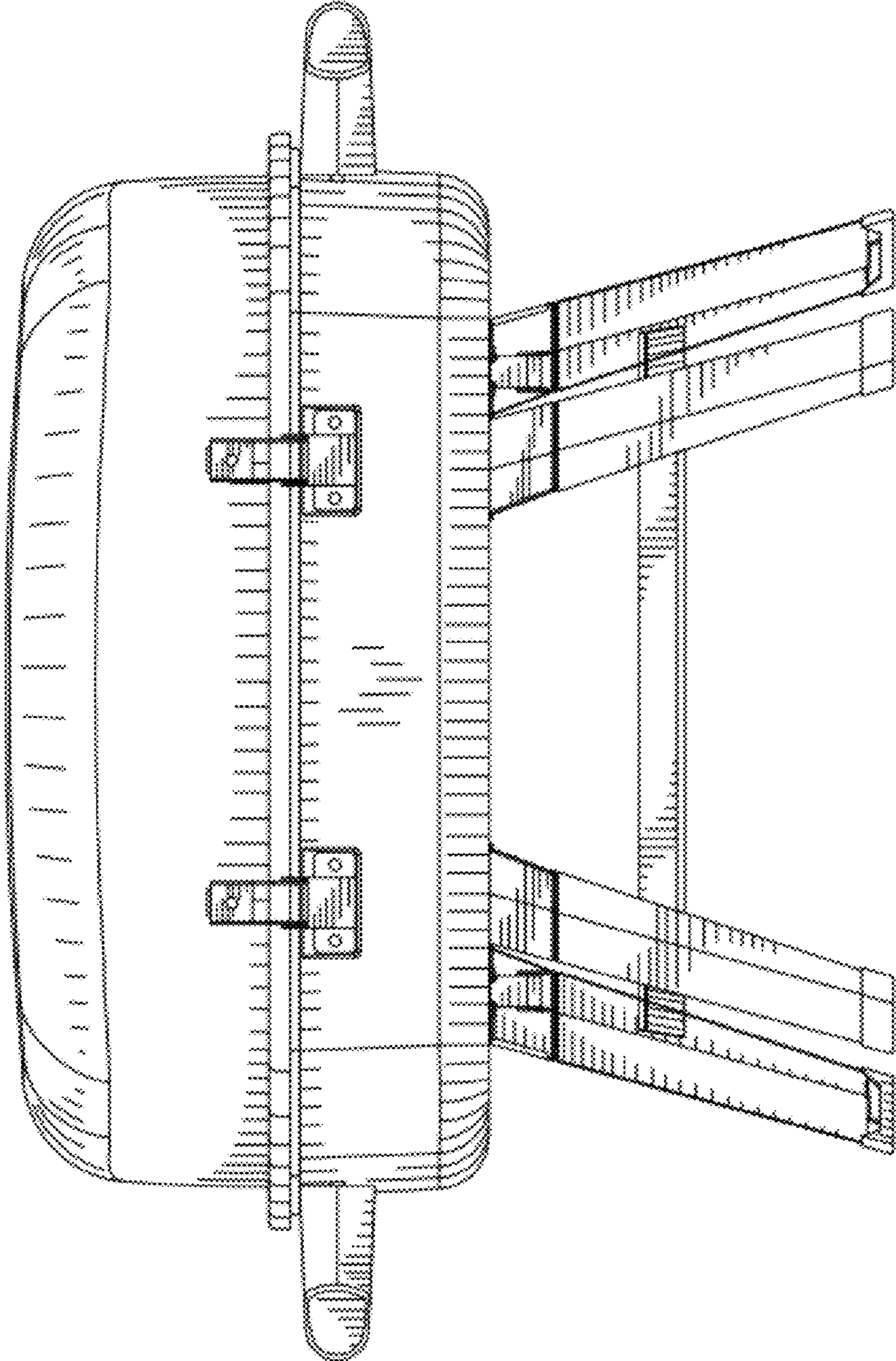


FIG. 3

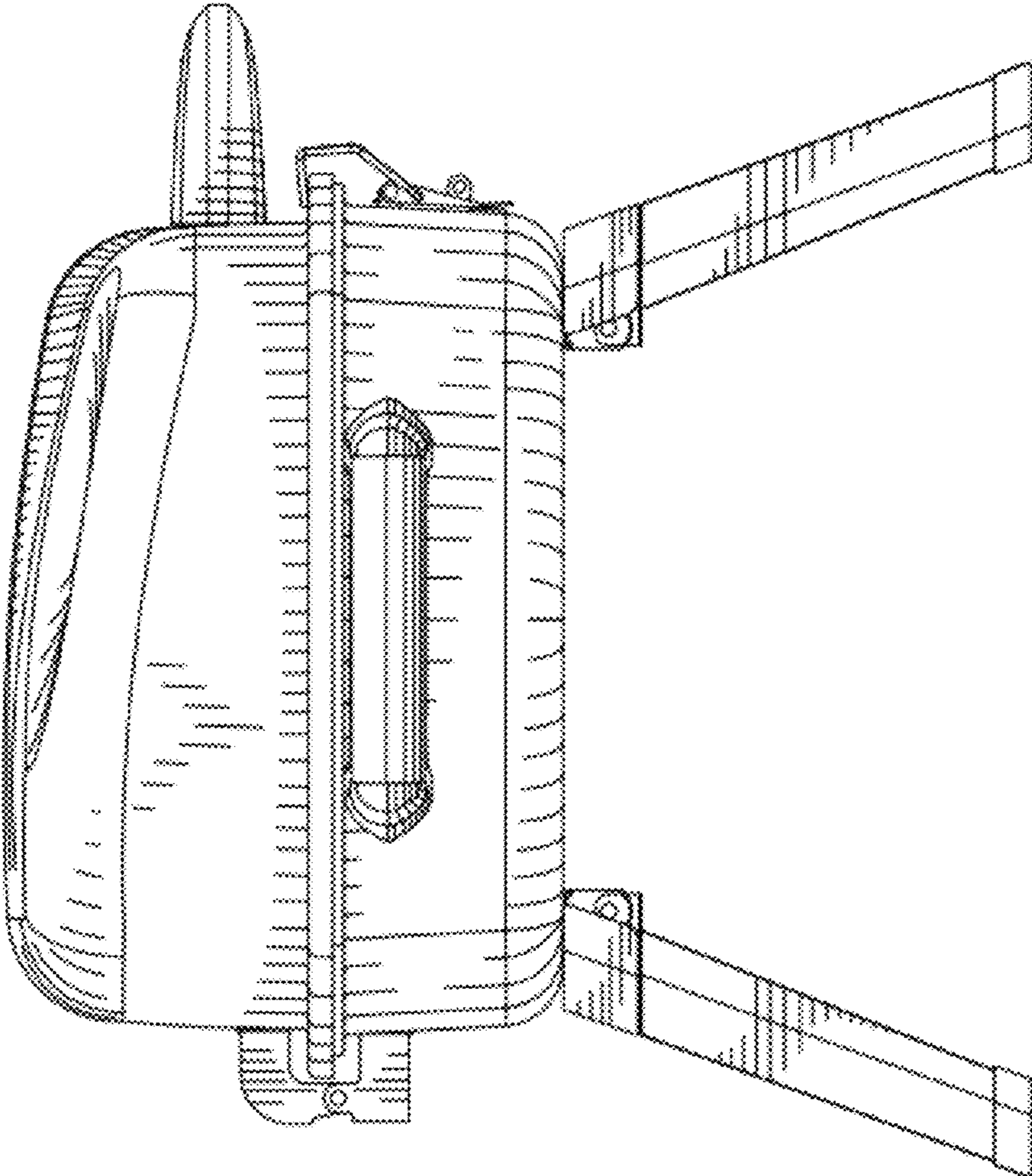


FIG. 4

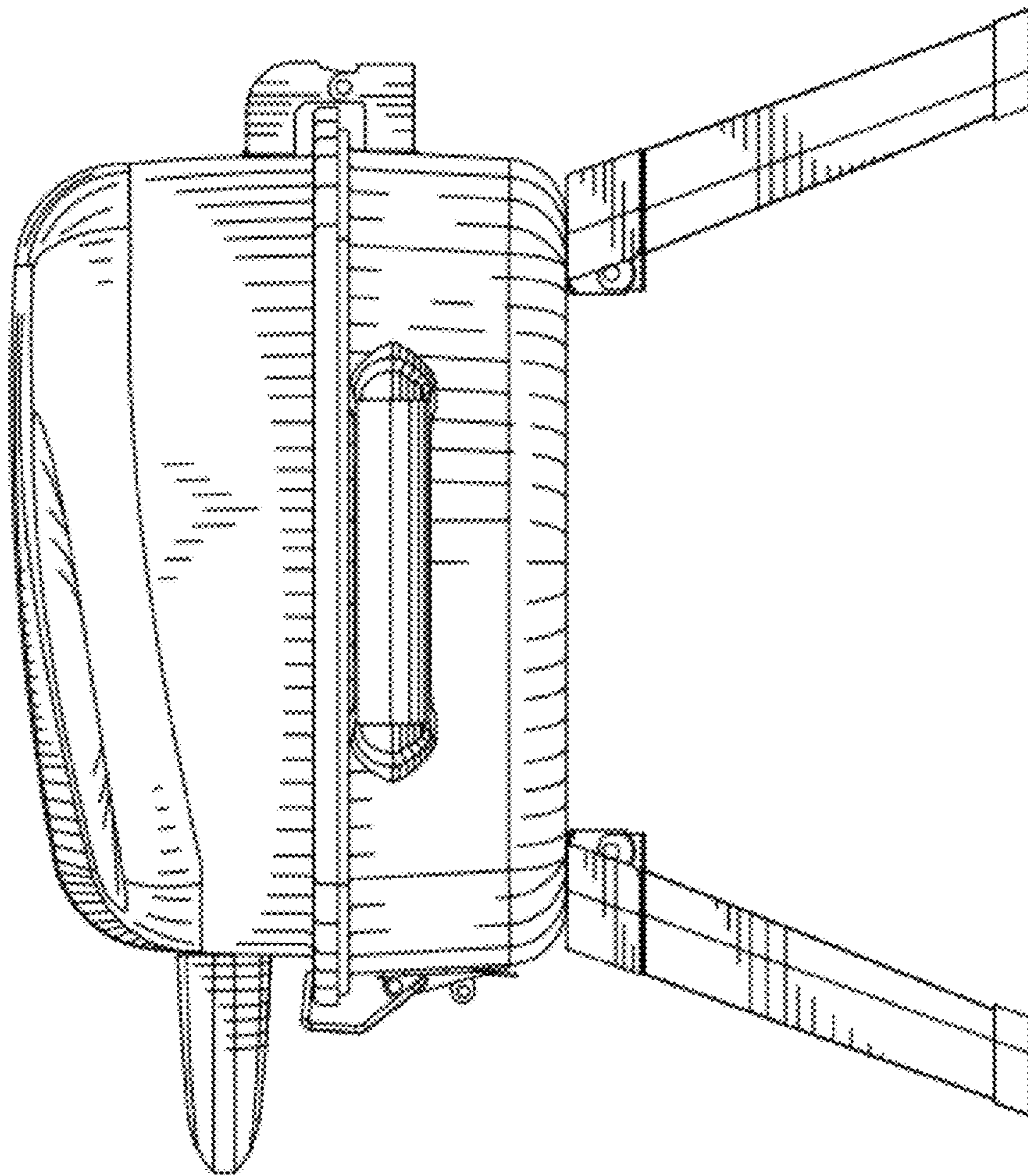


FIG. 5

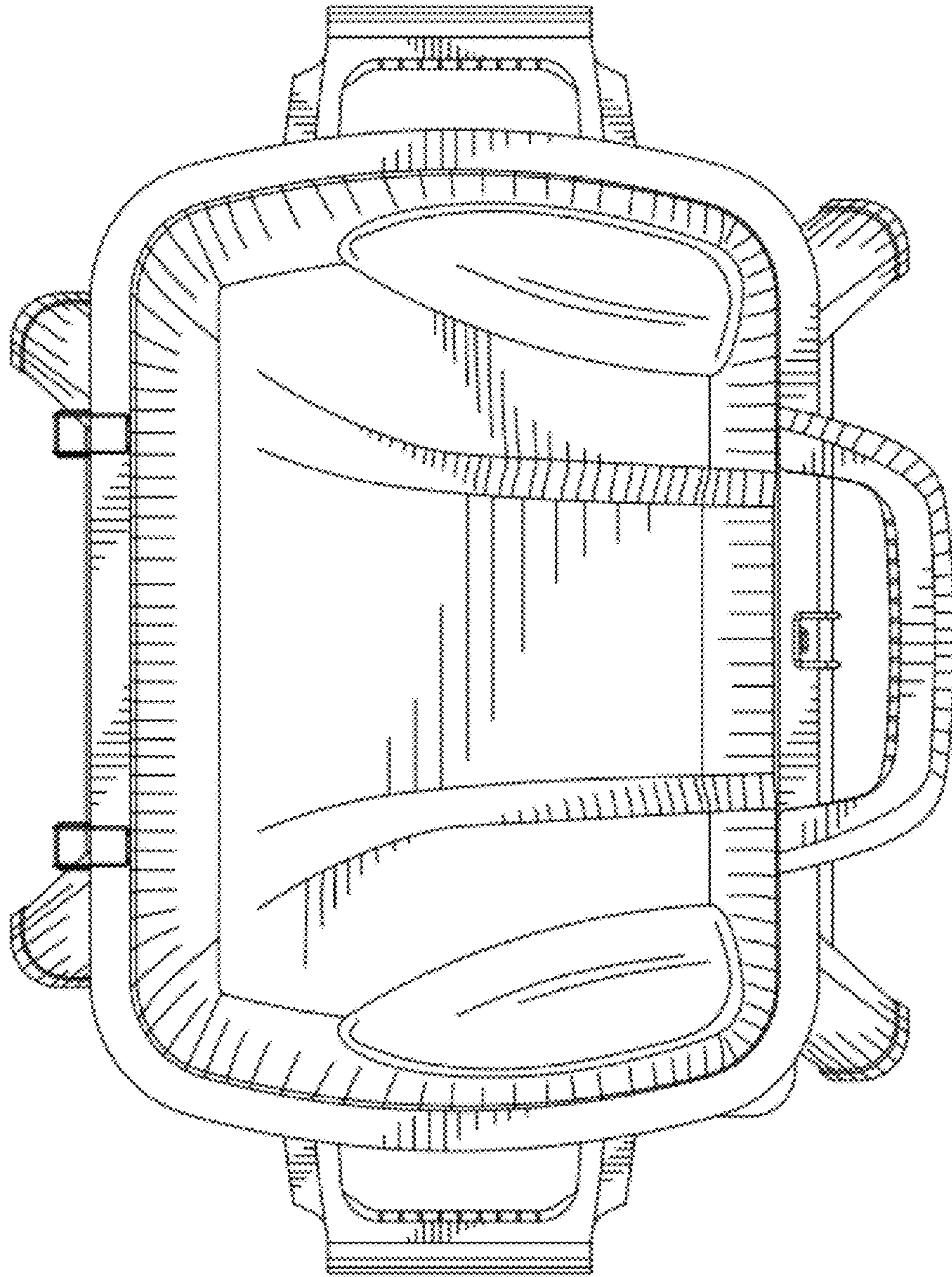


FIG. 6

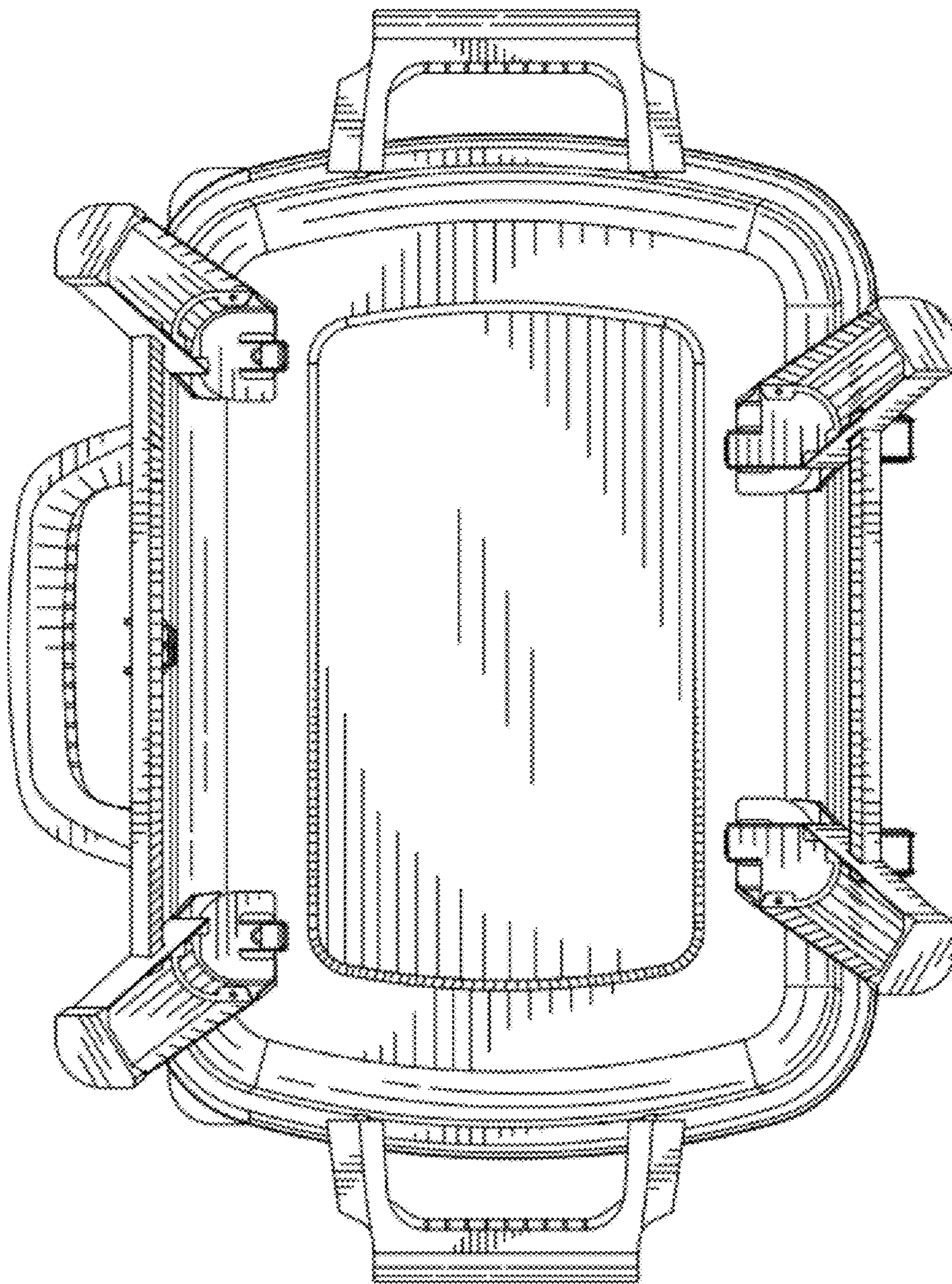


FIG. 7