



US00D677107S

(12) **United States Design Patent**
Chung

(10) **Patent No.:** **US D677,107 S**

(45) **Date of Patent:** **** Mar. 5, 2013**

(54) **BARBECUE GRILL**

(76) Inventor: **Kiosky Chung**, Taichung (TW)

(**) Term: **14 Years**

(21) Appl. No.: **29/402,393**

(22) Filed: **Sep. 22, 2011**

(51) **LOC (9) Cl.** **07-02**

(52) **U.S. Cl.** **D7/337**

(58) **Field of Classification Search** D7/332,
D7/334, 337, 402-404, 408-409, 354-355,
D7/359; 126/27, 44, 25 R, 41 R, 9 R, 40,
126/50, 38, 39 H, 39 N, 39 K, 39 M; 99/425,
99/444-447, 450, 482

See application file for complete search history.

(56) **References Cited**

U.S. PATENT DOCUMENTS

4,498,452	A	*	2/1985	Schlosser et al.	126/9 R
D284,929	S	*	8/1986	Schlosser et al.	D7/332
D376,510	S	*	12/1996	Ting	D7/332
D395,785	S	*	7/1998	Lin	D7/332
D420,546	S	*	2/2000	Pai	D7/332
D463,707	S	*	10/2002	Bossler	D7/332
D501,115	S	*	1/2005	Zhang	D7/332

D504,798	S	*	5/2005	Nipke et al.	D7/402
D508,364	S	*	8/2005	Nipke et al.	D7/334
D518,329	S	*	4/2006	Zhang	D7/337
D562,055	S	*	2/2008	Chung	D7/337

* cited by examiner

Primary Examiner — Ruth McInroy

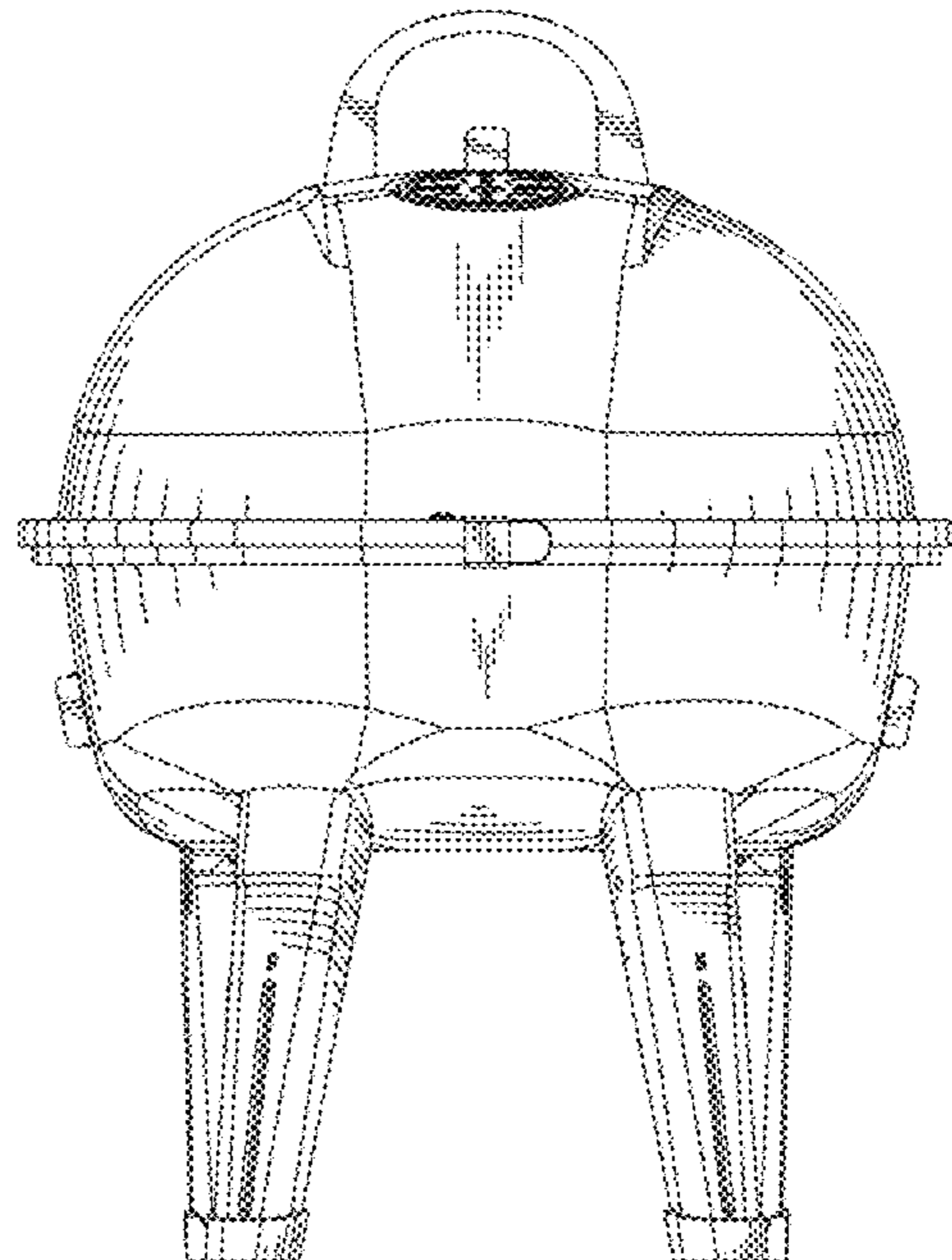
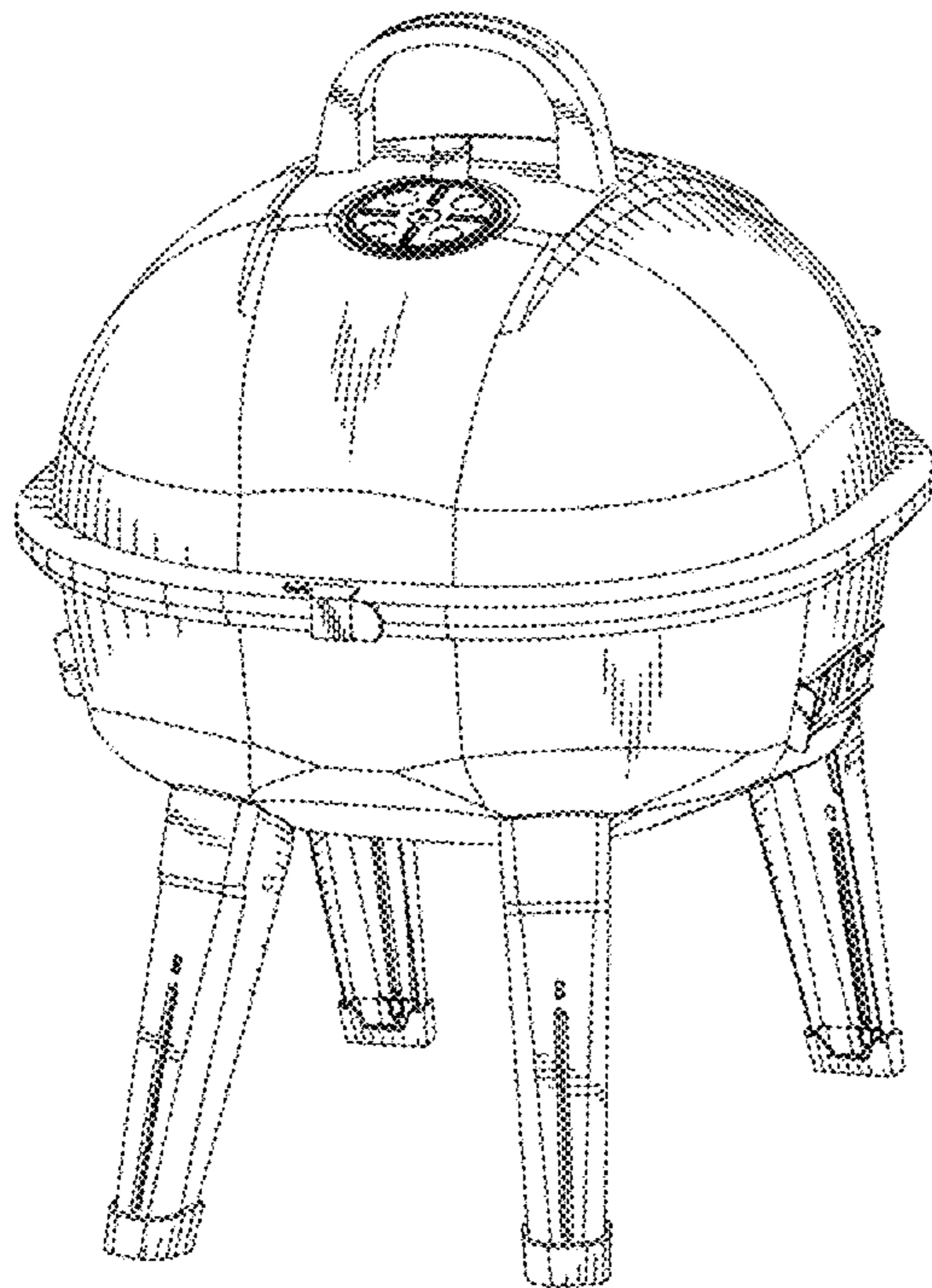
(57) **CLAIM**

I claim the ornamental design for a barbecue grill, as shown and described.

DESCRIPTION

FIG. 1 is a perspective view of a barbecue grill, showing my new design;
FIG. 2 is a front elevational view thereof;
FIG. 3 is a rear elevational view thereof;
FIG. 4 is a left side elevational view thereof;
FIG. 5 is a right side elevational view thereof;
FIG. 6 is a top plan view thereof; and
FIG. 7 is a bottom plan view thereof; and,
FIG. 8 is a perspective view thereof, illustrating the feet in their retracted positions.

1 Claim, 8 Drawing Sheets



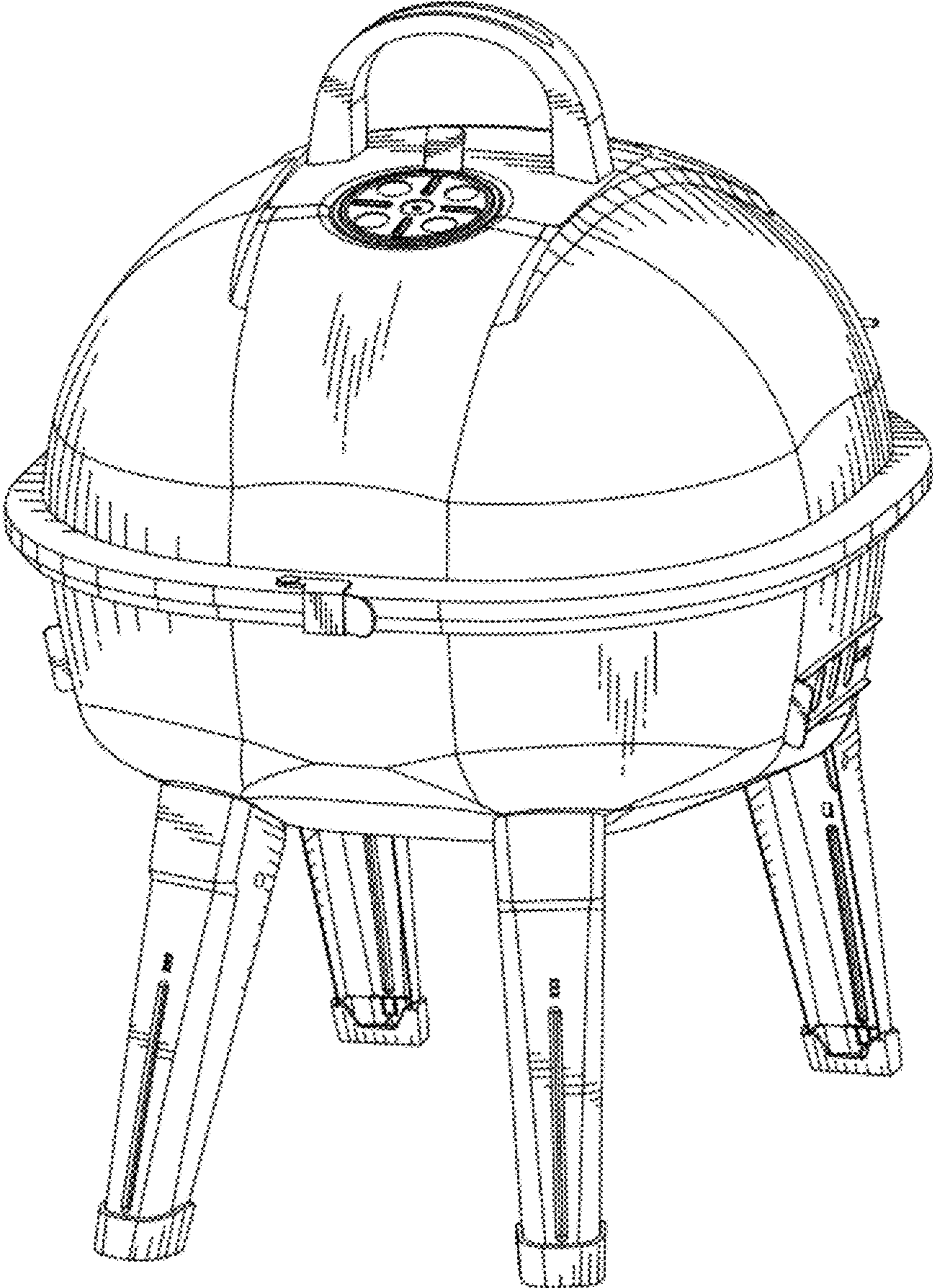


FIG. 1

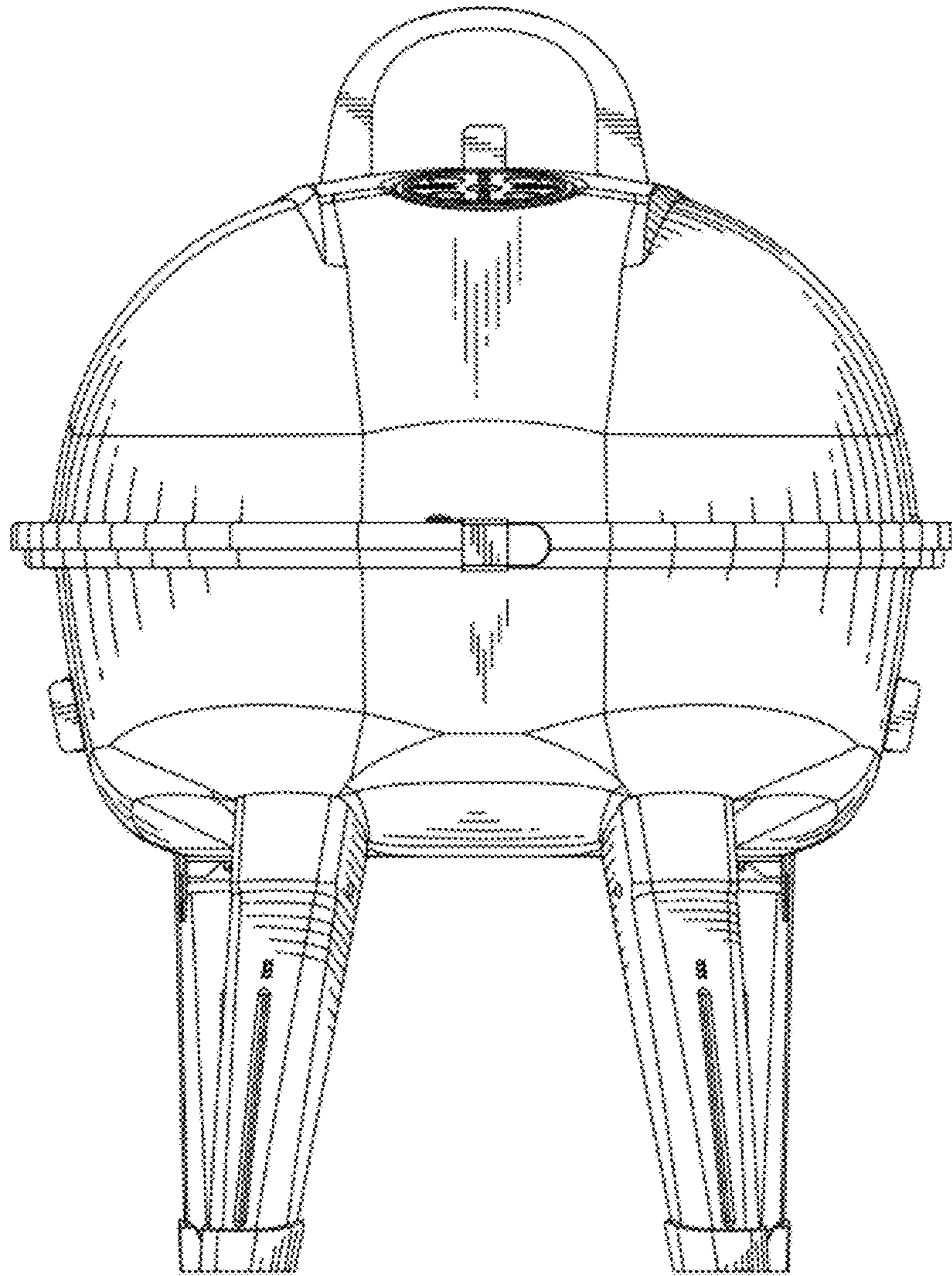


FIG. 2

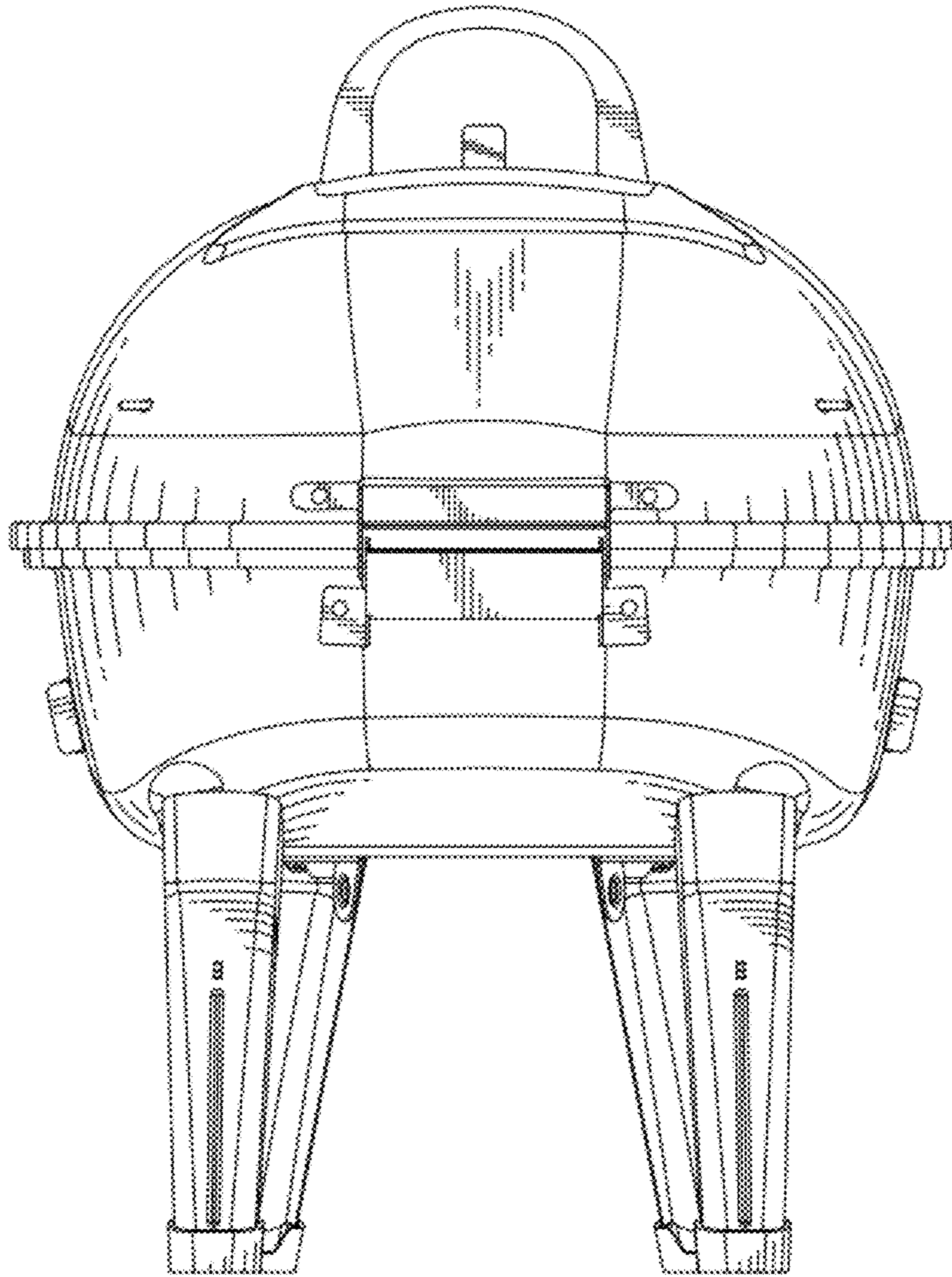


FIG. 3

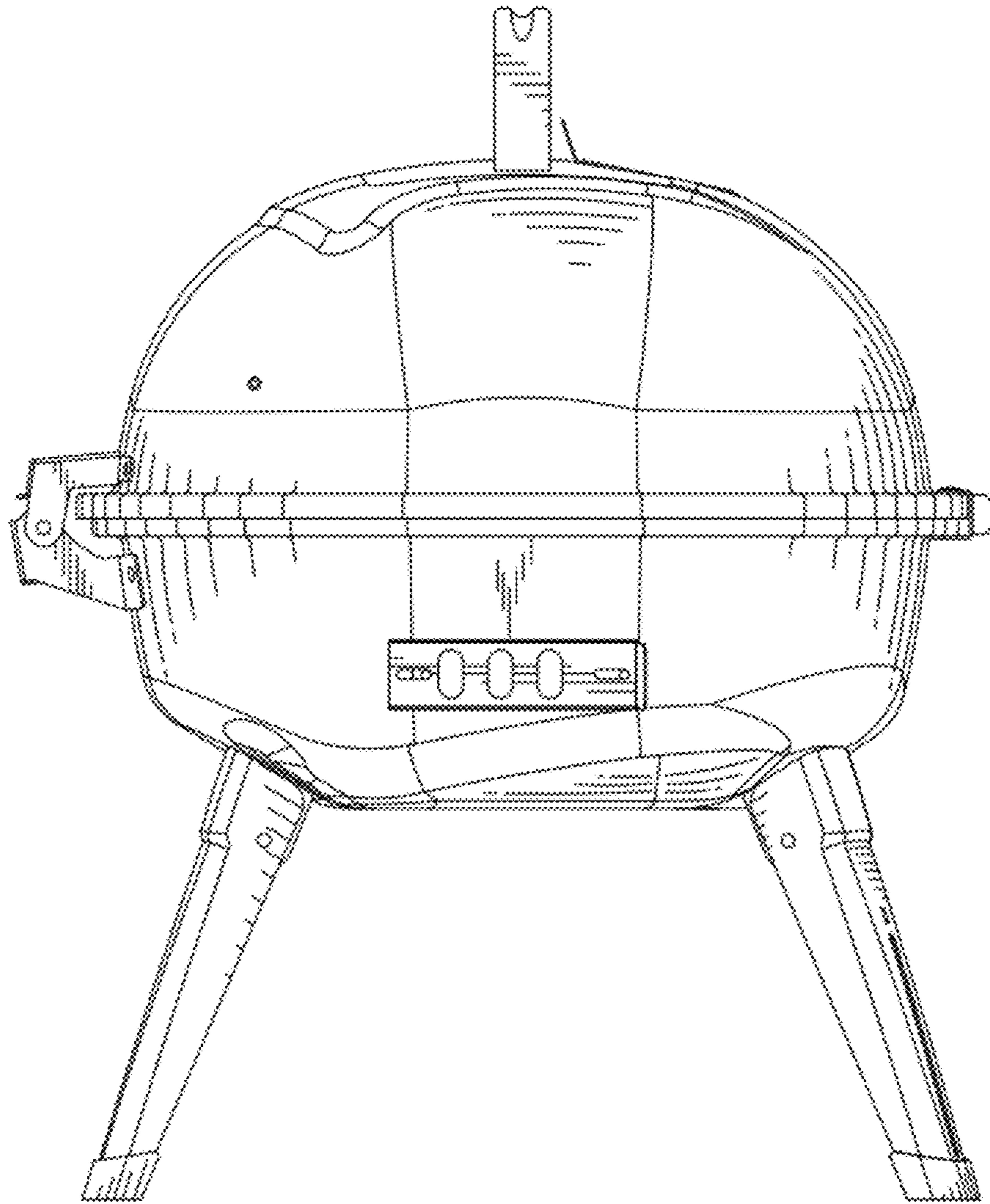


FIG. 4

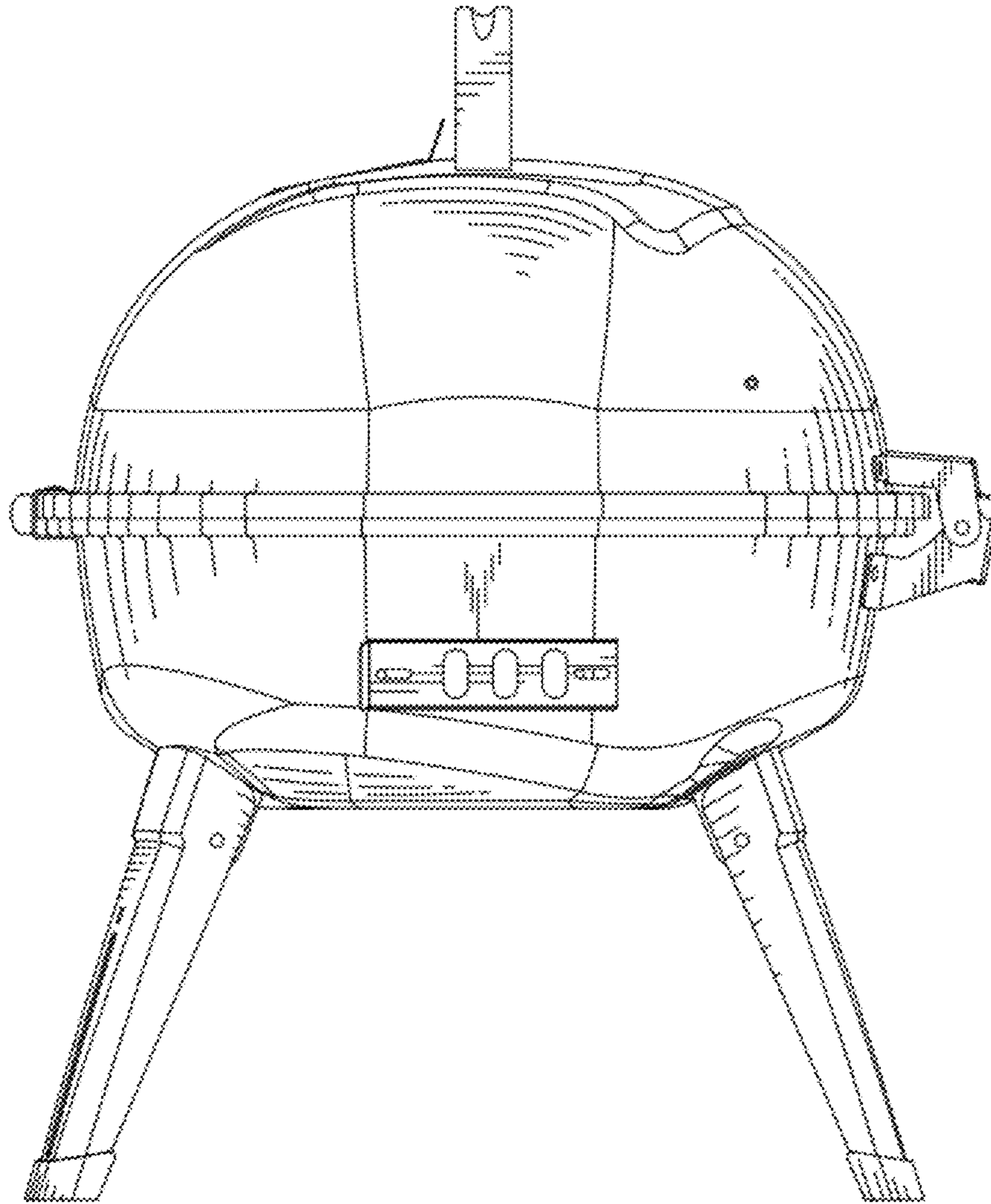


FIG. 5

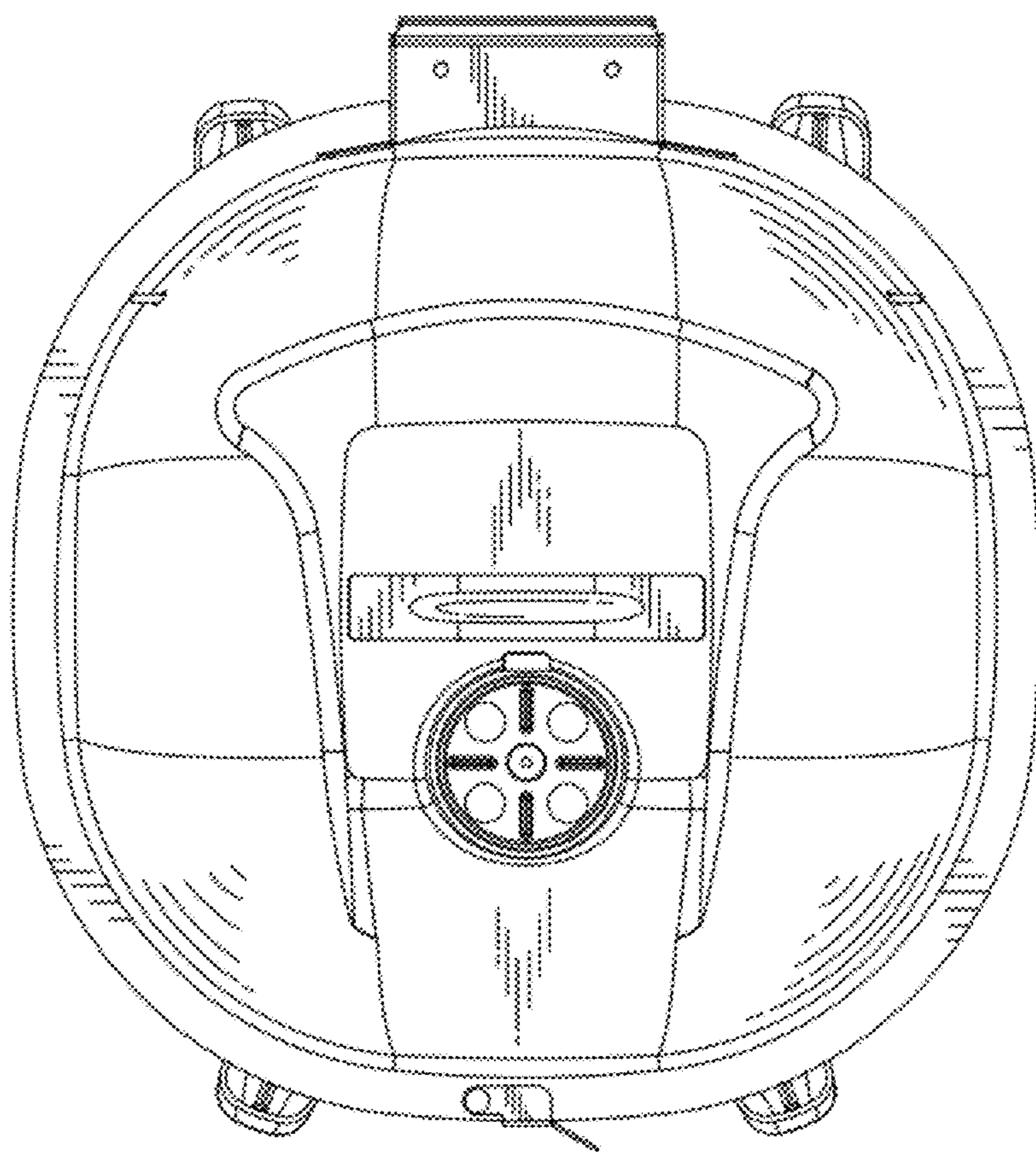


FIG. 6

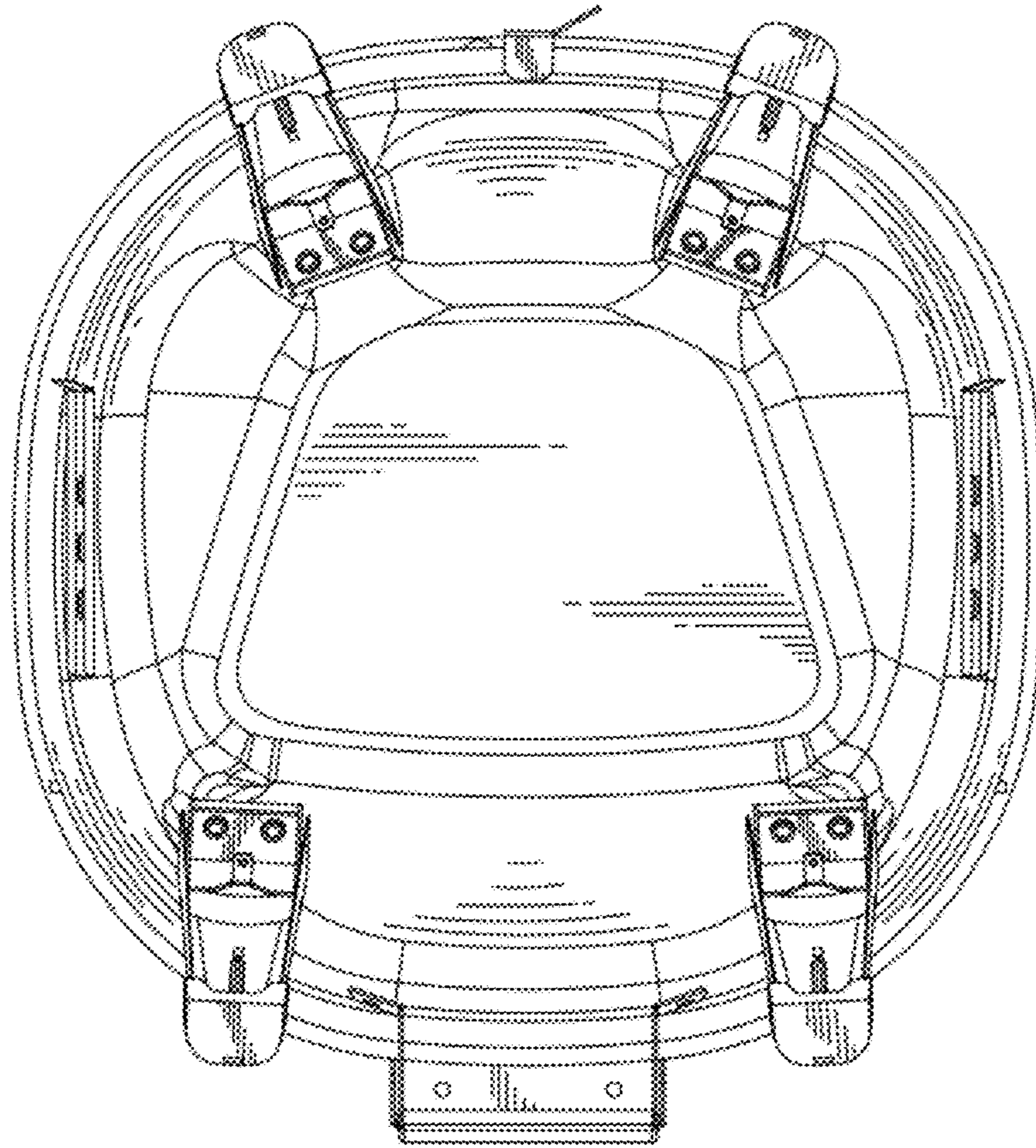


FIG. 7

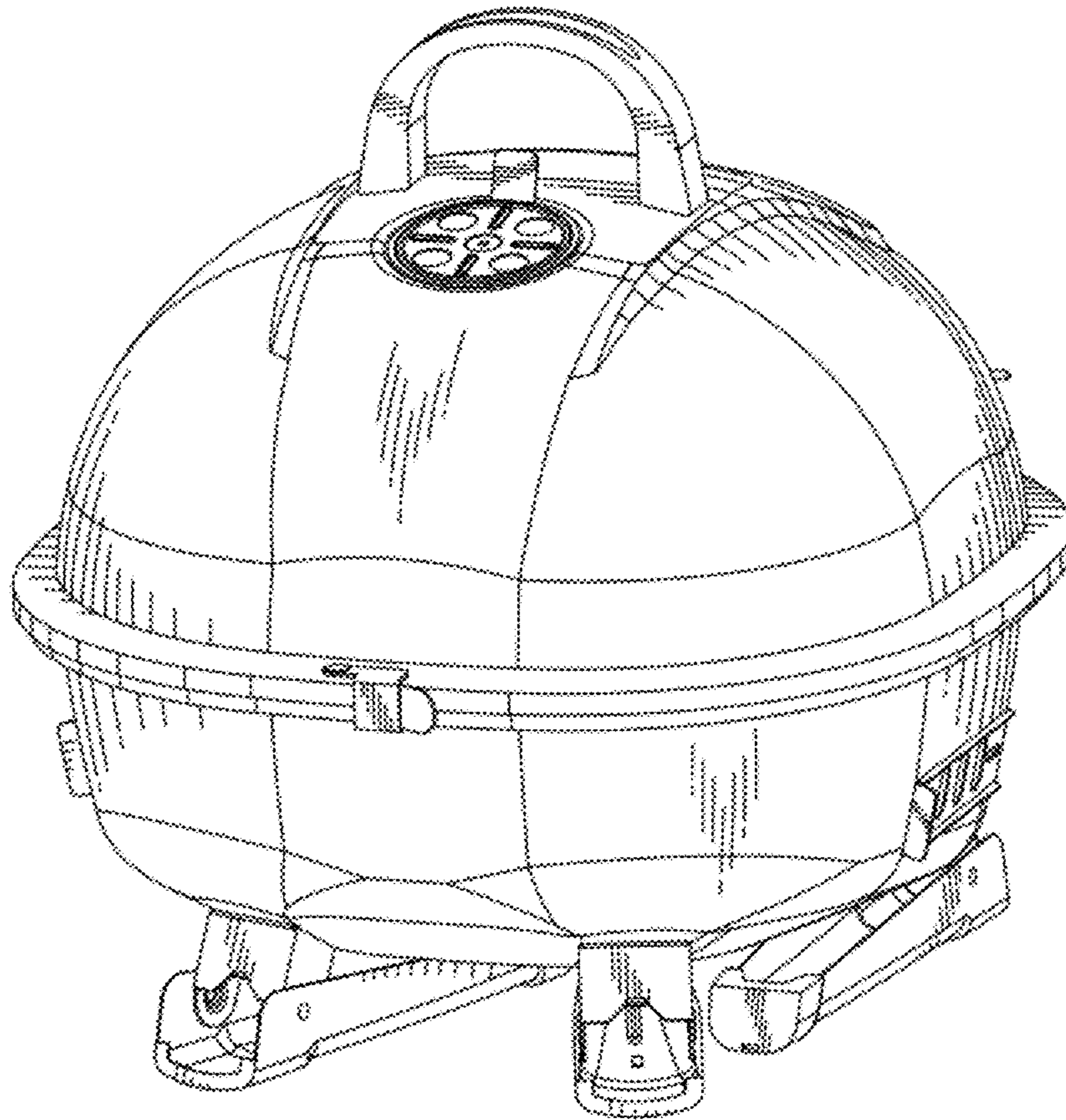


FIG. 8