



US00D677106S

(12) **United States Design Patent**
Horito et al.

(10) **Patent No.:** **US D677,106 S**
(45) **Date of Patent:** **** Mar. 5, 2013**

(54) **STOVE**

(75) Inventors: **Michael Horito**, Provo, UT (US); **Lee Croy**, Salt Lake City, UT (US); **John R. Omdahl, II**, Lindon, UT (US); **Steven Madsen**, New York, NY (US)

(73) Assignee: **Fenix Outdoor AB**, Oernskoeldsvik (SE)

(**) Term: **14 Years**

(21) Appl. No.: **29/398,684**

(22) Filed: **Aug. 3, 2011**

(51) **LOC (9) Cl.** **07-02**

(52) **U.S. Cl.** **D7/337**

(58) **Field of Classification Search** D7/332,
D7/334-337, 402-407, 409; 126/25 R, 25 A,
126/25 AA, 29-30, 9 R, 37-38, 41 R, 40-50,
126/332, 39 M, 214 R, 307 R, 334 R, 276,
126/268; 99/481, 482; D6/511; 219/461.1;
312/100, 236

See application file for complete search history.

(56) **References Cited**

U.S. PATENT DOCUMENTS

D251,893 S *	5/1979	Chan	D7/337
D251,894 S *	5/1979	Chan	D7/337
D276,303 S *	11/1984	Chan	D7/337
D291,399 S *	8/1987	Chan	D7/337
D295,818 S *	5/1988	Chan	D7/332
D450,976 S *	11/2001	Mosher	D7/337

D469,298 S *	1/2003	Hinton et al.	D7/332
D514,871 S *	2/2006	May et al.	D7/337
D582,716 S *	12/2008	Averty	D7/337
D611,293 S *	3/2010	Chung	D7/337
D614,436 S *	4/2010	Chung	D7/337

* cited by examiner

Primary Examiner — Ruth McInroy

(74) *Attorney, Agent, or Firm* — Collard & Roe, P.C.

(57) **CLAIM**

The ornamental design for a stove, as shown and described.

DESCRIPTION

FIG. 1 is a top and side perspective view of a stove, showing our new design in a closed position;
 FIG. 2 is a top view thereof;
 FIG. 3 is a bottom view thereof;
 FIG. 4 is a front view thereof;
 FIG. 5 is a rear view thereof;
 FIG. 6 is a left side view thereof;
 FIG. 7 is a right side view thereof;
 FIG. 8 is a front and top perspective view thereof in an open position;
 FIG. 9 is a top view thereof;
 FIG. 10 is a bottom view thereof;
 FIG. 11 is a front view thereof;
 FIG. 12 is a rear view thereof;
 FIG. 13 is a left side view thereof; and,
 FIG. 14 is a right side view thereof.
 The portions depicted in broken lines show environmental structure and form no part of the claimed design.

1 Claim, 14 Drawing Sheets

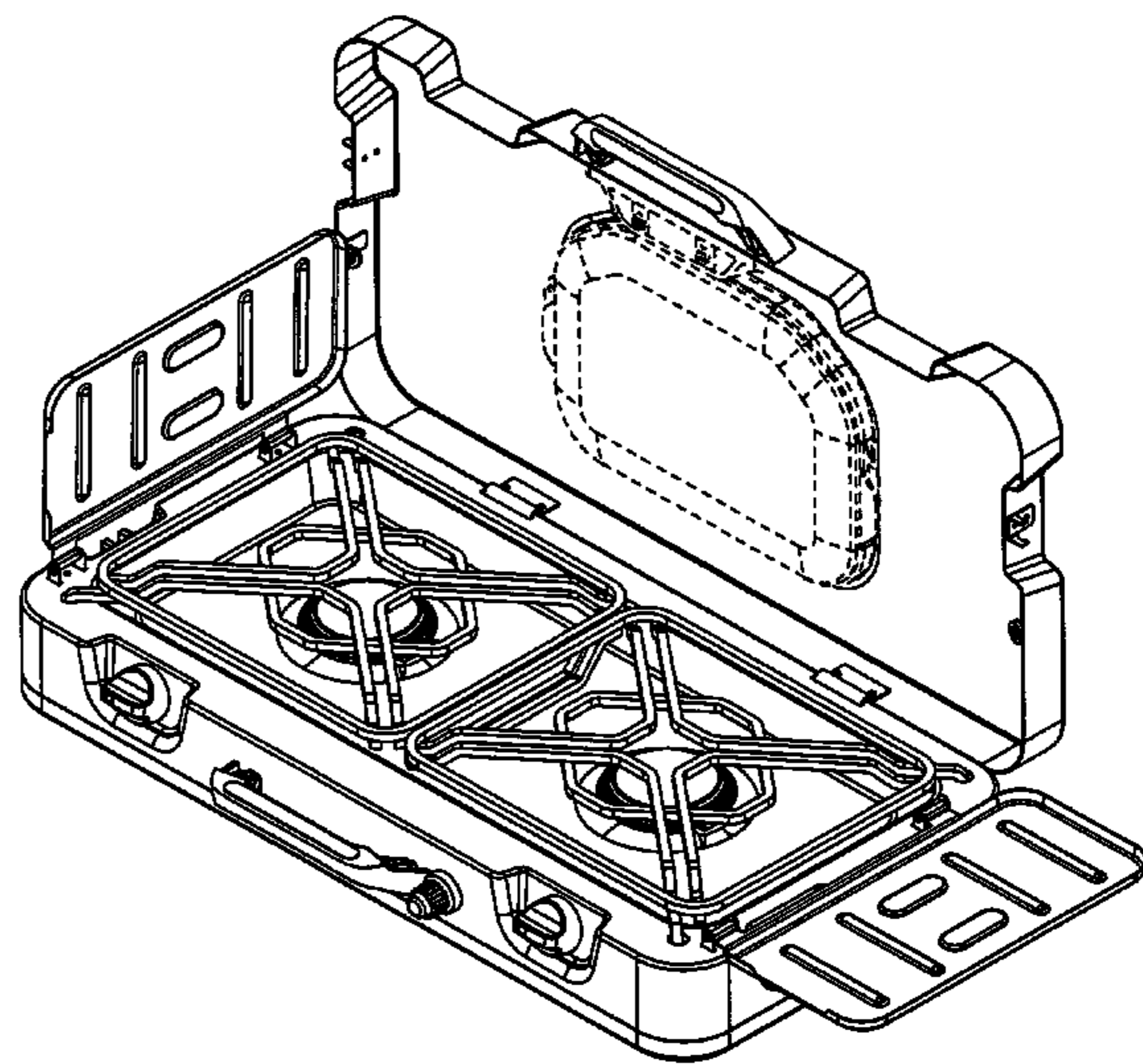
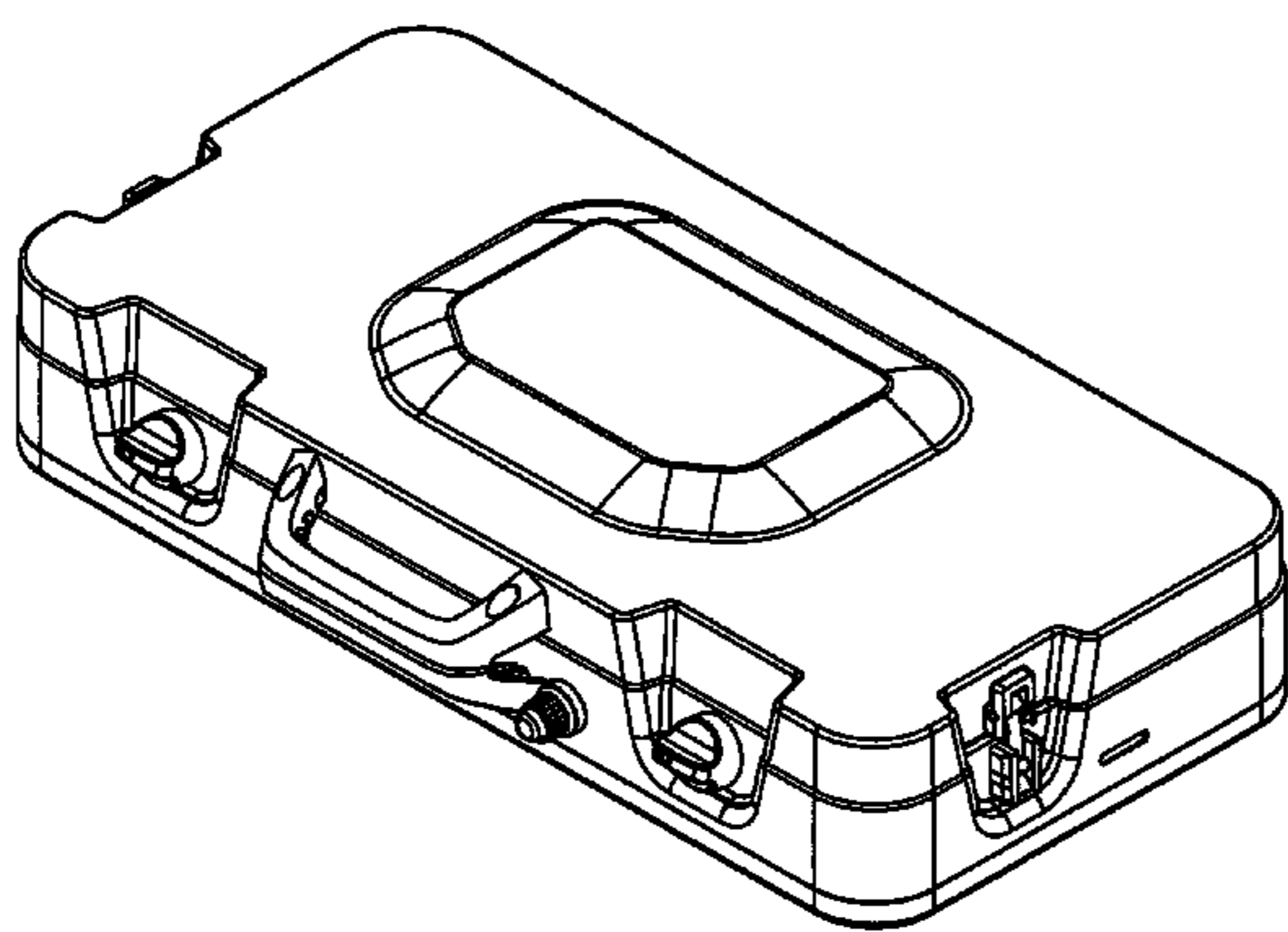


FIG. 1

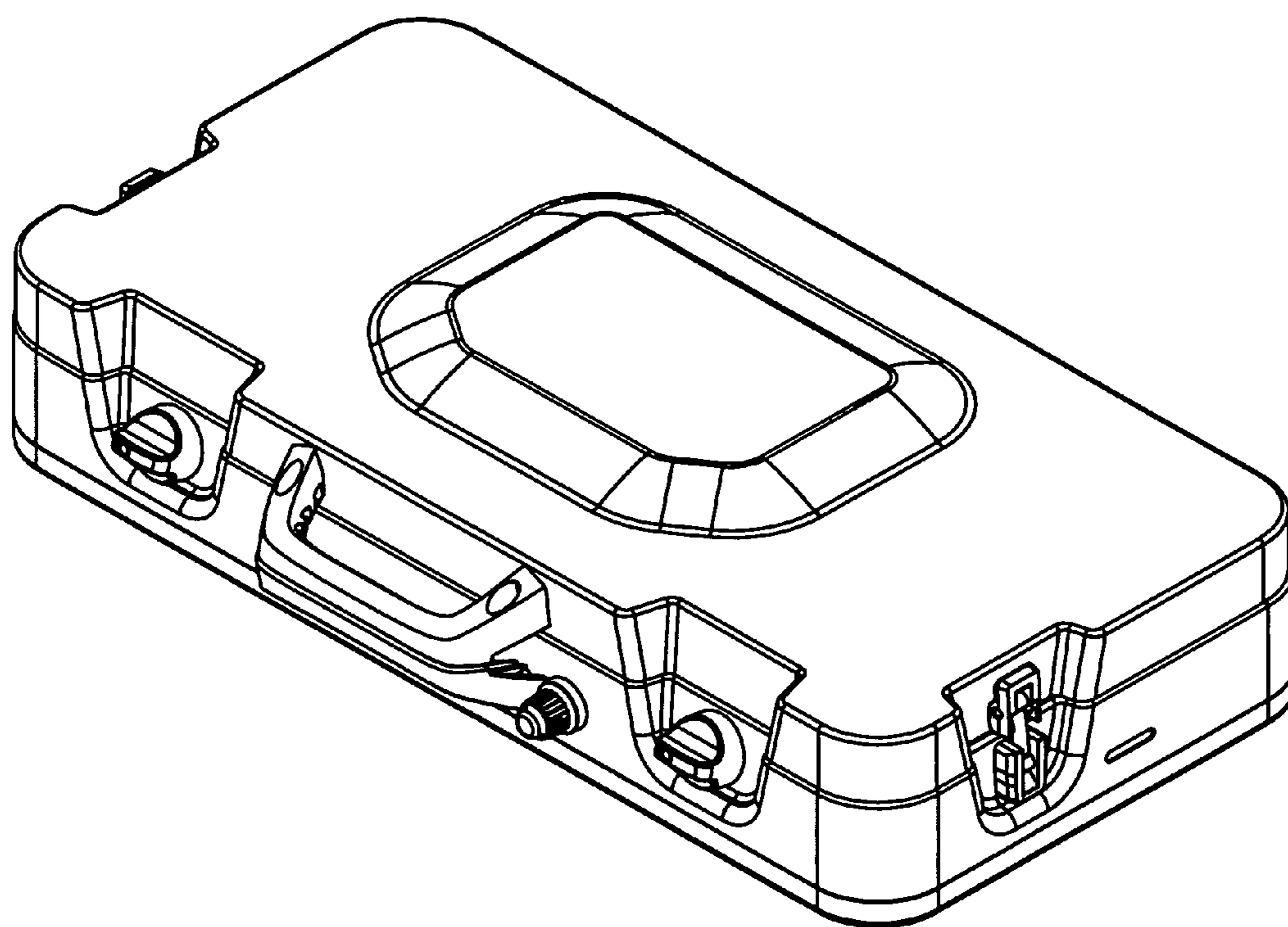


FIG. 2

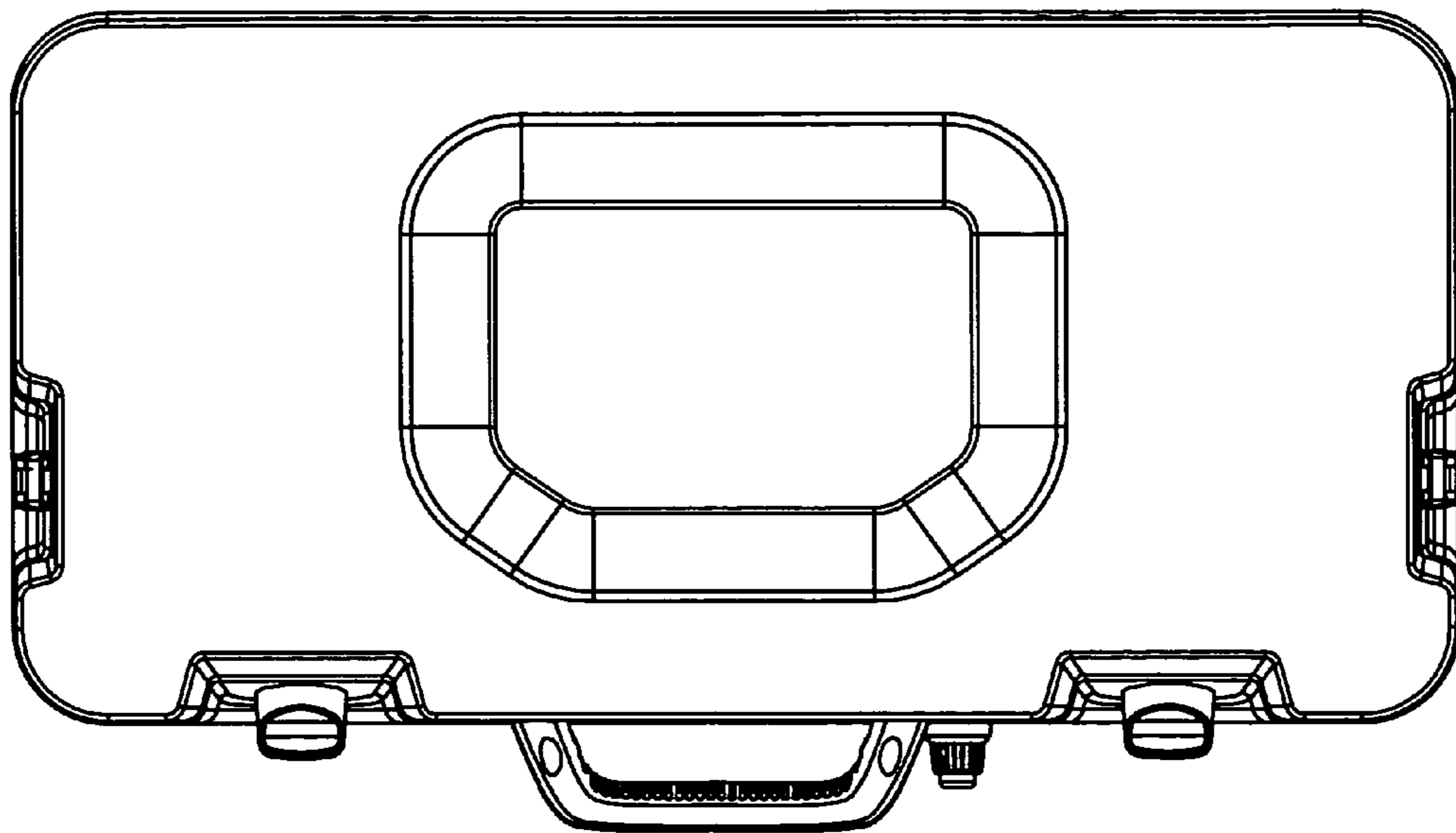


FIG. 3

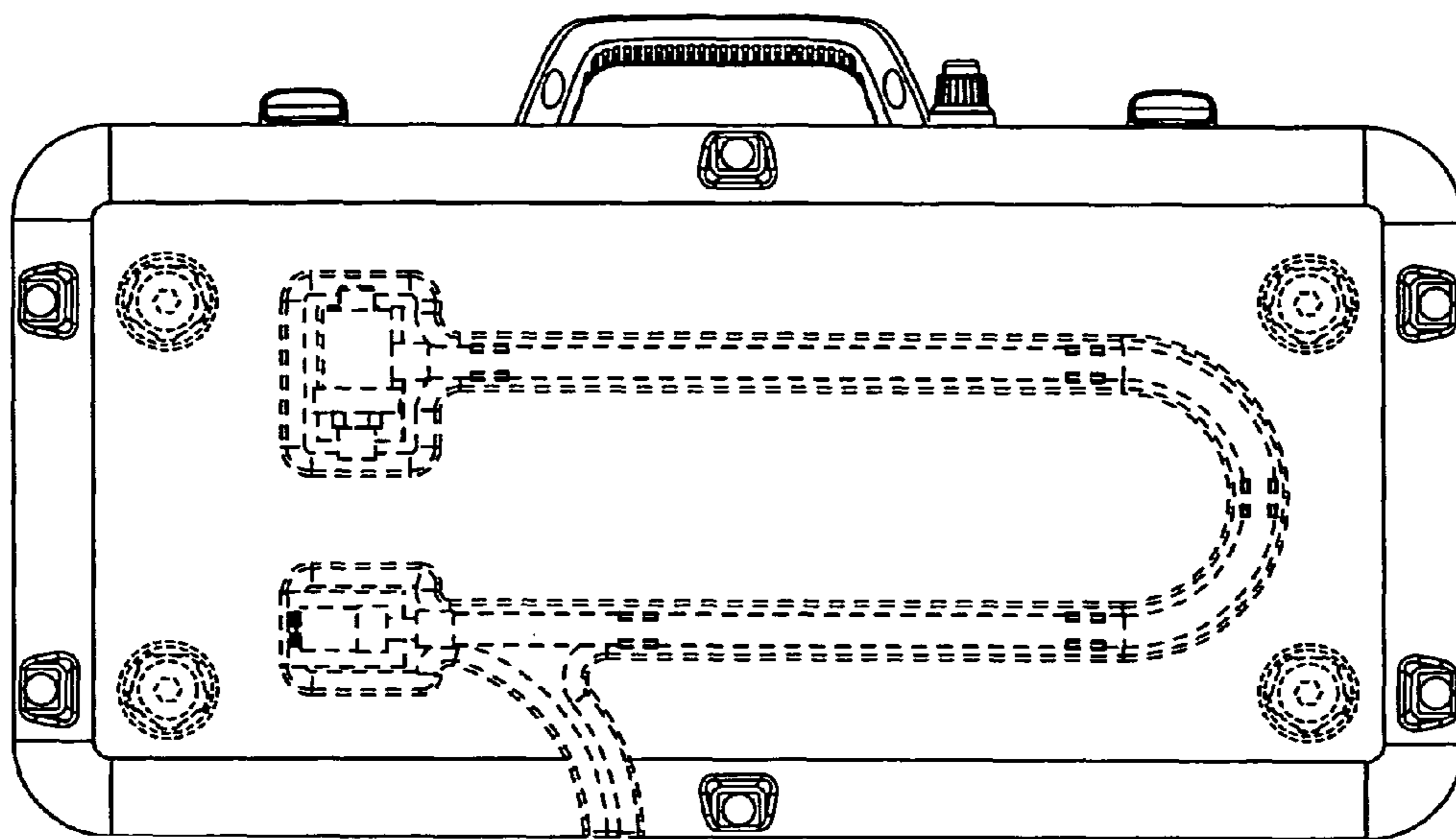


FIG. 4

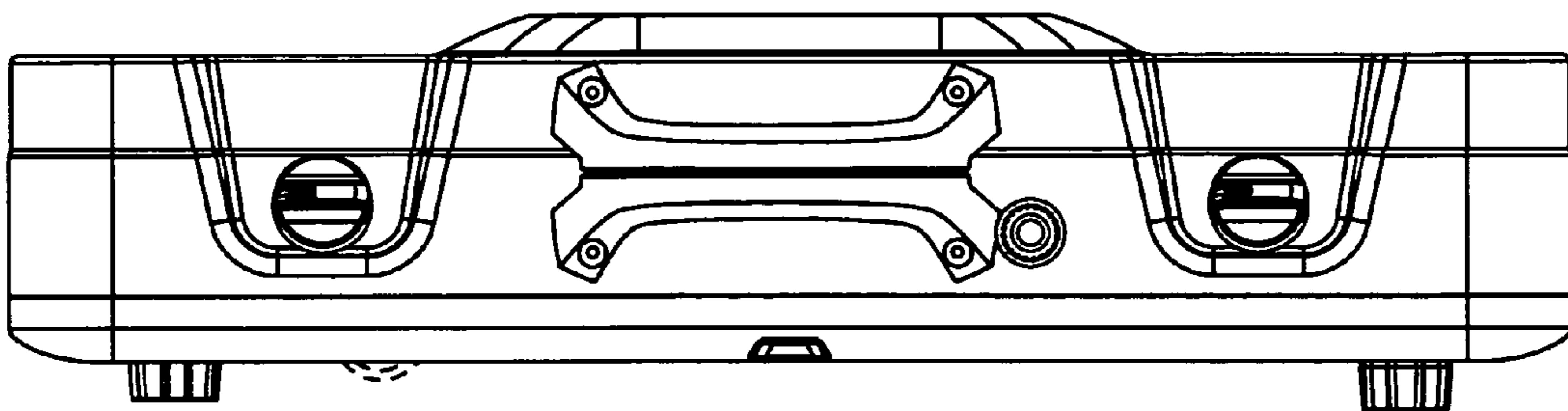


FIG. 5

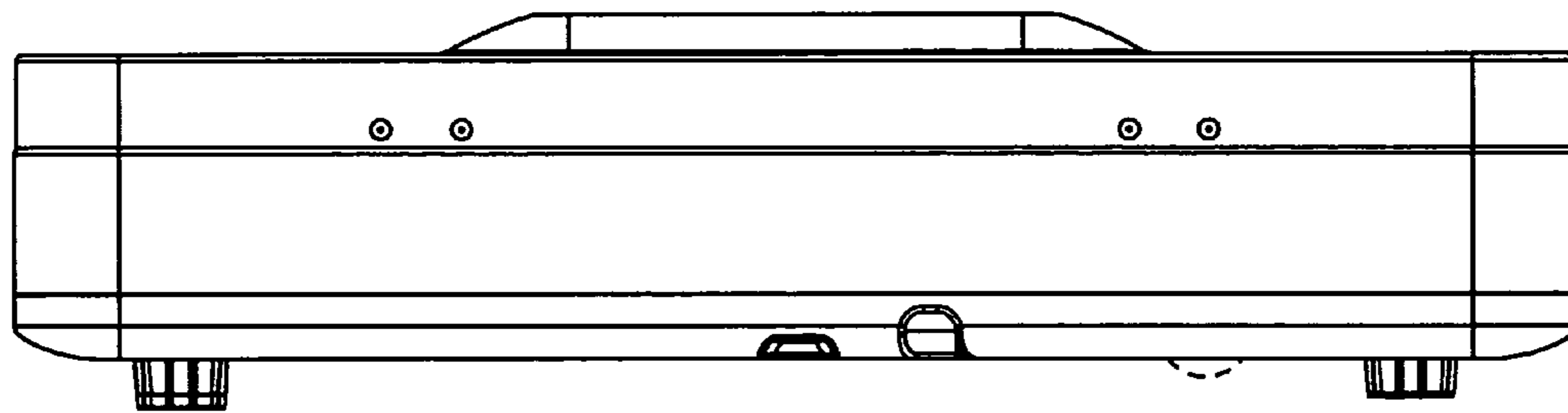


FIG. 6

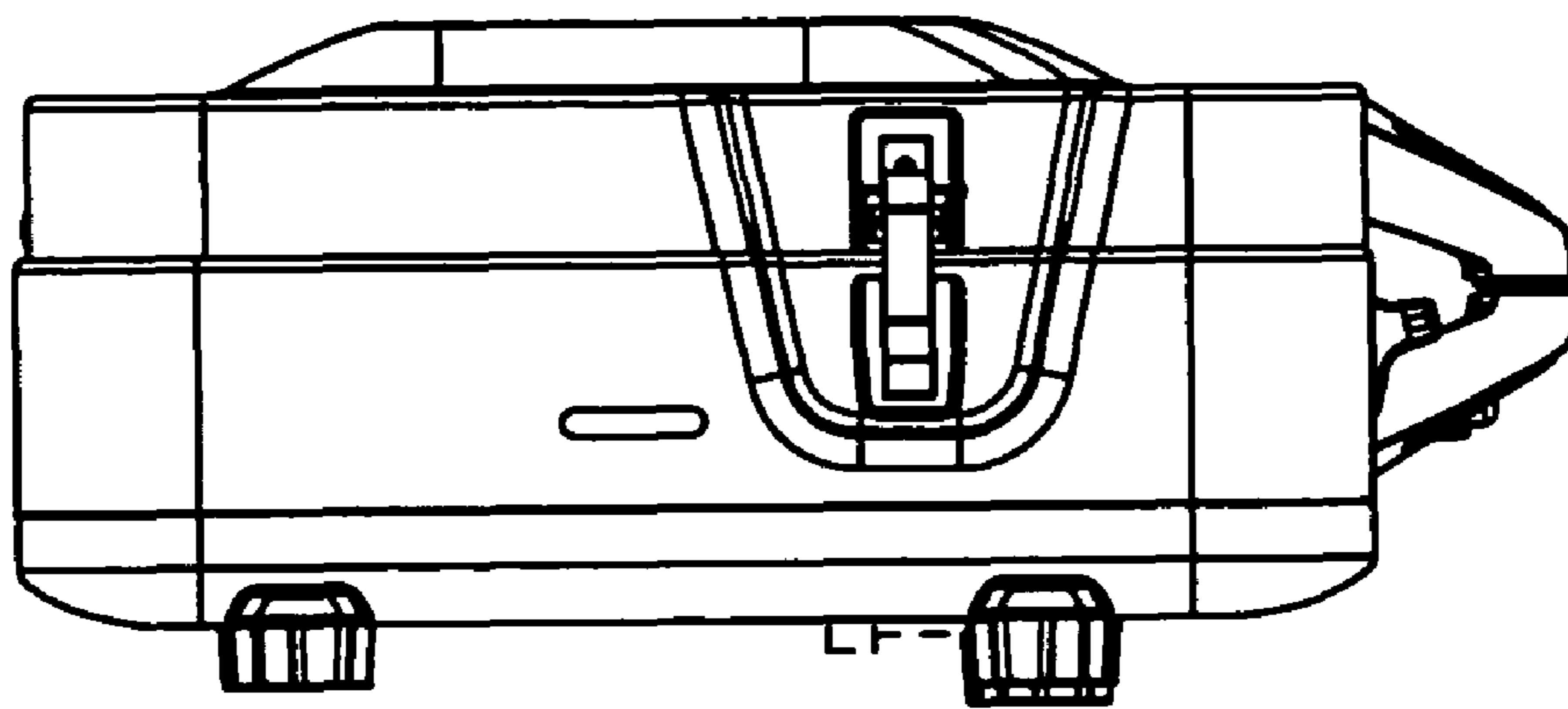


FIG. 7

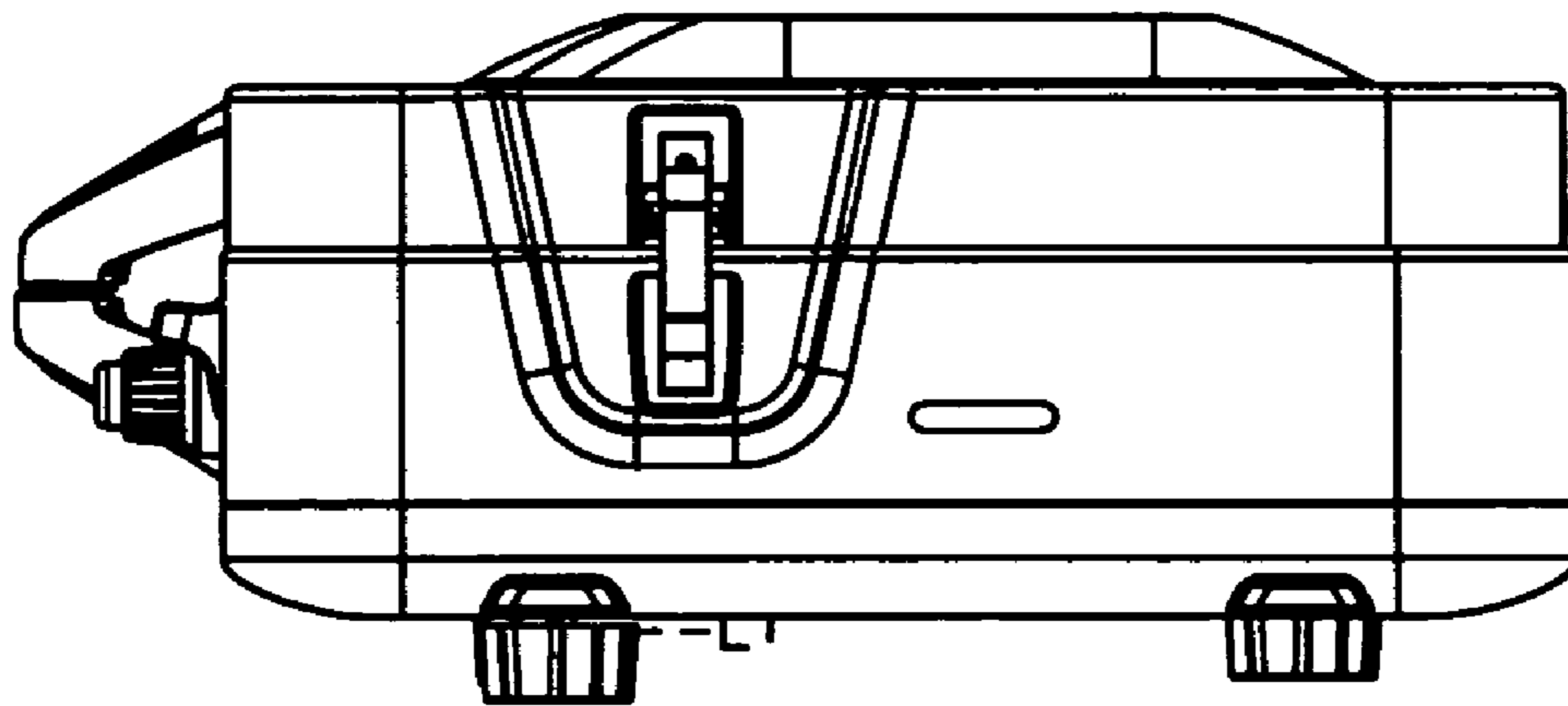


FIG. 8

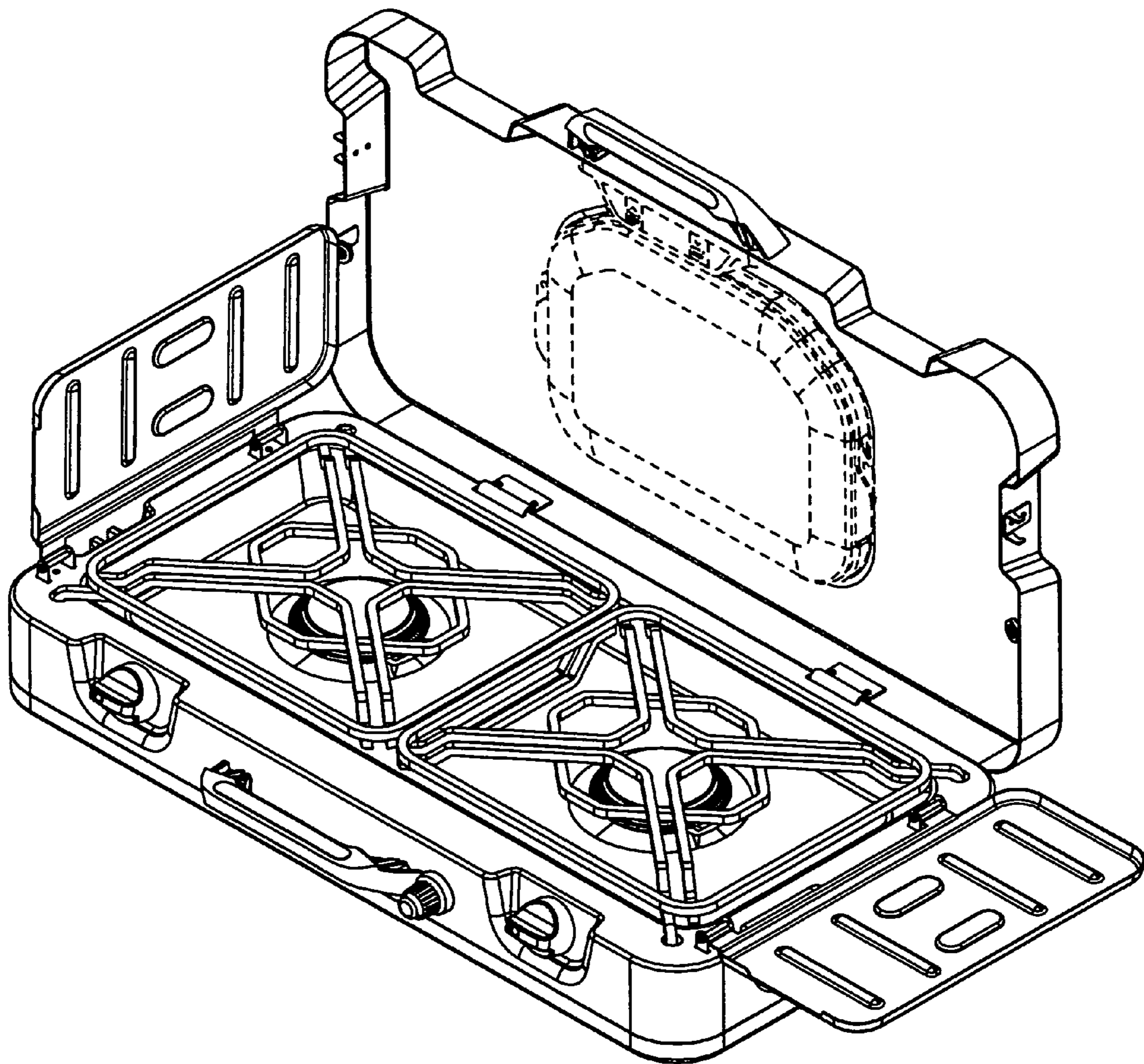


FIG. 9

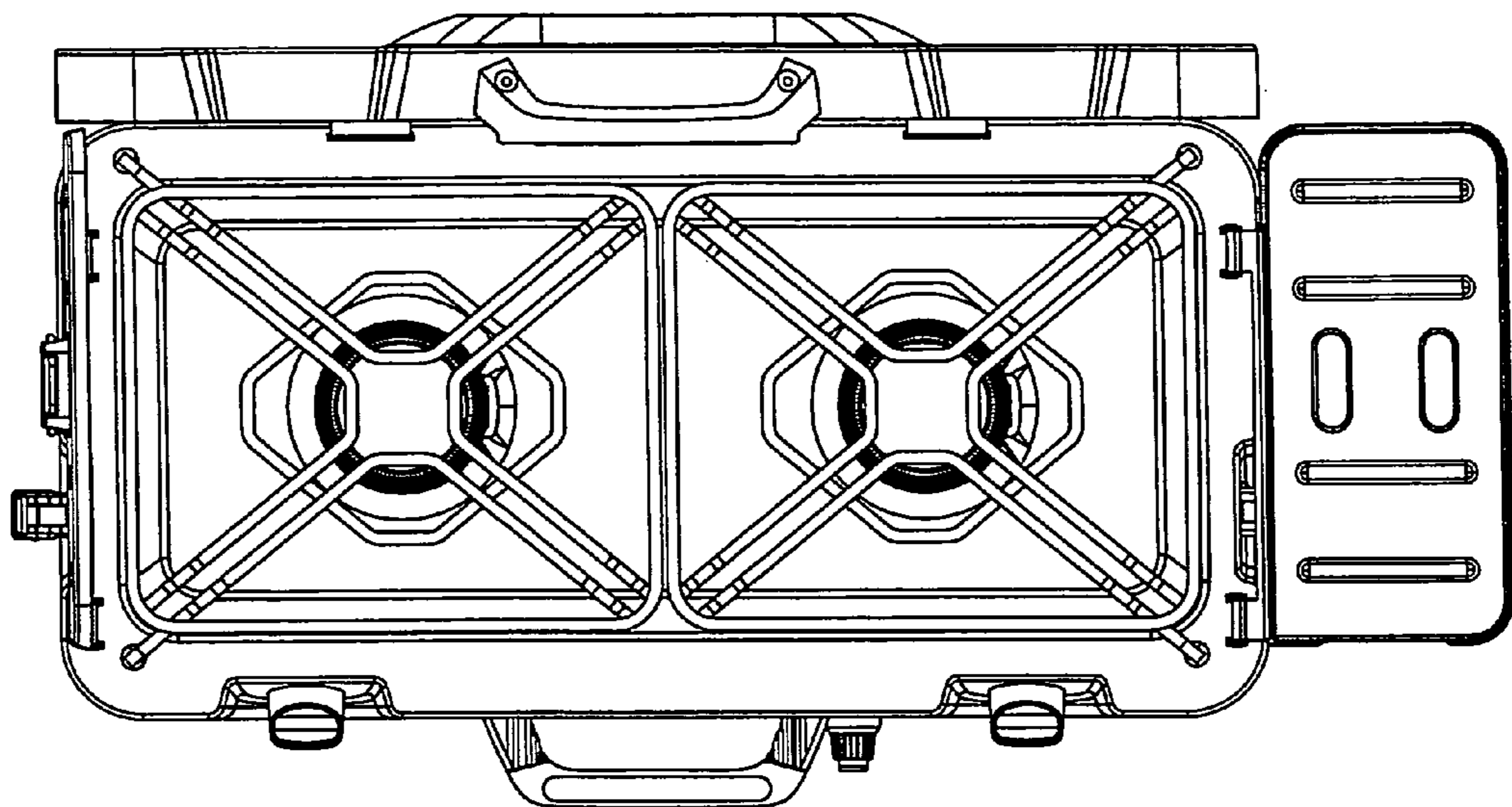


FIG. 10

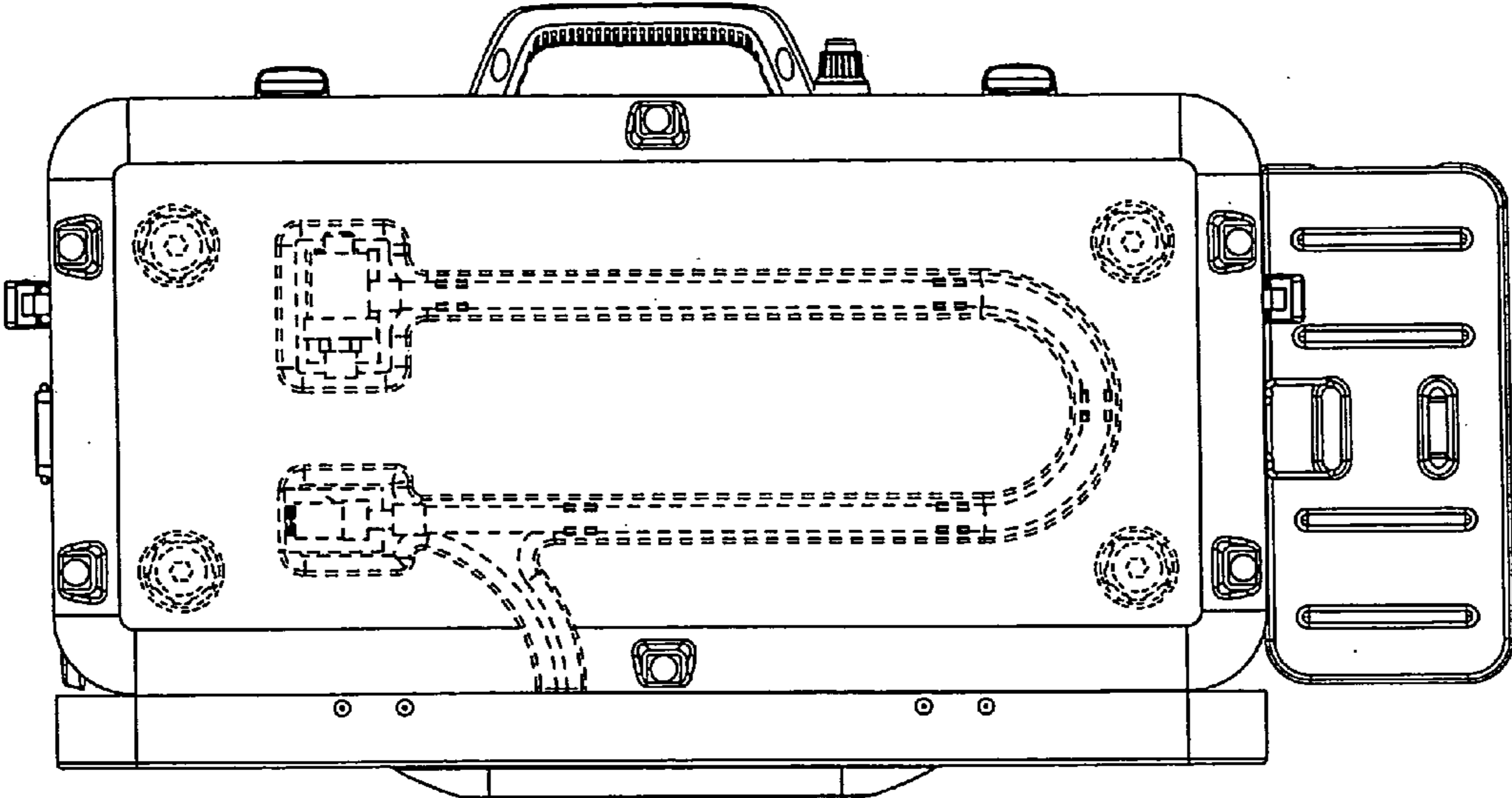


FIG. 11

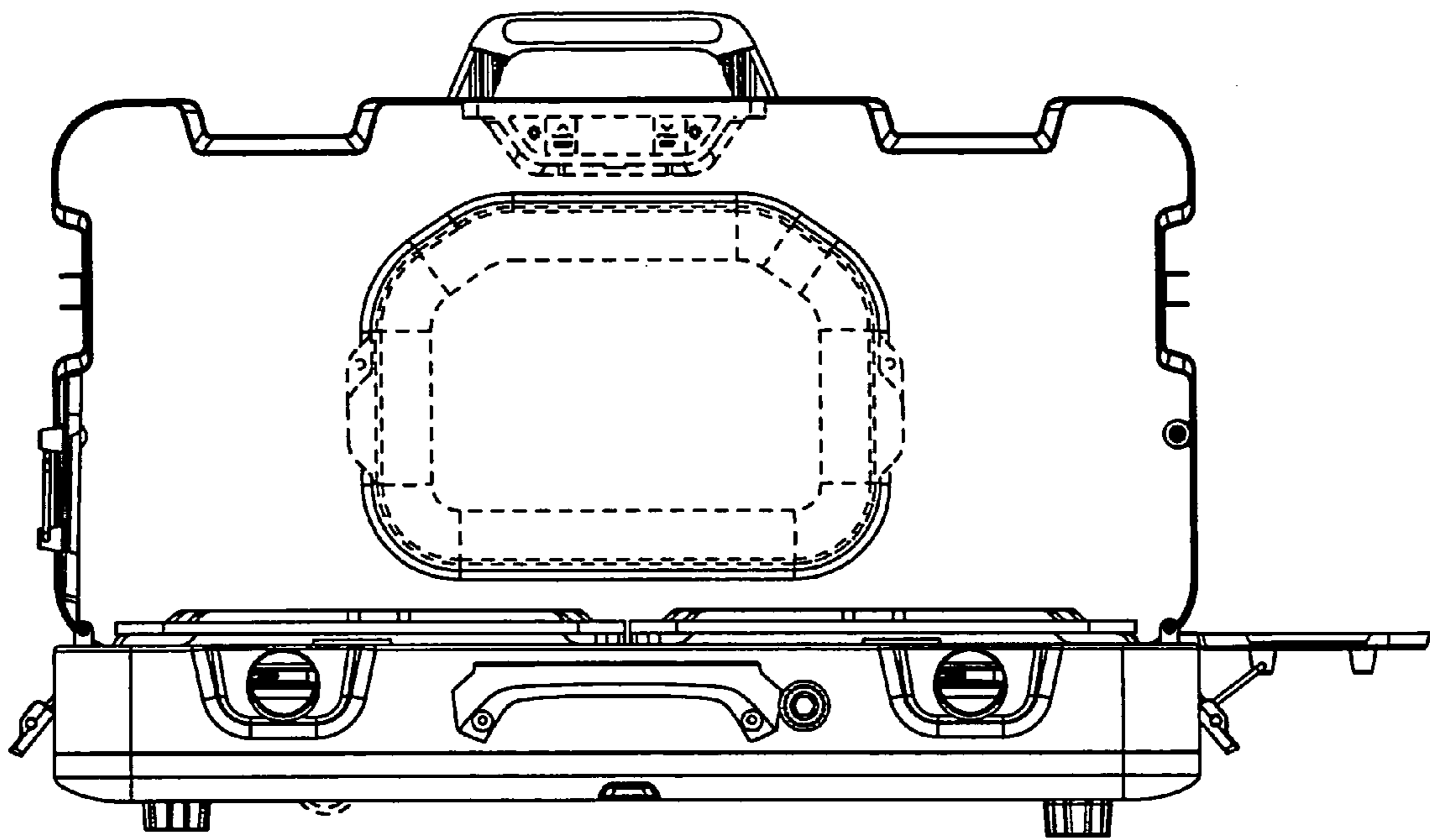


FIG. 12

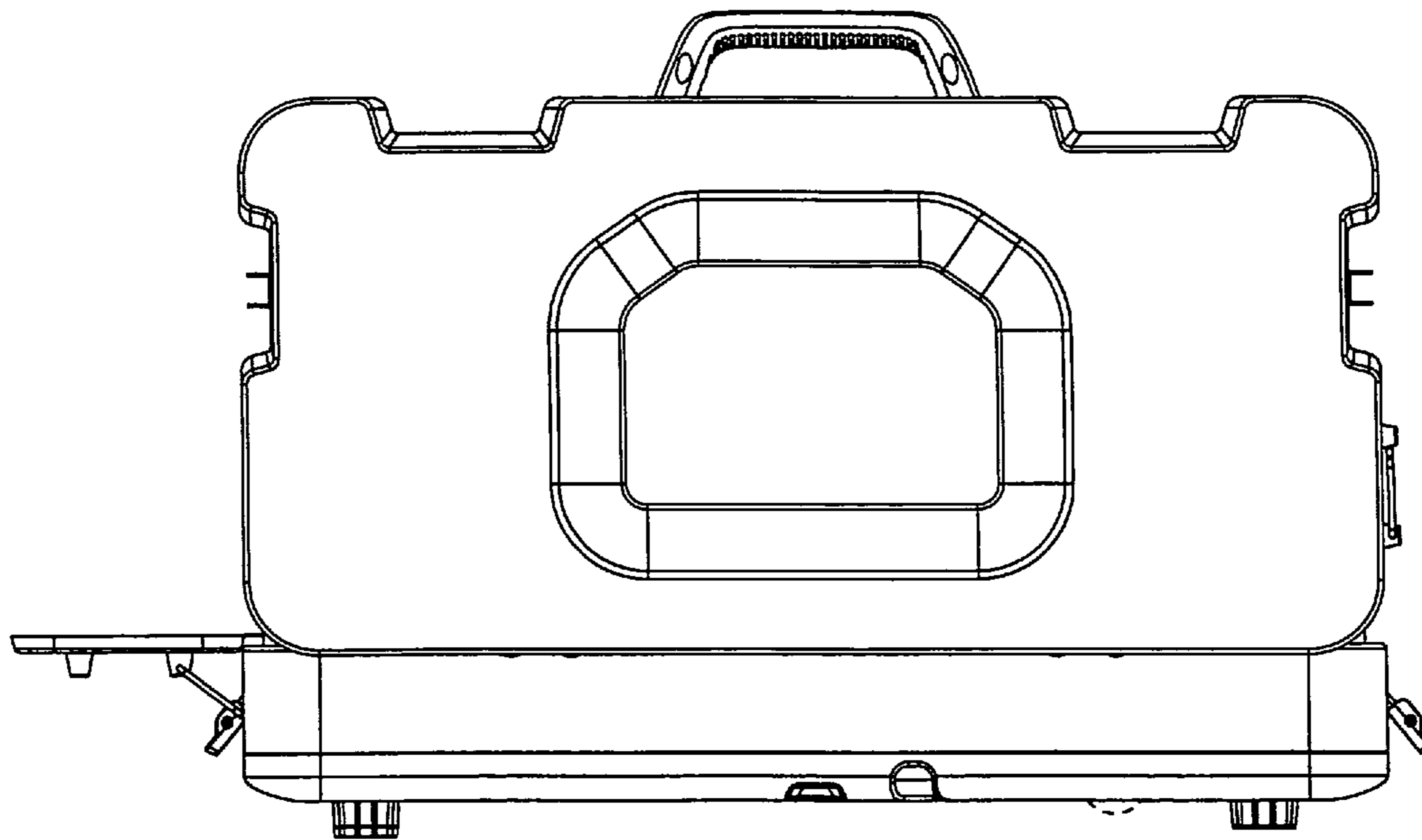


FIG. 13

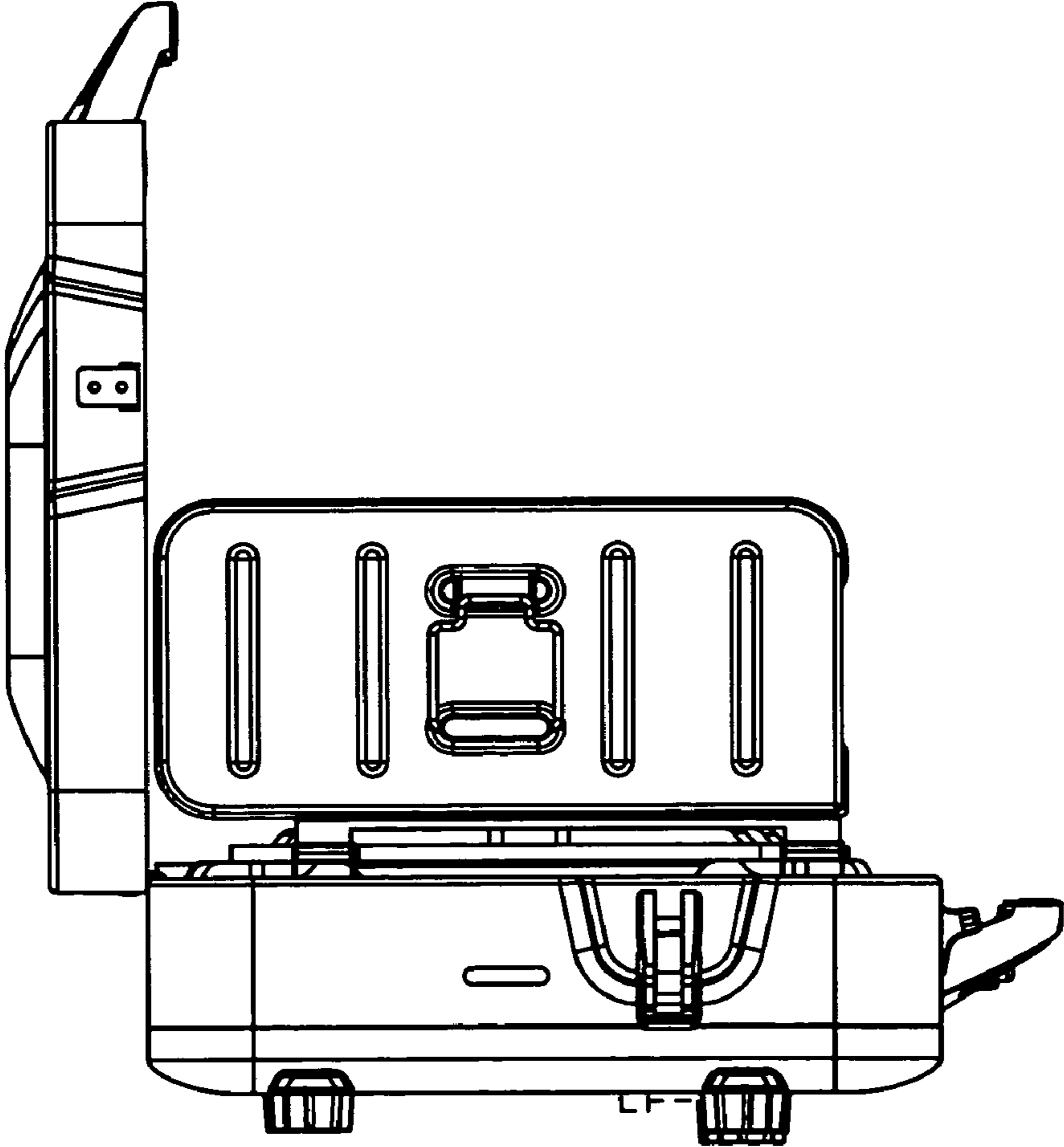


FIG. 14

