



US00D677105S

(12) **United States Design Patent**
DeGeyter

(10) **Patent No.:** **US D677,105 S**
(45) **Date of Patent:** **** Mar. 5, 2013**

(54) **BARBEQUE**

(76) Inventor: **Stephen R. DeGeyter**, Grants Pass, OR
(US)

(**) Term: **14 Years**

(21) Appl. No.: **29/404,024**

(22) Filed: **Oct. 13, 2011**

(51) **LOC (9) Cl.** **07-02**

(52) **U.S. Cl.** **D7/332**

(58) **Field of Classification Search** D7/332,
D7/334, 337, 402-406, 409; 126/27, 44,
126/25 R, 41 R, 9 R, 40, 50, 38, 39 H, 39 N,
126/39 K, 39 M, 39 R, 39 J, 39 G, 39 E,
126/285 R, 287, 290, 80, 243; 99/425, 444-44,
99/450, 481, 482, 340; 431/247, 207, 264
See application file for complete search history.

(56) **References Cited**

U.S. PATENT DOCUMENTS

D100,350 S	*	7/1936	Manville	D22/104
D201,416 S		6/1965	Sazegar		
D239,282 S	*	3/1976	Kennedy et al.	D22/104
D270,606 S		9/1983	McCrary et al.		
D296,349 S	*	6/1988	Ruger et al.	D22/104
D299,674 S	*	1/1989	Domian	D22/104
D301,911 S	*	6/1989	Ruger et al.	D22/104
D325,319 S		4/1992	Zilber et al.		
D370,380 S		6/1996	McGourthy, Jr.		
D388,277 S		12/1997	Scroggins		
D395,982 S		7/1998	Dunn		
D441,249 S		5/2001	Kitten		
D442,421 S		5/2001	Cragg		
D442,422 S		5/2001	Dabney		
D479,664 S	*	9/2003	Schuyler	D7/335

D497,076 S	*	10/2004	Sutcliff et al.	D7/332
D524,092 S	*	7/2006	Bayer	D7/334
D535,140 S	*	1/2007	Thurman et al.	D7/335
D538,580 S	*	3/2007	Loving	D7/332
D546,115 S	*	7/2007	Henry	D7/332
D563,151 S		3/2008	Henry		
D577,945 S	*	10/2008	Traeger et al.	D7/334
D578,820 S	*	10/2008	Bauer	D7/332
D578,821 S		10/2008	Young		
D587,778 S	*	3/2009	Zajk	D22/104
D623,001 S	*	9/2010	Lovay	D7/334

* cited by examiner

Primary Examiner — Ruth McInroy

(74) *Attorney, Agent, or Firm* — QuickPatents; Kevin Prince

(57) **CLAIM**

I claim the ornamental design for a barbeque, as shown and described.

DESCRIPTION

FIG. 1 is a perspective view of a barbeque, showing my new design with a cover thereof in a closed position and a trigger and a hammer in a forward position;

FIG. 2 is a perspective view thereof, illustrated with the cover in an open position;

FIG. 3 is a left-side elevational view of FIG. 1;

FIG. 4 is a right-side elevational view of FIG. 1;

FIG. 5 is a rear elevational view of FIG. 1;

FIG. 6 is a front elevational view of FIG. 1;

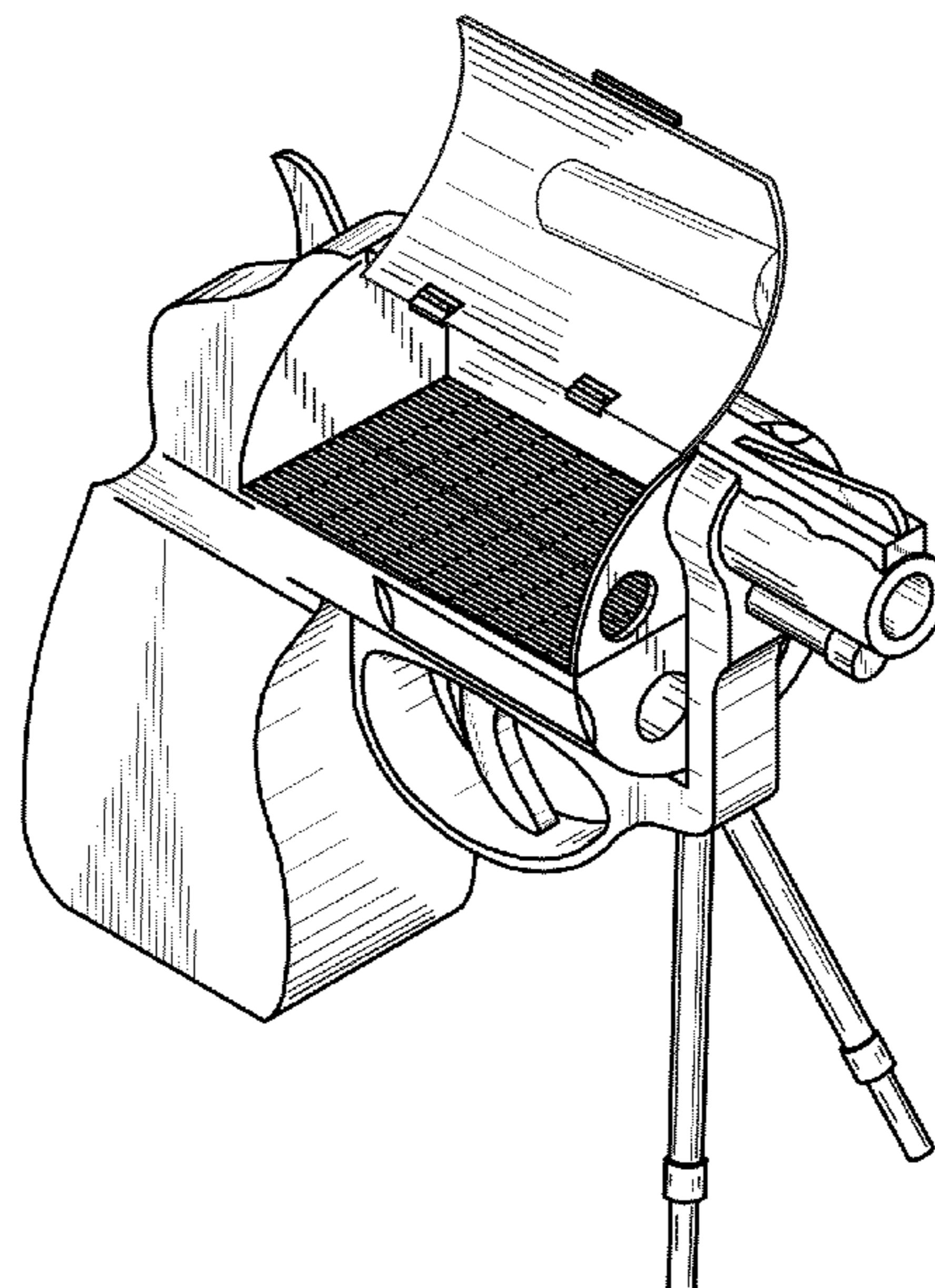
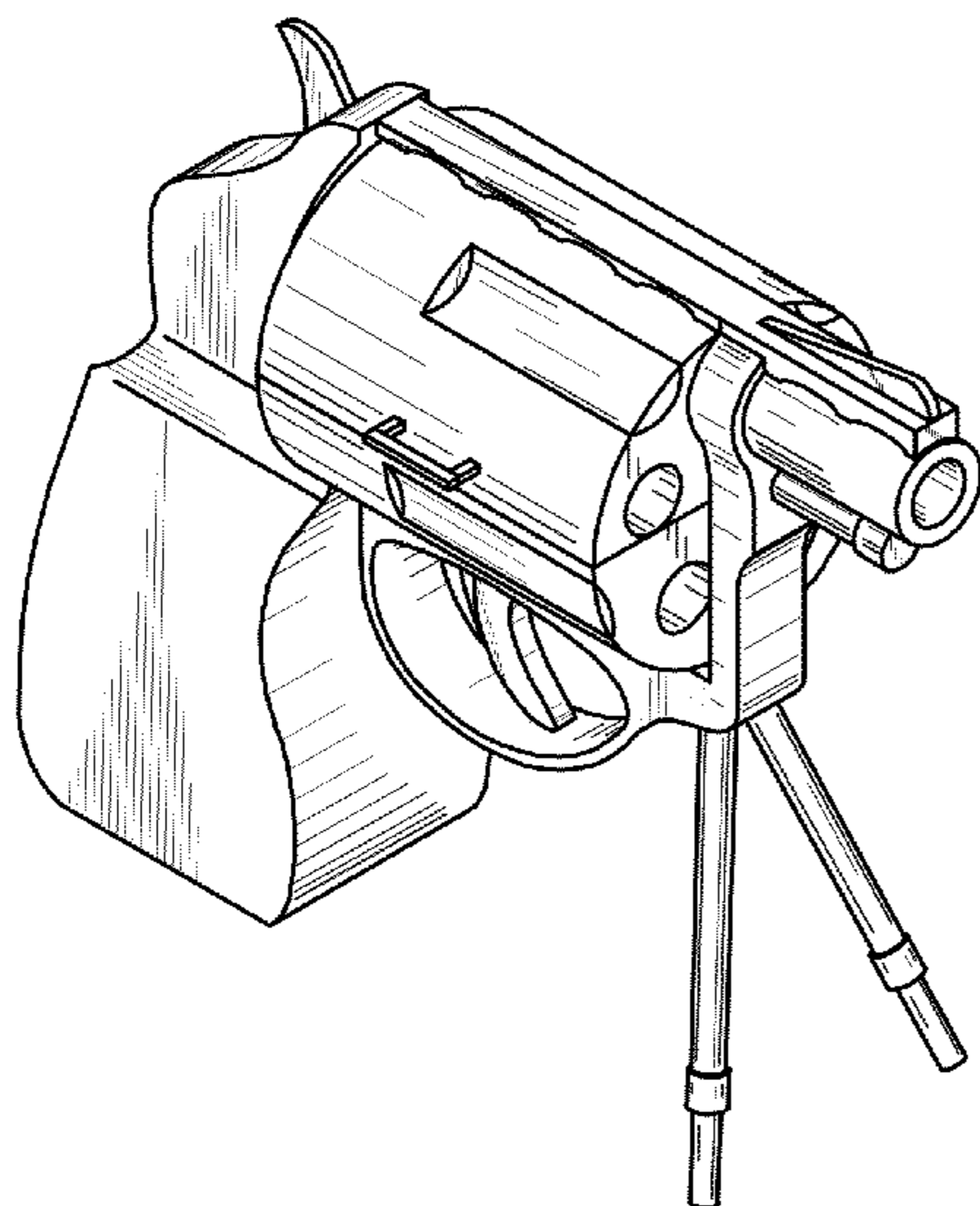
FIG. 7 is a top plan view of FIG. 1;

FIG. 8 is a bottom plan view of FIG. 1;

FIG. 9 is a perspective view thereof, illustrating the trigger and the hammer in a retracted position; and,

FIG. 10 is a left-side elevational view of FIG. 9.

1 Claim, 4 Drawing Sheets



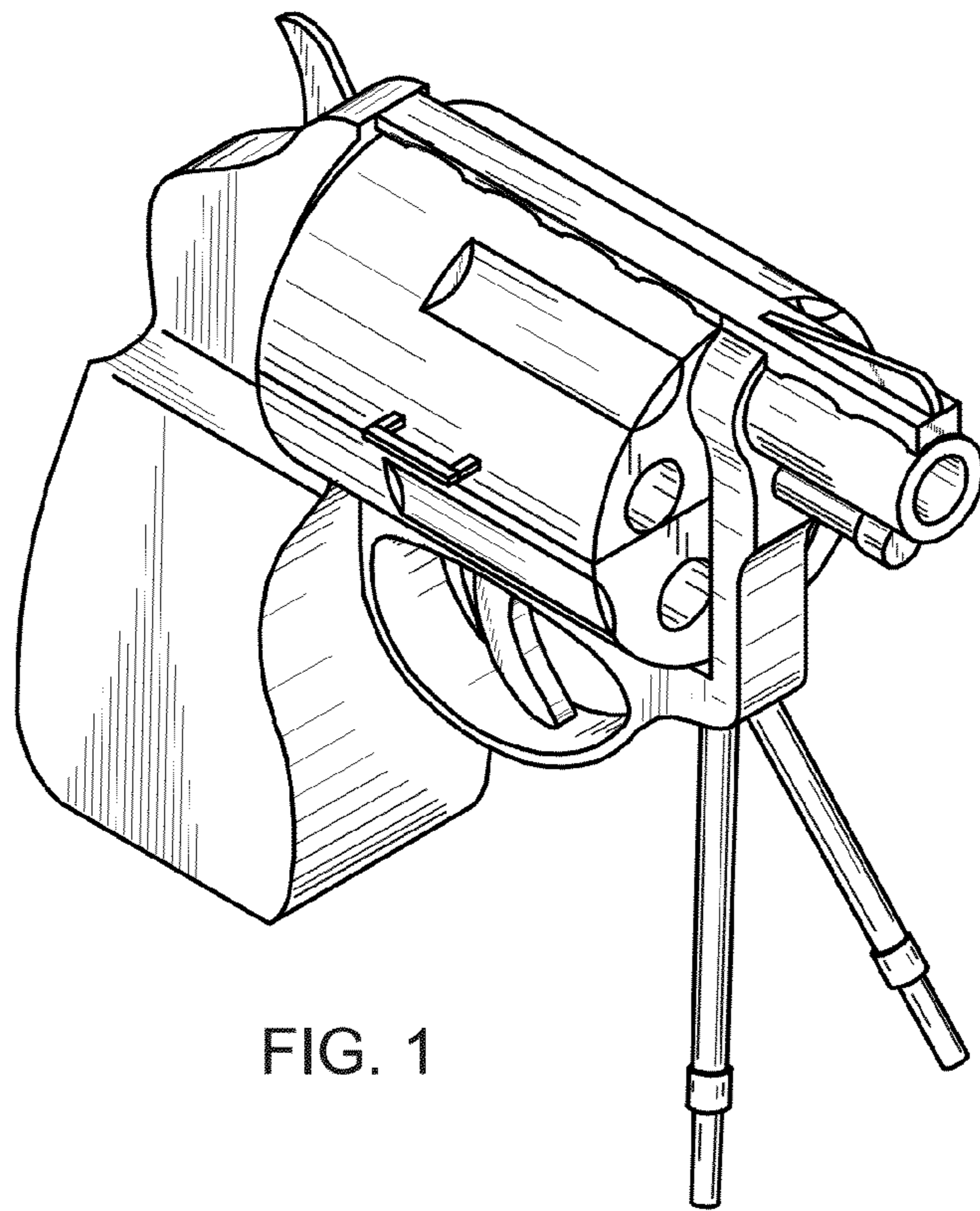


FIG. 1

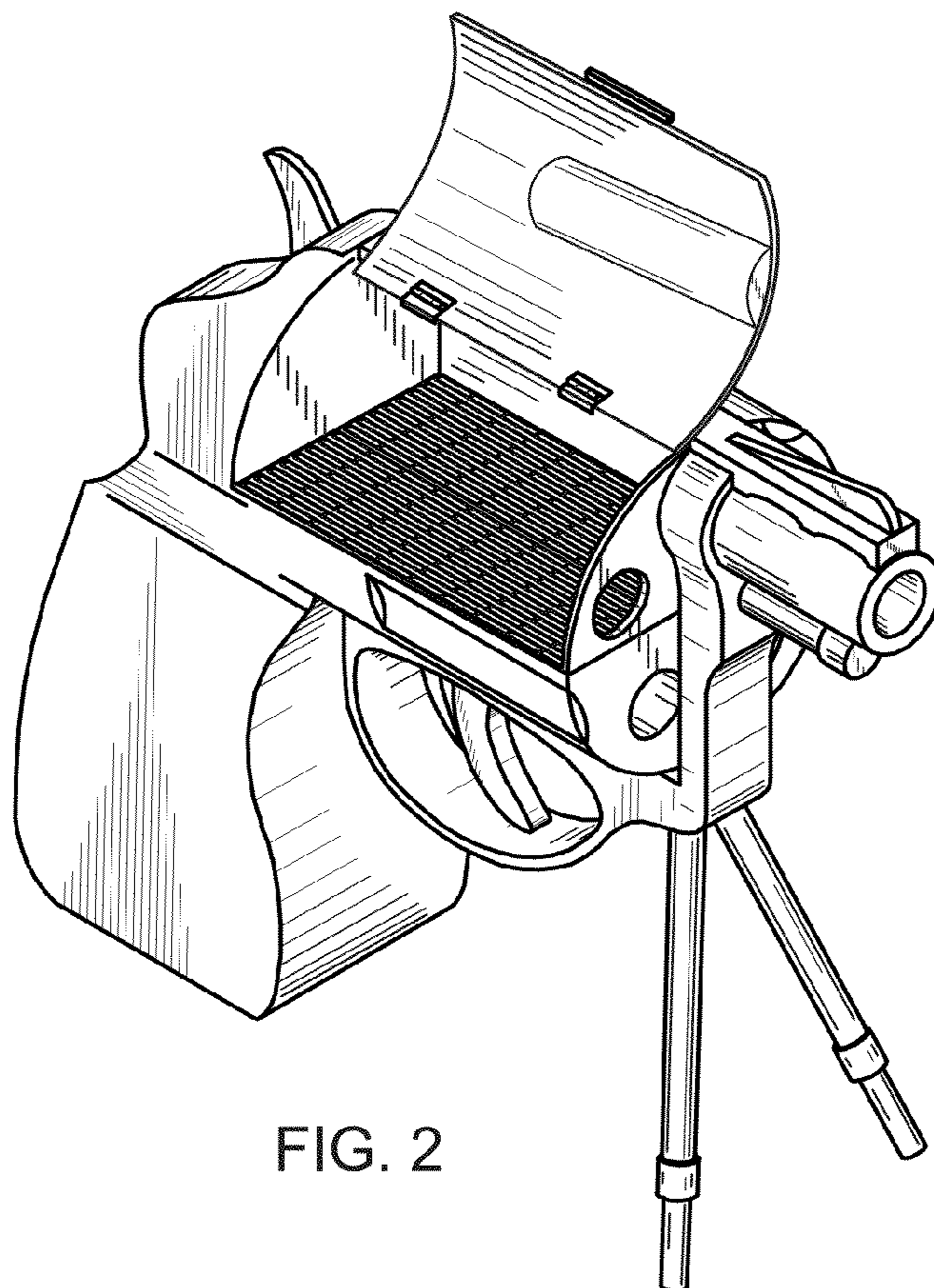


FIG. 2

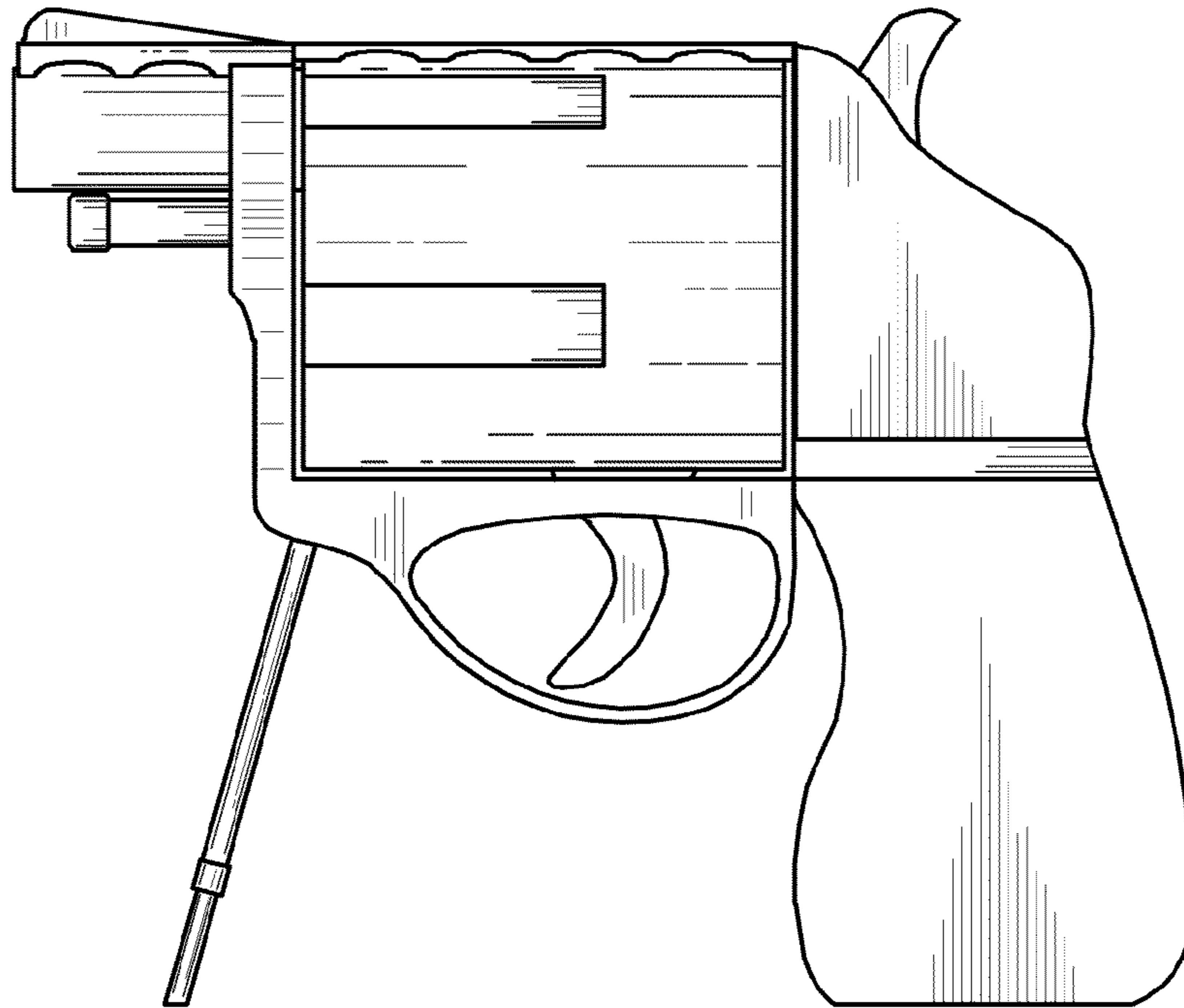


FIG. 3

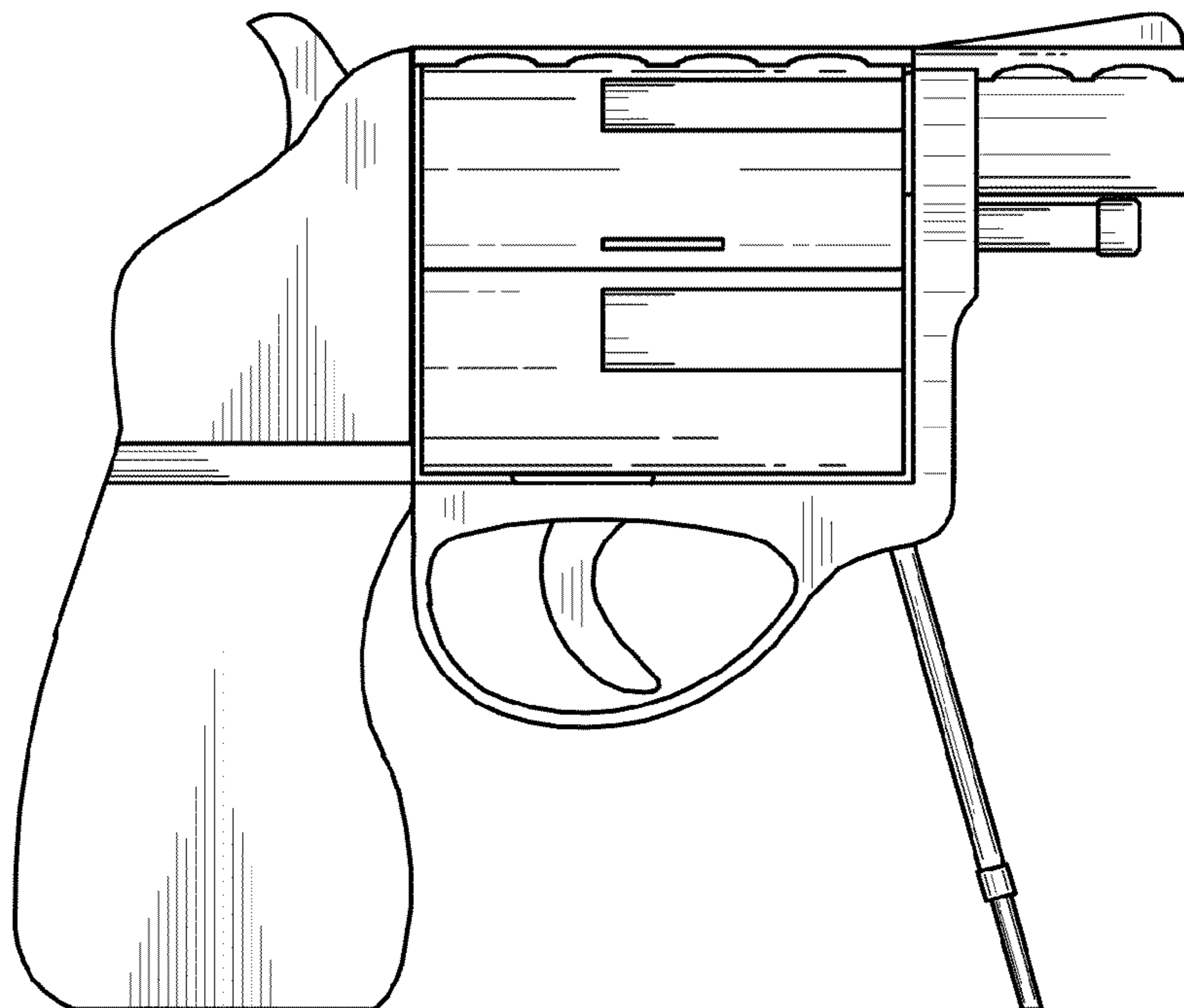


FIG. 4

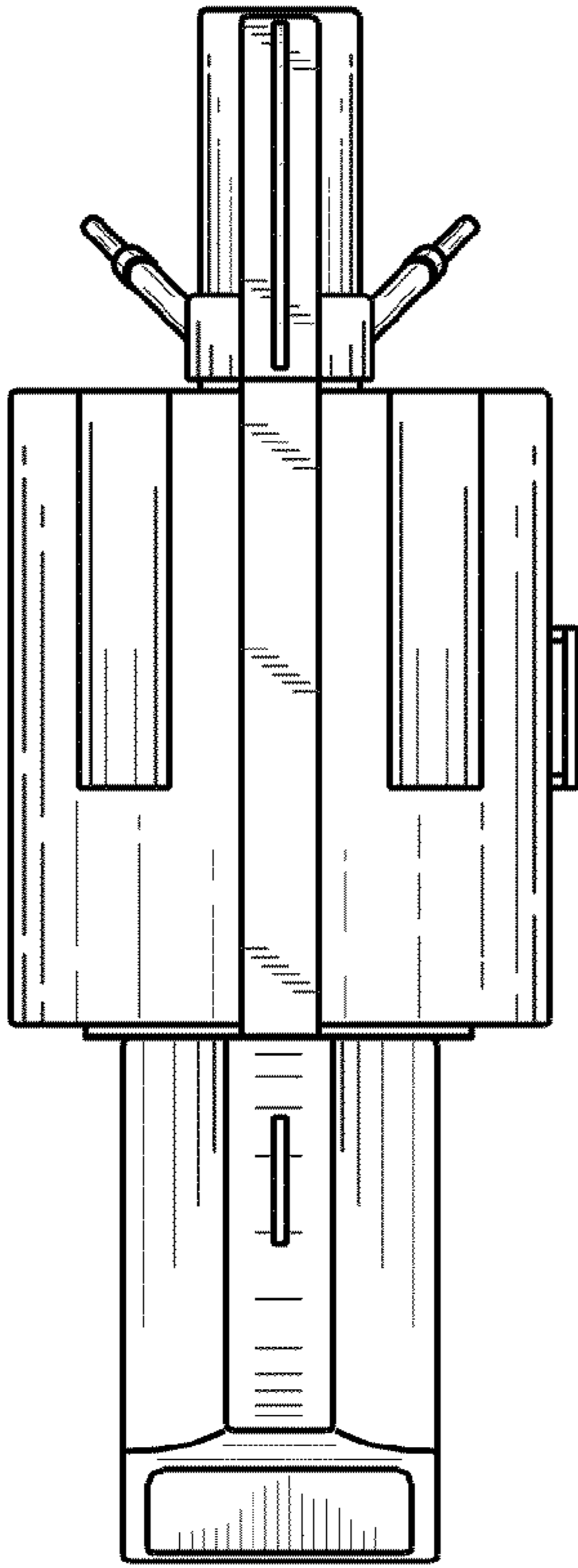


FIG. 7

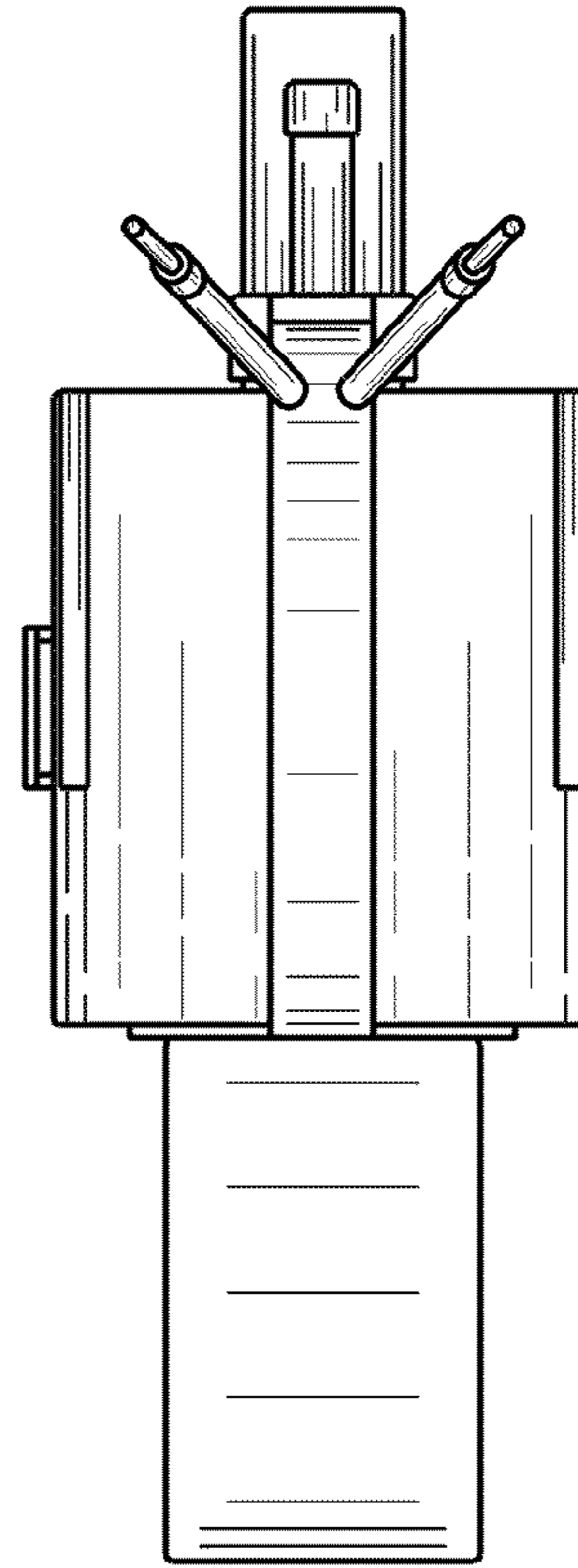


FIG. 8

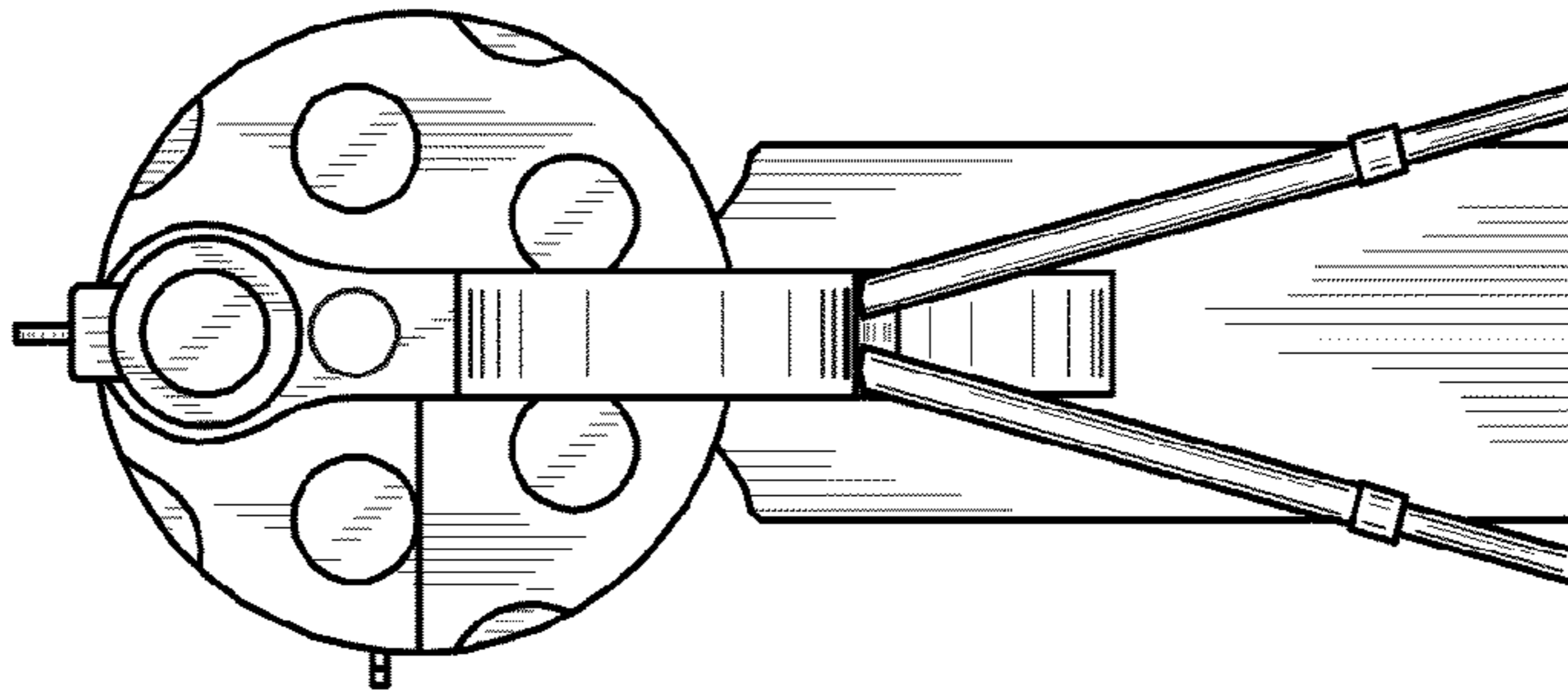


FIG. 6

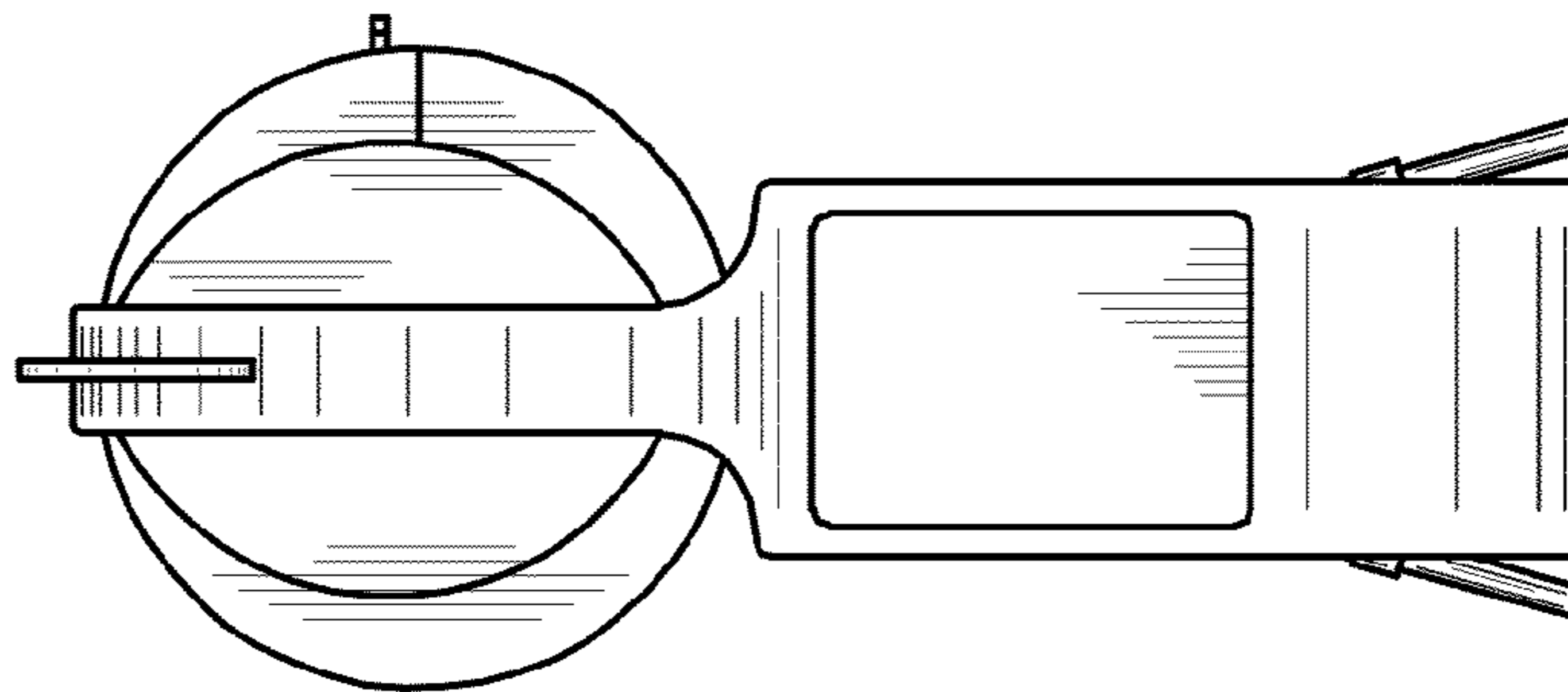


FIG. 5

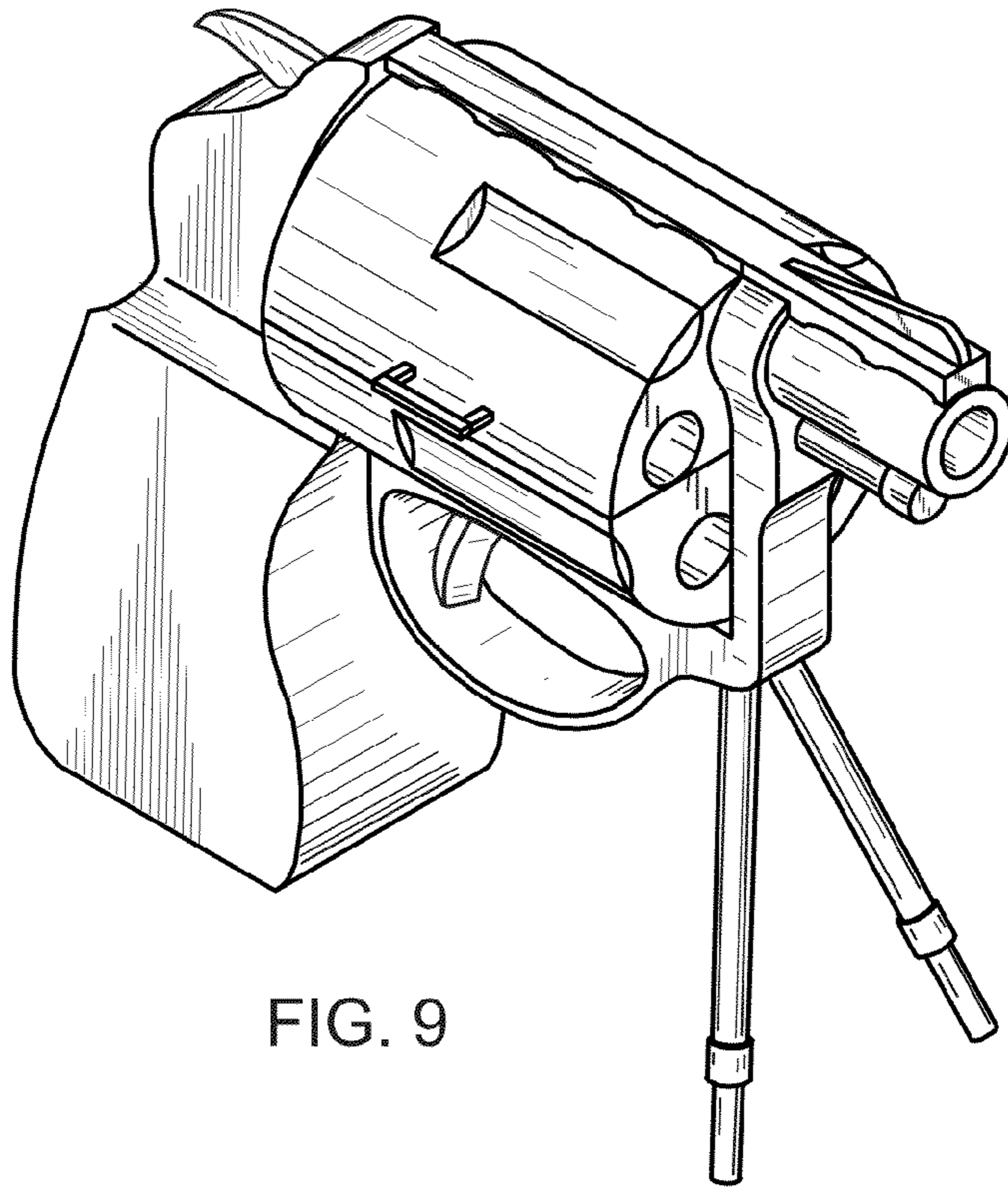


FIG. 9

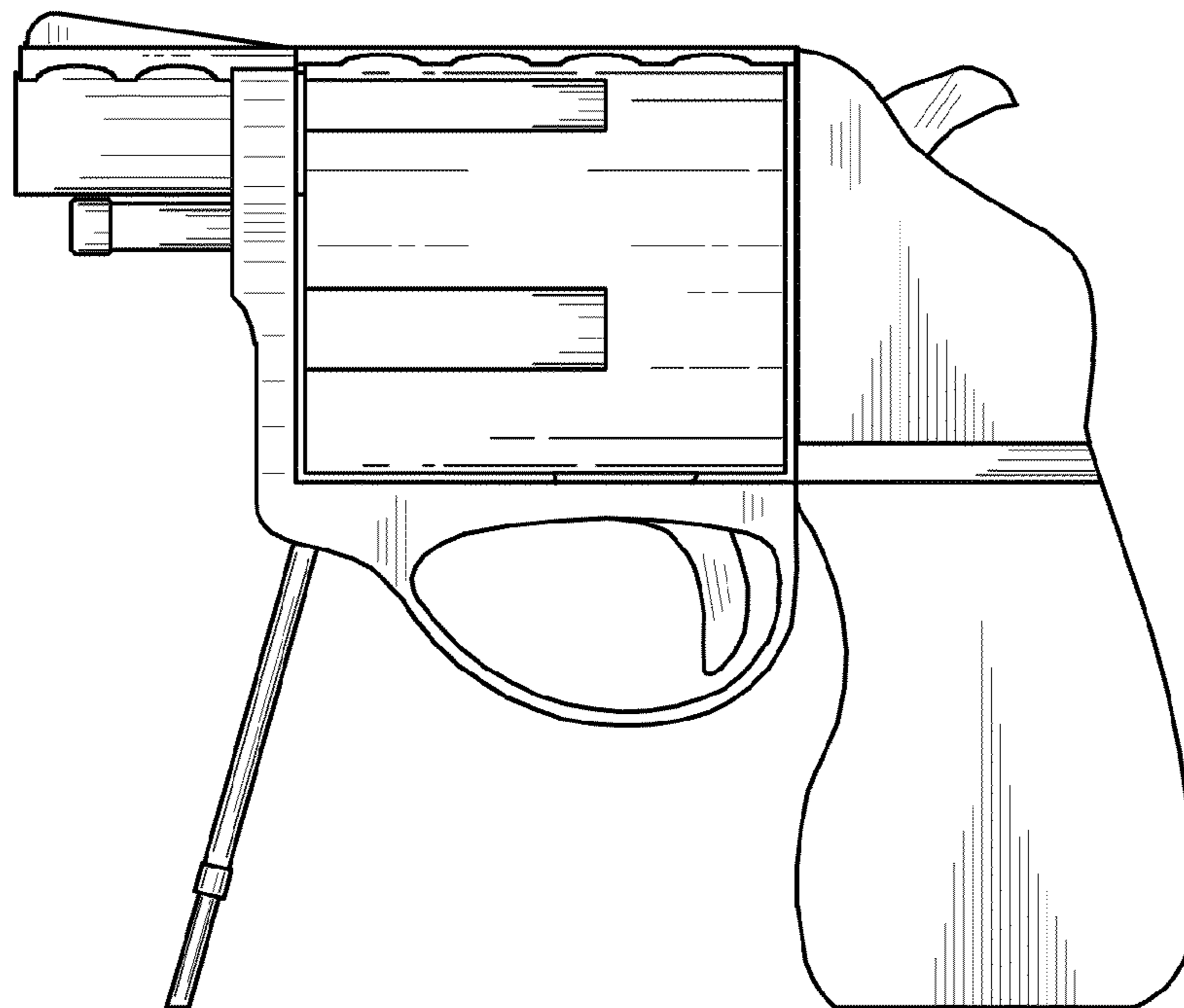


FIG. 10