



US00D677104S

(12) **United States Design Patent**
De'Longhi

(10) **Patent No.:** **US D677,104 S**
(45) **Date of Patent:** **** Mar. 5, 2013**

(54) **KETTLE**
(75) Inventor: **Giuseppe De'Longhi**, Treviso (IT)
(73) Assignee: **De'Longhi Appliances S.R.L. Con Unico Socio**, Treviso (IT)

D179,198 S * 11/1956 Graham D7/321
D281,479 S * 11/1985 Zimmermann D7/317
D308,926 S * 7/1990 Zivin D7/319
D313,529 S * 1/1991 Bormioli D7/317
5,158,216 A * 10/1992 Viani 222/465.1
D495,917 S * 9/2004 Watanabe D7/318
D605,455 S * 12/2009 Bodum D7/318

(**) Term: **14 Years**
(21) Appl. No.: **29/403,786**
(22) Filed: **Oct. 11, 2011**

* cited by examiner
Primary Examiner — Marianne Pandozzi
(74) *Attorney, Agent, or Firm* — Eckert Seamans Cherin & Mellott, LLC; Carol A. Marmo

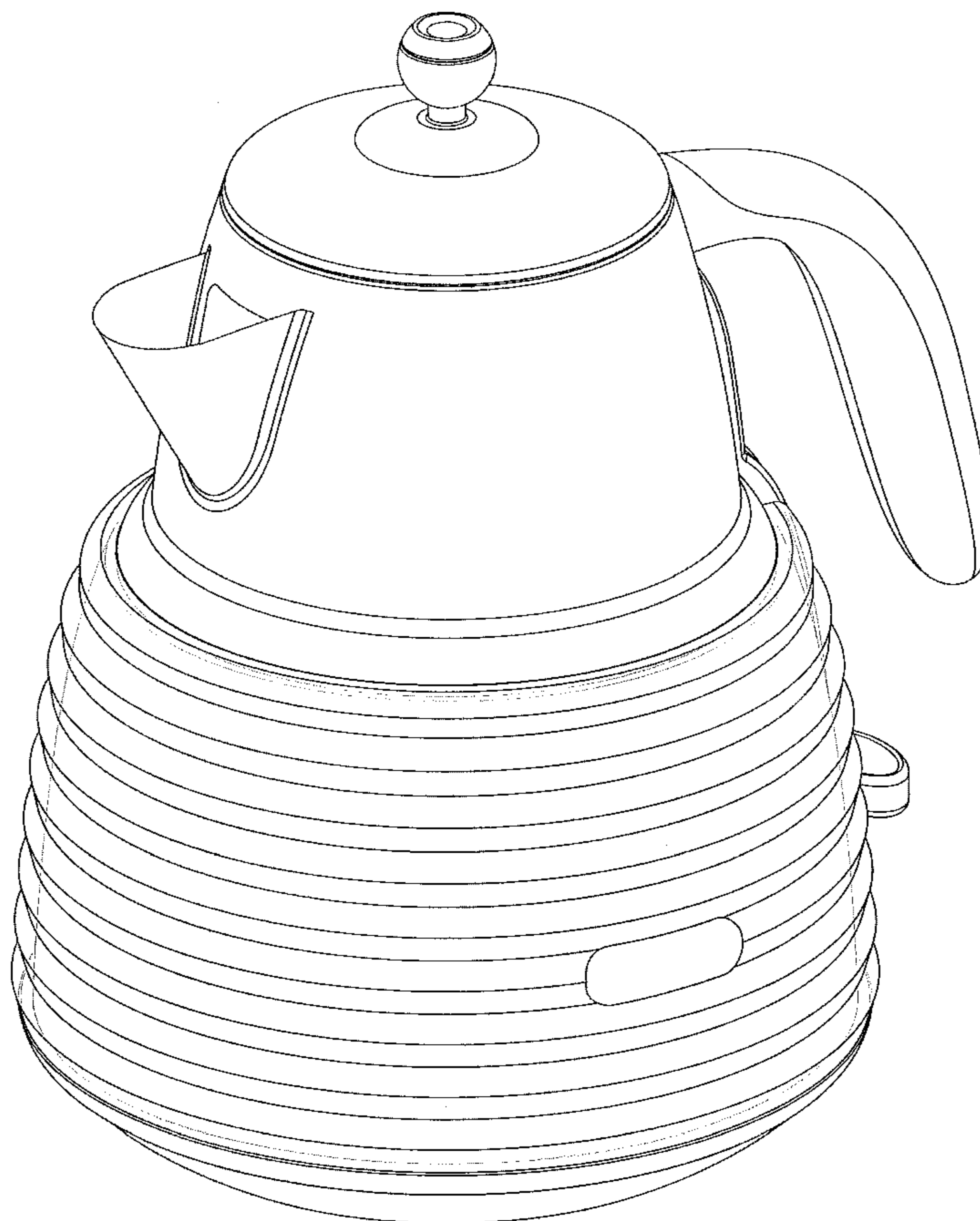
(30) **Foreign Application Priority Data**
Apr. 11, 2011 (EP) 001270854-0001
Apr. 11, 2011 (EP) 001270854-0002
(51) **LOC (9) Cl.** **07-01**
(52) **U.S. Cl.** **D7/321; D7/318**
(58) **Field of Classification Search** D7/322,
D7/321, 318, 319, 312; 99/297, 287; 215/12.1;
222/129.1
See application file for complete search history.

(57) **CLAIM**
The ornamental design for a kettle, as shown and described.

(56) **References Cited**
U.S. PATENT DOCUMENTS
D63,882 S * 2/1924 Weiss D7/321
D103,286 S * 2/1937 Prouty D7/316

DESCRIPTION
FIG. 1 is a top perspective view of a kettle showing my new design;
FIG. 2 is a front elevational view thereof;
FIG. 3 is a rear elevational view thereof;
FIG. 4 is a right side elevational view thereof;
FIG. 5 is a left side elevational view thereof;
FIG. 6 is a top plan view thereof; and,
FIG. 7 is a bottom plan view thereof.

1 Claim, 7 Drawing Sheets



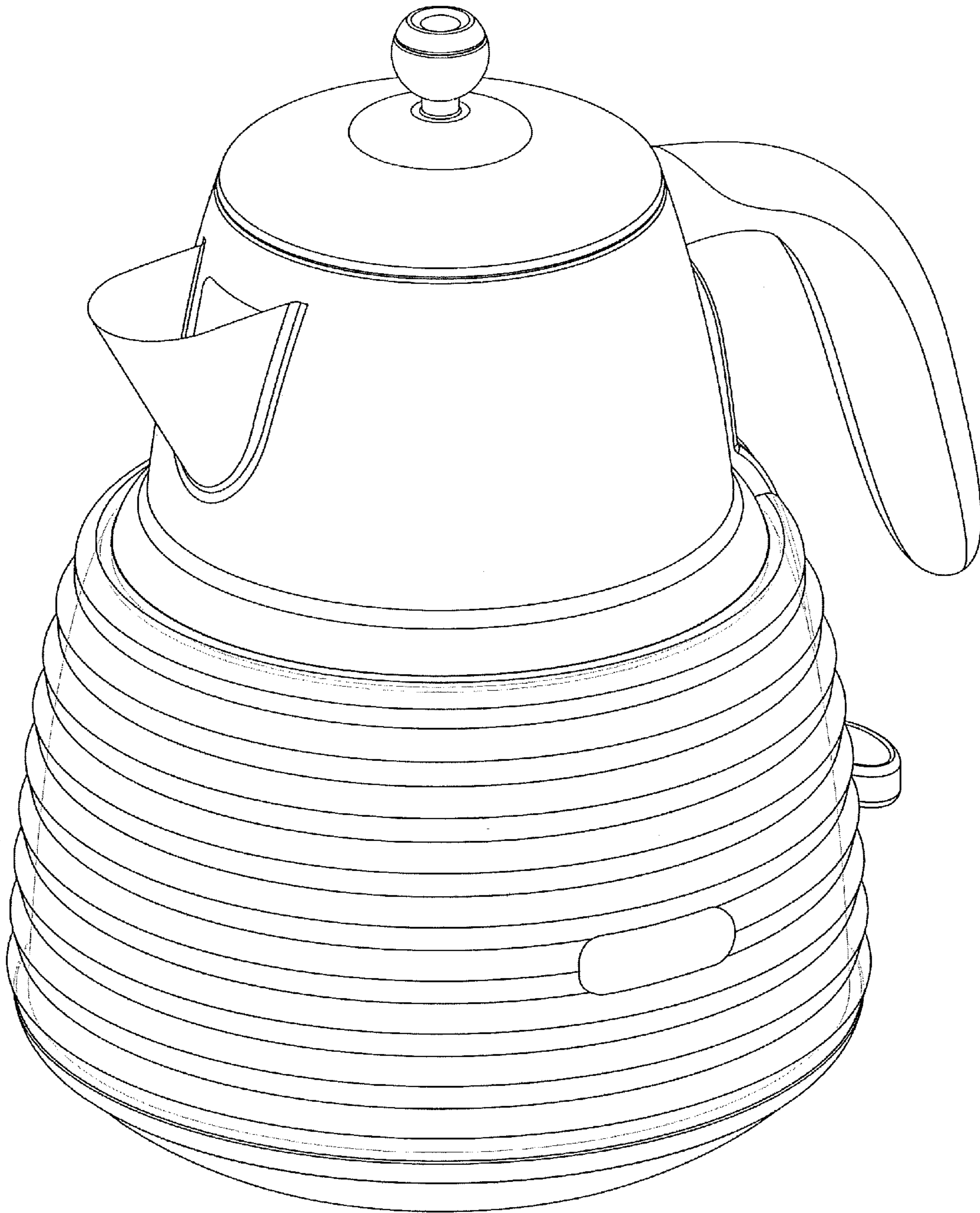


FIG. 1

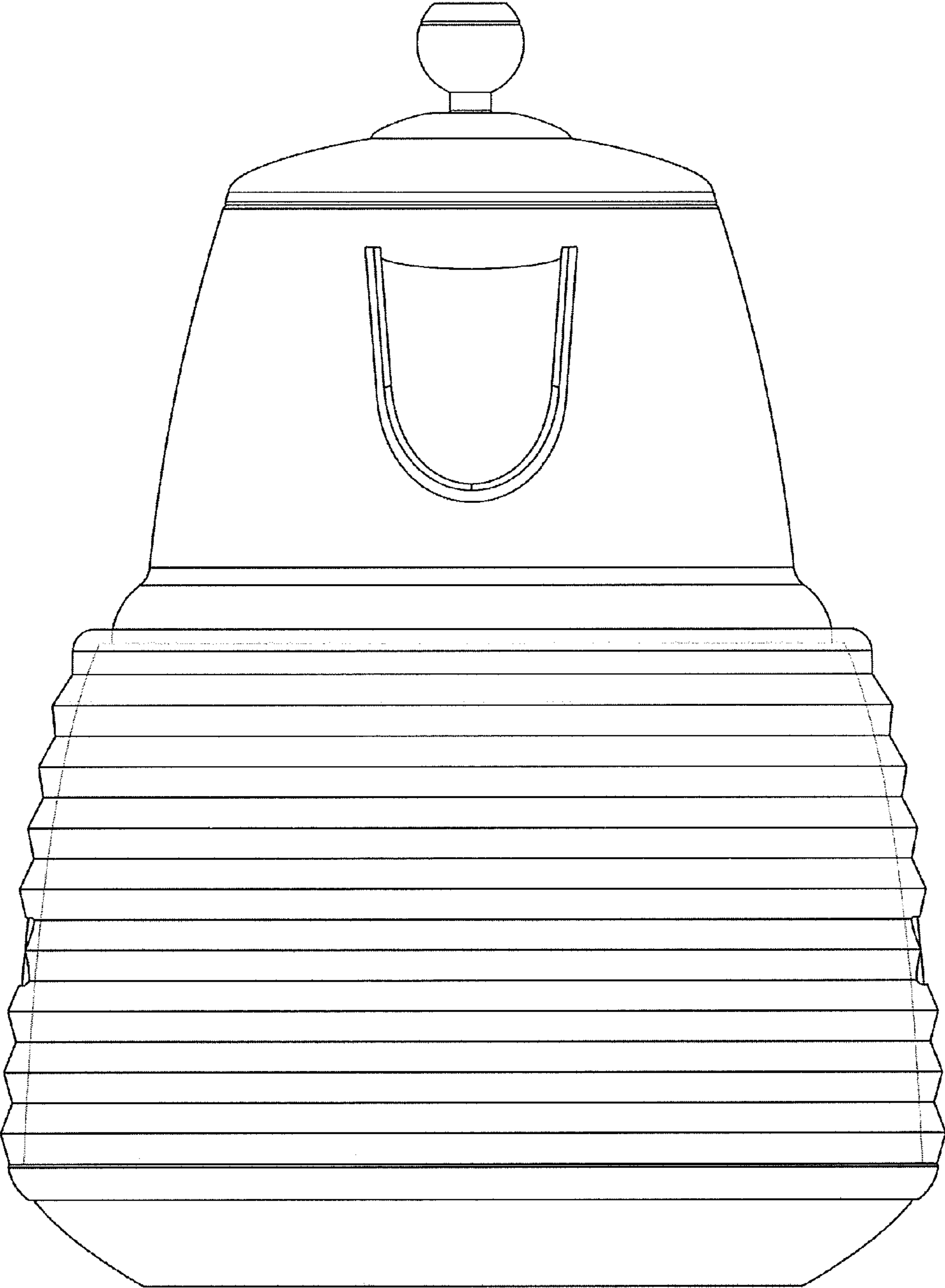


FIG. 2

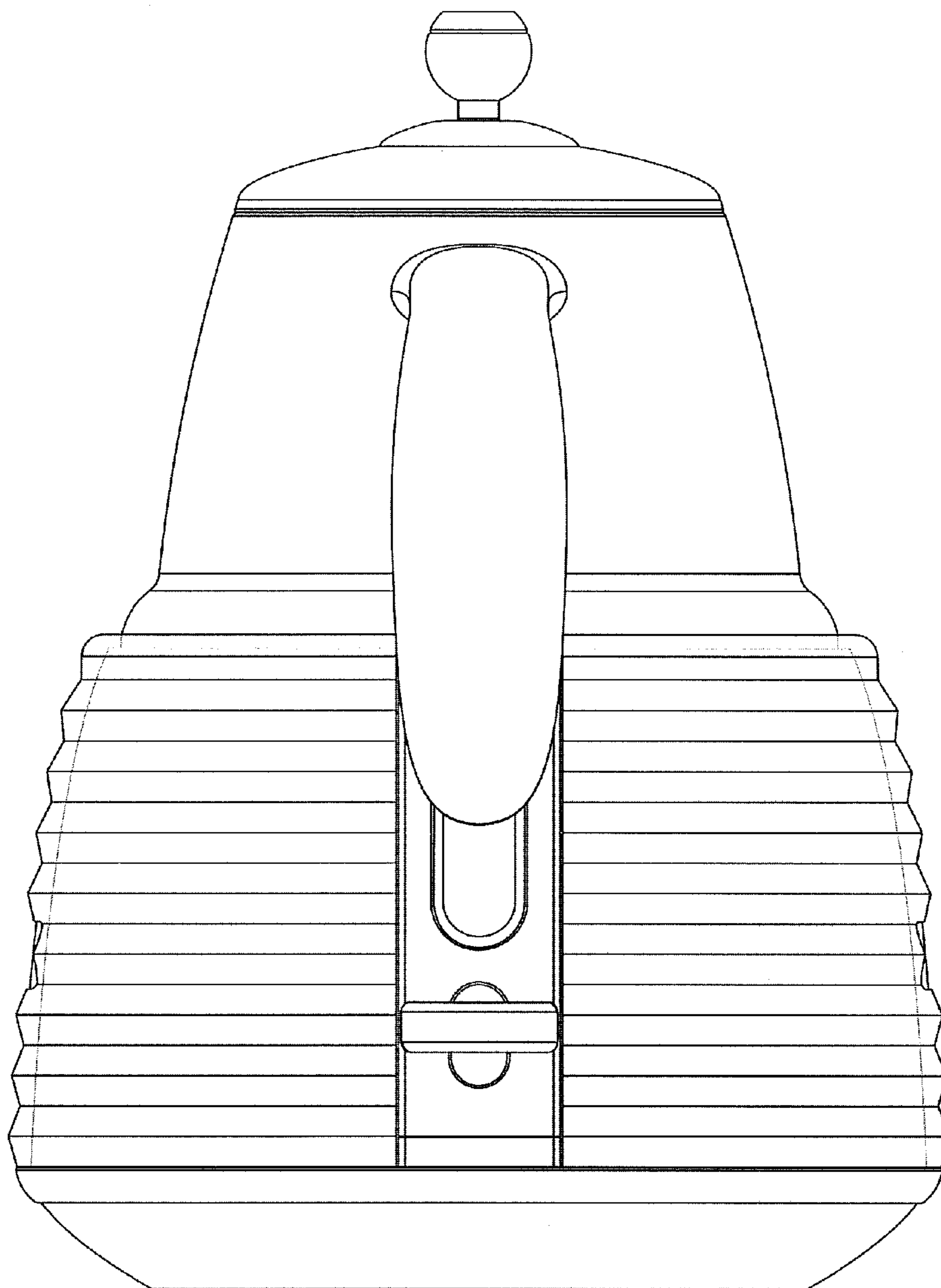


FIG. 3

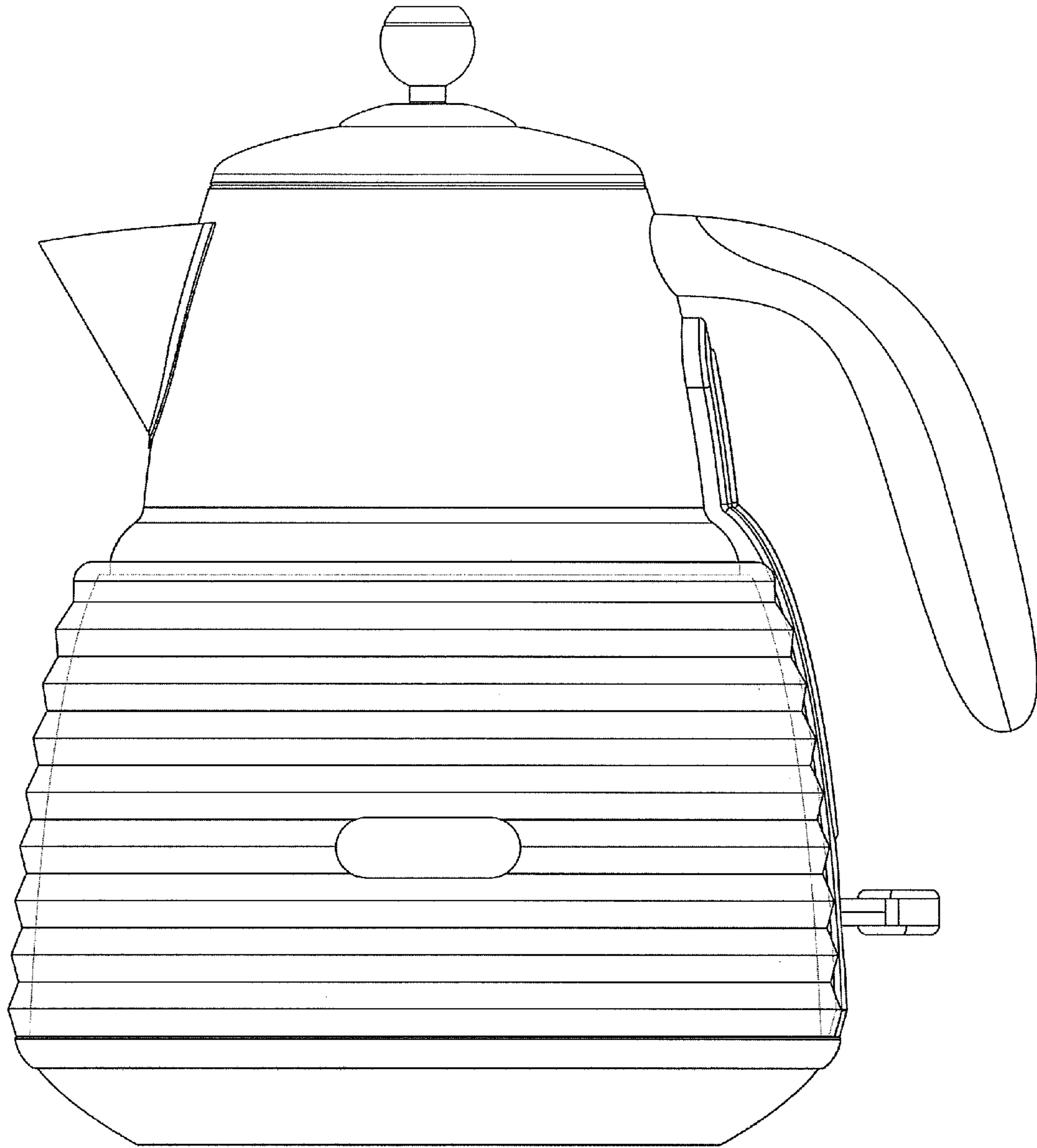


FIG. 4

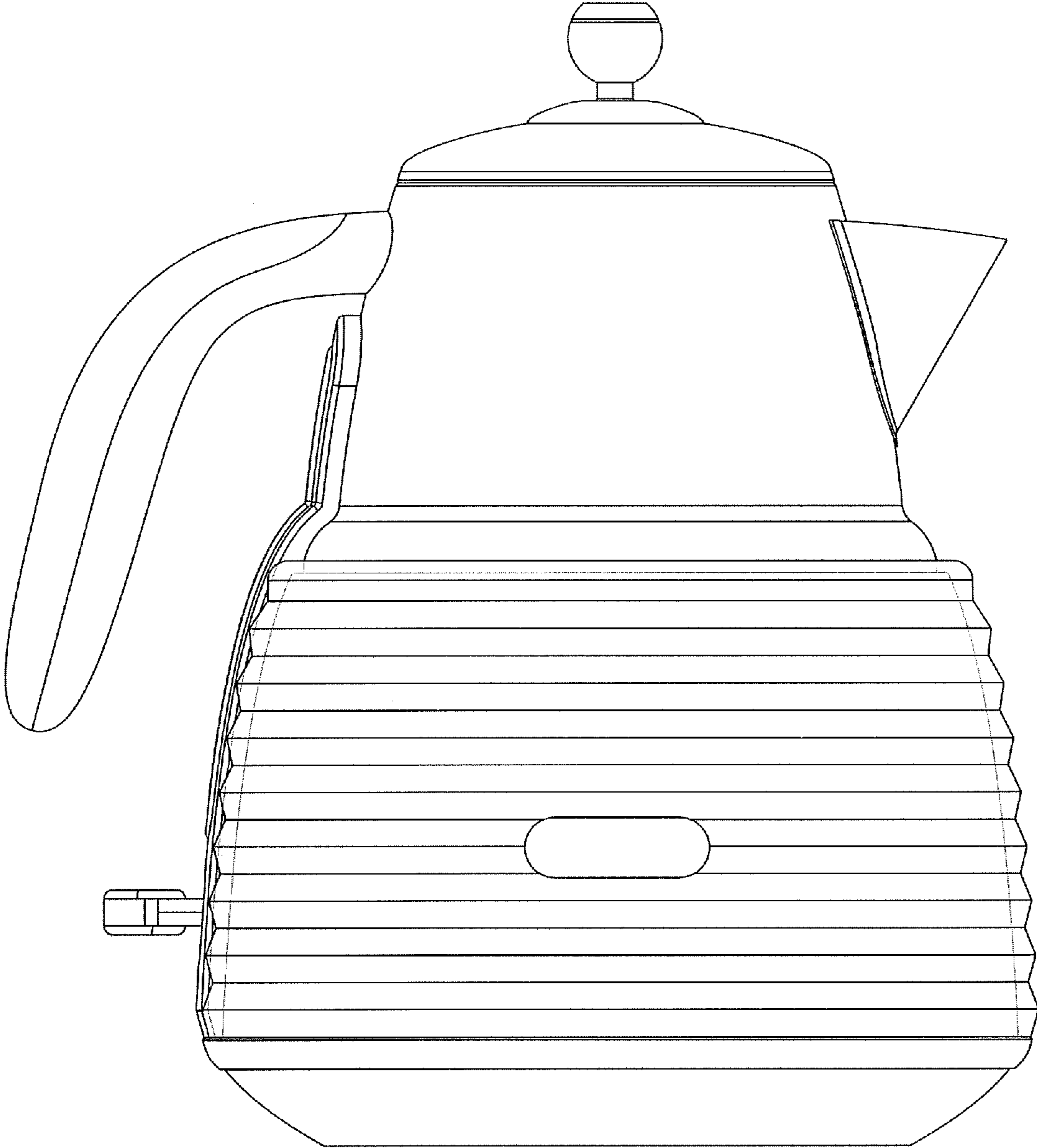


FIG. 5

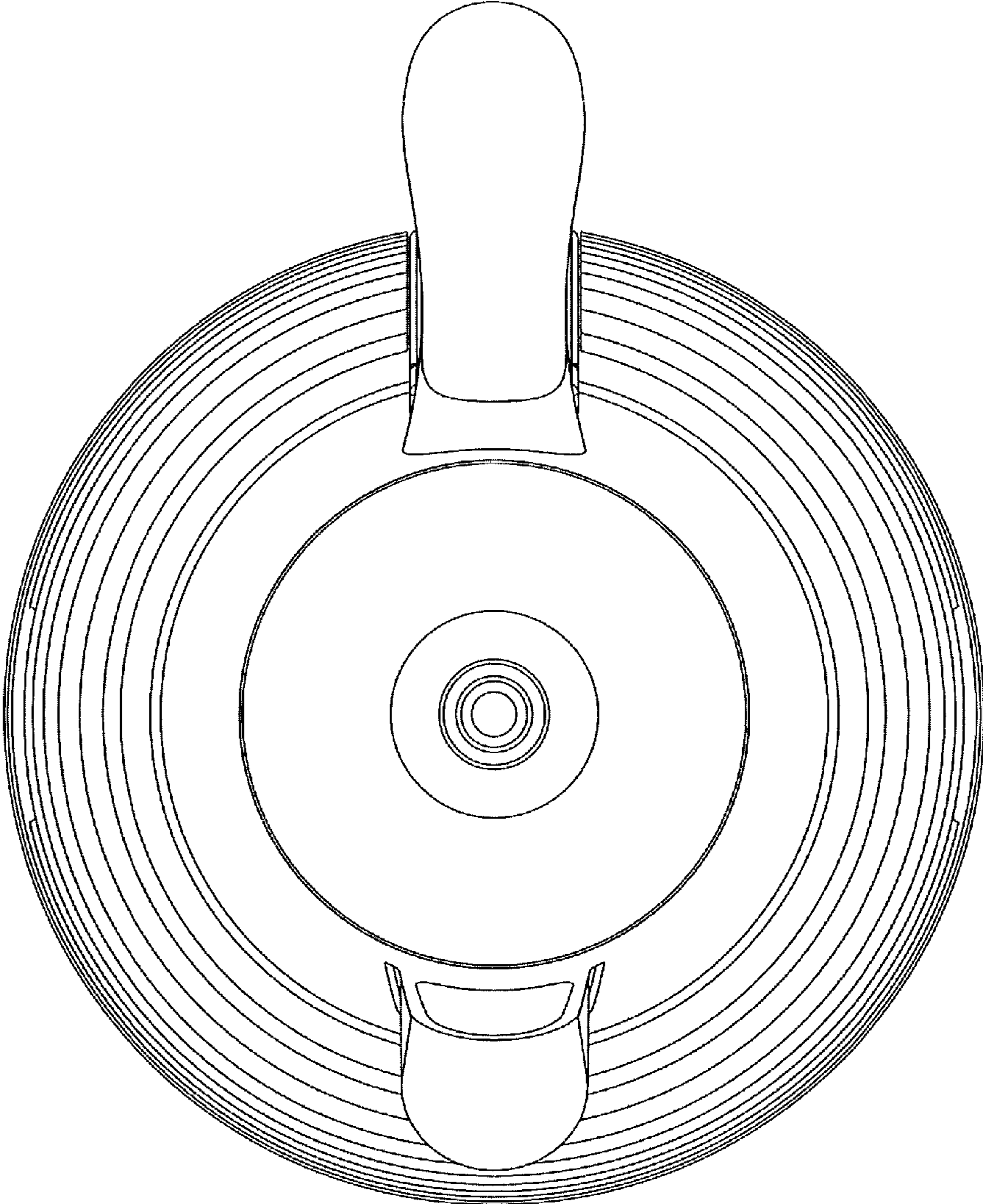


FIG. 6

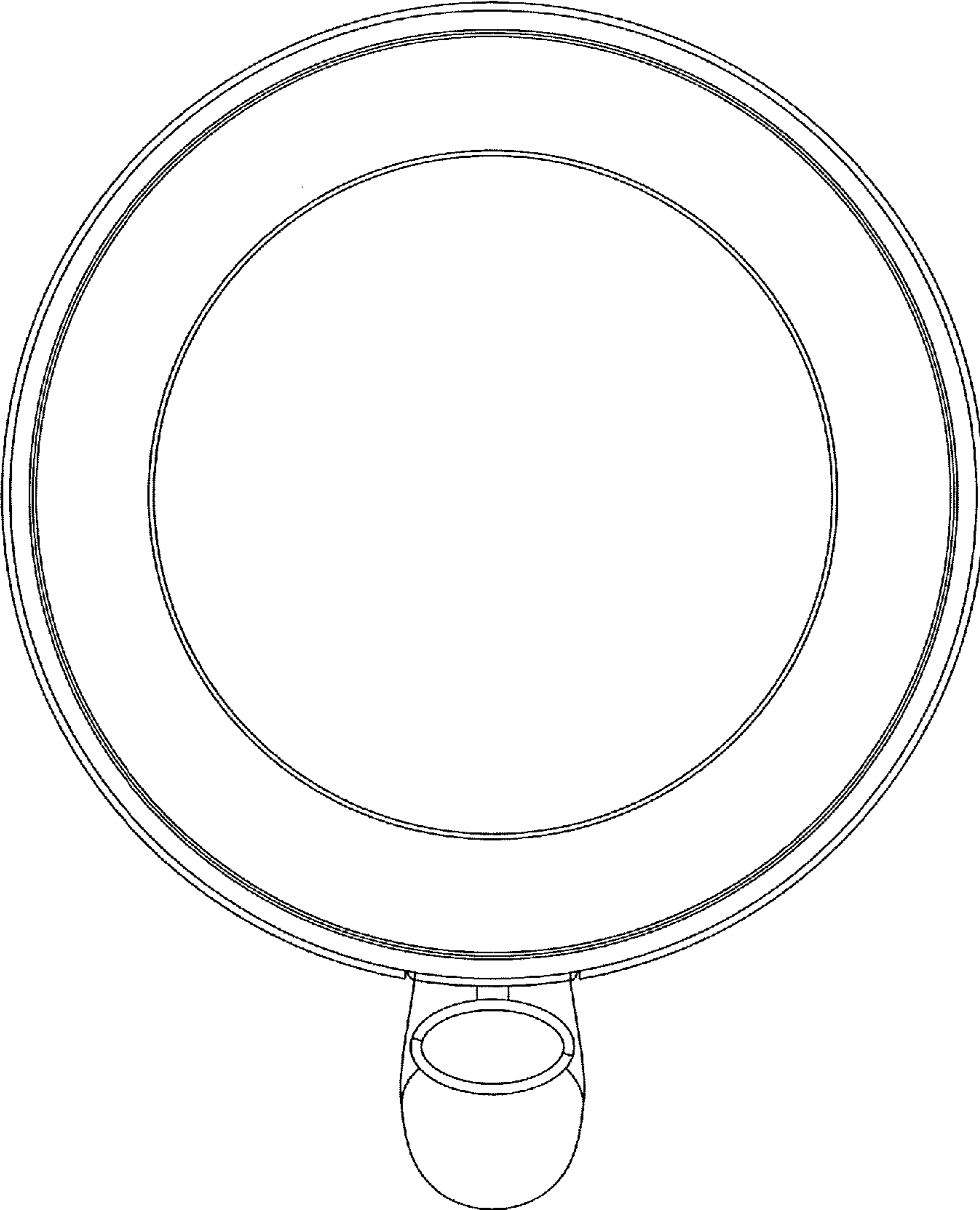


FIG. 7