



US00D677100S

(12) **United States Design Patent**  
**Amundson**

(10) **Patent No.:** **US D677,100 S**  
(45) **Date of Patent:** **\*\* Mar. 5, 2013**

(54) **THERMAL BEVERAGE DISPENSER**

(76) Inventor: **Daniel Scott Amundson**, Winona, MN  
(US)

(\*\*) Term: **14 Years**

(21) Appl. No.: **29/400,556**

(22) Filed: **Aug. 30, 2011**

(51) **LOC (9) Cl.** ..... **07-01**

(52) **U.S. Cl.** ..... **D7/306; D7/301; D7/313**

(58) **Field of Classification Search** ..... D7/306-311,  
D7/313, 301, 300; 99/306, 285, 295; 222/146.6  
See application file for complete search history.

(56) **References Cited**

**U.S. PATENT DOCUMENTS**

D75,151 S *	5/1928	Cordley	.....	D7/313
D169,793 S *	6/1953	Stelling	.....	D7/313
4,843,836 A	7/1989	Childers	.....	62/293
D304,247 S *	10/1989	Ross et al.	.....	D30/102
D335,625 S *	5/1993	Dolson	.....	D7/306
5,472,274 A	12/1995	Baillie	.....	366/129
5,509,583 A *	4/1996	Dolson	.....	222/185.1
5,732,567 A	3/1998	Anderson	.....	62/457.4
D414,647 S *	10/1999	Driscoll et al.	.....	D7/309
6,101,838 A	8/2000	Teague	.....	62/457.4

7,028,505 B2	4/2006	Cardinale	.....	69/372
D543,768 S *	6/2007	Ford	.....	D7/301
D591,098 S *	4/2009	Bruce	.....	D7/301
D599,159 S *	9/2009	Stein	.....	D7/306
7,669,726 B2	3/2010	Sun		

\* cited by examiner

*Primary Examiner* — Marianne Pandozzi

(74) *Attorney, Agent, or Firm* — Antonio Papageorgiou;  
Ostrow Kaufman LLP

(57) **CLAIM**

The ornamental design for a thermal beverage dispenser, as shown and described.

**DESCRIPTION**

FIG. 1 is a perspective view of a thermal beverage dispenser showing my new design;

FIG. 2 is a front view thereof;

FIG. 3 is a back view thereof;

FIG. 4 is a left side view thereof;

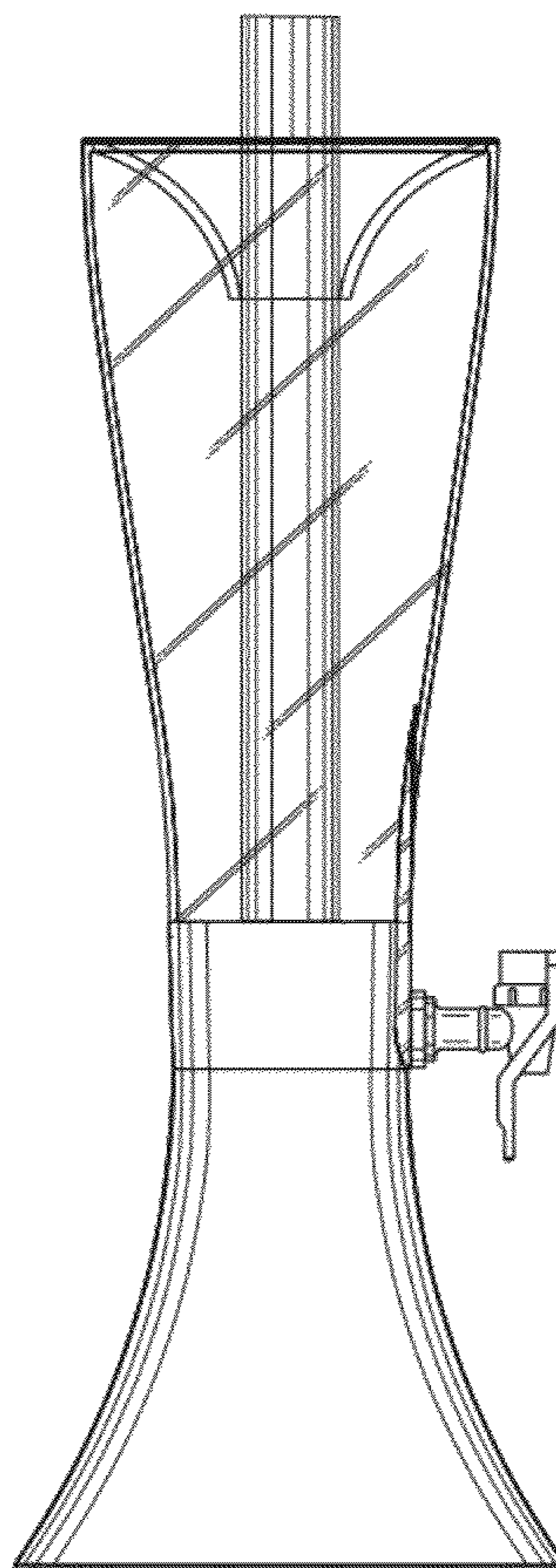
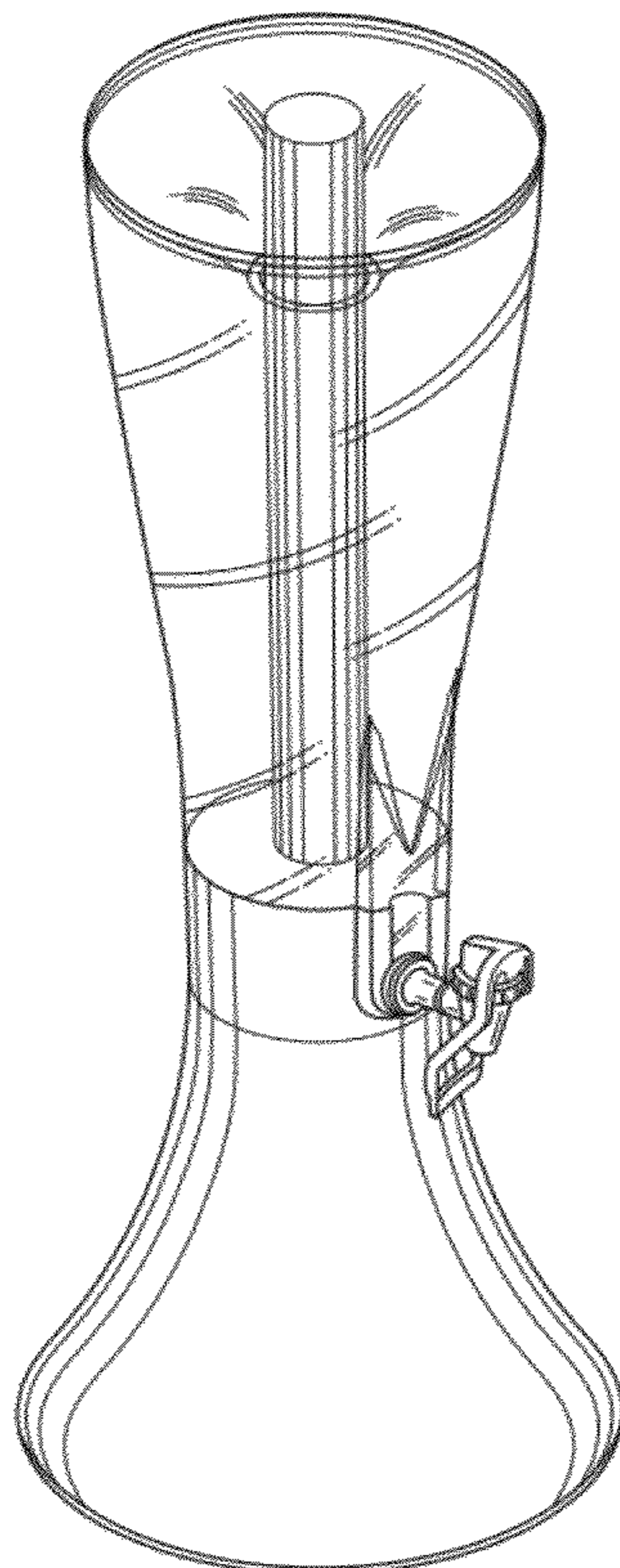
FIG. 5 is a right side view thereof;

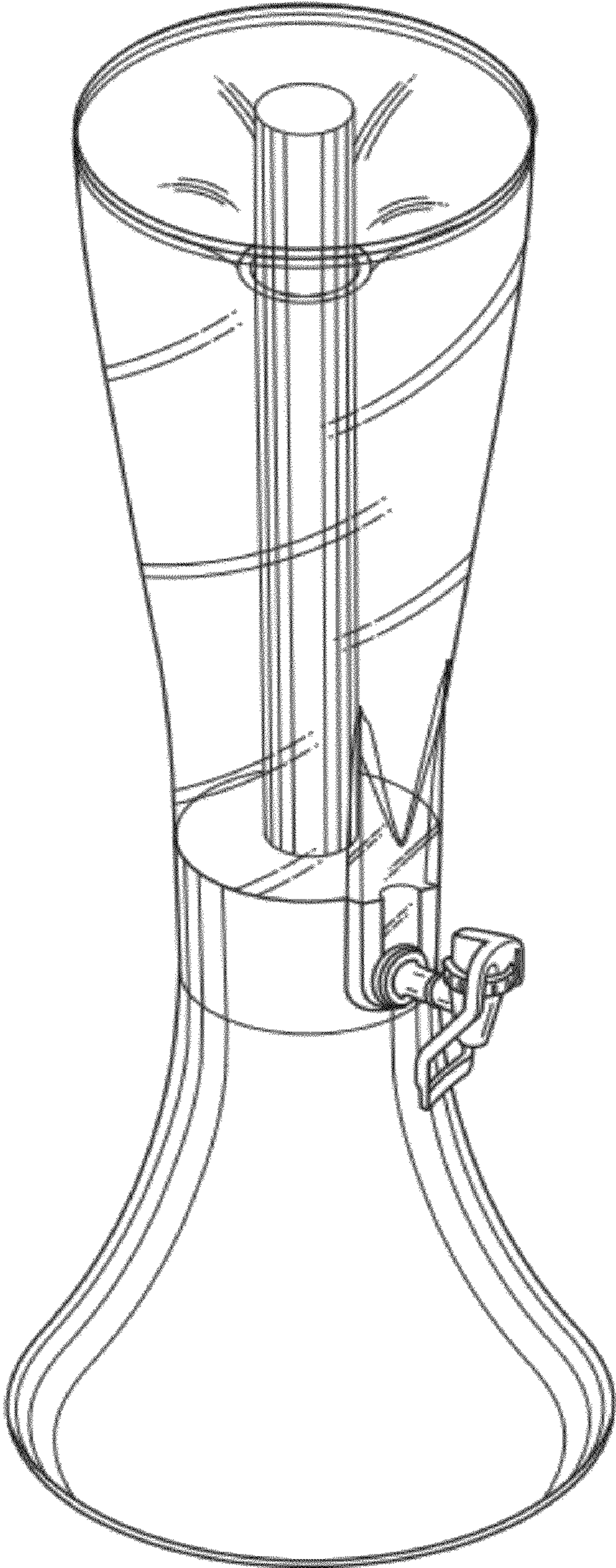
FIG. 6 is a top view thereof; and,

FIG. 7 is a bottom view thereof.

The broken lines in the drawings are included for the purpose of illustration and form no part of the claimed design.

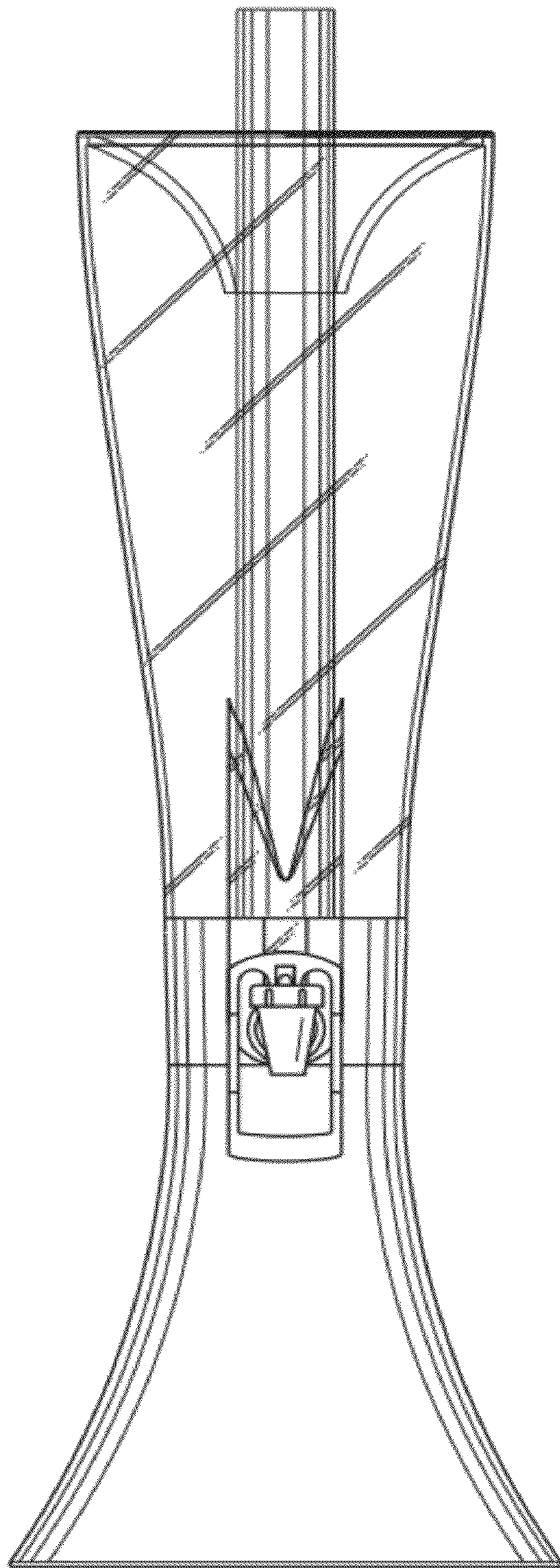
**1 Claim, 7 Drawing Sheets**



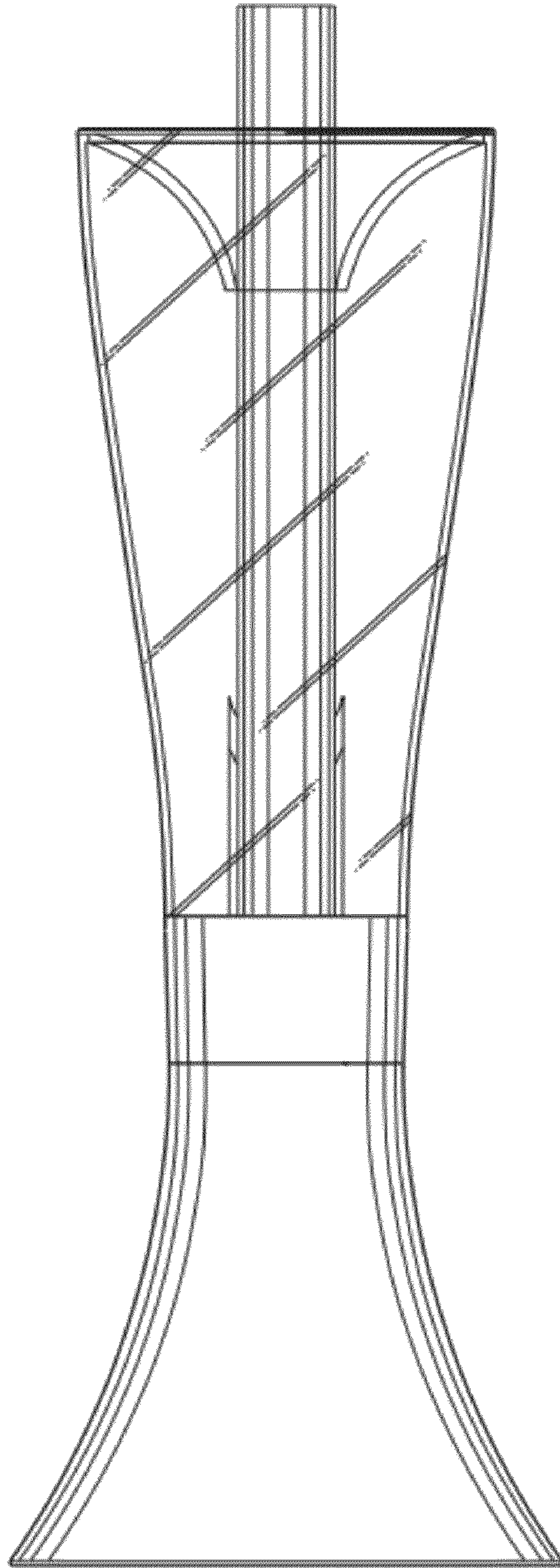


**FIG. 1**



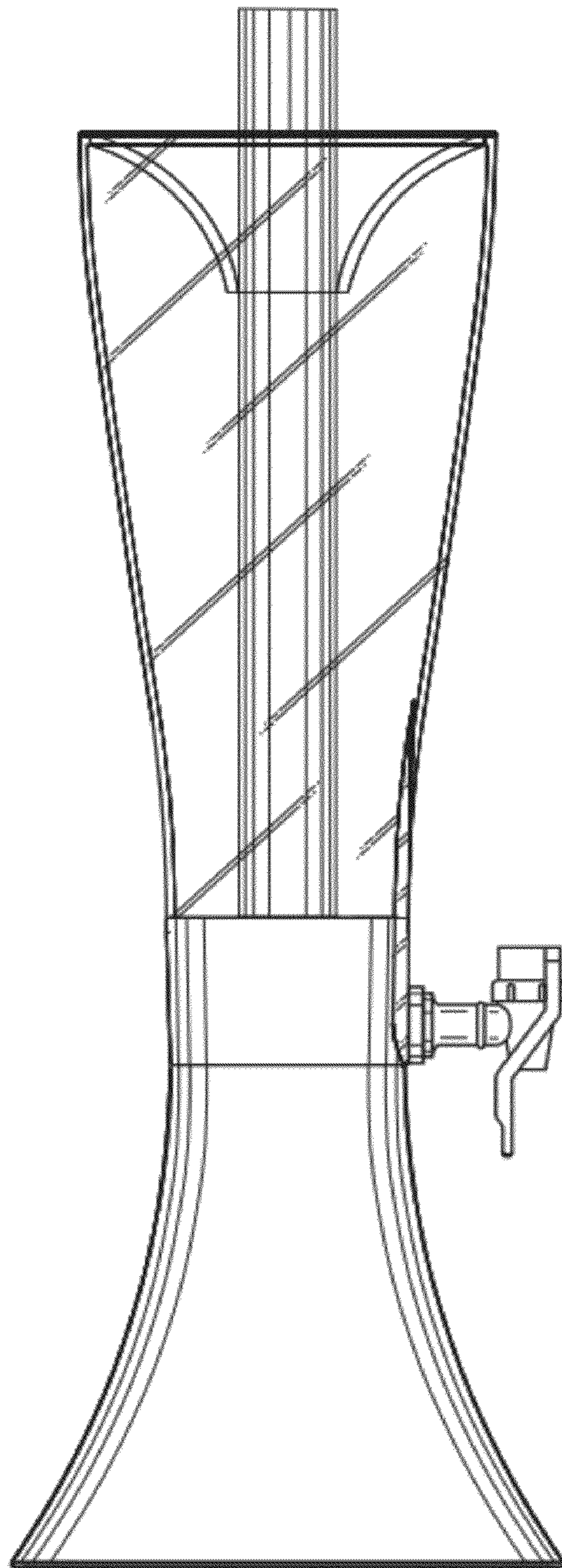


**FIG. 2**

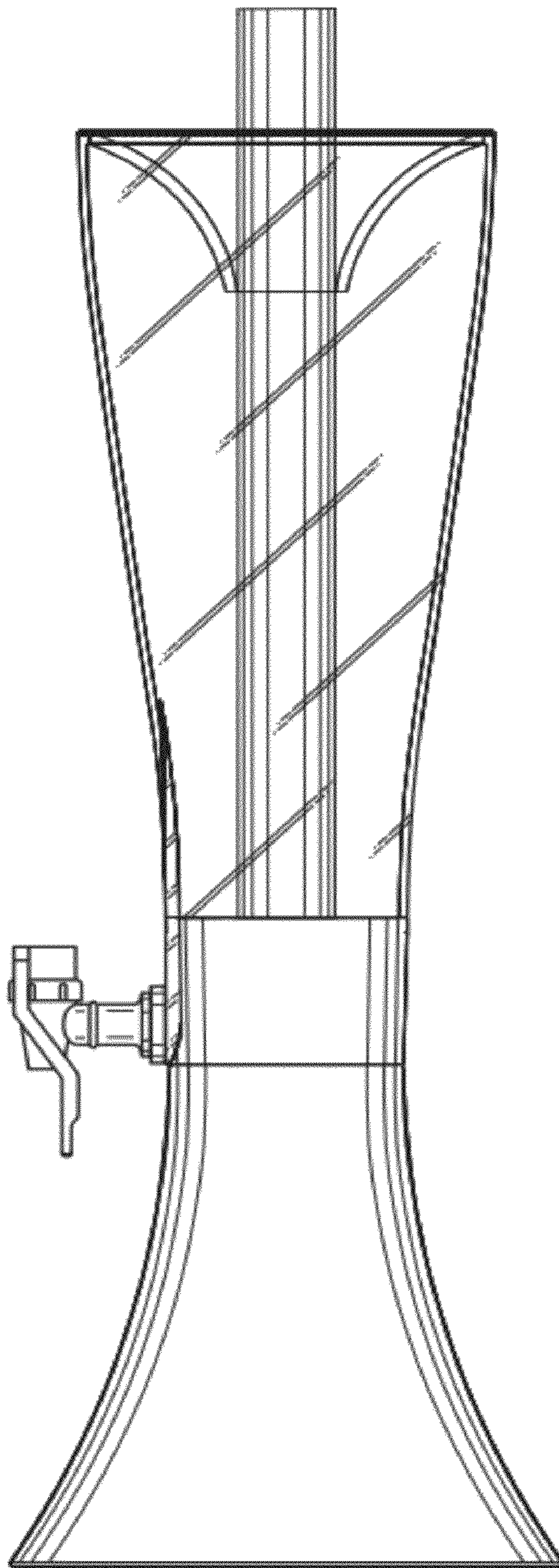


**FIG. 3**



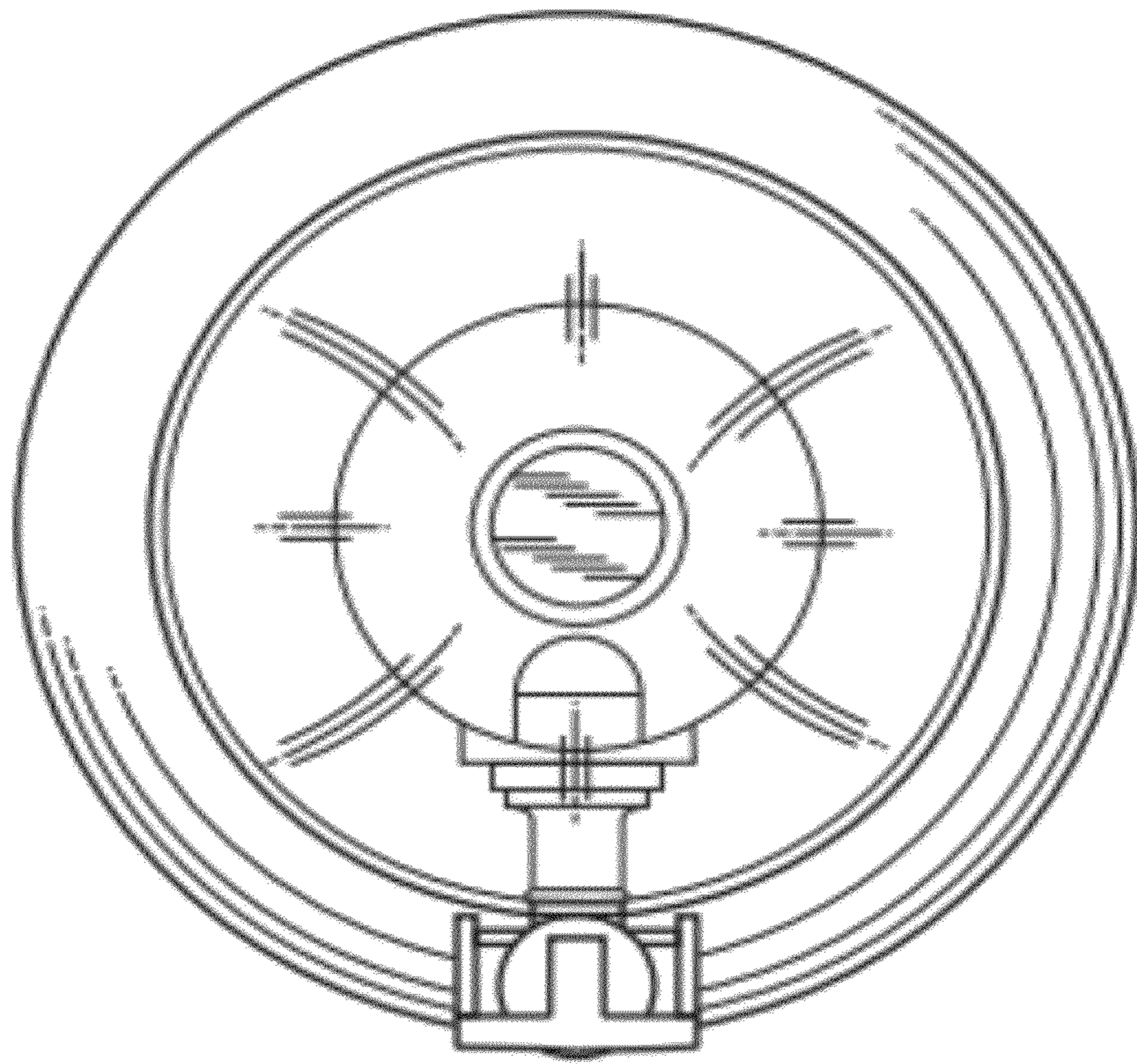


**FIG. 4**

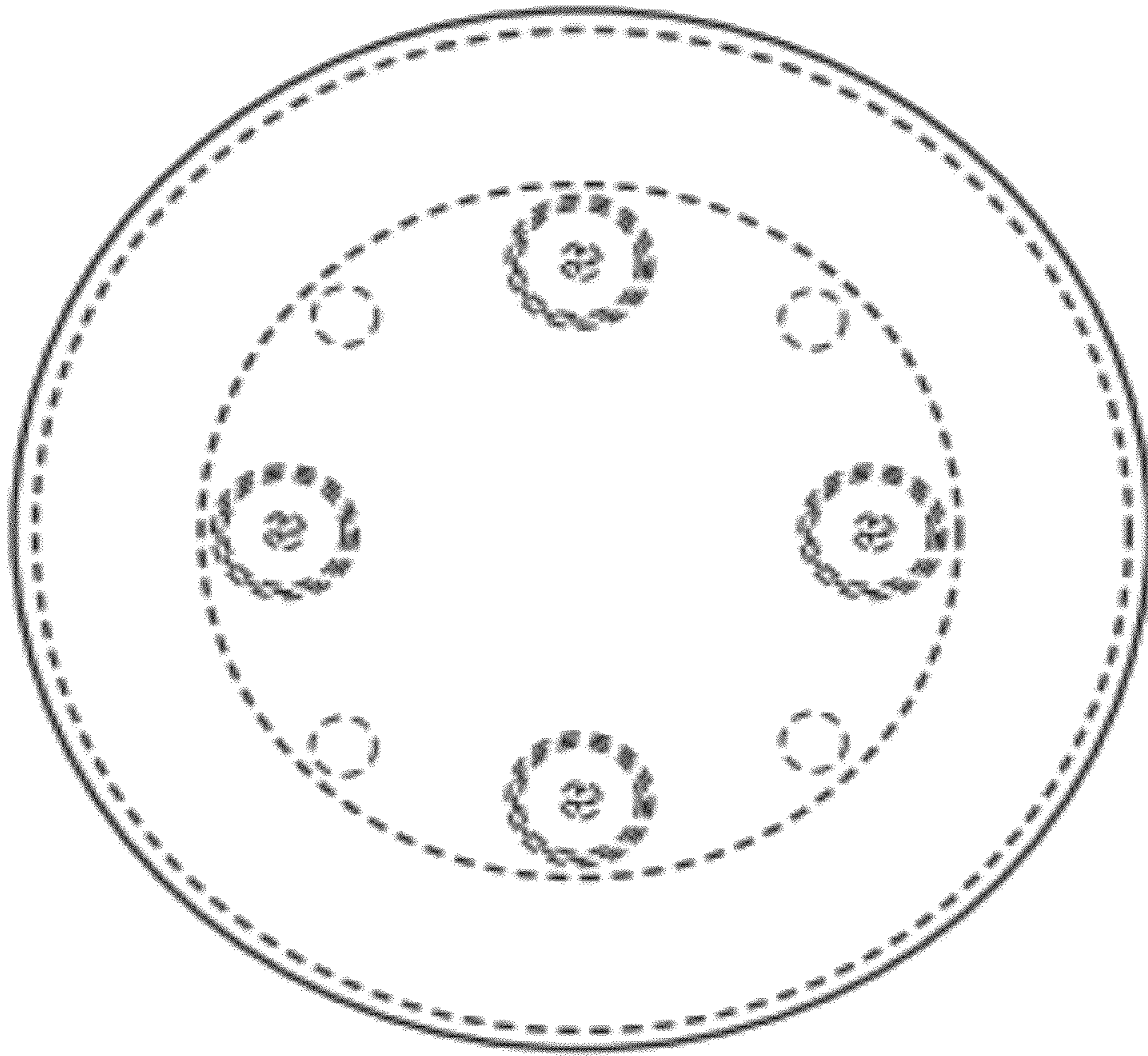


**FIG. 5**





**FIG. 6**



**FIG. 7**