

US00D677098S

(12) **United States Design Patent**
Watanabe et al.

(10) **Patent No.:** **US D677,098 S**
(45) **Date of Patent:** **** Mar. 5, 2013**

(54) **CASE FOR A RECORDING MEDIA**

(75) Inventors: **Atsushi Watanabe**, Tokyo (JP); **Ikuo Kubota**, Tokyo (JP); **Takamasa Araki**, Tokyo (JP)

(73) Assignee: **Sony Computer Entertainment Inc.**, Tokyo (JP)

(**) Term: **14 Years**

(21) Appl. No.: **29/371,927**

(22) Filed: **Jan. 30, 2012**

(30) **Foreign Application Priority Data**

Sep. 2, 2011 (JP) D2011-020001

(51) **LOC (9) Cl.** **06-04**

(52) **U.S. Cl.** **D6/629**

(58) **Field of Classification Search** D6/396-397,
D6/400, 405, 407, 462, 466-468, 626, 629-634;
D14/478-479; D19/75-76; 211/40, 41.12;
206/307.1

See application file for complete search history.

(56) **References Cited**

U.S. PATENT DOCUMENTS

4,518,080	A *	5/1985	Ohlson	206/39
D353,736	S *	12/1994	Wenkman	D6/571
D357,843	S *	5/1995	Real et al.	D6/629
D391,798	S	3/1998	Kirihara et al.		
D451,660	S *	12/2001	Segerstrom et al.	D6/630
D474,935	S *	5/2003	Goto	D6/631
D492,876	S *	7/2004	Goto	D6/631
D495,551	S *	9/2004	Goto	D6/631
D553,873	S *	10/2007	Fujino et al.	D6/407
D555,933	S *	11/2007	Fallander	D6/407
7,306,159	B1 *	12/2007	Rochelo	235/492
D561,472	S *	2/2008	Nakamura	D3/294
D593,561	S *	6/2009	Sheba	D14/435
D598,692	S *	8/2009	Kwan	D6/634
D613,293	S *	4/2010	Sheba	D14/435
D613,744	S *	4/2010	Sheba et al.	D14/435
D638,242	S *	5/2011	Lau	D6/634
2006/0144751	A1 *	7/2006	Tsang	206/707

FOREIGN PATENT DOCUMENTS

EM	000060835-0002	S	8/2003
JP	D1090330	S	11/2000
JP	D1303580	S	5/2007

OTHER PUBLICATIONS

Decision to Grant in Taiwanese Patent Application No. 101300432, dated Aug. 22, 2012.

Office Action issued in Russian Patent Application No. 2012500158, dated Oct. 25, 2012.

* cited by examiner

Primary Examiner — Kelley Donnelly

(74) *Attorney, Agent, or Firm* — Rader, Fishman & Grauer PLLC

(57) **CLAIM**

The ornamental design for a case for a recording media, as shown and described.

DESCRIPTION

FIG. 1 is a perspective view of a case for a recording media showing our new design;

FIG. 2 is a front elevational view thereof;

FIG. 3 is a rear elevational view thereof;

FIG. 4 is a left side elevational view thereof; and

FIG. 5 is a right side elevational view thereof;

FIG. 6 is a top plan view thereof;

FIG. 7 is a bottom plan view thereof.

FIG. 8 is another front elevational view thereof;

FIG. 9 is an enlarged front elevational view thereof along the line 9-9 of FIG. 8;

FIG. 10 is an enlarged cross sectional view thereof along the line 10-10 of FIG. 9;

FIG. 11 is another enlarged cross sectional view thereof along the line 11-11 of FIG. 9; and,

FIG. 12 is still another enlarged cross sectional view thereof along the line 12-12 of FIG. 9.

1 Claim, 8 Drawing Sheets

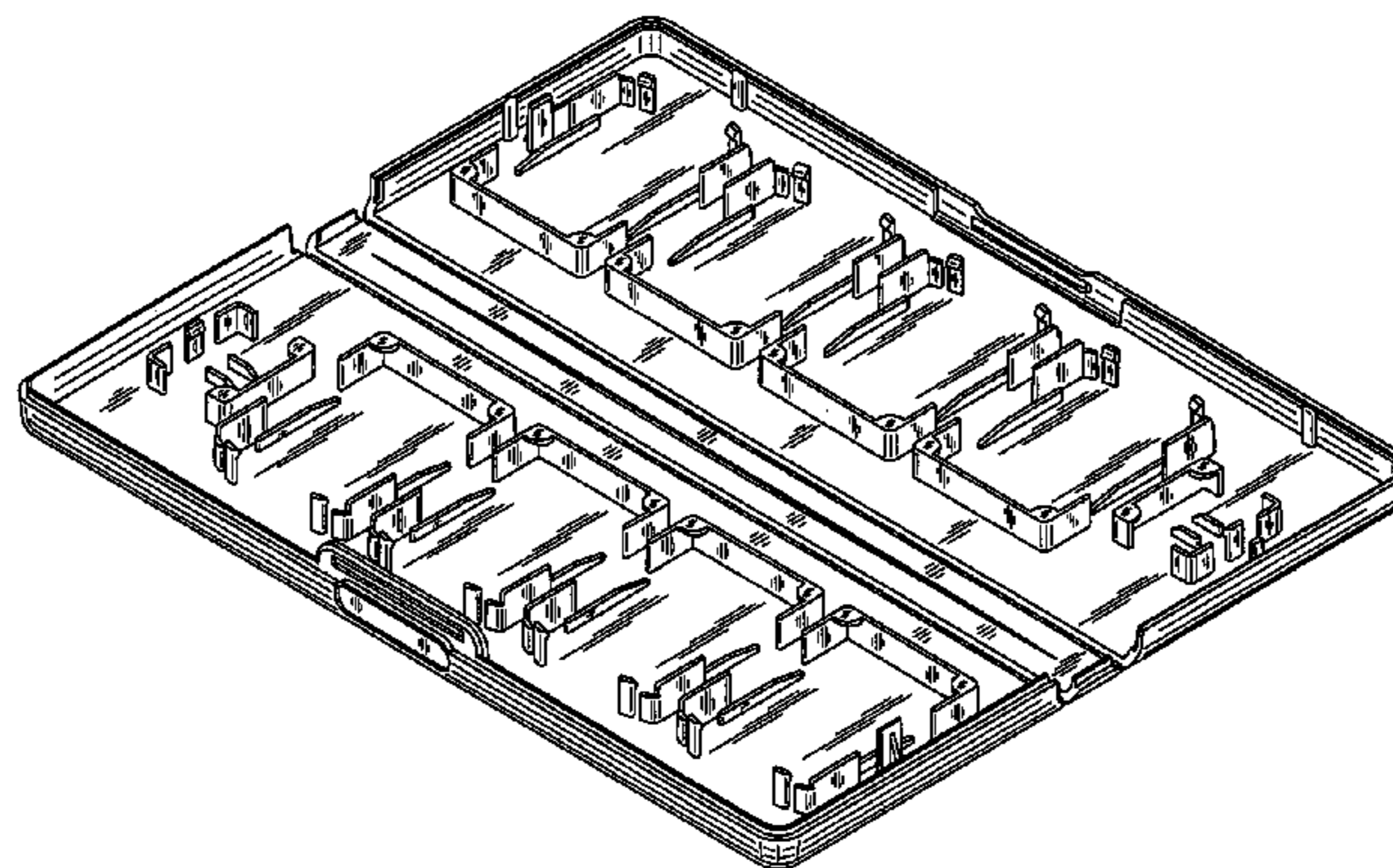


FIG. 1

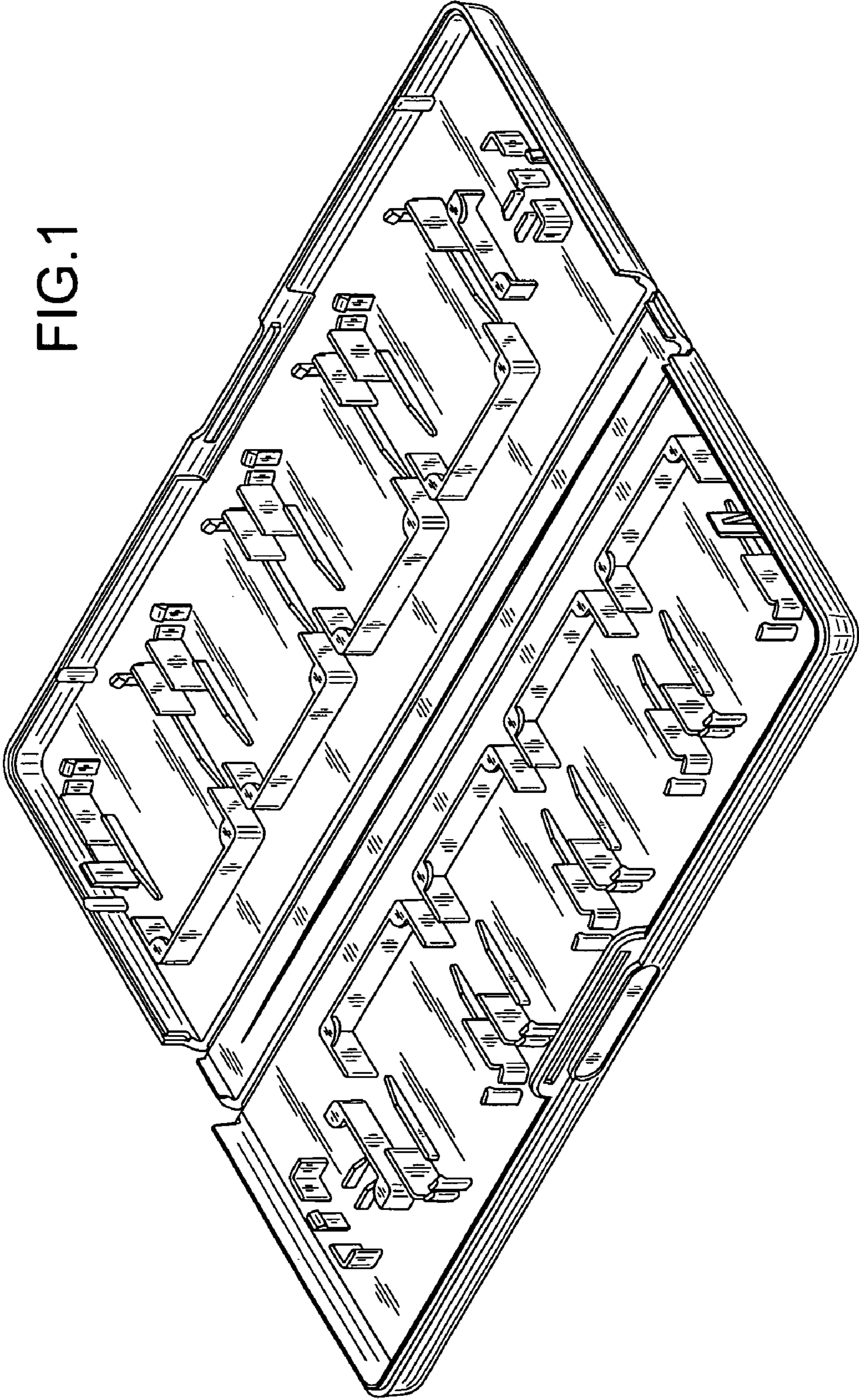


FIG.2

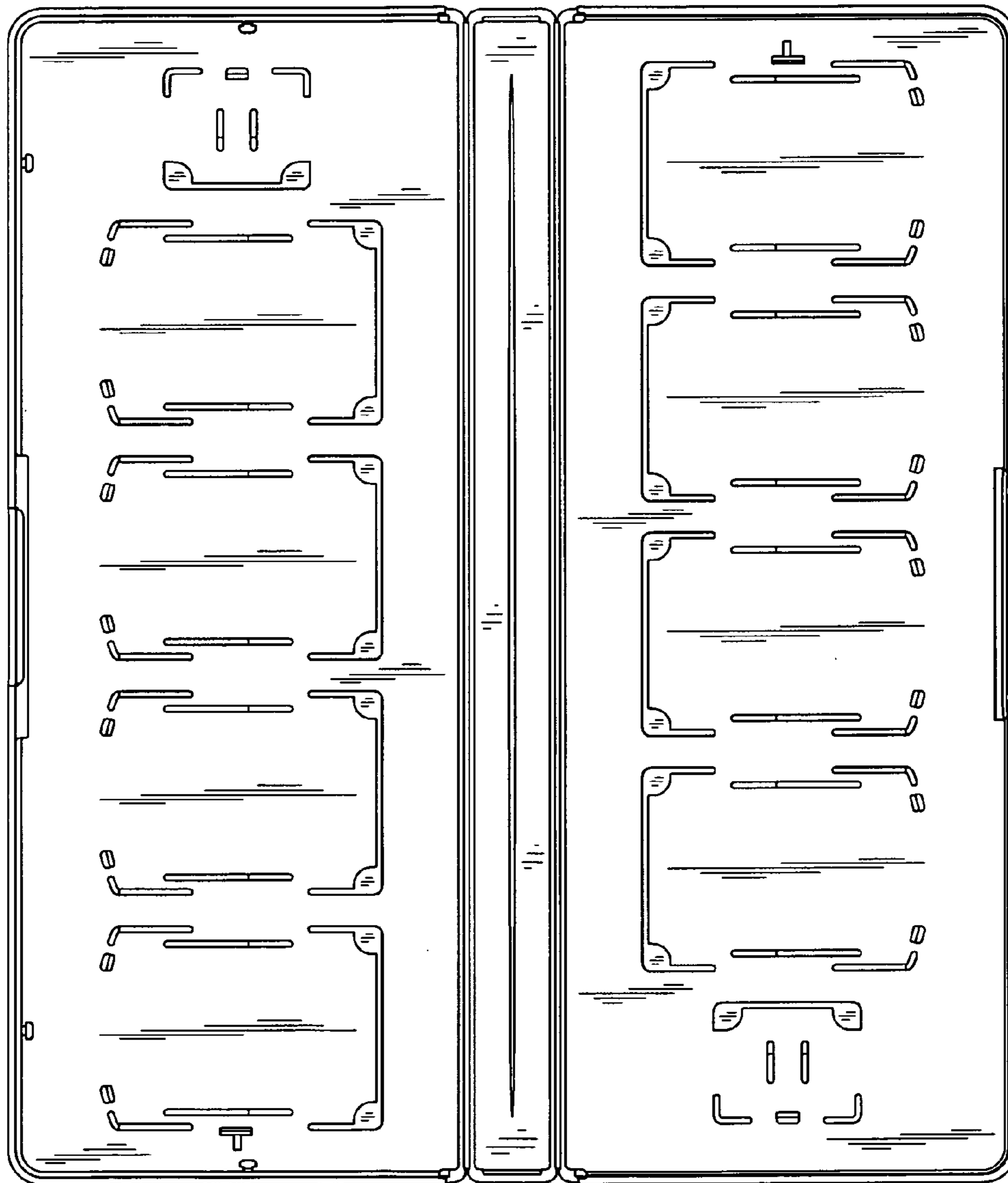


FIG.3

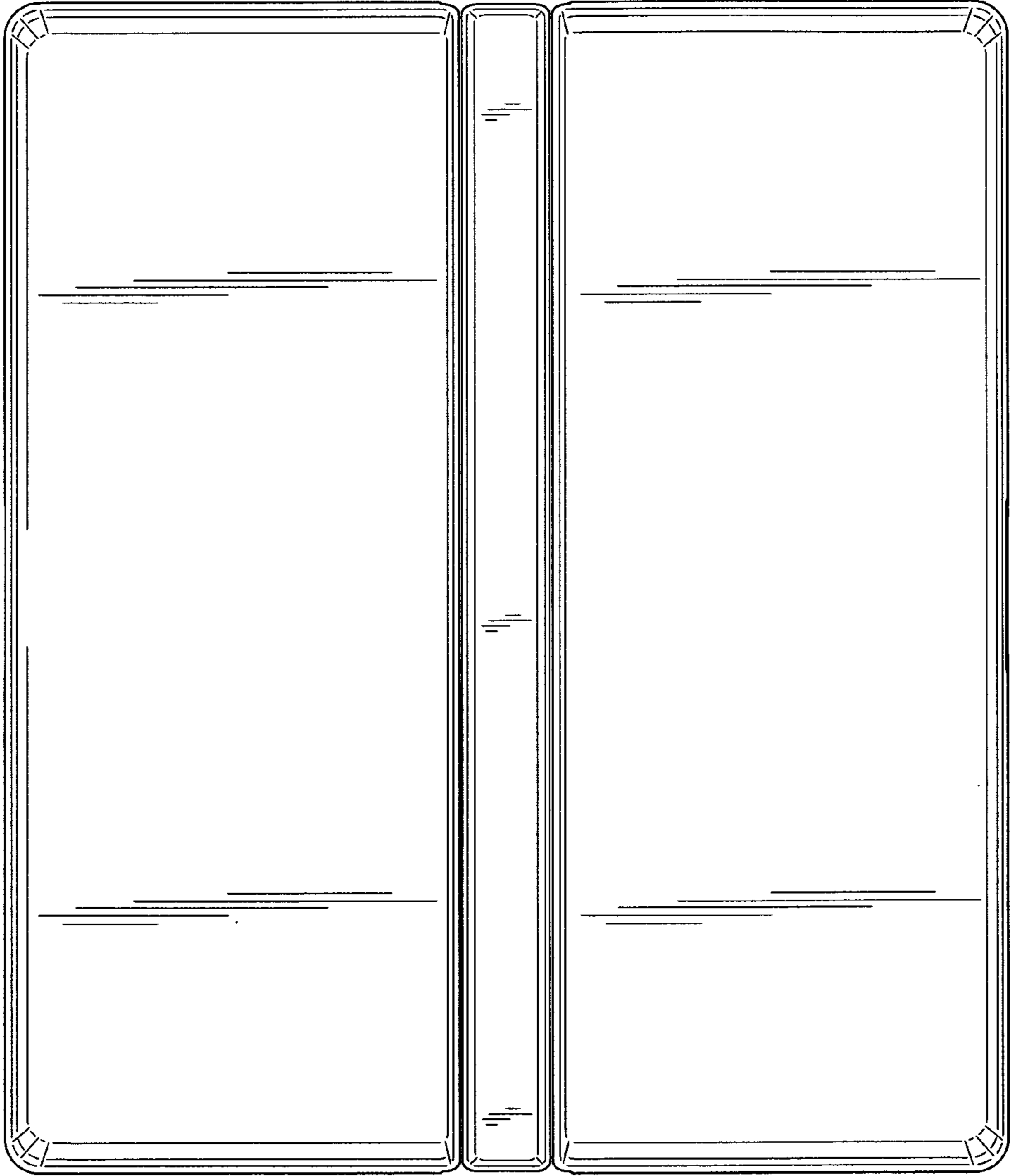


FIG.4

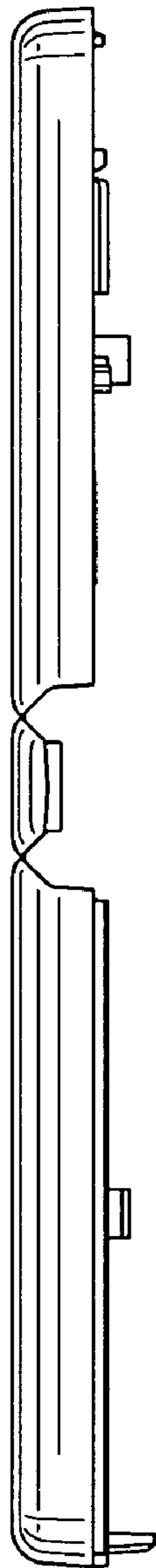


FIG.5

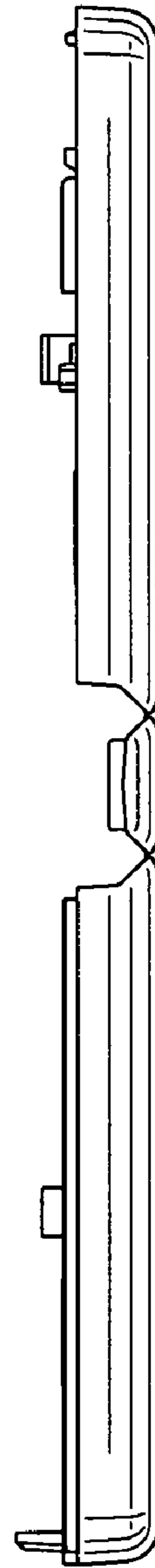


FIG.6

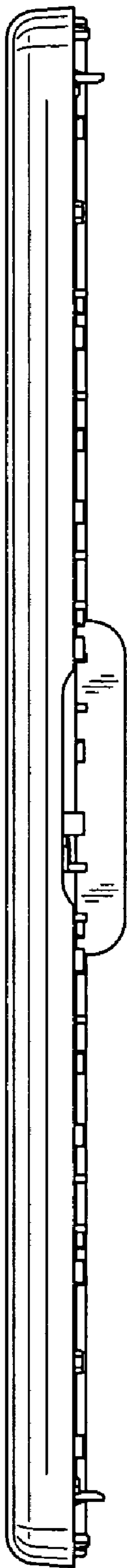


FIG.7

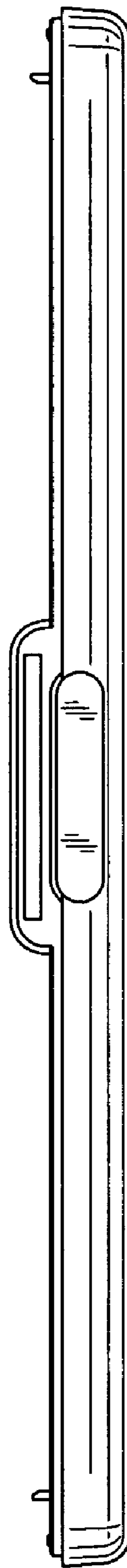


FIG.8

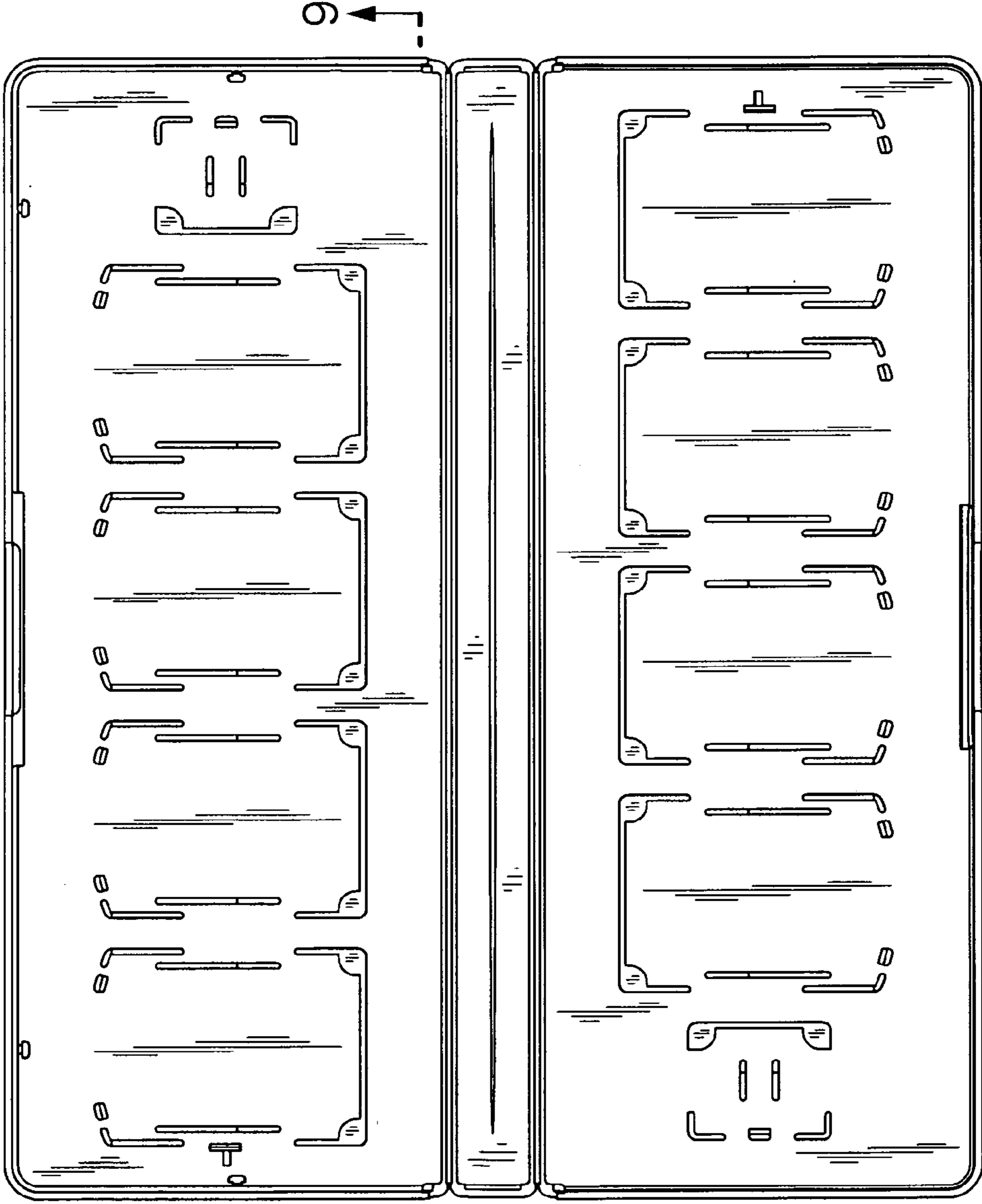


FIG.9

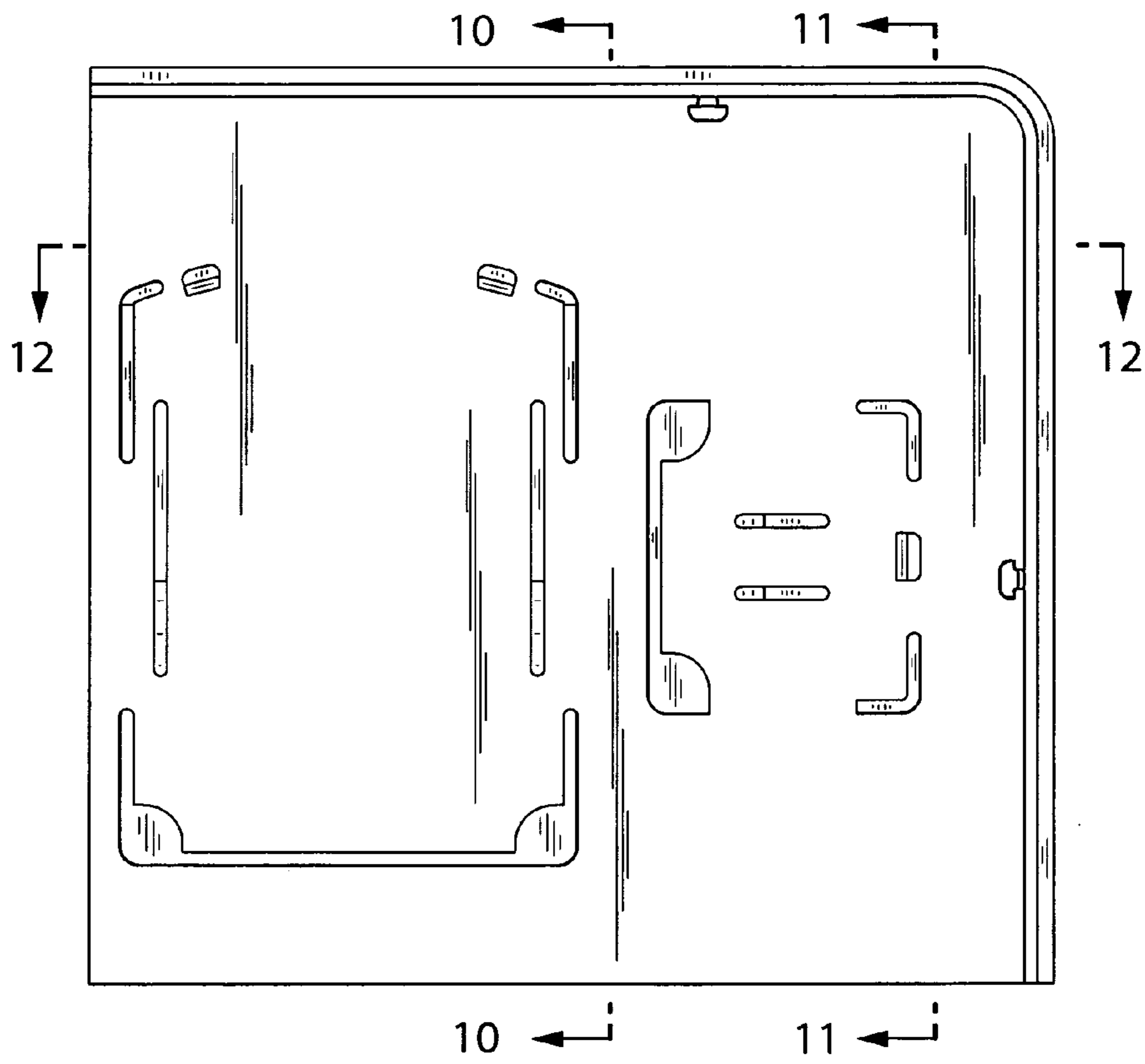


FIG.10

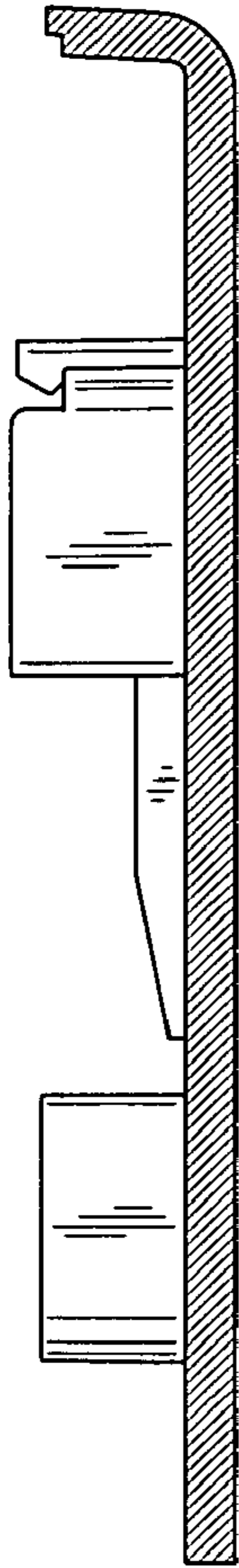


FIG.11

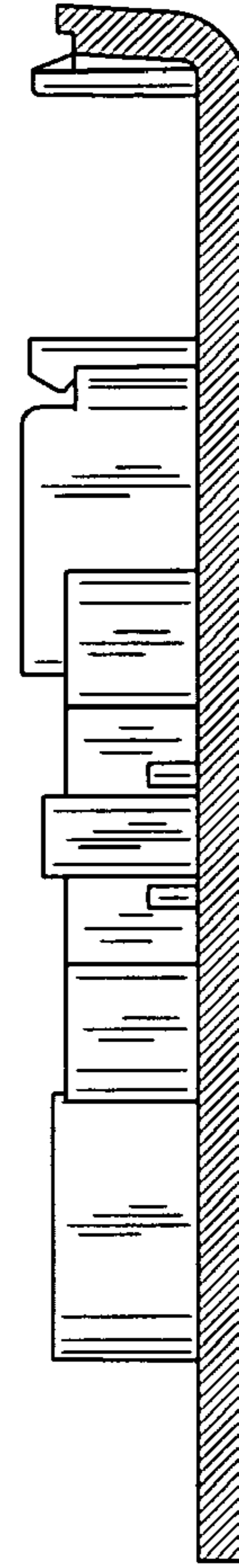


FIG.12

