



US00D677096S

(12) **United States Design Patent**
Shirian

(10) **Patent No.:** **US D677,096 S**

(45) **Date of Patent:** **** Mar. 5, 2013**

(54) **PILLOW**

(76) **Inventor:** **Amir Shirian**, Los Angeles, CA (US)

(**) **Term:** **14 Years**

(21) **Appl. No.:** **29/400,512**

(22) **Filed:** **Aug. 29, 2011**

(51) **LOC (9) Cl.** **06-09**

(52) **U.S. Cl.** **D6/601**

(58) **Field of Classification Search** D6/595-601,
D6/604, 605; 5/630, 632-634, 636, 637,
5/639, 640, 644, 646, 652, 655, 655.3, 655.9,
5/657, 705, 710; D21/803, 809; D24/183,
D24/192

See application file for complete search history.

(56) **References Cited**

U.S. PATENT DOCUMENTS

| | | | | |
|-----------|------|---------|----------------|---------|
| 2,782,427 | A * | 2/1957 | Ericson | 5/632 |
| 3,333,286 | A * | 8/1967 | Biolik | 5/632 |
| 3,883,906 | A * | 5/1975 | Sumpter | 5/632 |
| 4,031,578 | A * | 6/1977 | Sweeney et al. | 5/426 |
| 4,146,171 | A * | 3/1979 | Hodge | 232/1 C |
| 4,646,374 | A * | 3/1987 | Shafer | 5/653 |
| 4,779,296 | A * | 10/1988 | Bond | 5/646 |
| D327,802 | S * | 7/1992 | Downing | D6/601 |
| D337,914 | S * | 8/1993 | McDonald | D6/601 |
| D373,422 | S * | 9/1996 | Adams | D24/192 |
| D410,810 | S * | 6/1999 | Lozier | D6/601 |
| 6,041,458 | A * | 3/2000 | Vickers et al. | 5/636 |
| 6,079,066 | A * | 6/2000 | Backlund | 5/636 |
| D444,980 | S * | 7/2001 | Mowat et al. | D6/601 |
| D449,482 | S * | 10/2001 | Berke et al. | D6/601 |
| D449,483 | S * | 10/2001 | Berke et al. | D6/601 |
| D449,484 | S * | 10/2001 | Berke et al. | D6/601 |
| 6,484,336 | B1 * | 11/2002 | Berke et al. | 5/636 |
| D474,364 | S * | 5/2003 | Arcieri | D6/601 |
| D475,881 | S * | 6/2003 | Cole | D6/601 |
| 6,671,907 | B1 * | 1/2004 | Zuberi | 5/636 |
| 6,745,418 | B1 * | 6/2004 | Turner, Jr. | 5/638 |
| D502,038 | S * | 2/2005 | Berke et al. | D6/601 |
| 6,918,148 | B2 * | 7/2005 | Auxila | 5/655 |

| | | | | |
|--------------|------|---------|--------------|---------|
| D516,726 | S * | 3/2006 | Hoenecke | D24/183 |
| D575,566 | S * | 8/2008 | Berke et al. | D6/601 |
| D576,438 | S * | 9/2008 | Pearl | D6/601 |
| D592,753 | S * | 5/2009 | Jacinto | D24/183 |
| D621,195 | S * | 8/2010 | Buttram | D6/601 |
| 2011/0252568 | A1 * | 10/2011 | Ramp | 5/655.3 |

* cited by examiner

Primary Examiner — Mary Ann Calabrese

(57) **CLAIM**

The ornamental design for a pillow, as shown and described.

DESCRIPTION

FIG. 1 is a front left perspective view of the pillow showing my new design;

FIG. 2 is a front right perspective view of the pillow thereof;

FIG. 3 is a front perspective view of the pillow thereof;

FIG. 4 is a rear perspective view of the pillow thereof;

FIG. 5 is a top perspective view of the pillow thereof;

FIG. 6 is a perspective bottom view of the pillow thereof;

FIG. 7 is a front left perspective view of the pillow, with the top portion of the pillow removed, for clarity of disclosing the arched hollow through the side corners;

FIG. 8 is a front right perspective view of the pillow, with the top portion of the pillow removed, for clarity of disclosing the arched hollow through the side corners thereof;

FIG. 9 is a left side elevational view thereof;

FIG. 10 is a front perspective view, with the top portion of the pillow removed, for clarity of disclosing the arched hollow through the side corners thereof;

FIG. 11 is a right side elevational view thereof;

FIG. 12 is a rear perspective view, with the top portion of the pillow removed, for clarity of disclosing the arched hollow through the side corners thereof;

FIG. 13 is a bottom perspective view thereof; and,

FIG. 14 is a top perspective view, with the top portion of the pillow removed, for clarity of disclosing the arched hollow through the side corners thereof.

1 Claim, 14 Drawing Sheets

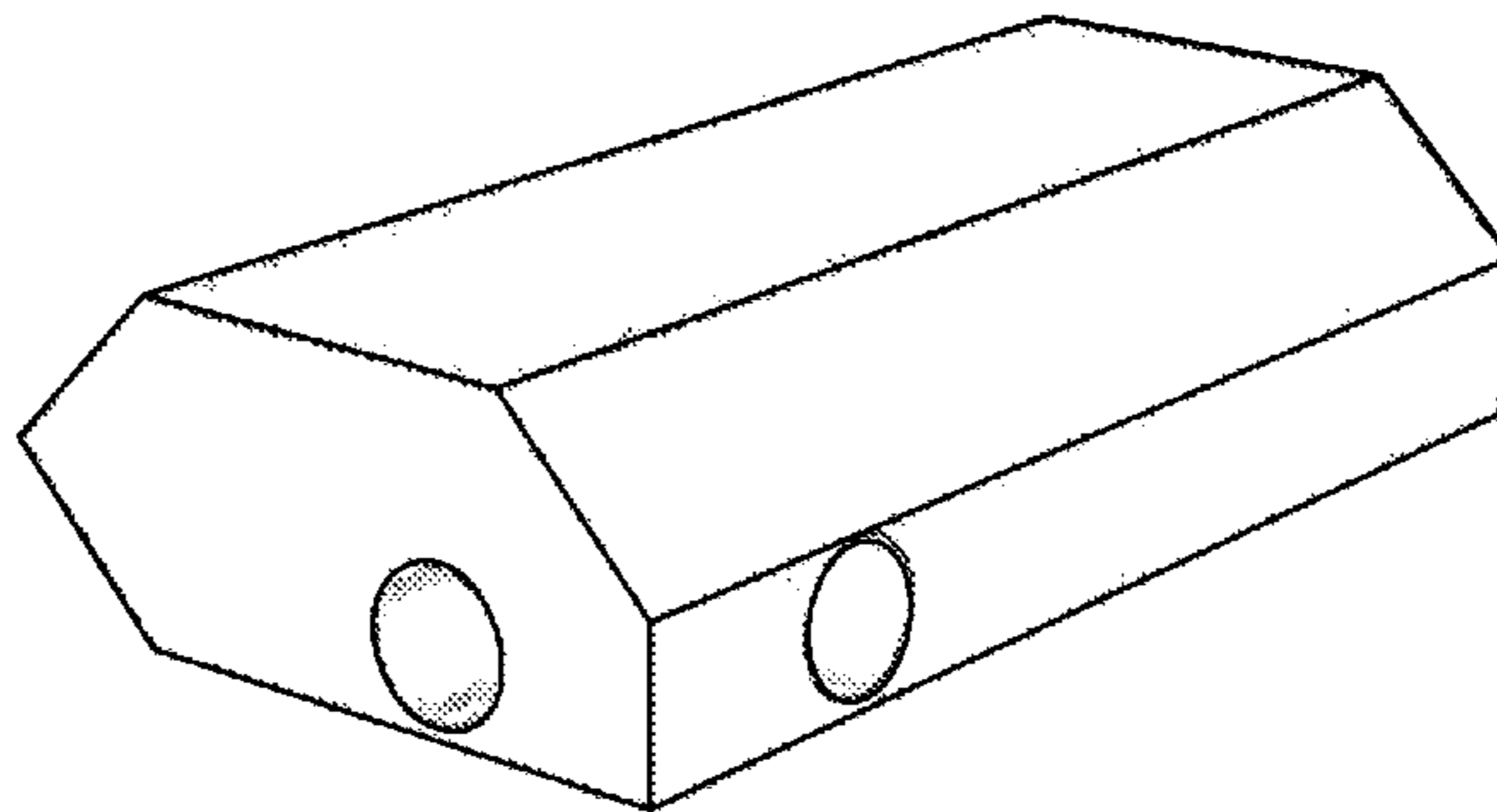


FIG. 1

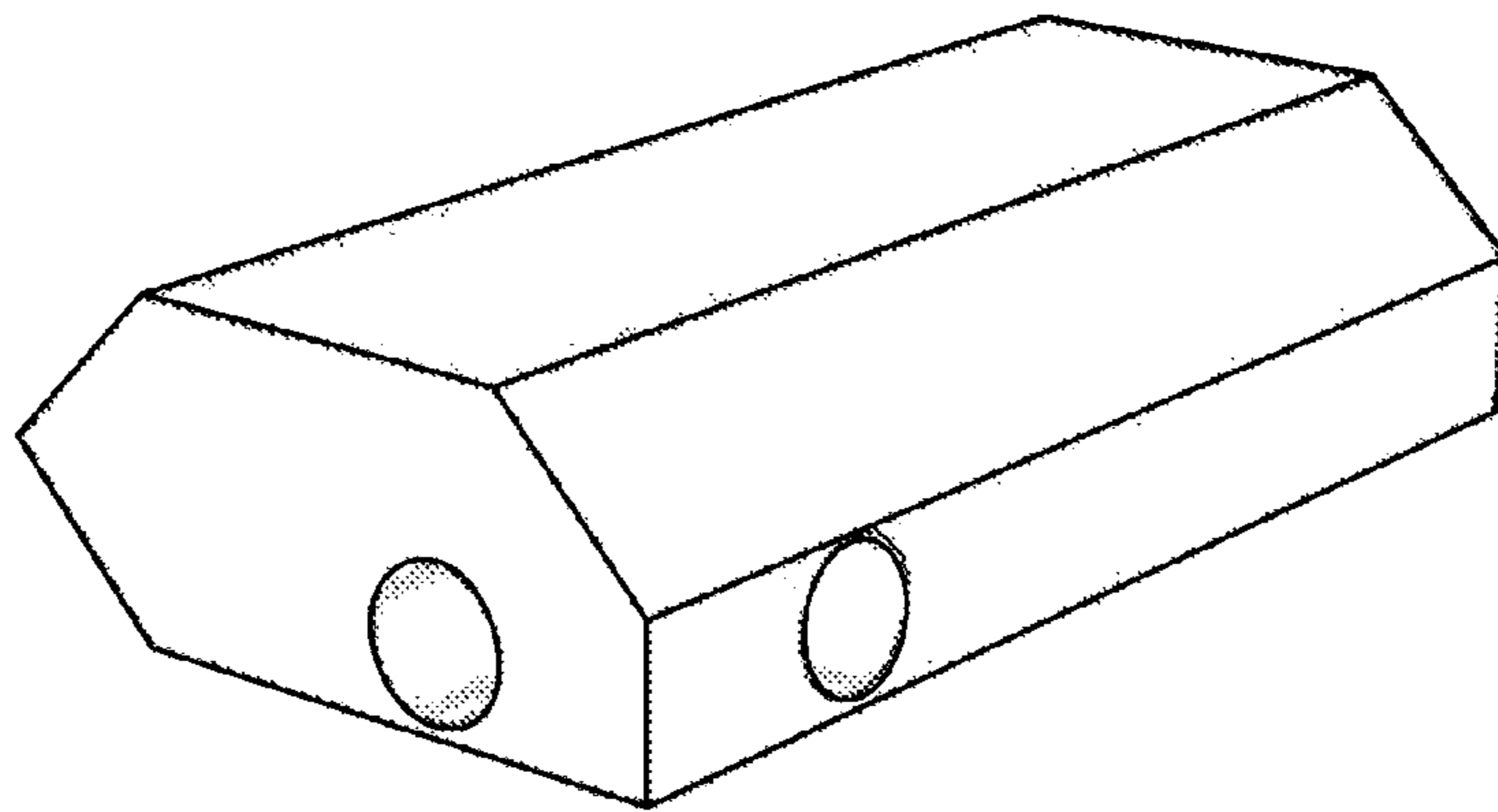


FIG. 2

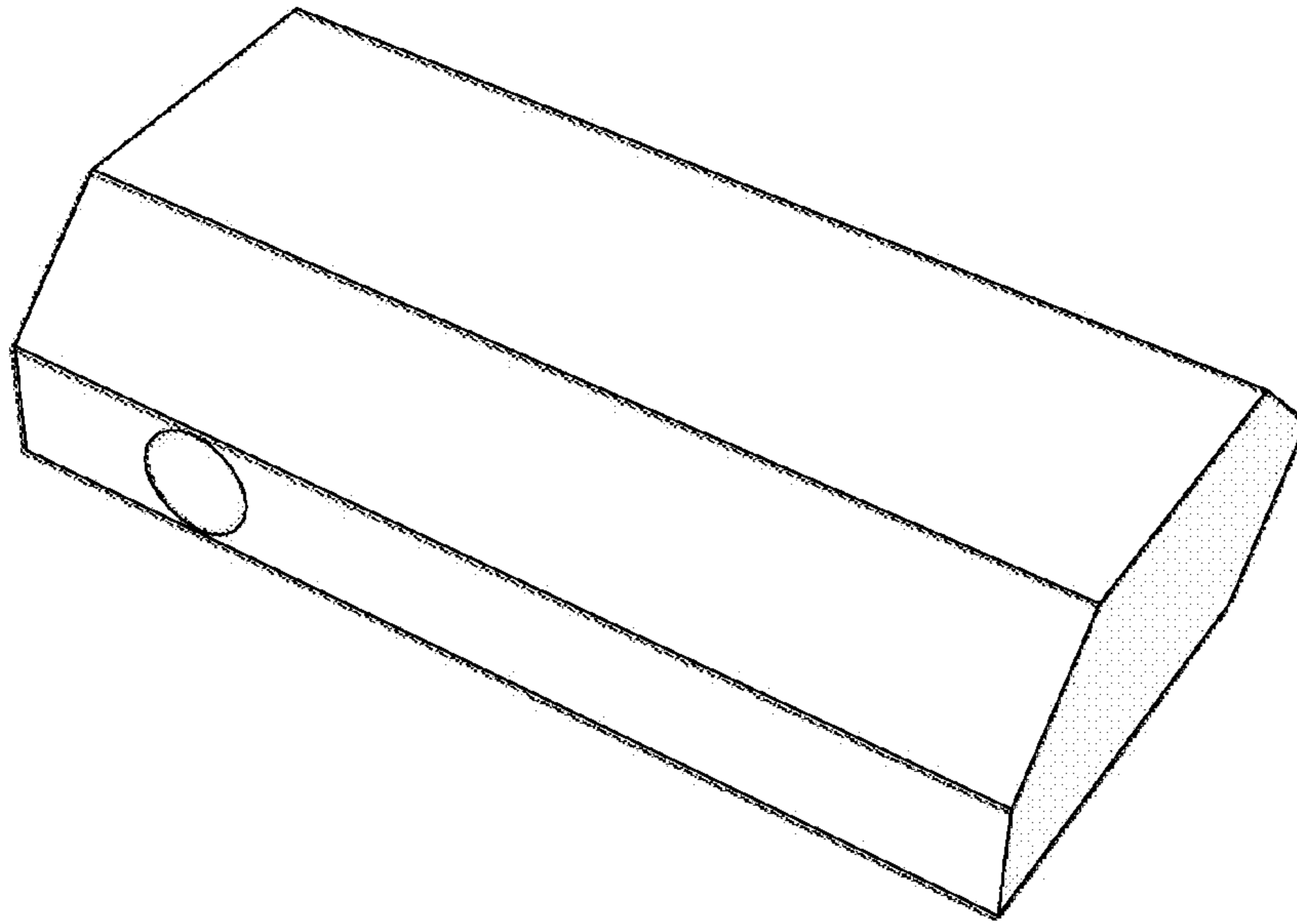


FIG. 3

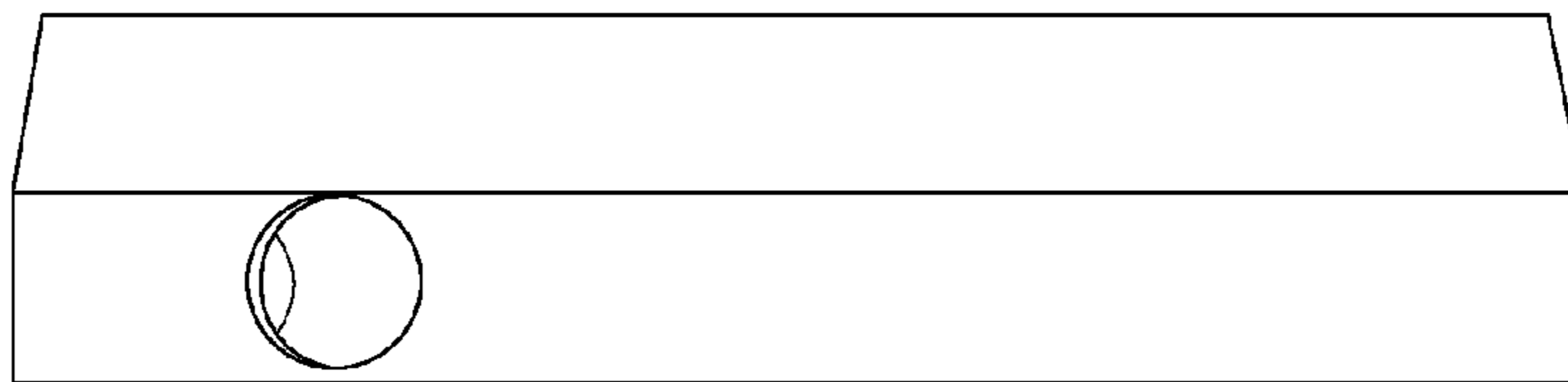


FIG. 4



FIG. 5

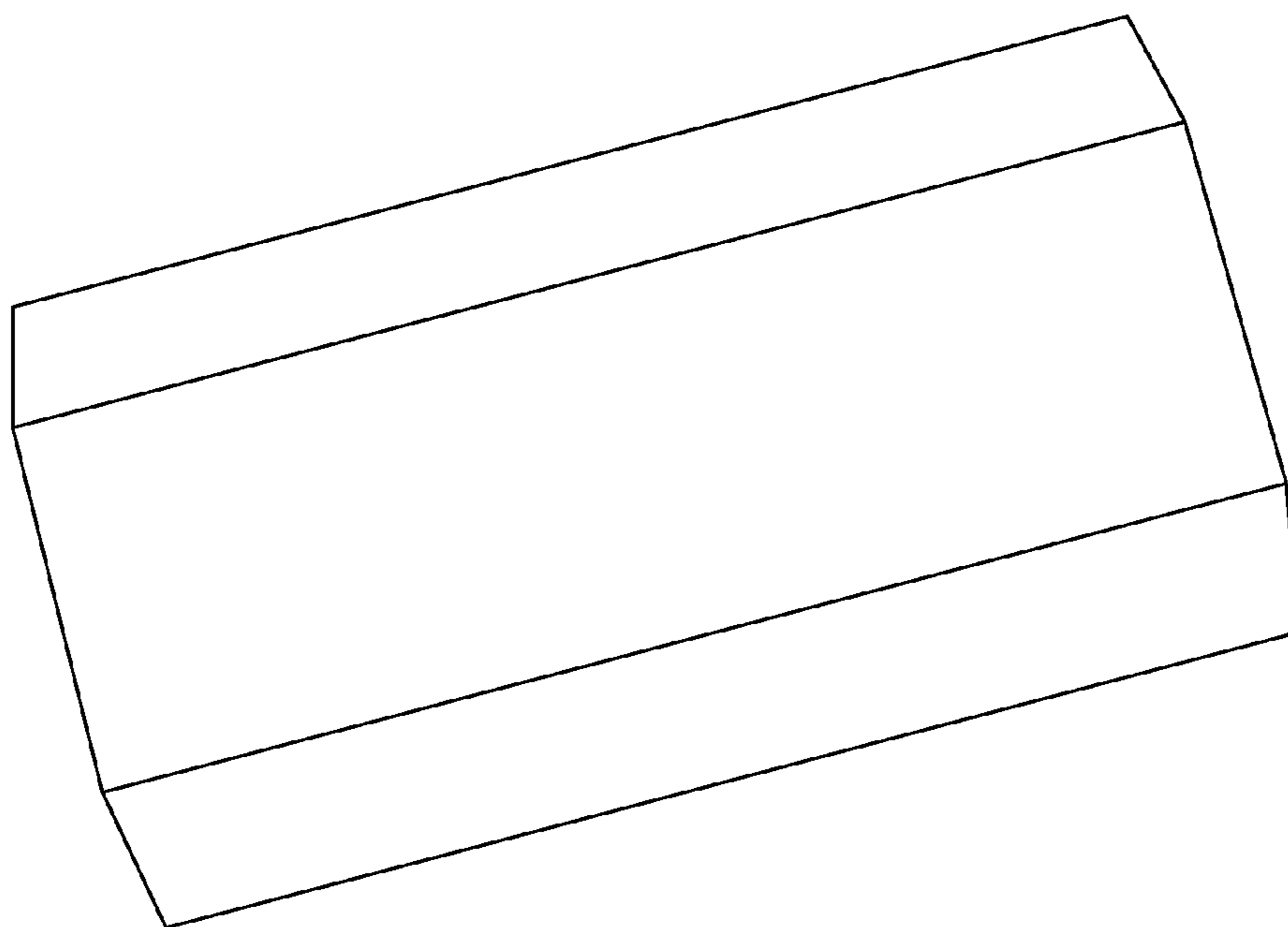


FIG. 6

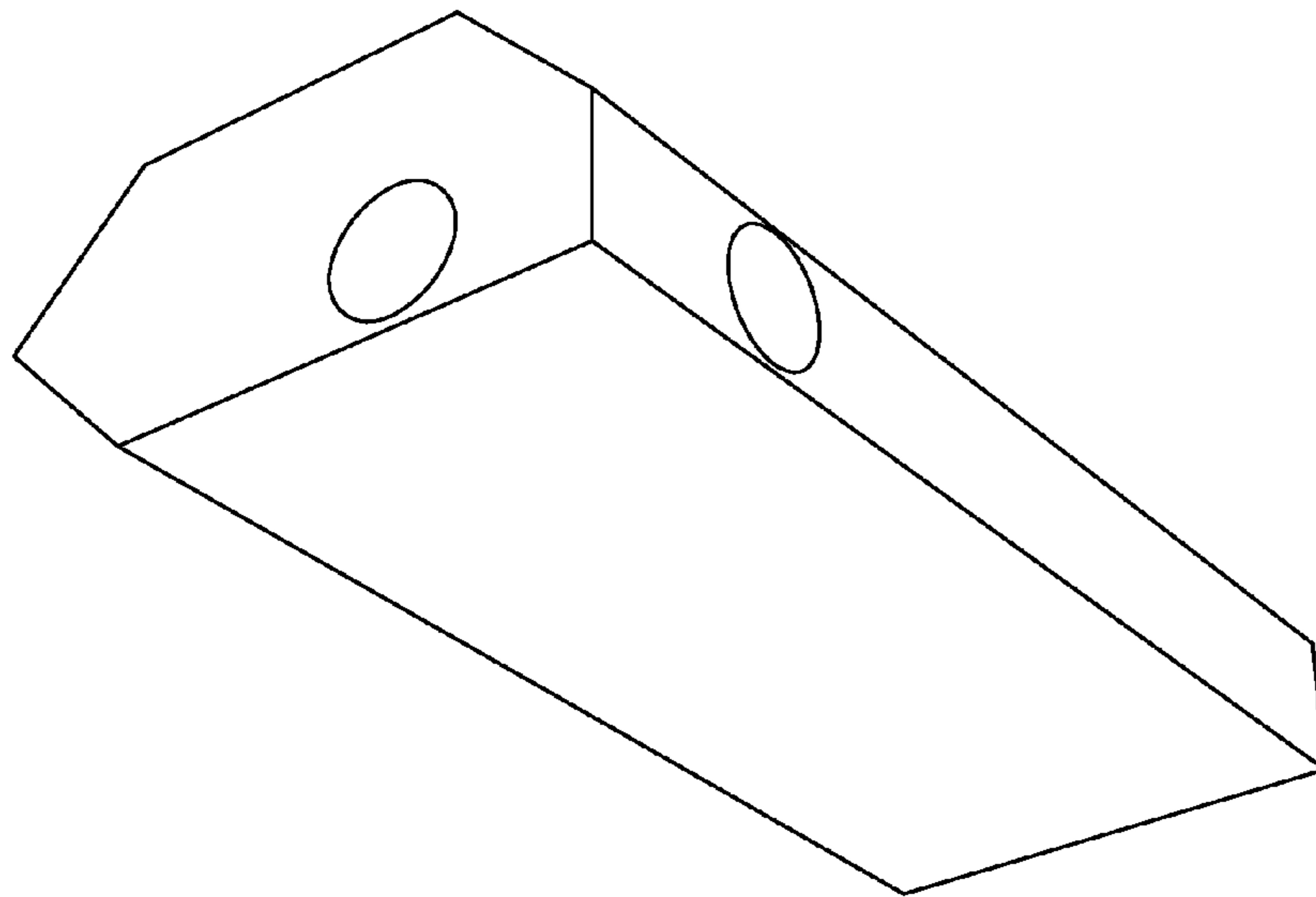


FIG. 7

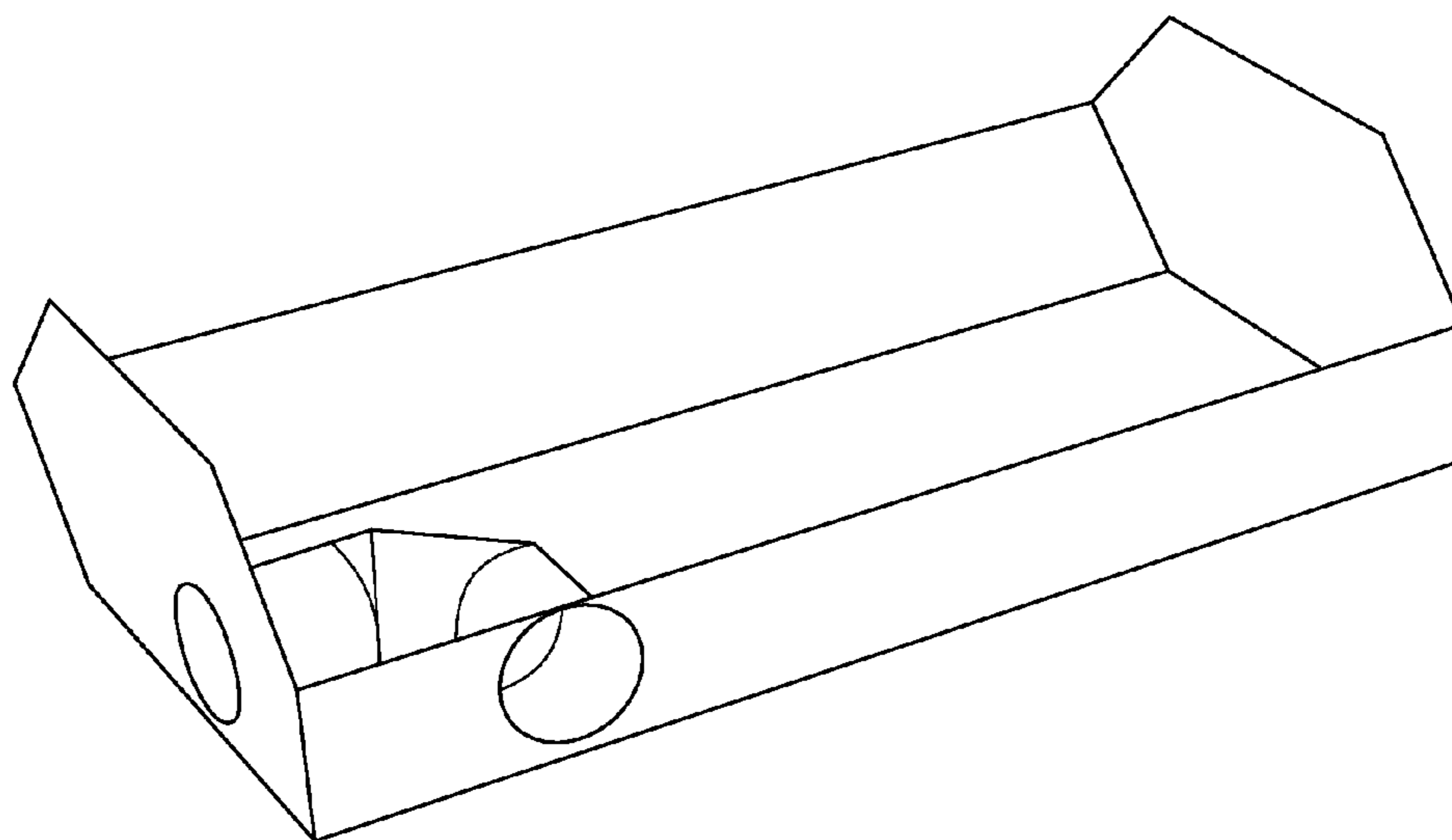


FIG. 8

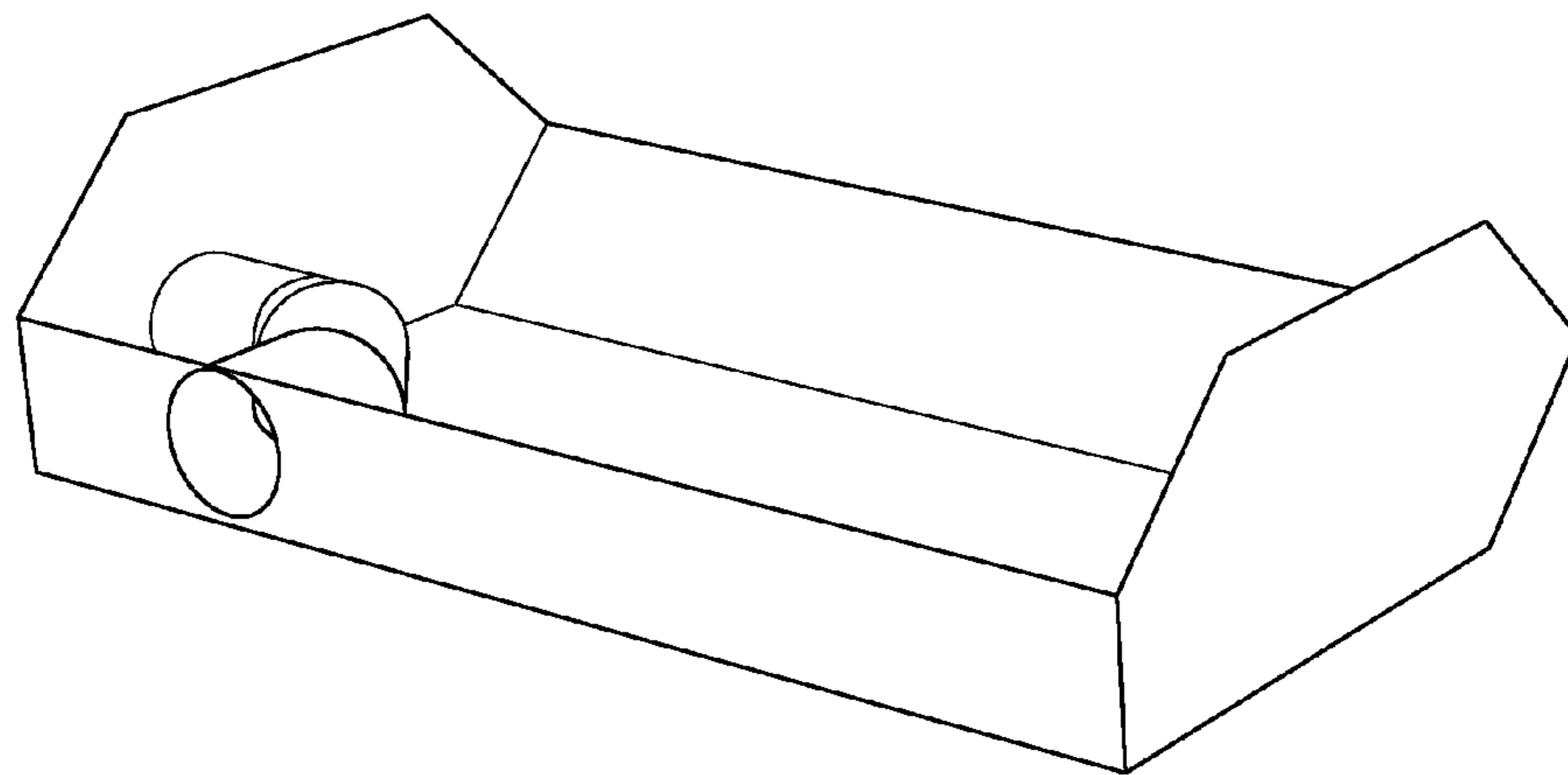


FIG. 9

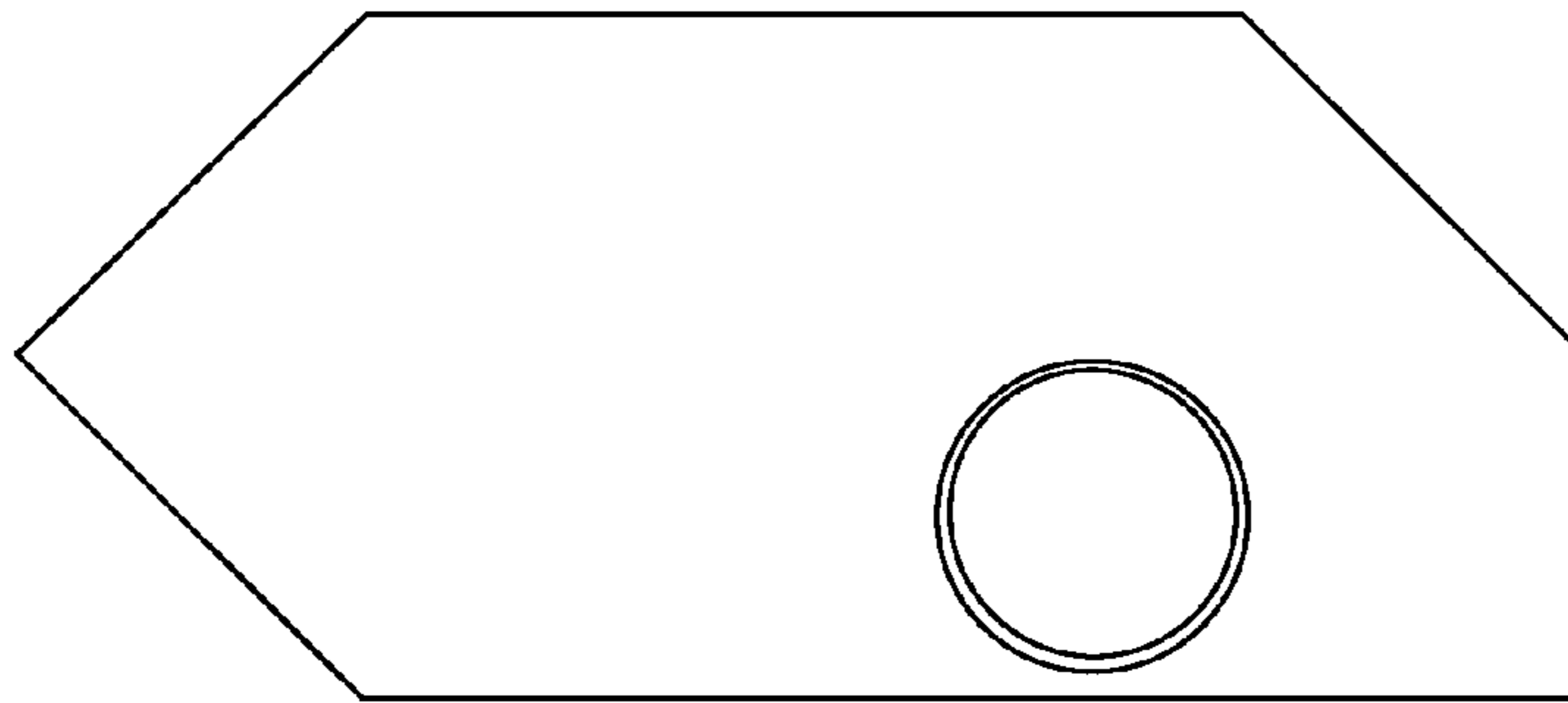


FIG. 10

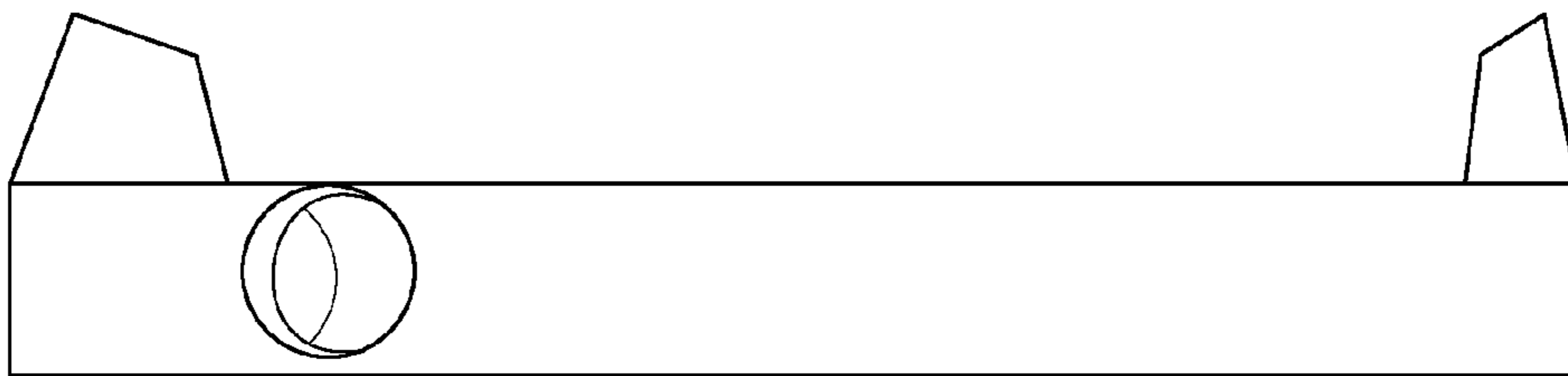


FIG. 11

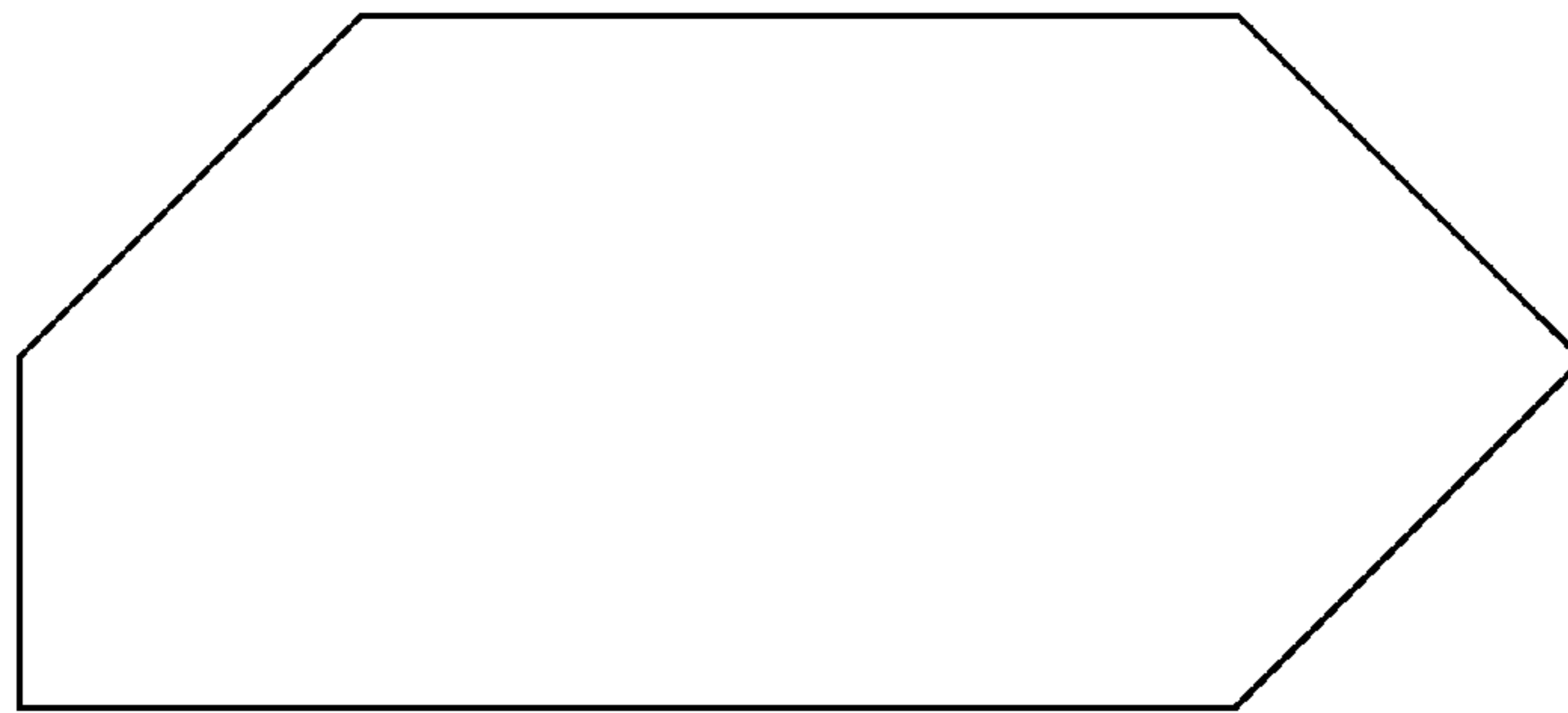


FIG. 12

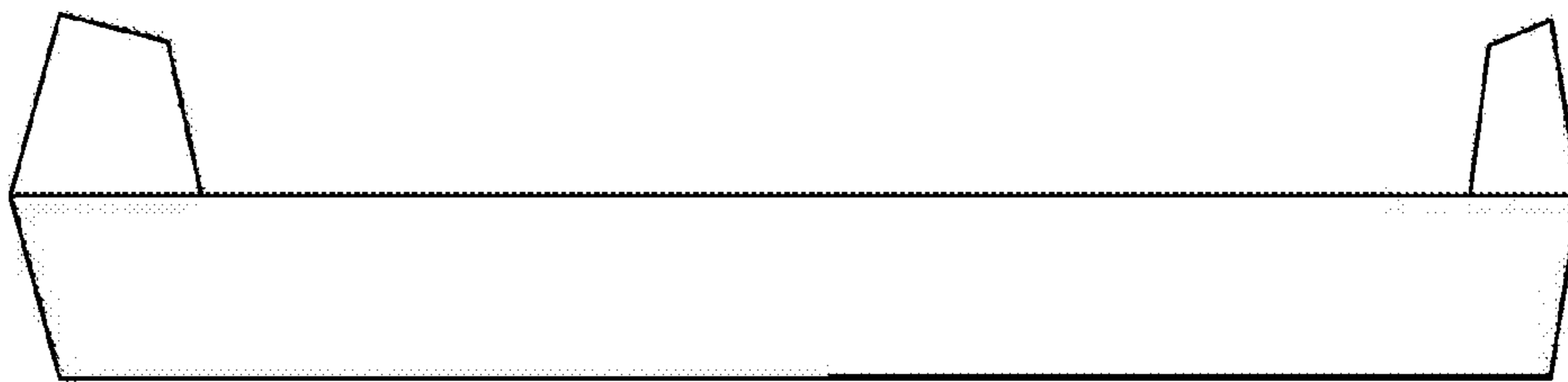


FIG. 13

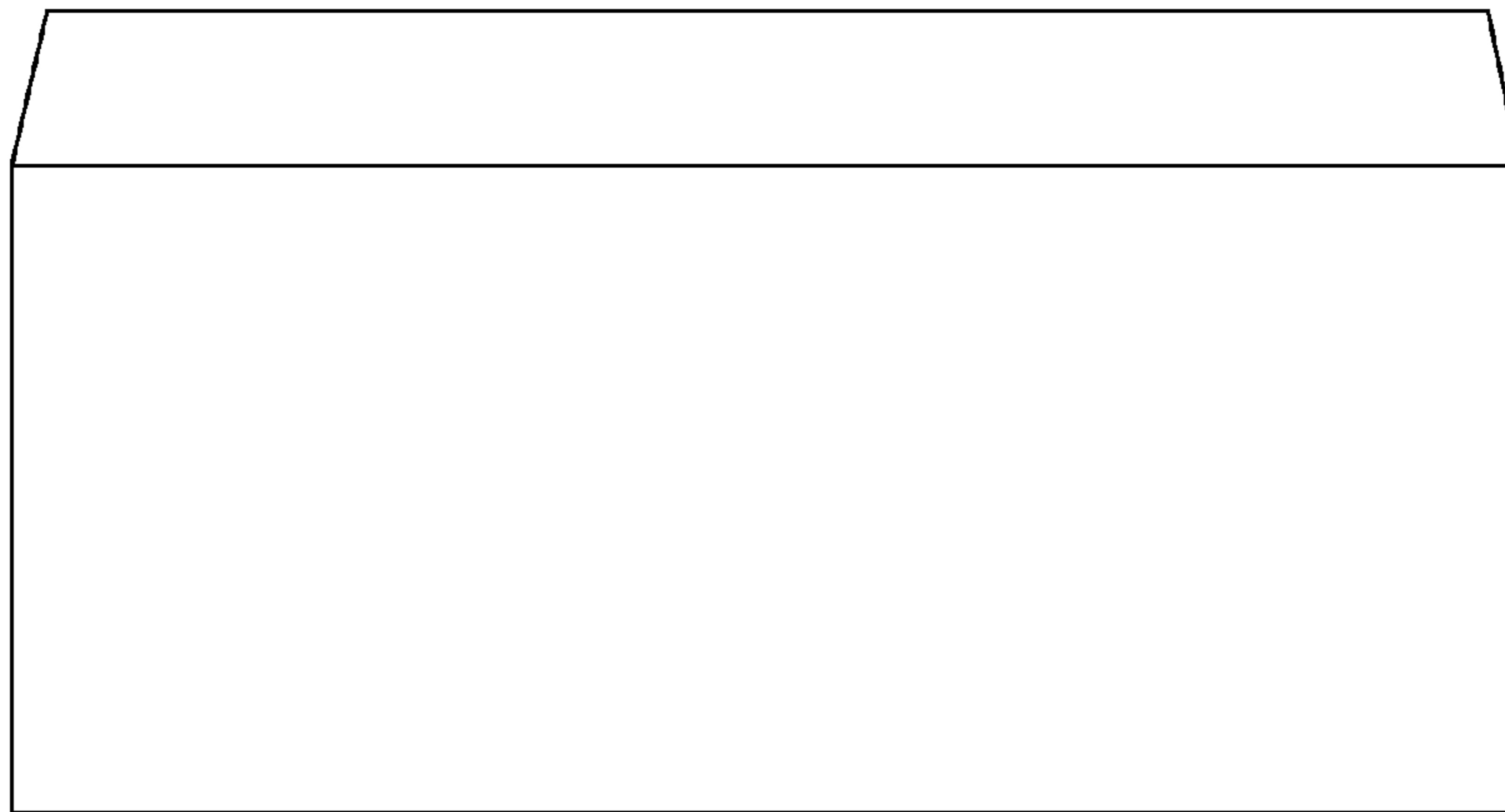


FIG. 14

