

US00D677094S

(12) **United States Design Patent**
Mansor

(10) **Patent No.:** **US D677,094 S**
(45) **Date of Patent:** **** Mar. 5, 2013**

(54) **WALL SHELVING UNIT**

(76) Inventor: **Todd Mansor**, Phoenix, AZ (US)

(**) Term: **14 Years**

(21) Appl. No.: **29/427,243**

(22) Filed: **Jul. 16, 2012**

(51) **LOC (9) Cl.** **06-04**

(52) **U.S. Cl.** **D6/574; D6/566**

(58) **Field of Classification Search** D6/524,
D6/525, 540, 553, 567, 574, 546, 549, 566;
180/28, 29; 211/13.1, 42, 71.01, 81.01, 88.03,
211/88.01, 90.01, 90.03, 126.1, 133.5, 133.6,
211/134, 182

See application file for complete search history.

(56) **References Cited**

U.S. PATENT DOCUMENTS

3,355,134 A * 11/1967 Chesley 211/134
D477,957 S * 8/2003 Mikich et al. D6/574
D499,922 S * 12/2004 Anderson et al. D6/566

D501,621 S * 2/2005 Ayers et al. D6/574
D526,519 S * 8/2006 Nawrocki D6/574
D557,964 S * 12/2007 Hoernig D6/574

* cited by examiner

Primary Examiner — Brian N Vinson

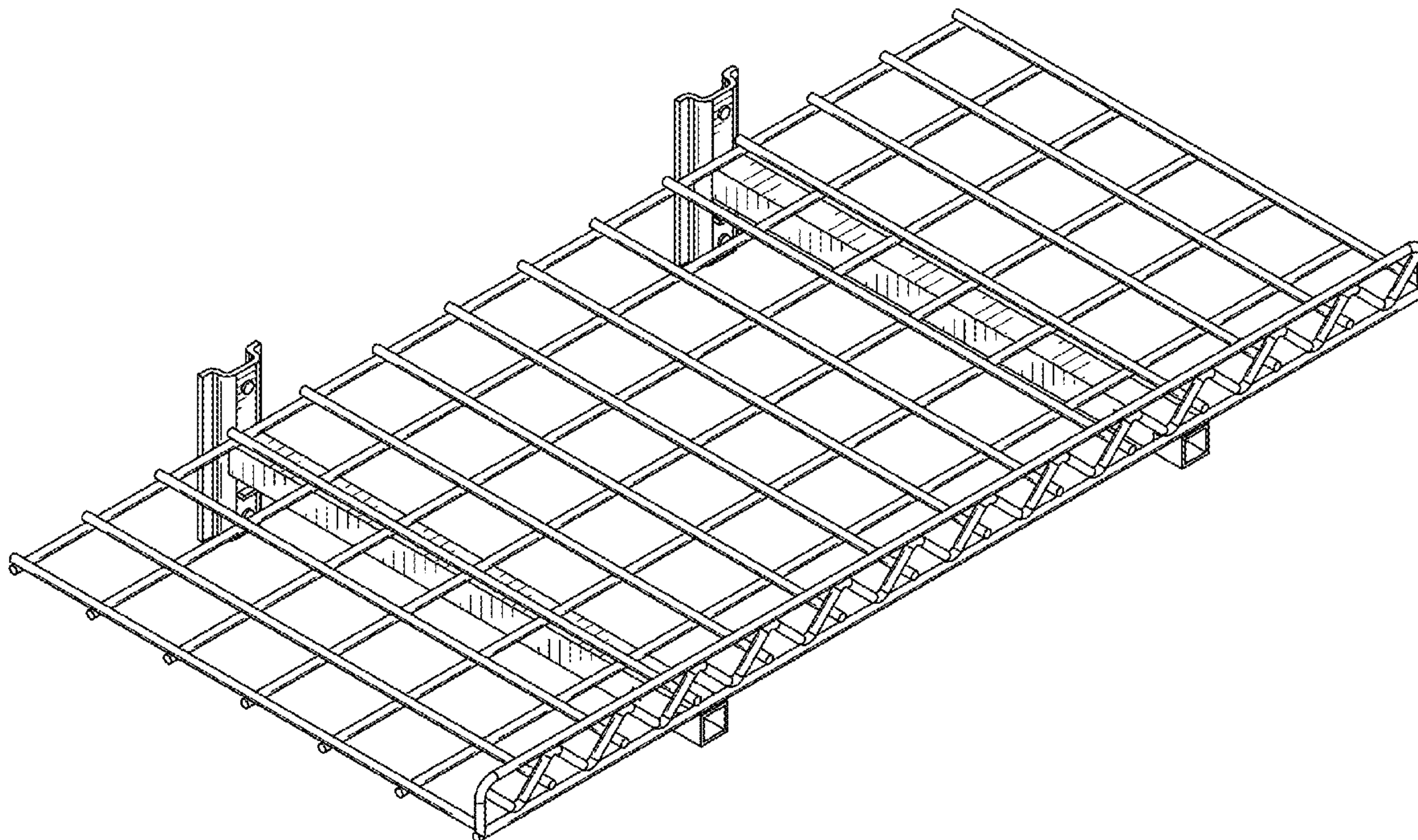
(57) **CLAIM**

The ornamental design for a wall shelving unit, as shown and described.

DESCRIPTION

FIG. 1 is a top perspective view of a wall shelving unit showing my new ornamental design;
FIG. 2 is a bottom perspective view of the wall shelving unit shown in FIG. 1;
FIG. 3 is a top view of the wall shelving unit shown in FIG. 1;
FIG. 4 is bottom view of the wall shelving unit shown in FIG. 1;
FIG. 5 is a side view of the wall shelving unit shown in FIG. 1;
FIG. 6 is a front view of the wall shelving unit shown in FIG. 1; and,
FIG. 7 is a rear side view of the wall shelving unit shown in FIG. 1.

1 Claim, 5 Drawing Sheets



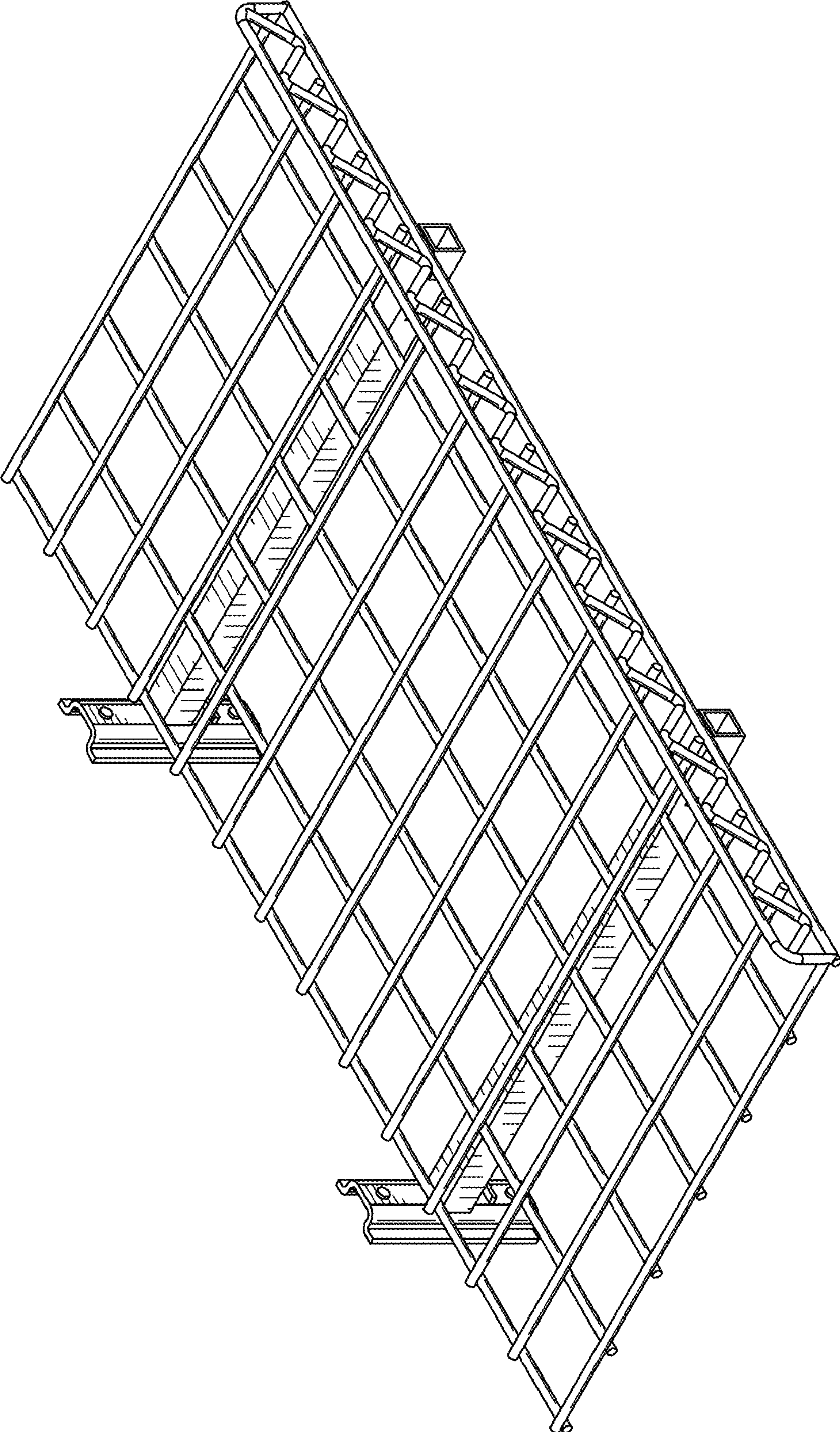


FIG. 1

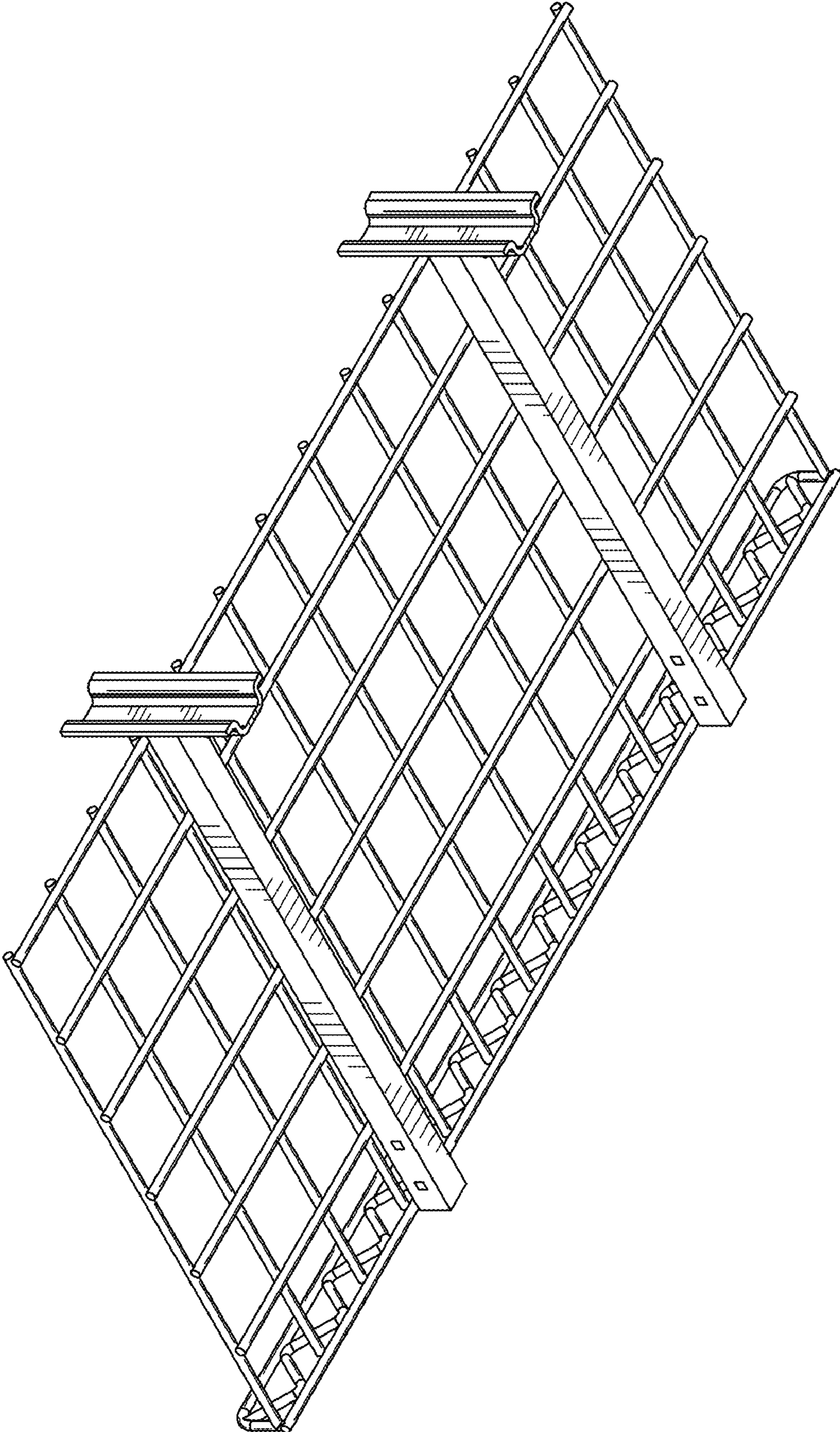


FIG. 2

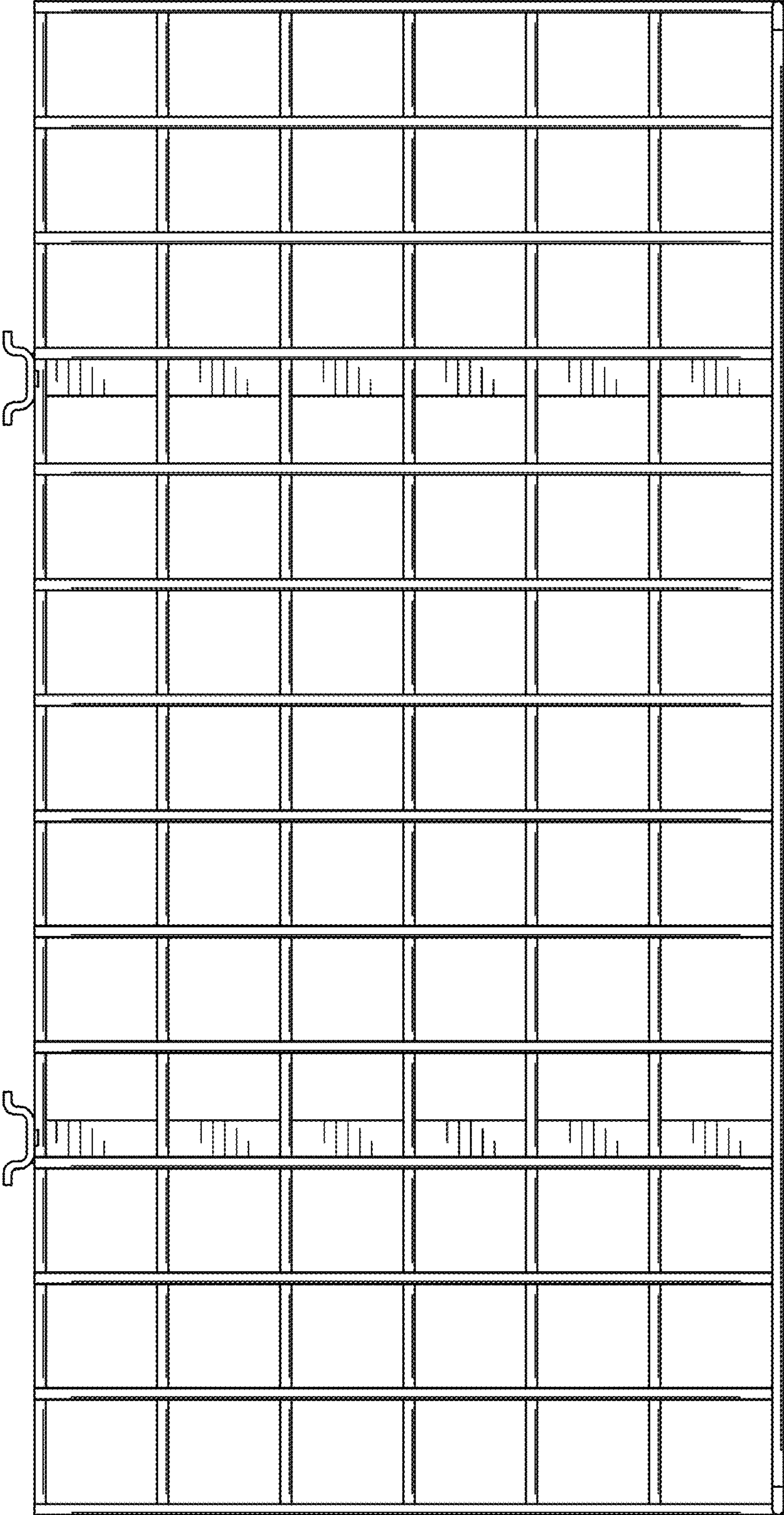


FIG. 3

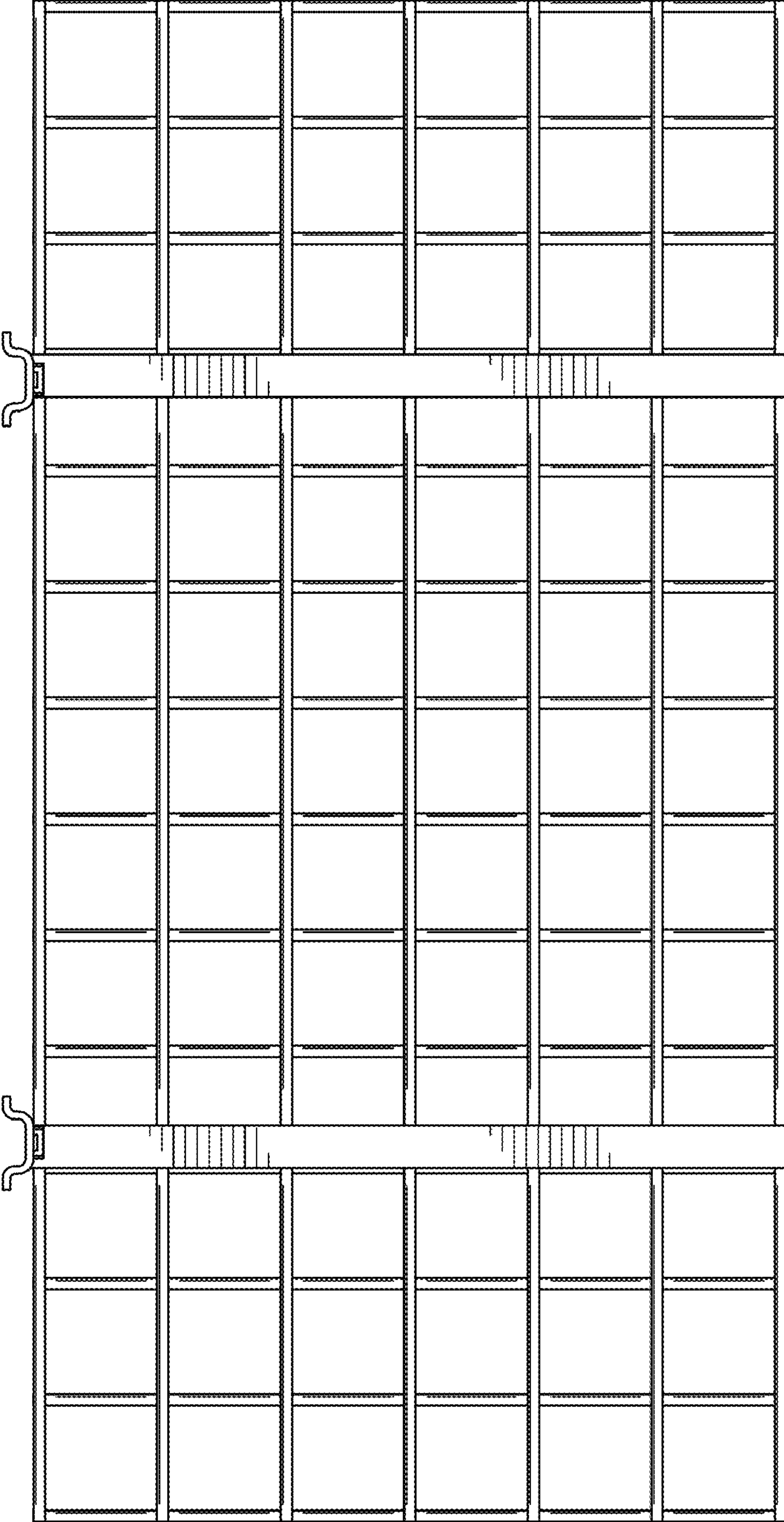


FIG. 4

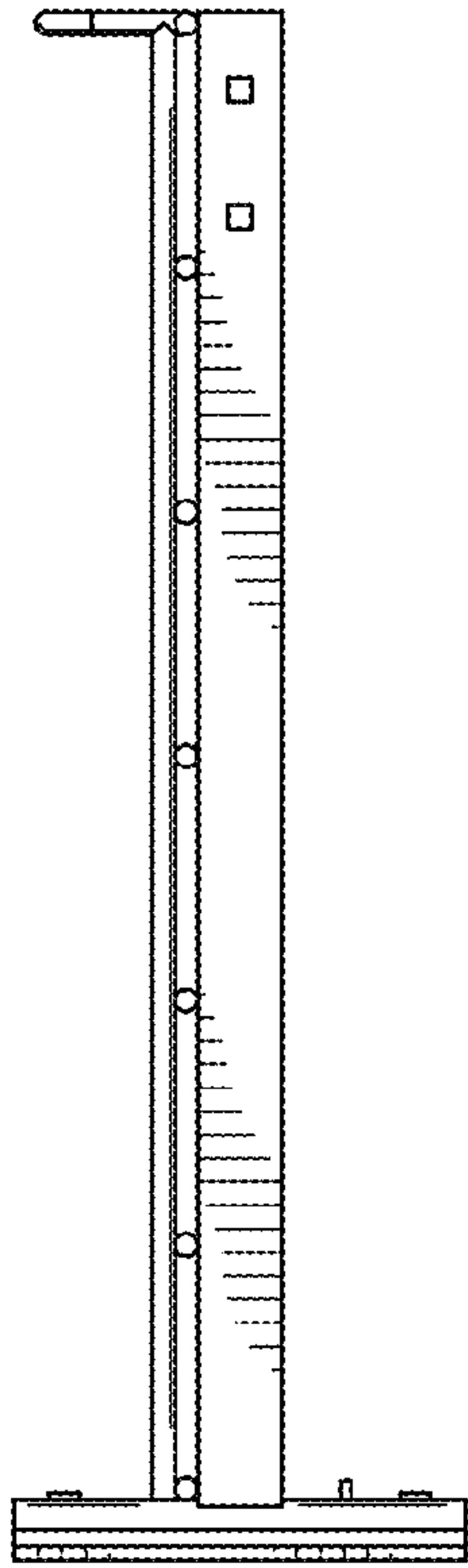


FIG. 5

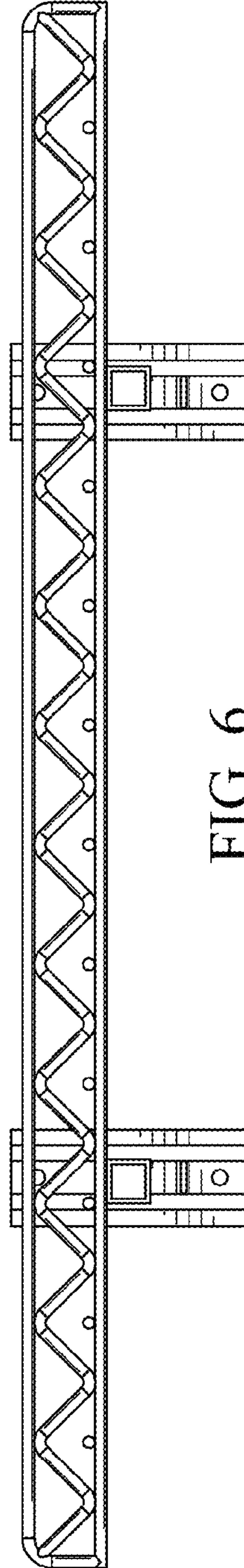


FIG. 6

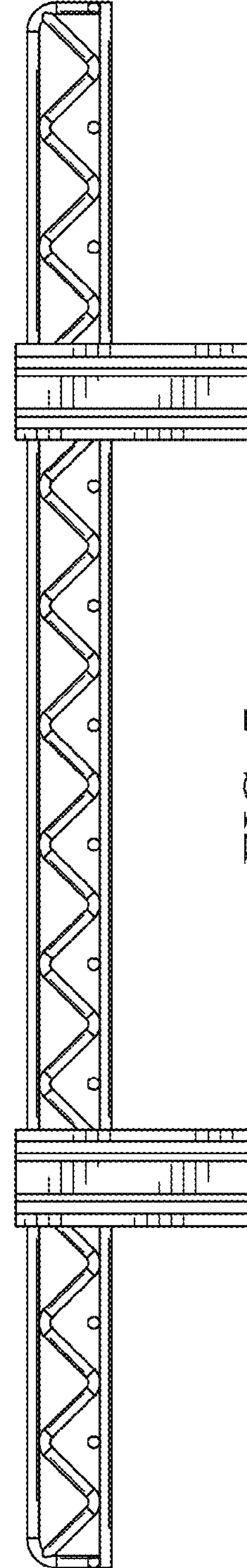


FIG. 7