



US00D677093S

(12) **United States Design Patent**  
**Benjamin**

(10) **Patent No.:** **US D677,093 S**  
(45) **Date of Patent:** **\*\* Mar. 5, 2013**

(54) **THREAD HANGER**

(76) Inventor: **Norman Benjamin**, Victoria (CA)

(\*\*) Term: **14 Years**

(21) Appl. No.: **29/396,959**

(22) Filed: **Jul. 8, 2011**

(51) **LOC (9) Cl.** ..... **06-04**

(52) **U.S. Cl.** ..... **D6/570**

(58) **Field of Classification Search** ..... D6/512-514,  
D6/555, 409, 449, 552-553, 566-574; D8/349,  
D8/354, 363, 367, 373, 380, 499; 211/13.1,  
211/17, 23, 49.1, 59.4, 64, 70.5, 70.6, 86.01,  
211/87.01, 90.01, 90.02, 105.1, 123, 126.1,  
211/181.1, 128.1, 190, 191, 207, 182, 175,  
211/85.3; 108/28-29, 42, 59, 64, 91; 248/49,  
248/67.7, 175, 176.1

See application file for complete search history.

(56) **References Cited**

**U.S. PATENT DOCUMENTS**

1,687,129	A *	10/1928	Henninger	.....	211/85.3
2,860,788	A *	11/1958	Hardman	.....	211/85.3
D232,006	S *	7/1974	Anders	.....	D6/570
D369,910	S *	5/1996	McCarty	.....	D6/570
D409,005	S *	5/1999	Knight	.....	D6/570

D486,683	S *	2/2004	Devine	.....	D6/566
D556,025	S *	11/2007	Kubota	.....	D8/373
D557,543	S *	12/2007	Hanson	.....	D6/570

\* cited by examiner

*Primary Examiner* — Brian N Vinson

(74) *Attorney, Agent, or Firm* — Gordon Thomson

(57) **CLAIM**

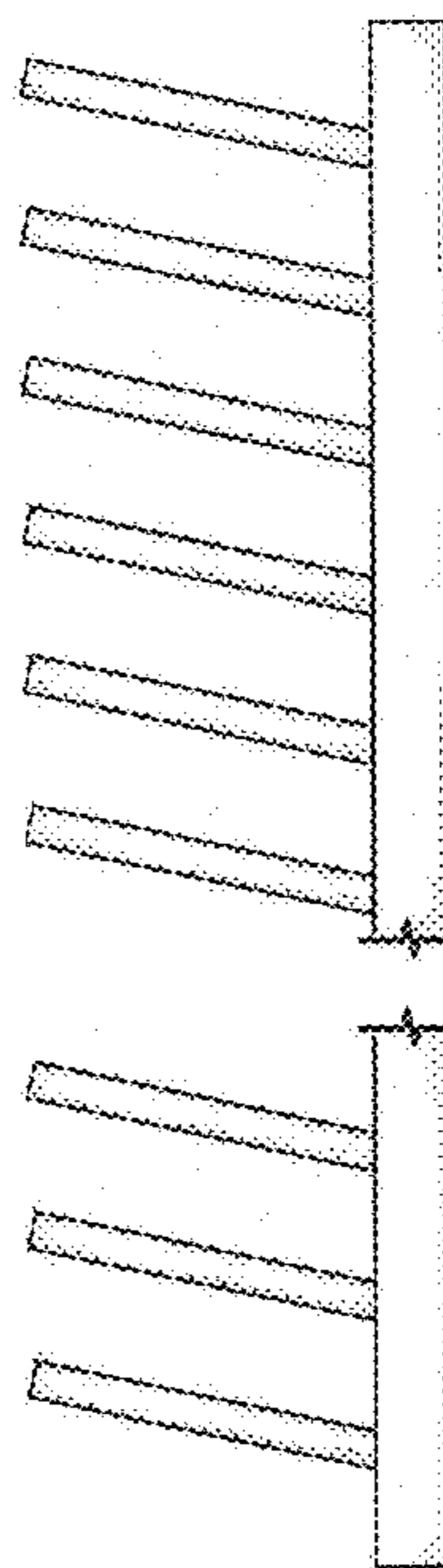
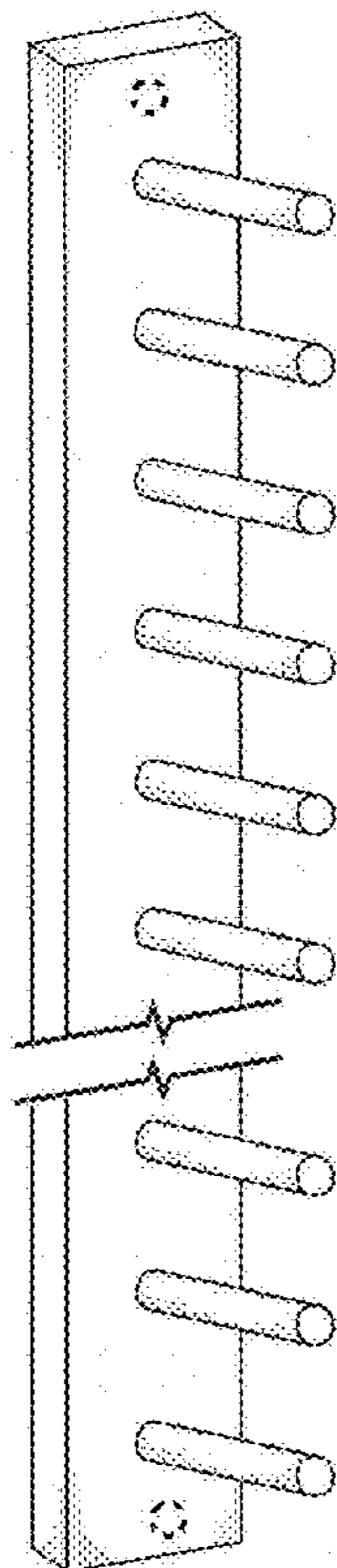
I claim the ornamental design for a thread hanger, as shown and described.

**DESCRIPTION**

FIG. 1 is a top, front, and left side perspective view of a first embodiment of a thread hanger showing my new design; FIG. 2 is a front elevational view thereof; FIG. 3 is a right side elevational view thereof; FIG. 4 is a top plan view thereof; FIG. 5 is a bottom plan view thereof; FIG. 6 is a top, front, and left side perspective view of a second embodiment of a thread hanger showing my new design; FIG. 7 is a front elevational view thereof; FIG. 8 is a right side elevational view thereof; FIG. 9 is a top plan view thereof; and, FIG. 10 is a bottom plan view thereof.

The broken lines disclosure are understood to indicate holes which do not form part of the claimed design, and the break line is understood to indicate that the vertical dimension is intended to be of an unclaimed length.

**1 Claim, 4 Drawing Sheets**



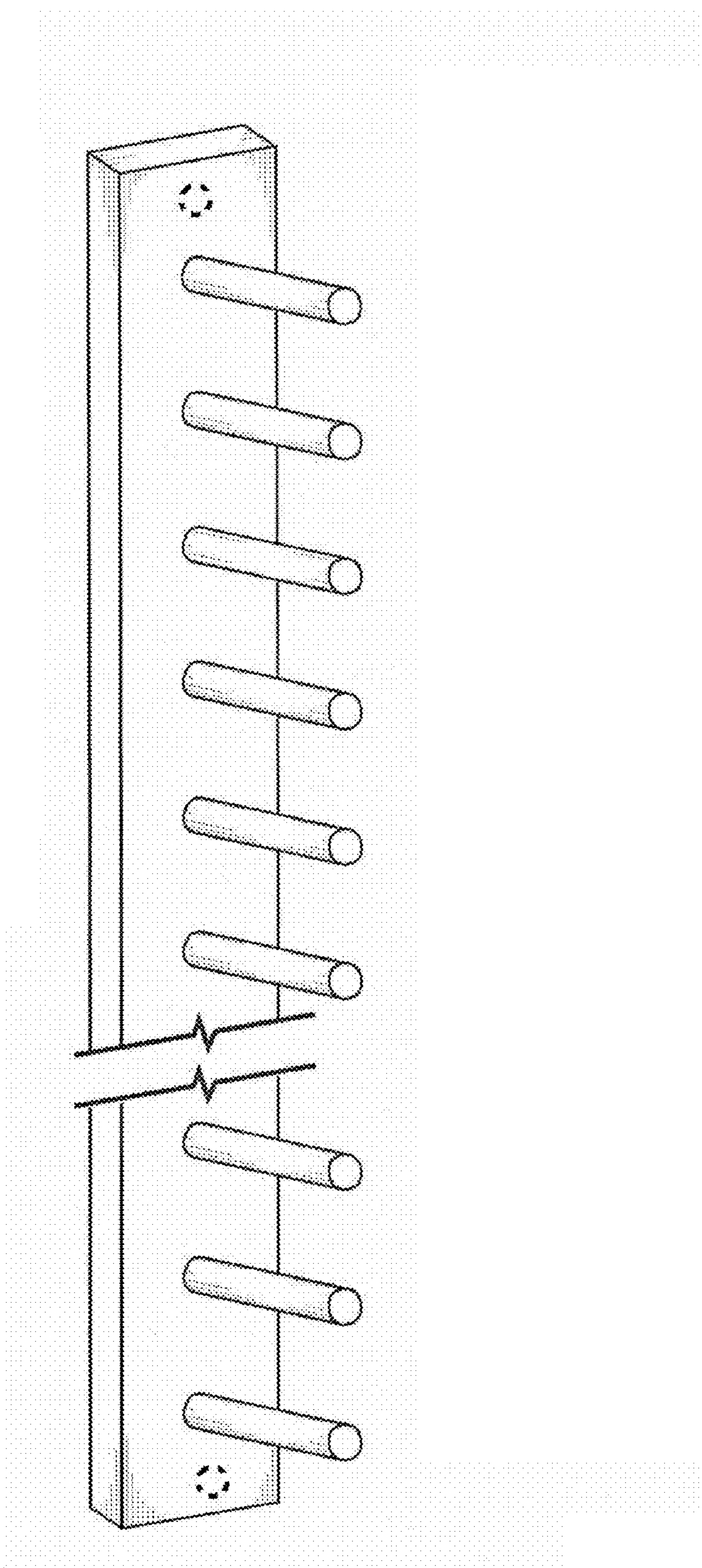


FIG. 1



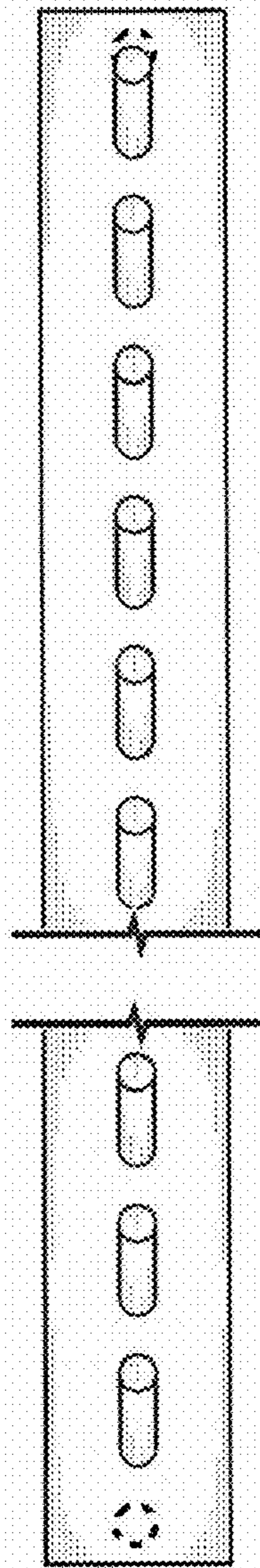


FIG. 2

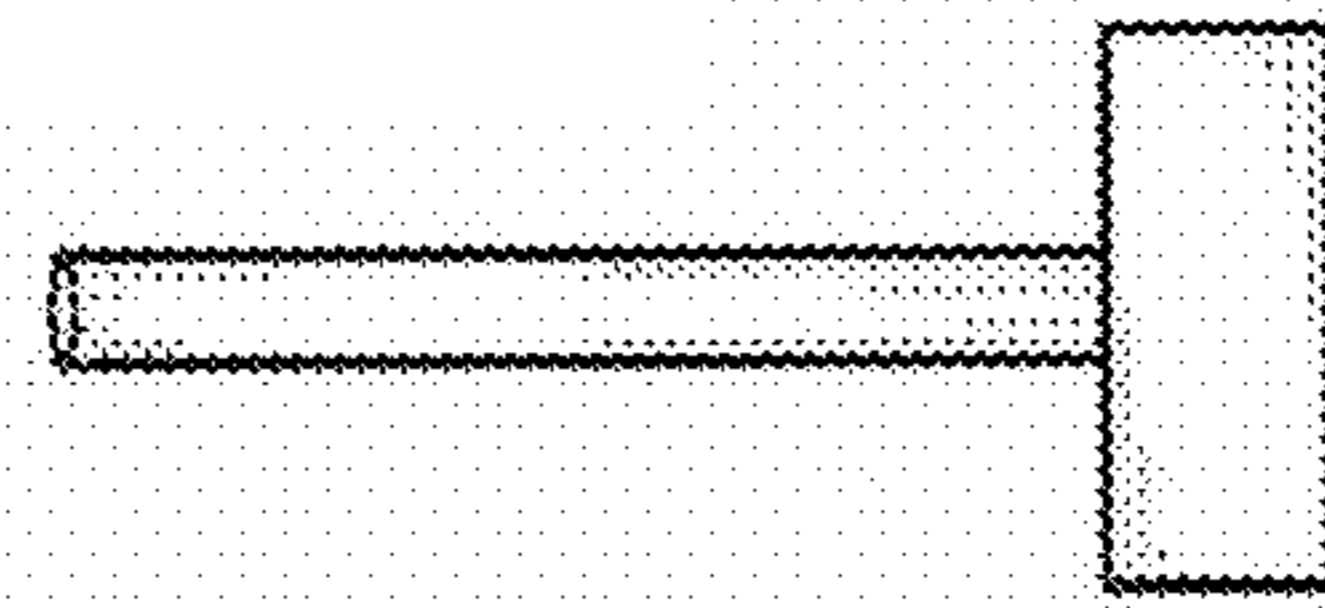


FIG. 4

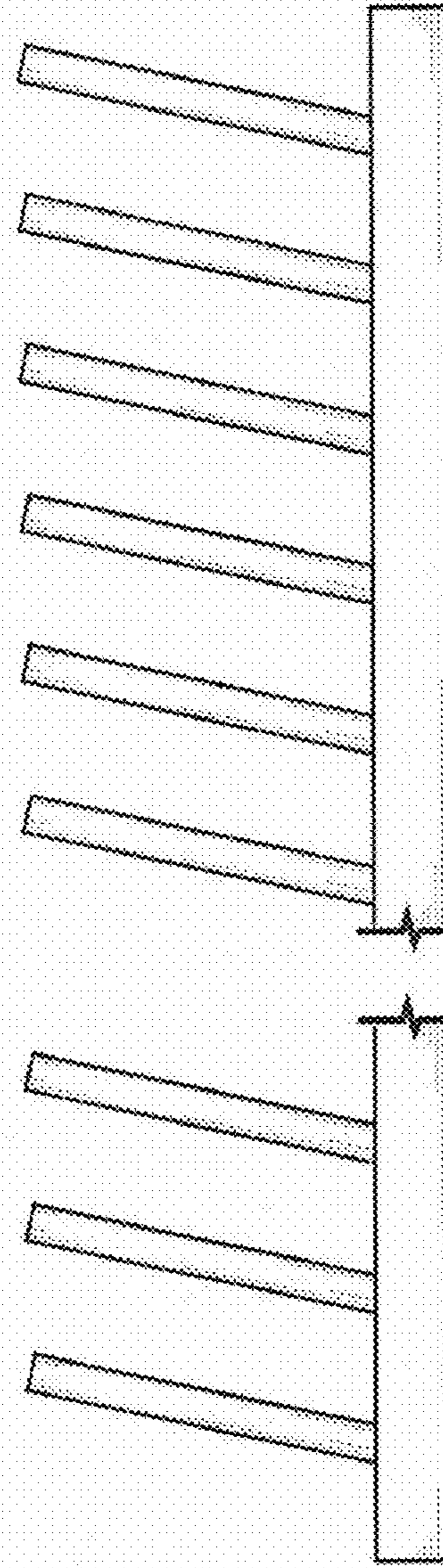


FIG. 3

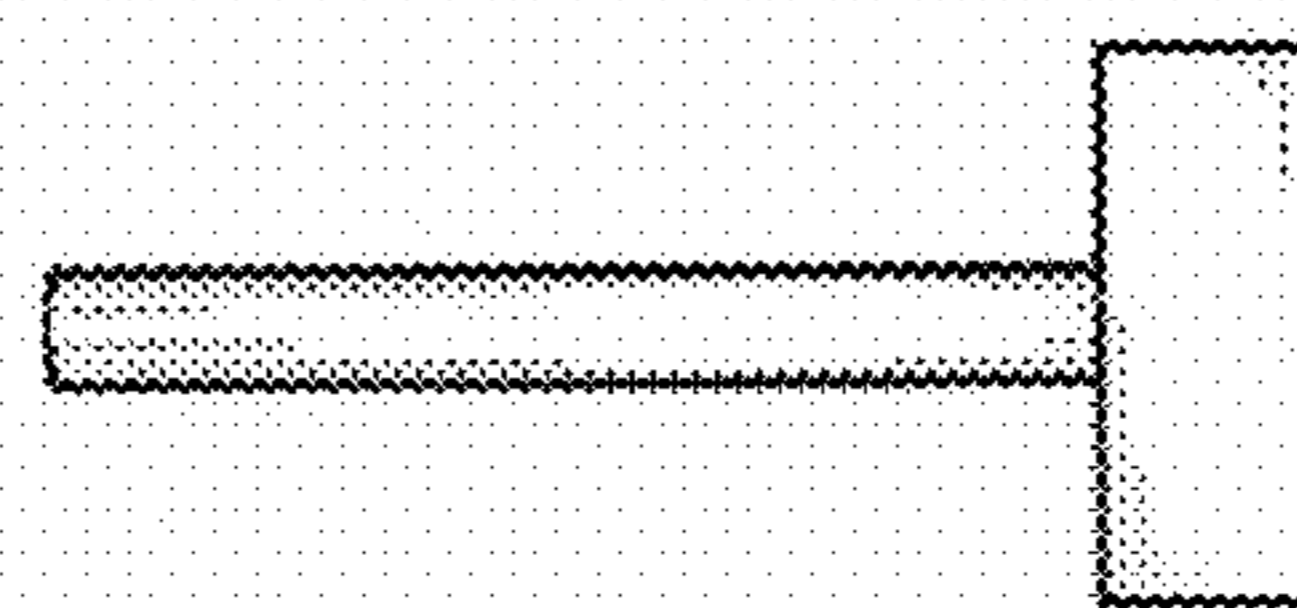


FIG. 5

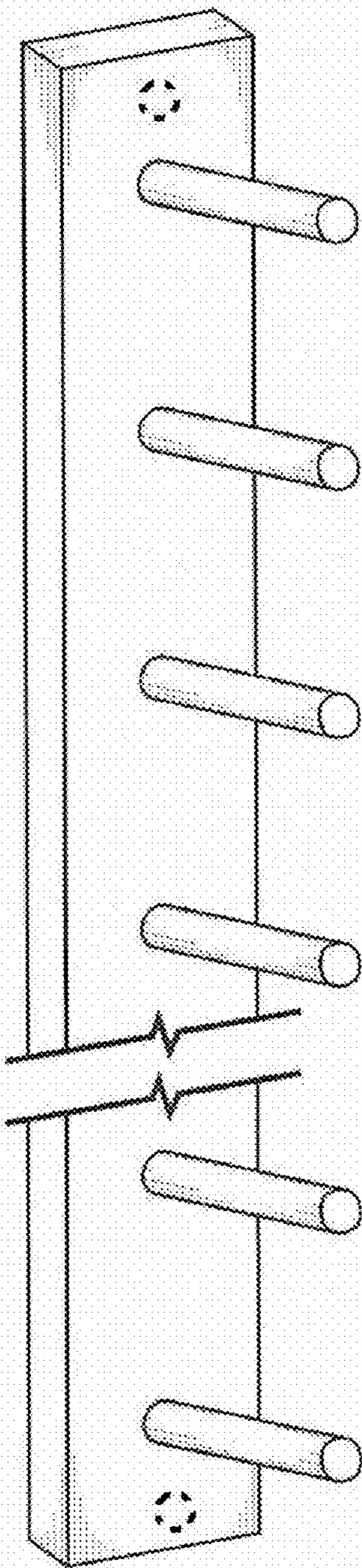


FIG.6



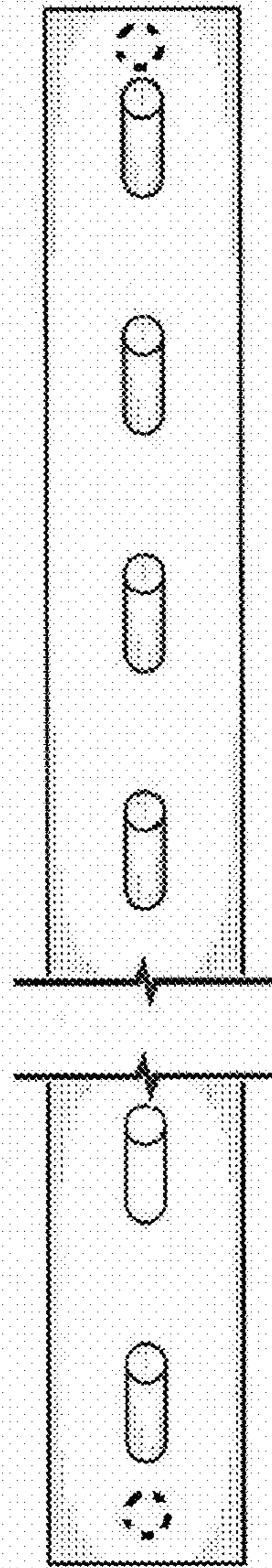


FIG. 7

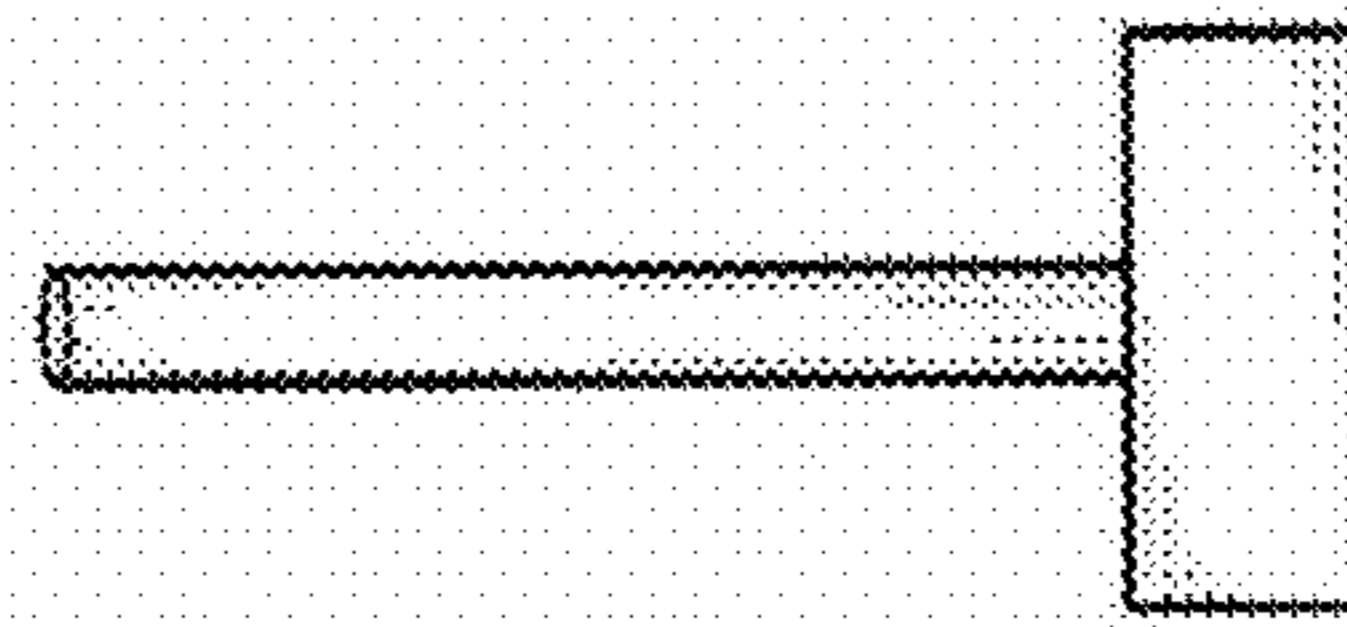


FIG. 9

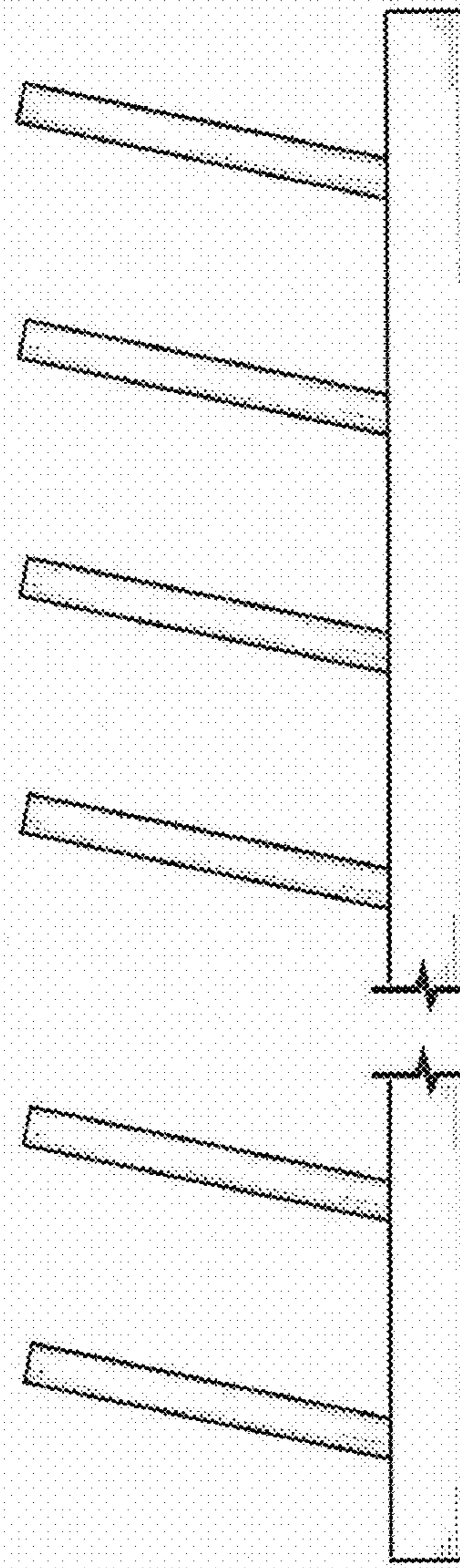


FIG. 8

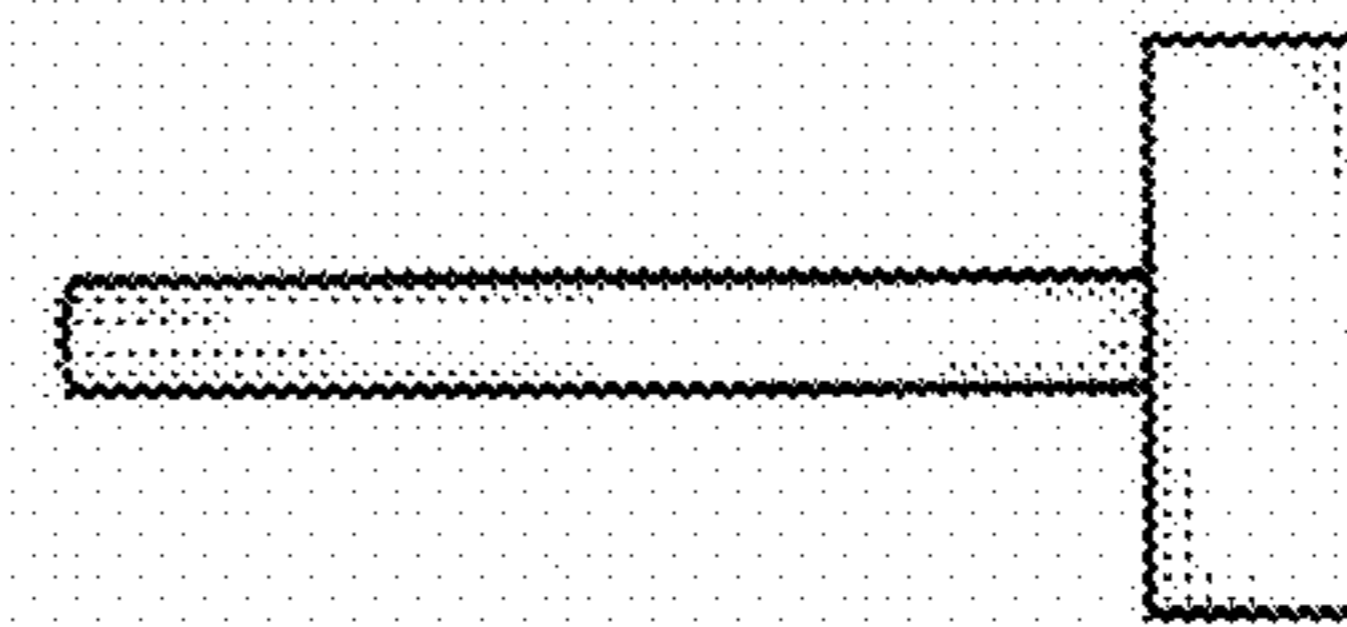


FIG. 10