



US00D677092S

(12) **United States Design Patent**  
**Kozak et al.**

(10) **Patent No.:** **US D677,092 S**  
(45) **Date of Patent:** **\*\* Mar. 5, 2013**

(54) **PRODUCT DISPLAY RACK**

(76) Inventors: **Burton Kozak**, Chicago, IL (US); **Ira Kozak**, Riverwoods, IL (US)

(\*\*) Term: **14 Years**

(21) Appl. No.: **29/422,192**

(22) Filed: **May 17, 2012**

**Related U.S. Application Data**

(62) Division of application No. 29/405,733, filed on Nov. 4, 2011, now Pat. No. Des. 661,935, which is a division of application No. 29/365,676, filed on Jul. 13, 2010, now Pat. No. Des. 651,031.

(51) **LOC (9) Cl.** ..... **06-04**

(52) **U.S. Cl.** ..... **D6/566**

(58) **Field of Classification Search** ..... D6/512-514,  
D6/566, 553, 567, 569, 315, 320, 327; D8/349,  
D8/354, 367, 372; 248/301-304, 309.1,  
248/309.2; 211/13.1, 30, 32, 70.6, 56.01,  
211/87.01, 181.1

See application file for complete search history.

(56) **References Cited**

**U.S. PATENT DOCUMENTS**

D418,349 S \* 1/2000 Schumacher ..... D6/566  
D457,014 S \* 5/2002 Miller ..... D6/566  
D462,220 S \* 9/2002 Battaglia et al. .... D6/566

D533,002 S \* 12/2006 Recknagel et al. .... D6/566  
D533,745 S \* 12/2006 Rodrigue ..... D6/566  
D547,138 S \* 7/2007 Goodman et al. .... D6/566  
D547,955 S \* 8/2007 Johnson et al. .... D6/566

\* cited by examiner

*Primary Examiner* — Brian N Vinson

(74) *Attorney, Agent, or Firm* — Factor Intellectual Property Law Group

(57) **CLAIM**

The ornamental design of a product display rack, as shown.

**DESCRIPTION**

FIG. 1 is a front isometric view of an embodiment of a product display rack including break lines to indicate portions of the product display rack that can be of indefinite length. The break lines do not form part of the claimed design. The concave portions of the face of the rack and the tines of the rack are repeated at regular intervals through the indefinite length portions;

FIG. 2 is a front elevation view of the product display rack of FIG. 1;

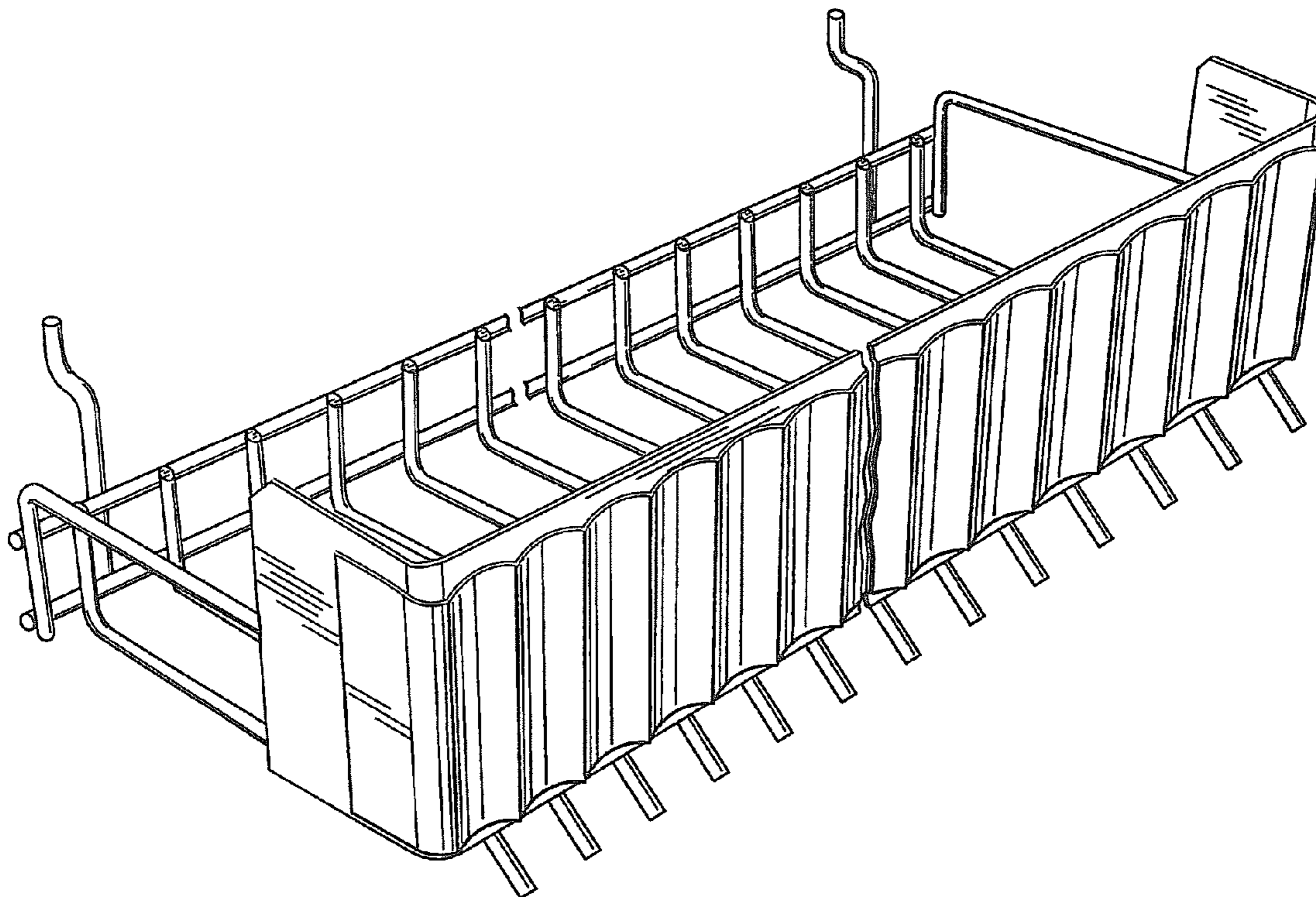
FIG. 3 is a top plan view of the product display rack of FIG. 1

FIG. 4 is a side elevation view of the right side (when viewed from the front) of the product display rack of FIG. 1;

FIG. 5 is a rear elevation view of the product display rack of FIG. 1; and,

FIG. 6 is a bottom plan view of the product display rack of FIG. 1.

**1 Claim, 6 Drawing Sheets**



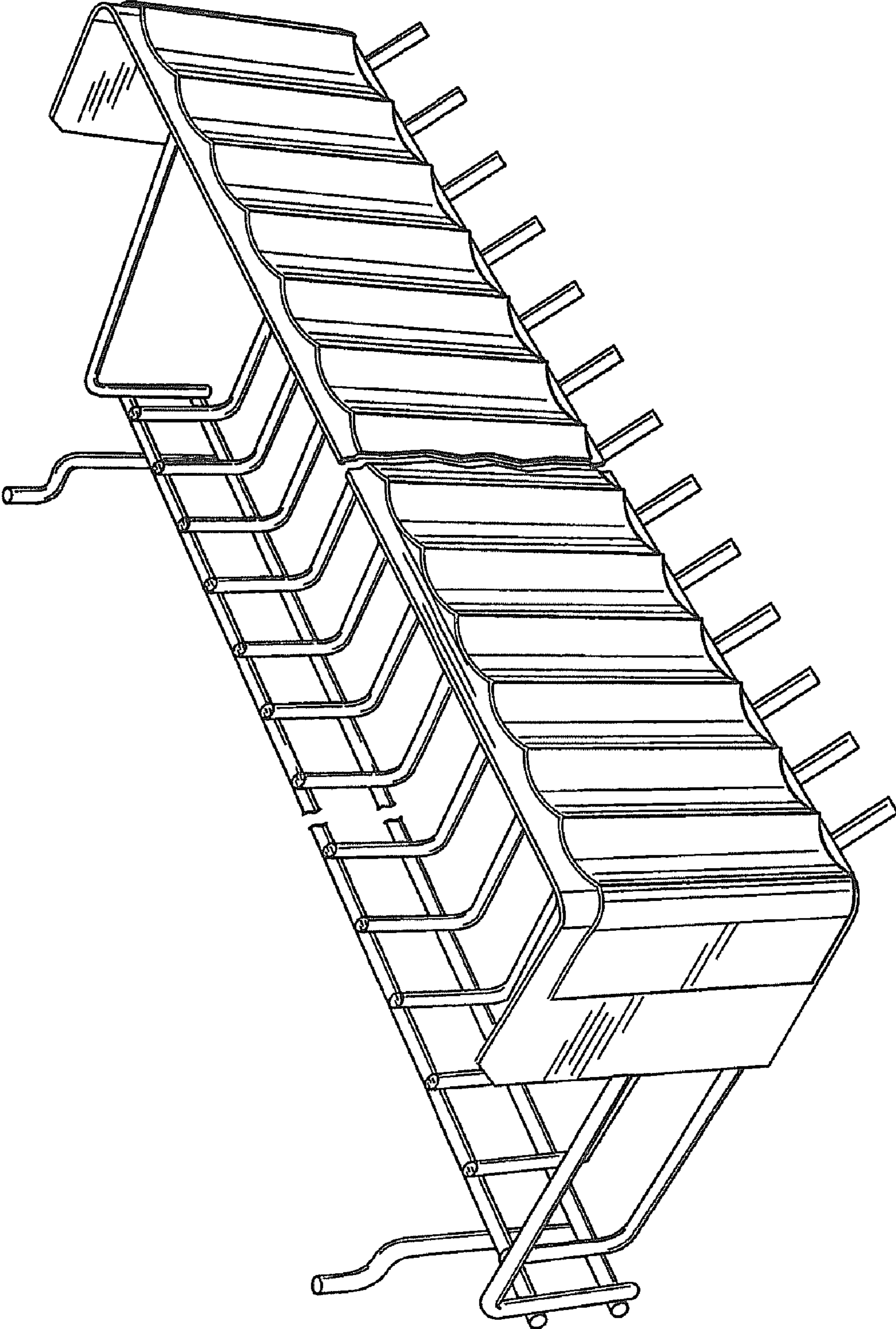


FIG. 1

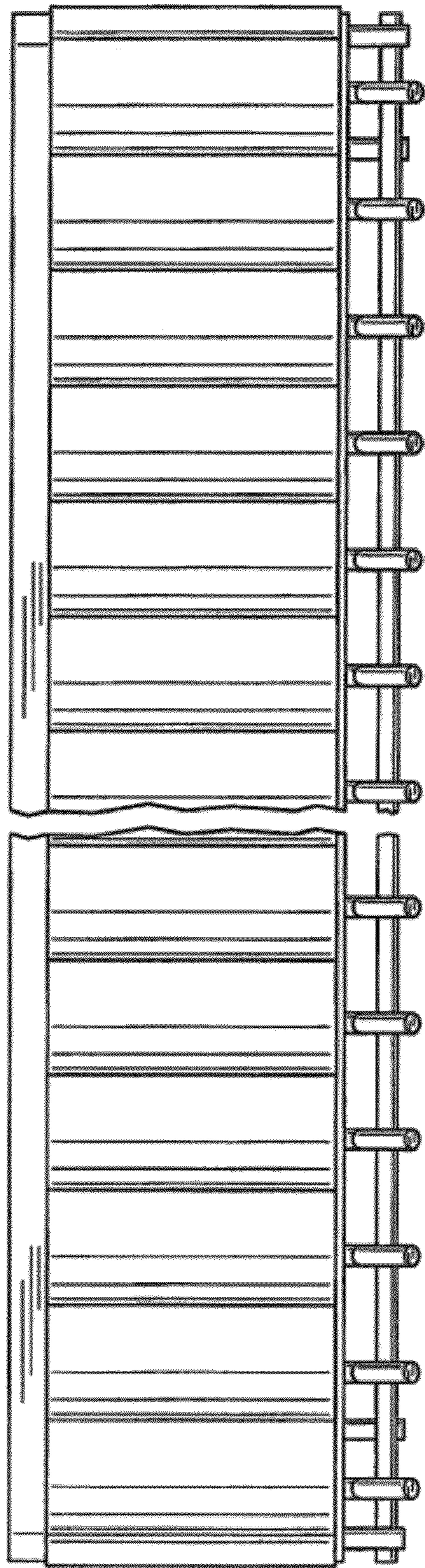


FIG. 2

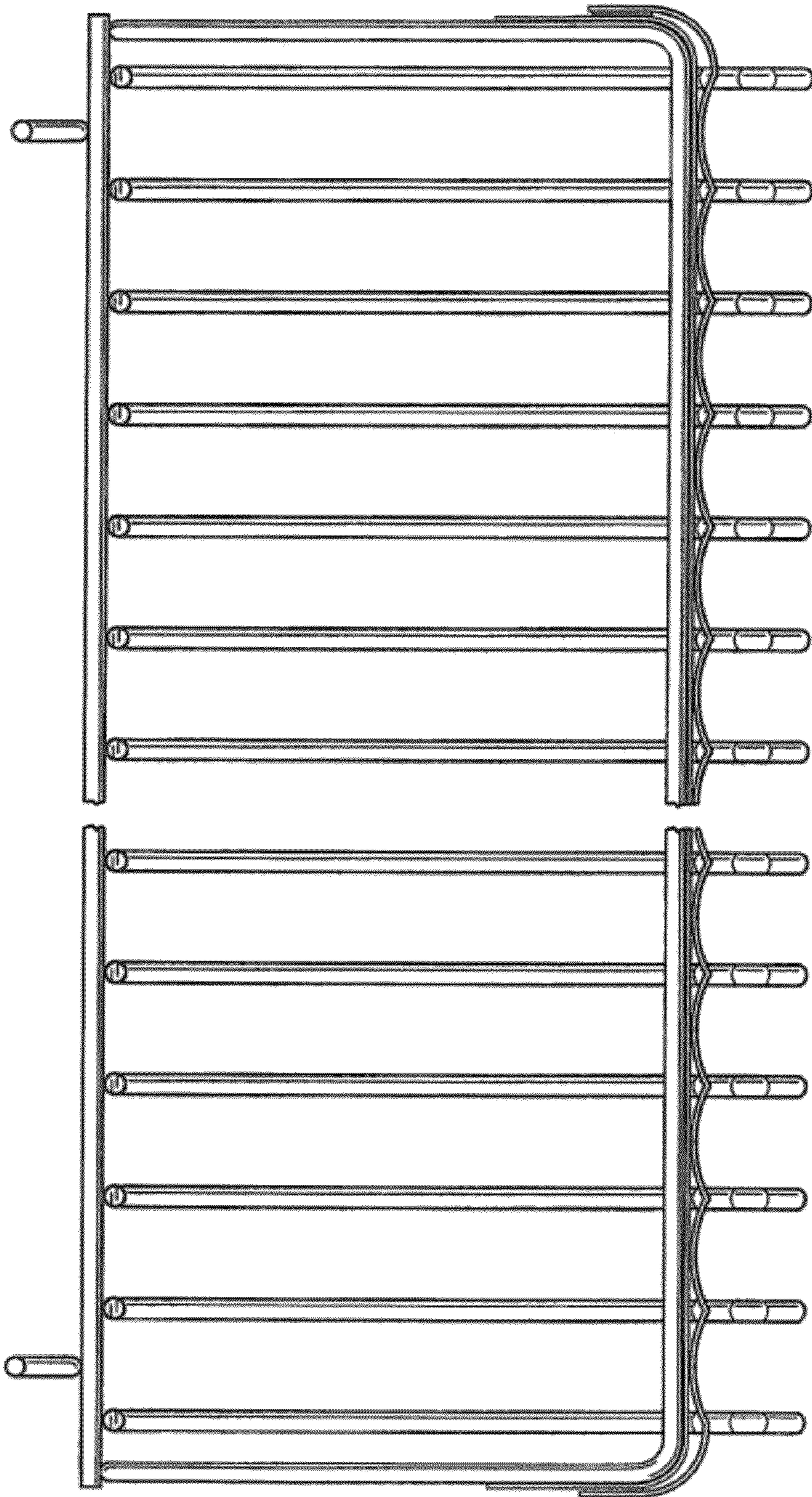


FIG. 3

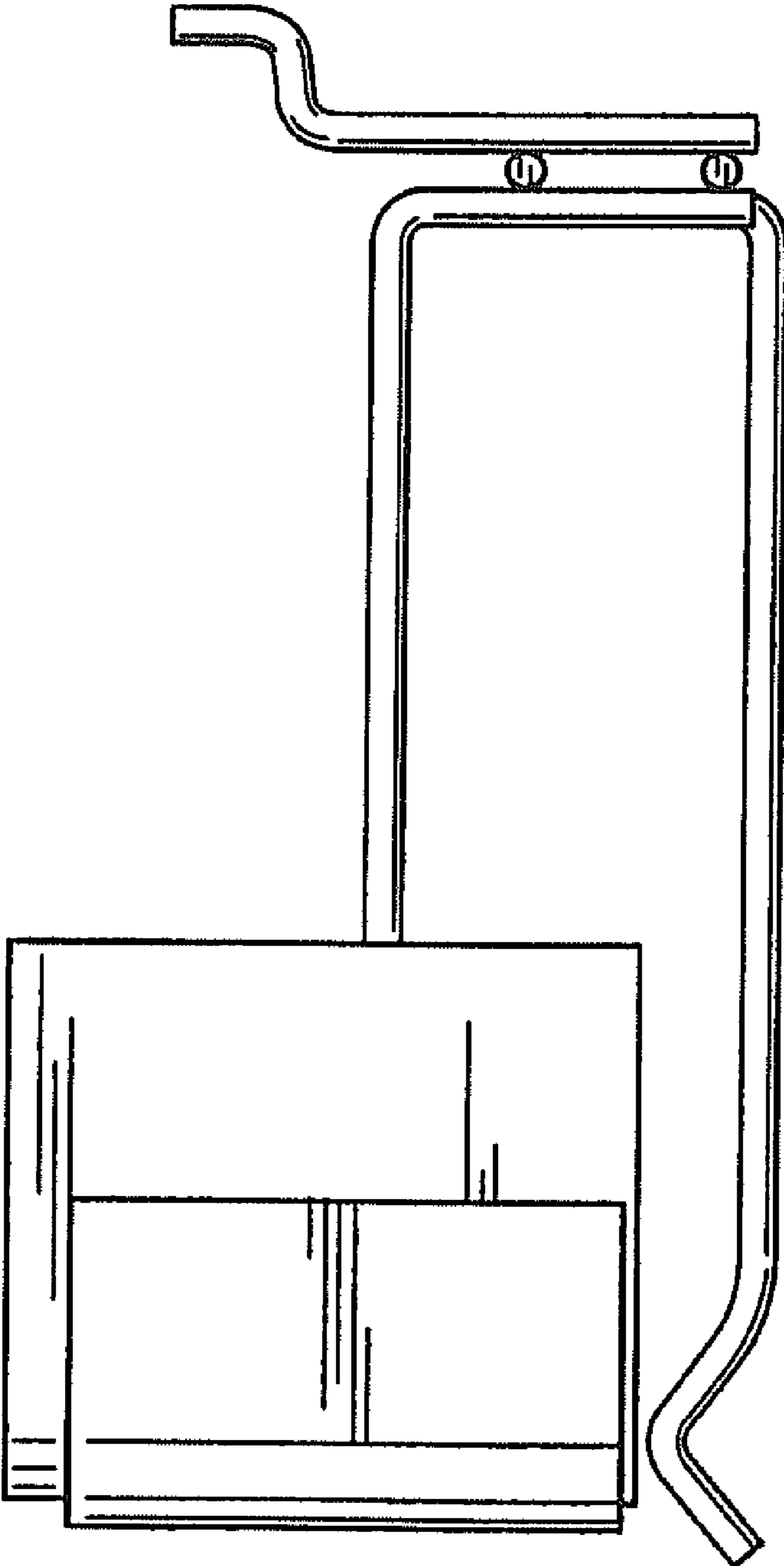


FIG. 4

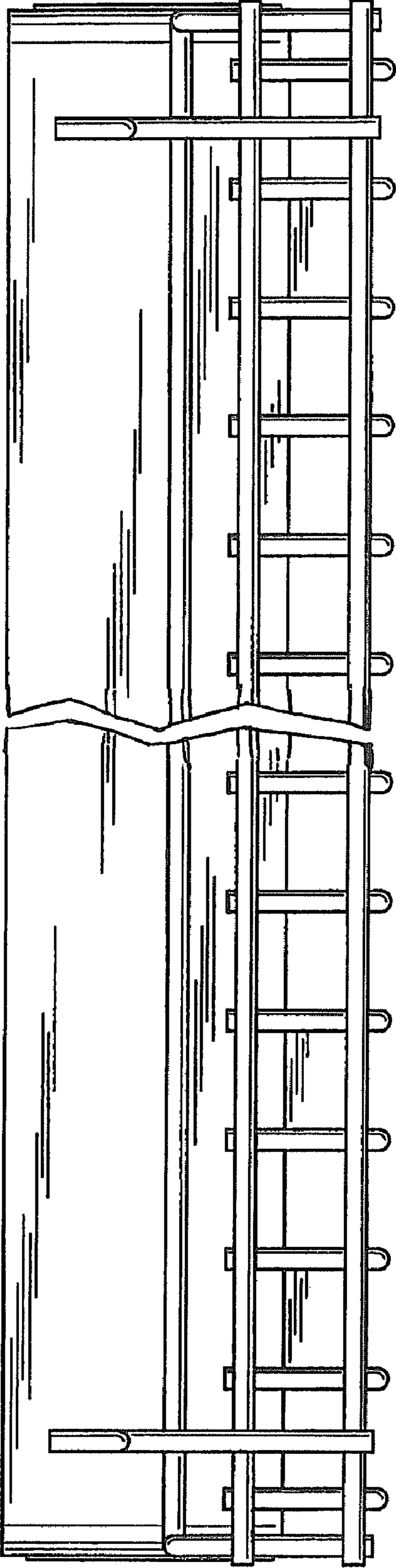


FIG. 5

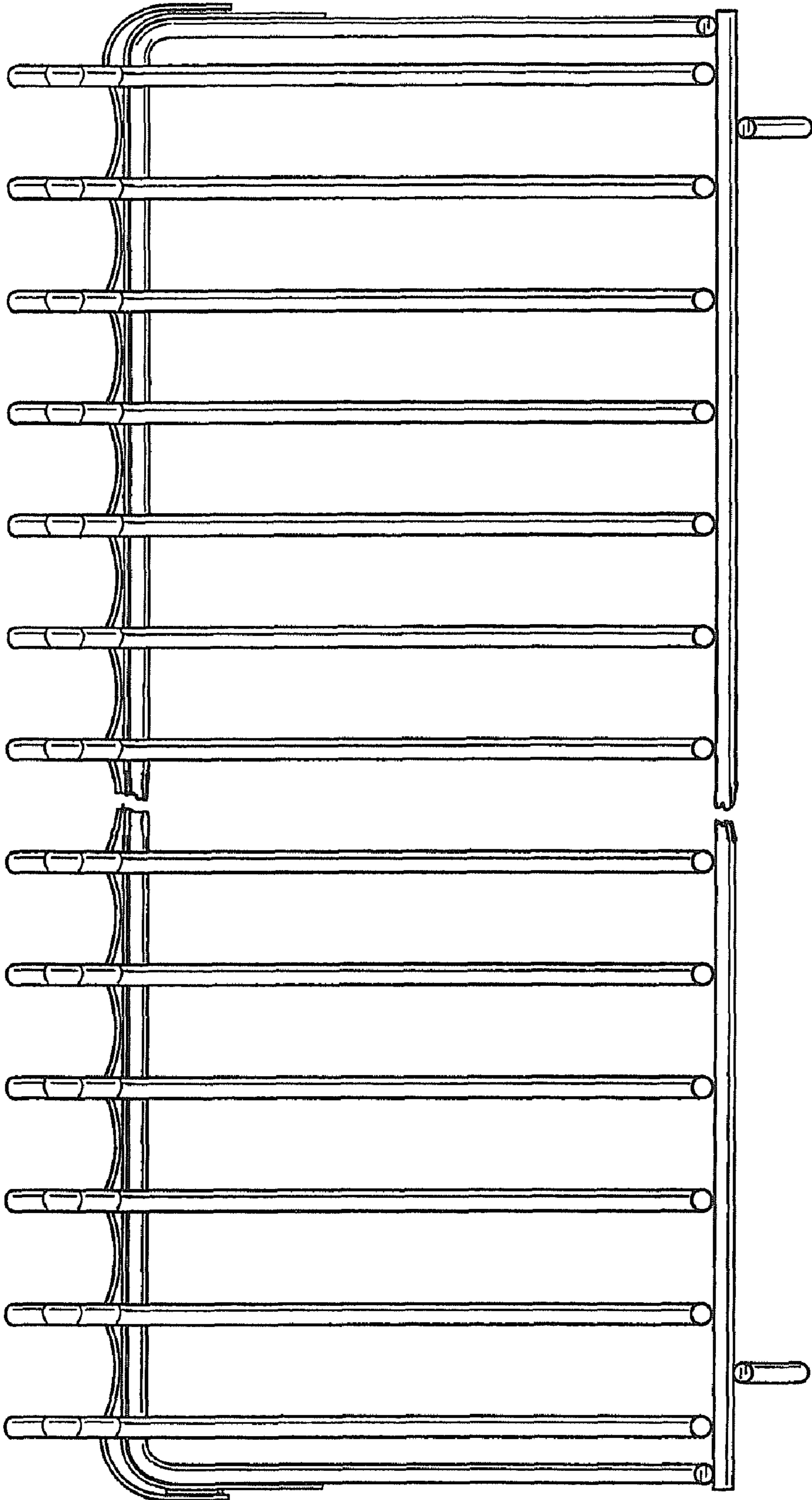


FIG. 6