



US00D677089S

(12) **United States Design Patent**
Tawil

(10) **Patent No.:** **US D677,089 S**
(45) **Date of Patent:** **** Mar. 5, 2013**

(54) **SHOWER CADDY**
(75) Inventor: **Joseph Tawil**, Brooklyn, NY (US)
(73) Assignee: **IDP, LLC**, New York, NY (US)
(**) Term: **14 Years**

D572,062 S * 7/2008 Snider D6/525
D617,128 S * 6/2010 Guindi D6/525
D632,513 S * 2/2011 Cittadino D6/525
D643,236 S * 8/2011 Cittadino D6/525
D644,050 S * 8/2011 Cittadino D6/525
D647,747 S * 11/2011 Guindi D6/525

* cited by examiner

(21) Appl. No.: **29/425,893**

Primary Examiner — Brian N Vinson

(22) Filed: **Jun. 28, 2012**

(57) **CLAIM**

The ornamental design for a shower caddy, as shown and described.

(51) **LOC (9) Cl.** **23-02**

(52) **U.S. Cl.** **D6/525**

(58) **Field of Classification Search** D6/524,
D6/525, 566, 536, 540, 513-514; 211/13.1,
211/74, 71.01, 86.01, 75, 88.01, 90.01, 90.03,
211/106, 119, 126.1, 133.5, 181.1, 134
See application file for complete search history.

DESCRIPTION

FIG. 1 is a perspective view of a shower caddy in accordance with my new design;
FIG. 2 is a front elevational view thereof;
FIG. 3 is a rear elevational view thereof;
FIG. 4 is a left side elevational view thereof;
FIG. 5 is a right side elevational view thereof;
FIG. 6 is a top plan view thereof; and,
FIG. 7 is a bottom plan view thereof.

(56) **References Cited**

U.S. PATENT DOCUMENTS

D479,074 S * 9/2003 Snell D6/525
D530,551 S * 10/2006 Snell D6/525
D566,439 S * 4/2008 Dretzka D6/525

1 Claim, 5 Drawing Sheets

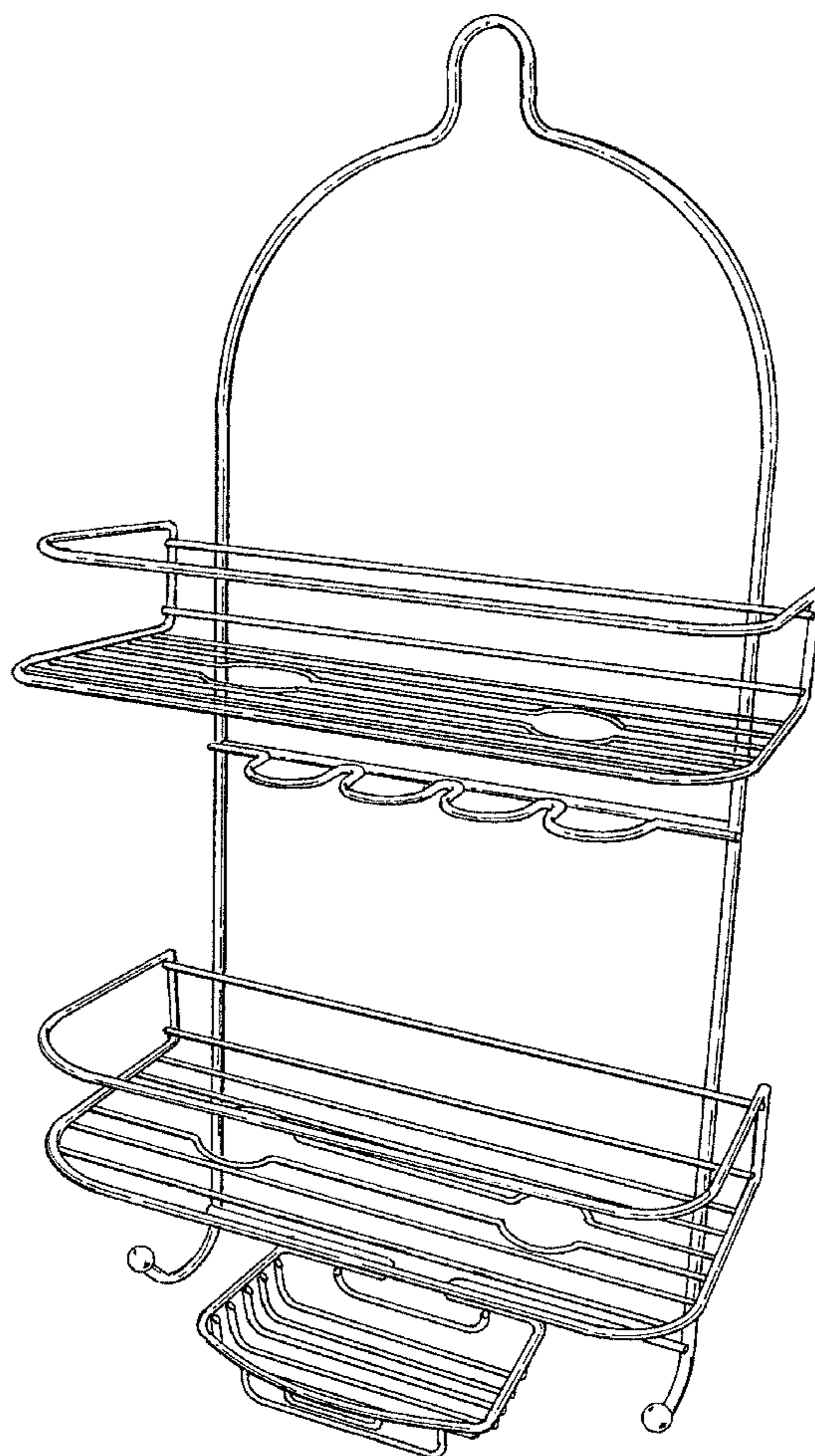


Fig. 1

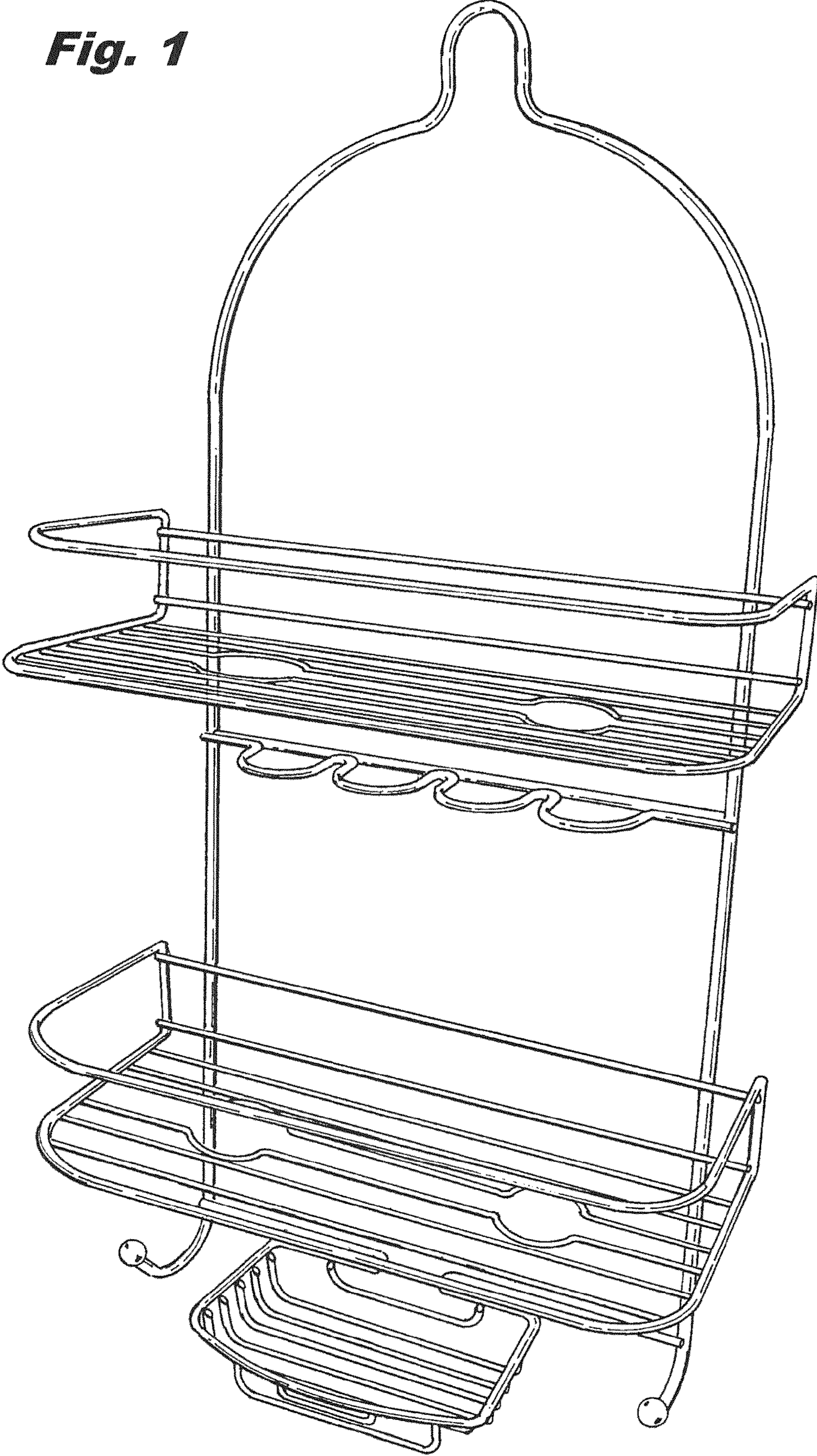


Fig. 2

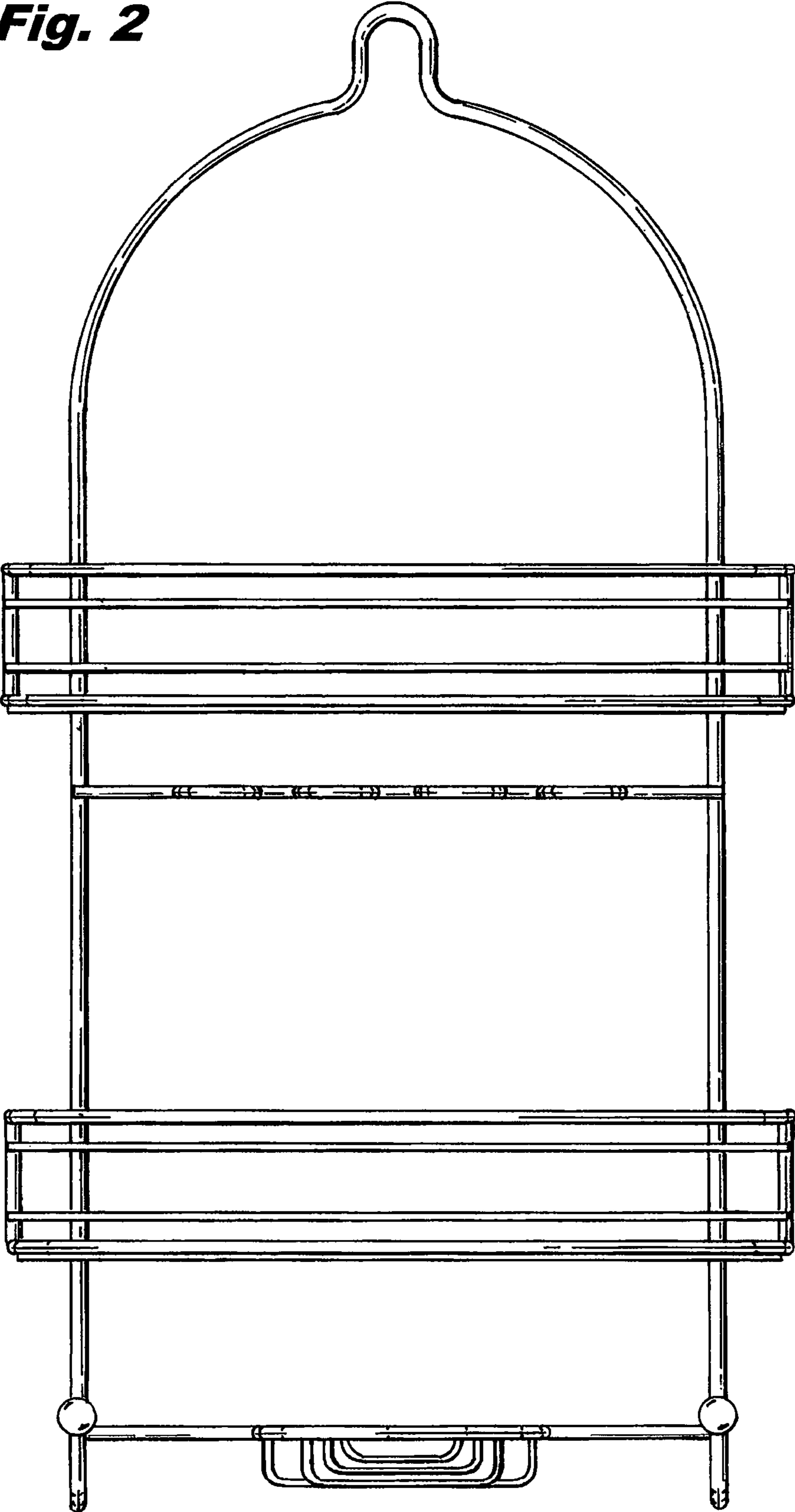


Fig. 3

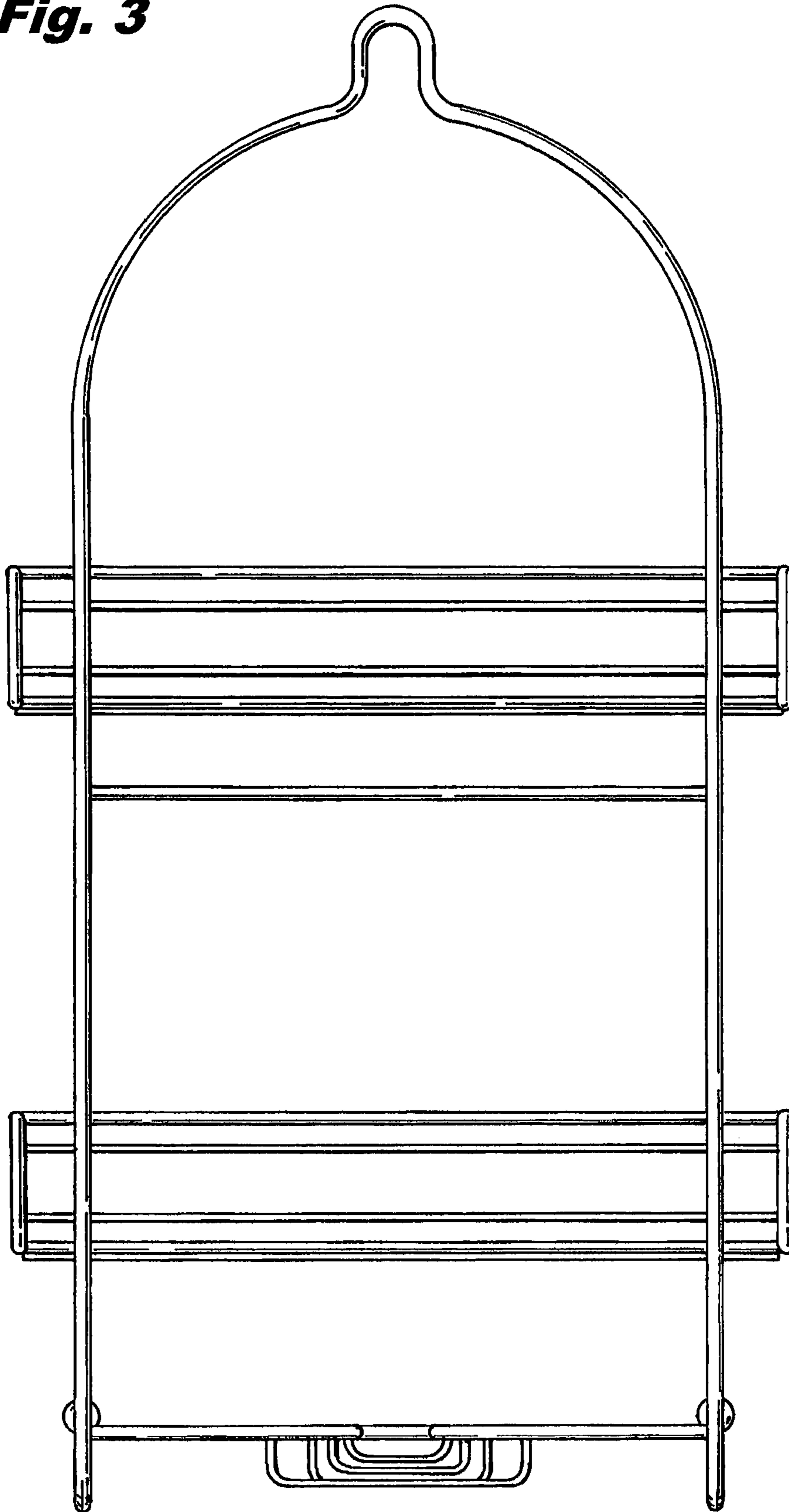
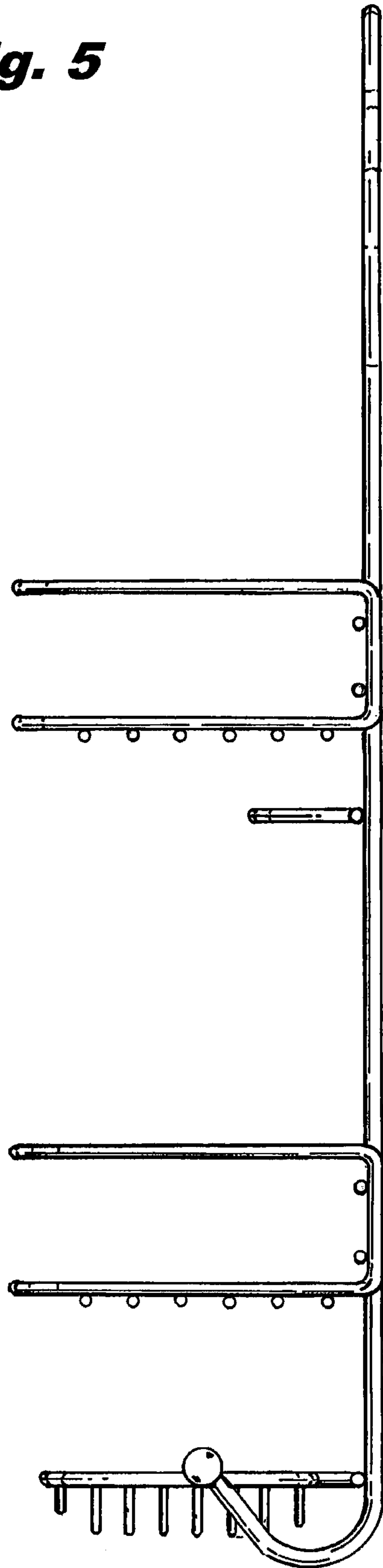
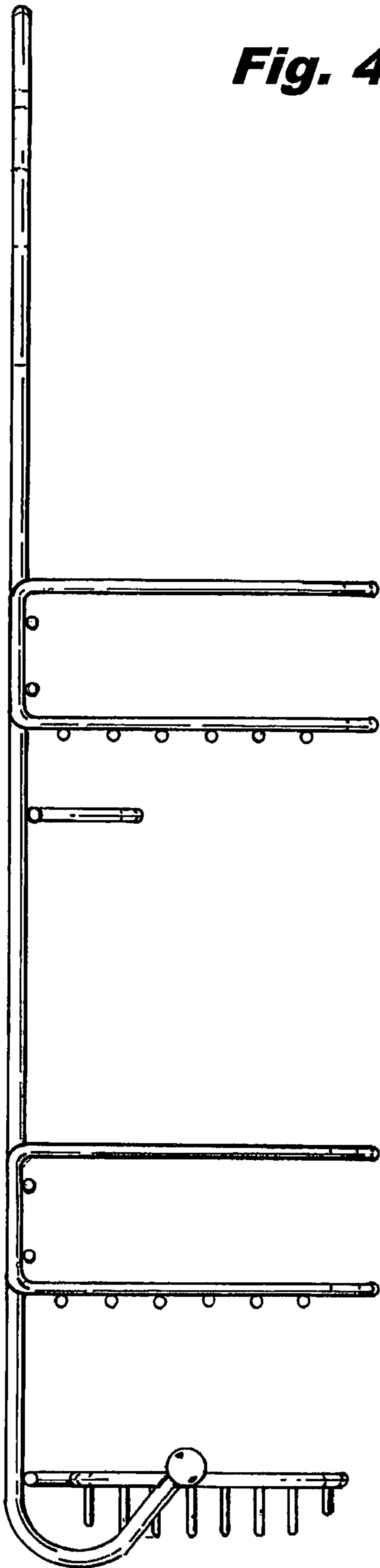


Fig. 4

Fig. 5



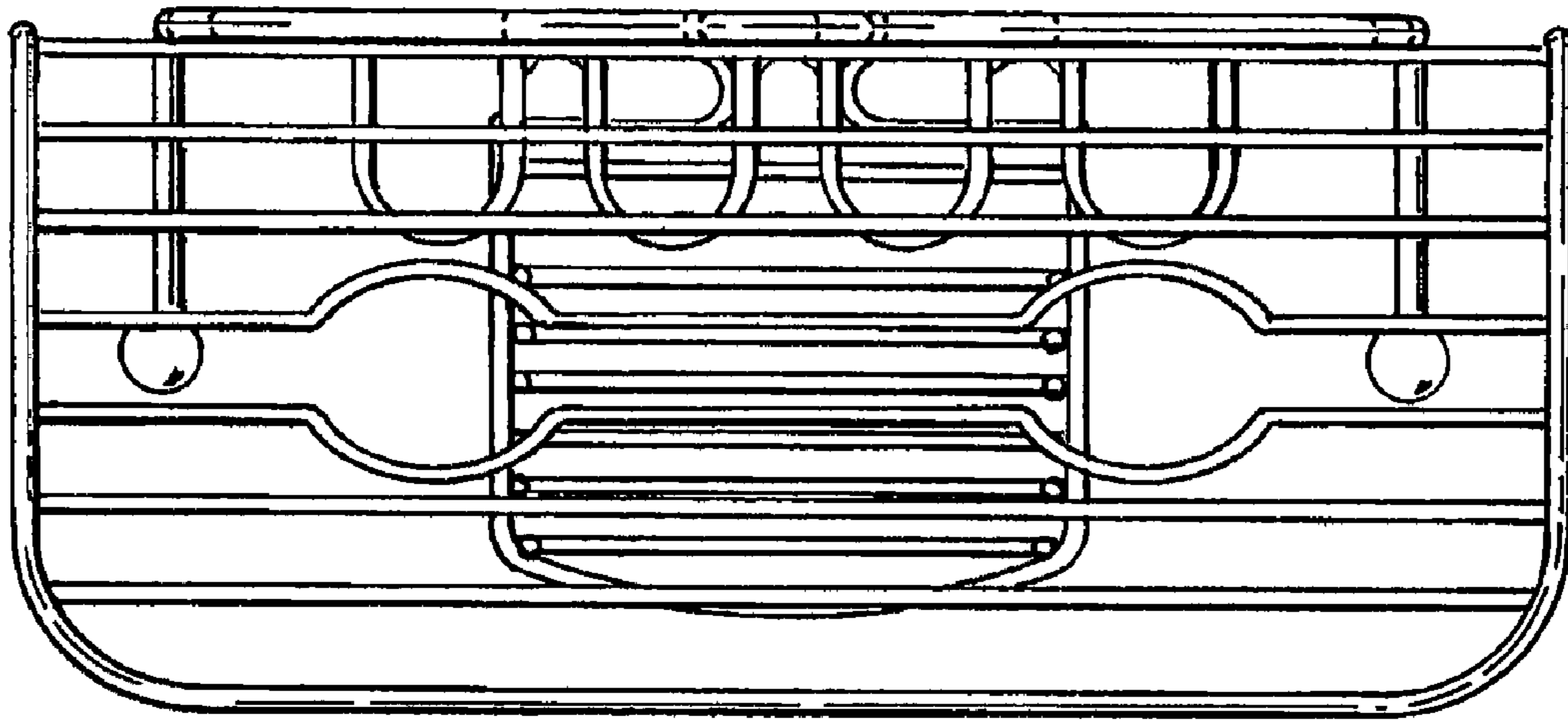


Fig. 6

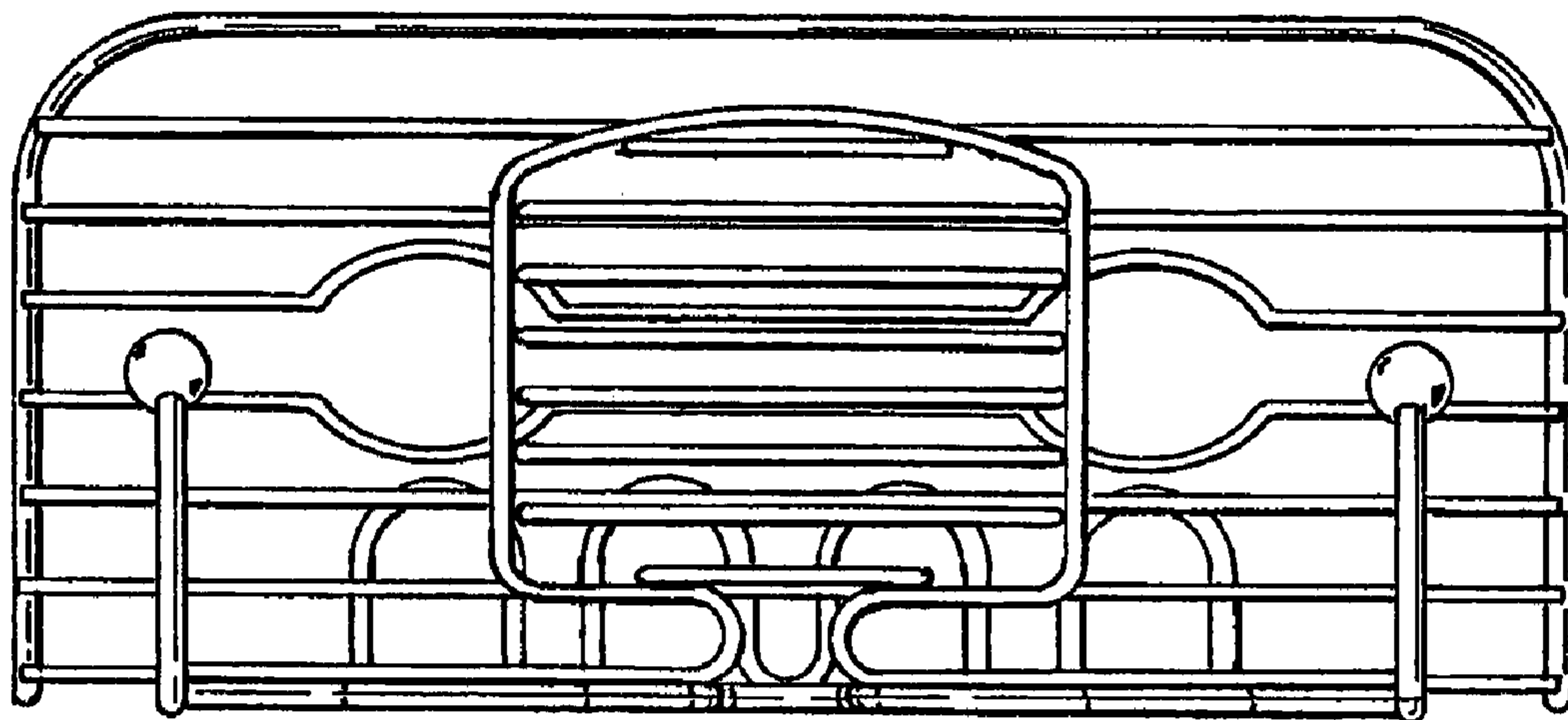


Fig. 7