



US00D677087S

(12) **United States Design Patent**  
**Elshani et al.**

(10) **Patent No.:** **US D677,087 S**  
(45) **Date of Patent:** **\*\* Mar. 5, 2013**

(54) **HYGIENE PRODUCTS CADDY**  
(75) Inventors: **Teuta Elshani**, Woodstock, GA (US);  
**Kelly D. Arehart**, Roswell, GA (US);  
**Richard H. Marriott**, Atlanta, GA (US);  
**Todd James Huthmaker**, Alpharetta,  
GA (US); **Anthony Michael Charles**,  
Seattle, WA (US); **Andrew Shapiro**,  
Shoreline, WA (US); **Tadeo Toulis**, Los  
Angeles, CA (US)

(73) Assignee: **Kimberly-Clark Worldwide, Inc.**,  
Neenah, WI (US)

(\*\*) Term: **14 Years**

(21) Appl. No.: **29/425,192**

(22) Filed: **Jun. 20, 2012**

(51) **LOC (9) Cl.** ..... **23-02**

(52) **U.S. Cl.** ..... **D6/525**

(58) **Field of Classification Search** ..... D6/524,  
D6/525; D7/500, 505, 555, 601, 701, 637;  
D11/131, 143, 146, 152; D28/73; 47/41.1,  
47/65.5, 66.1, 66.6, 66.7, 69; 211/13.1, 69.1,  
211/62, 70.6, 70.7, 119.011; D3/308, 315,  
D3/313

See application file for complete search history.

(56) **References Cited**

**U.S. PATENT DOCUMENTS**

D250,305 S 11/1978 Primiano  
D260,462 S 9/1981 Melamed et al.

D270,979 S 10/1983 Cuminale  
5,035,321 A 7/1991 Denton  
D381,229 S \* 7/1997 Yemini ..... D6/525  
6,021,920 A 2/2000 Aldape  
6,422,389 B1 7/2002 Ritola et al.  
D482,555 S \* 11/2003 Johansson et al. .... D6/525  
7,080,416 B1 \* 7/2006 Portnell ..... 211/119.011  
D556,407 S \* 11/2007 Snell ..... D6/525  
D572,059 S 7/2008 Richardson et al.  
7,832,555 B2 11/2010 Flannery  
D636,198 S \* 4/2011 Gibbs ..... D6/525  
D663,982 S \* 7/2012 Purcell et al. .... D6/525  
2007/0108091 A1 5/2007 Stewart  
2007/0257041 A1 11/2007 Bramlage  
2010/0133132 A1 6/2010 Allan  
2010/0187251 A1 7/2010 Simmons

\* cited by examiner

*Primary Examiner* — Brian N Vinson

(74) *Attorney, Agent, or Firm* — Nancy M. Klembus

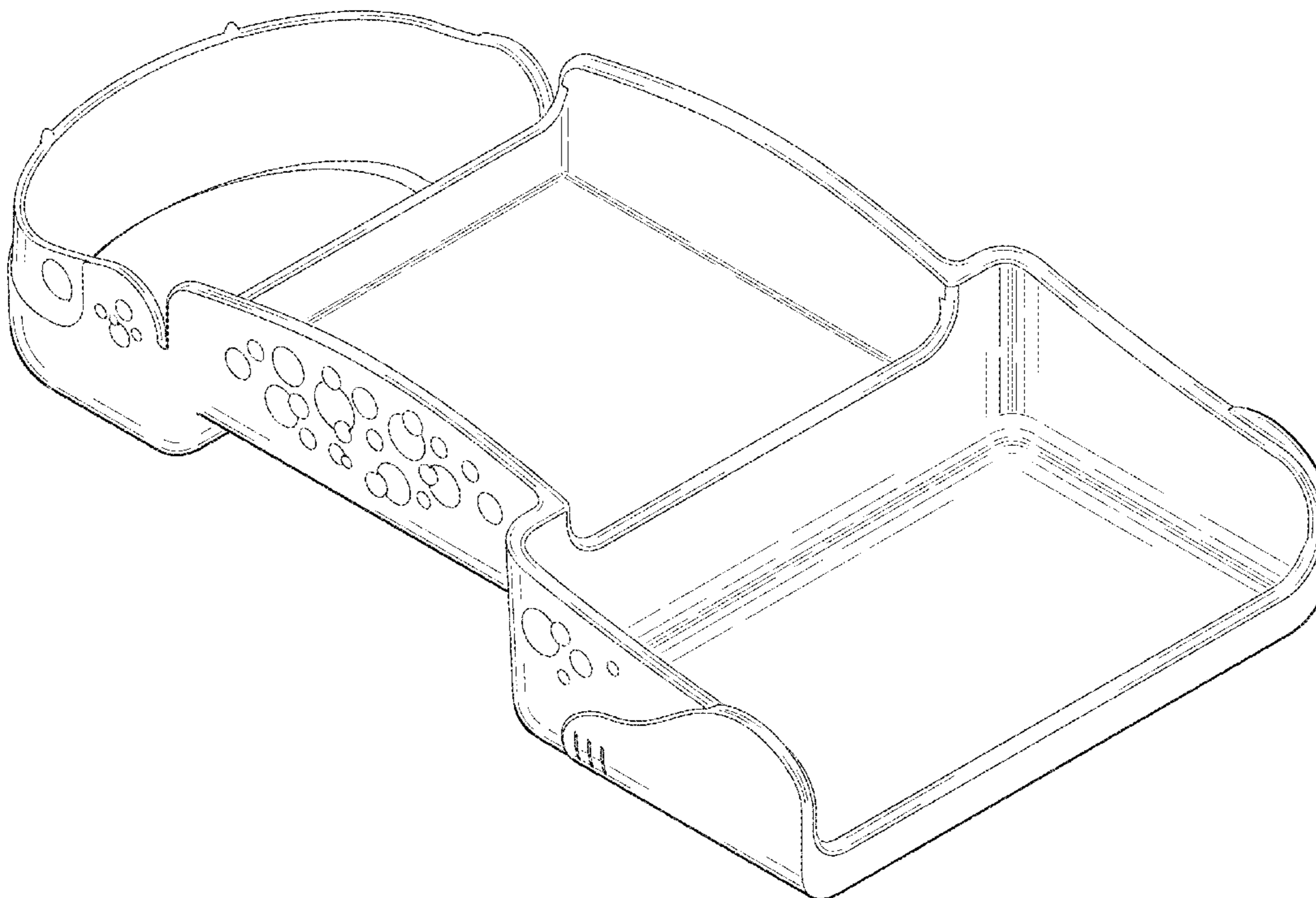
(57) **CLAIM**

The ornamental design for a hygiene products caddy, as shown and described.

**DESCRIPTION**

FIG. 1 is a top, front, and left side perspective view of a hygiene products caddy showing our new design; FIG. 2 is a front elevational view thereof; FIG. 3 is a right side elevational view thereof; FIG. 4 is a left side elevational view thereof; FIG. 5 is a top plan view thereof; FIG. 6 is a bottom plan view thereof; and, FIG. 7 is bottom, rear, and left side perspective view thereof.

**1 Claim, 6 Drawing Sheets**



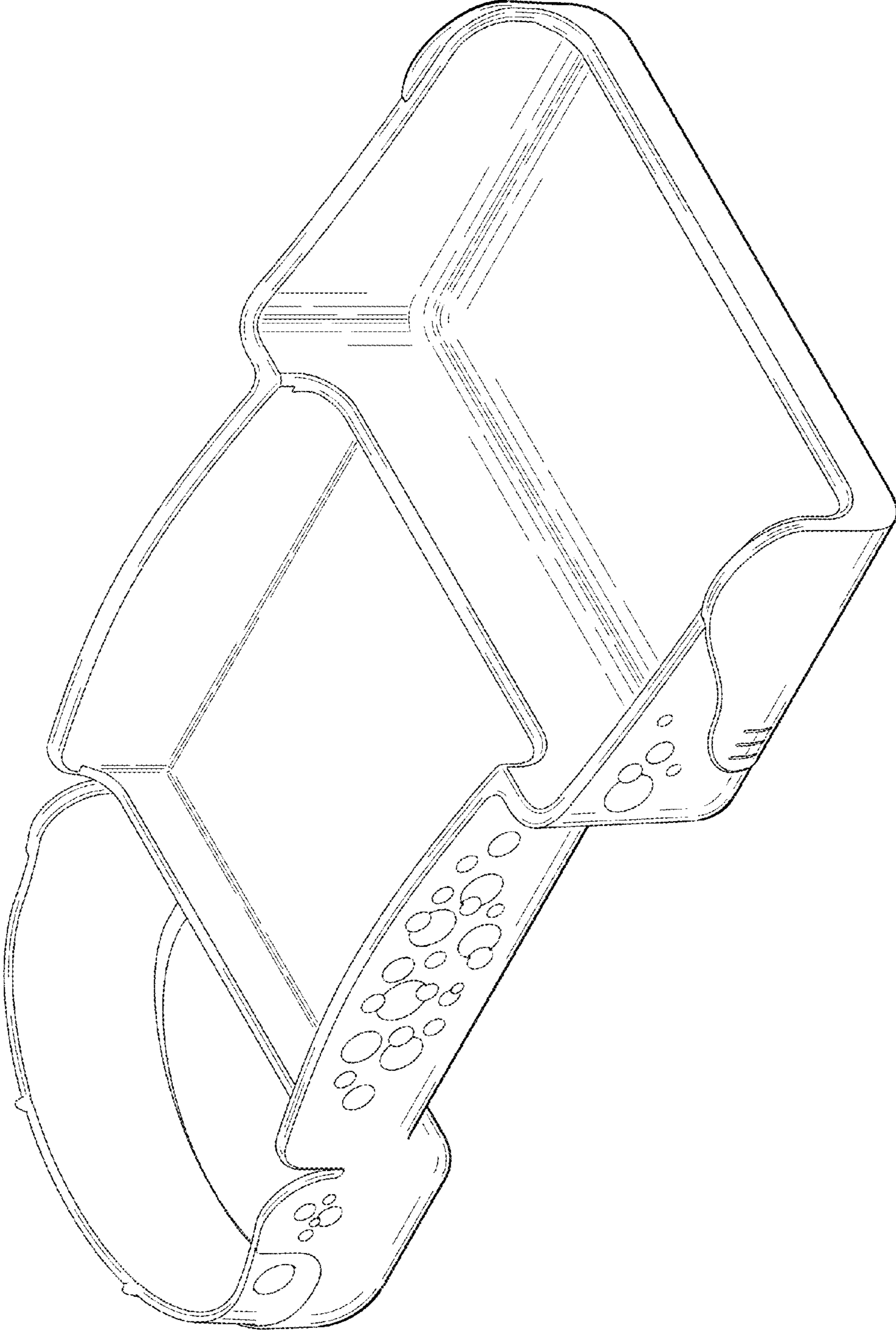


FIG. 1

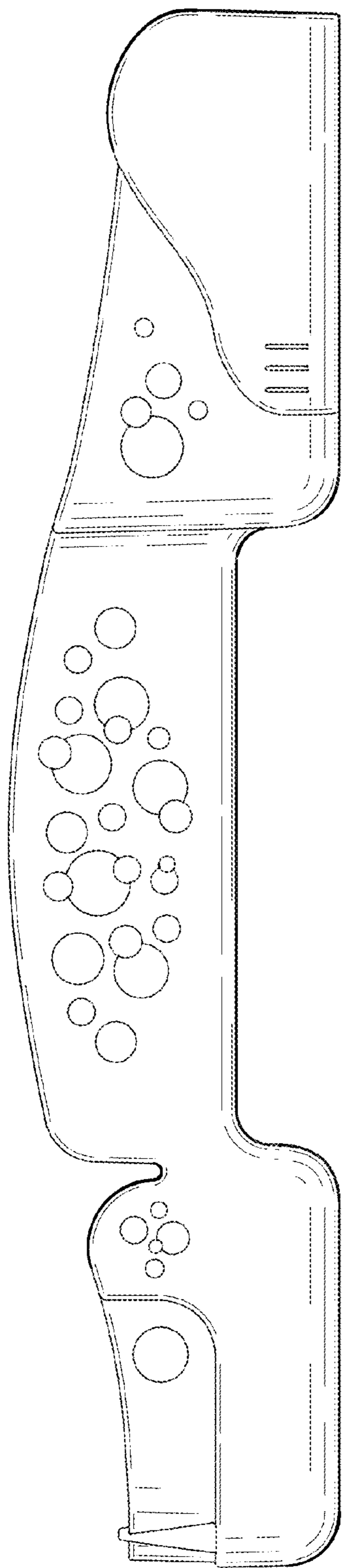


FIG. 2

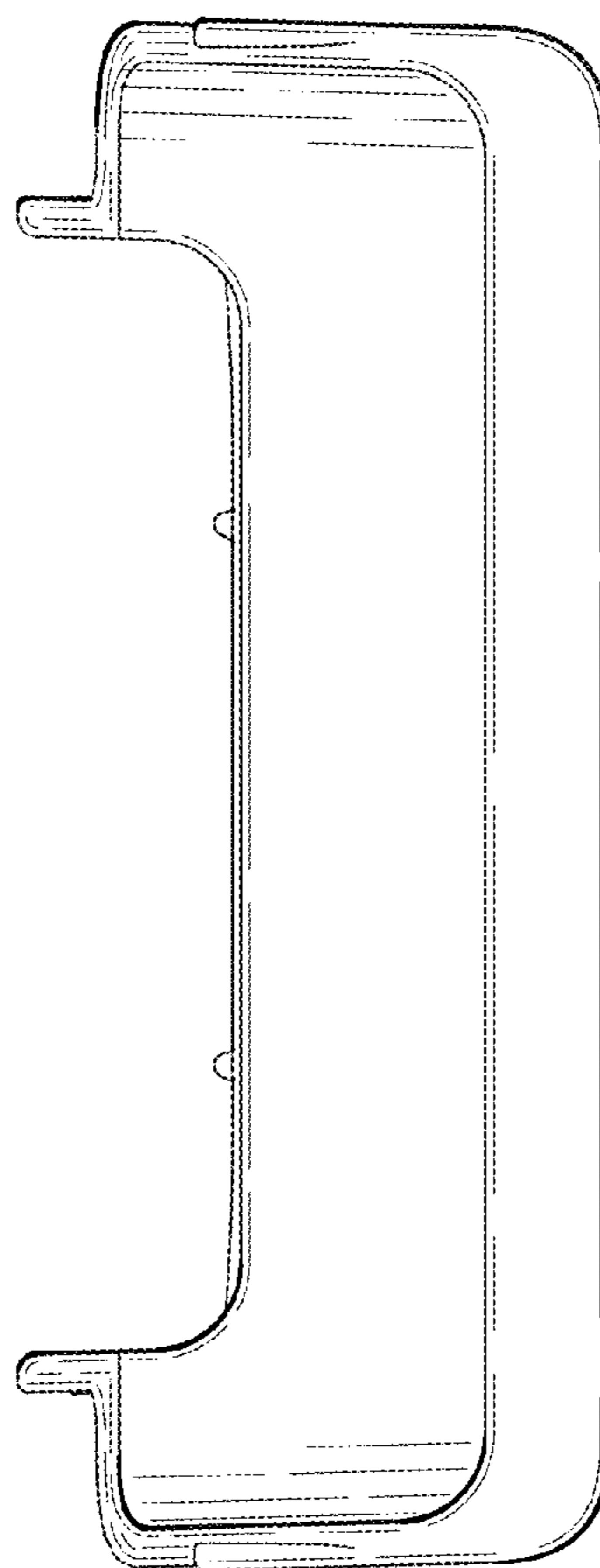


FIG. 3

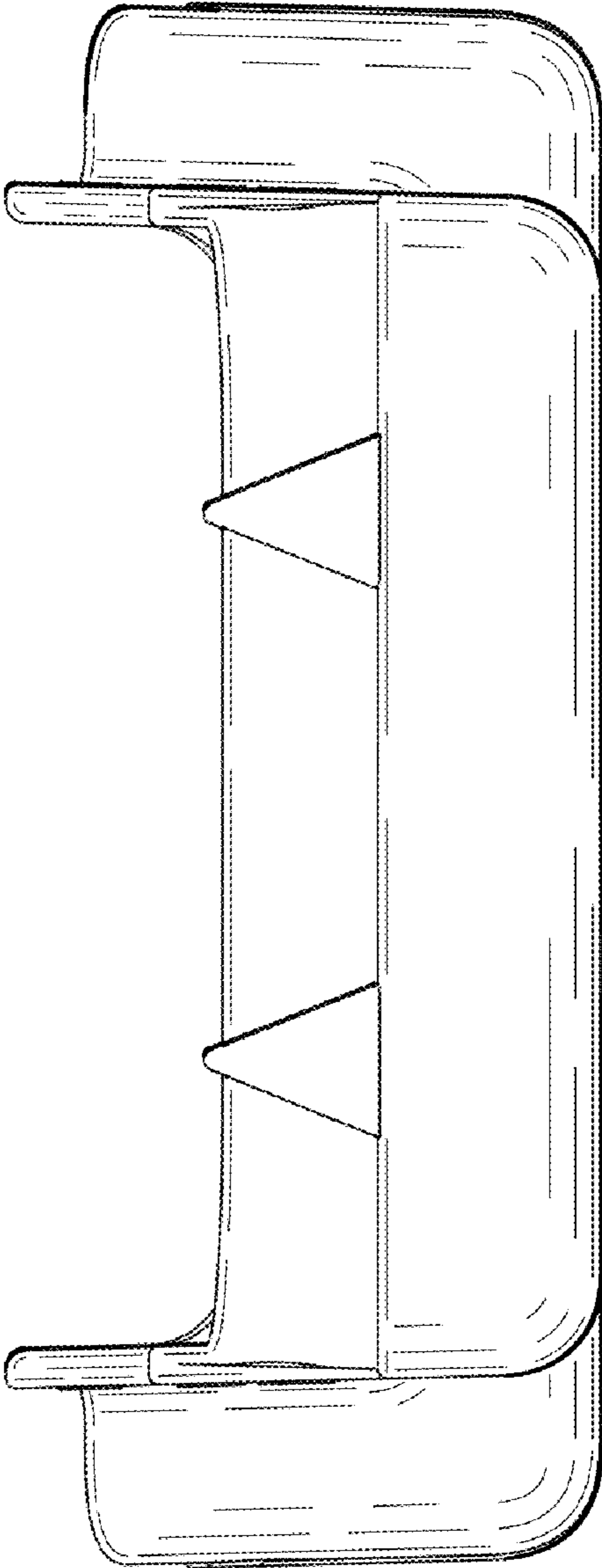


FIG. 4



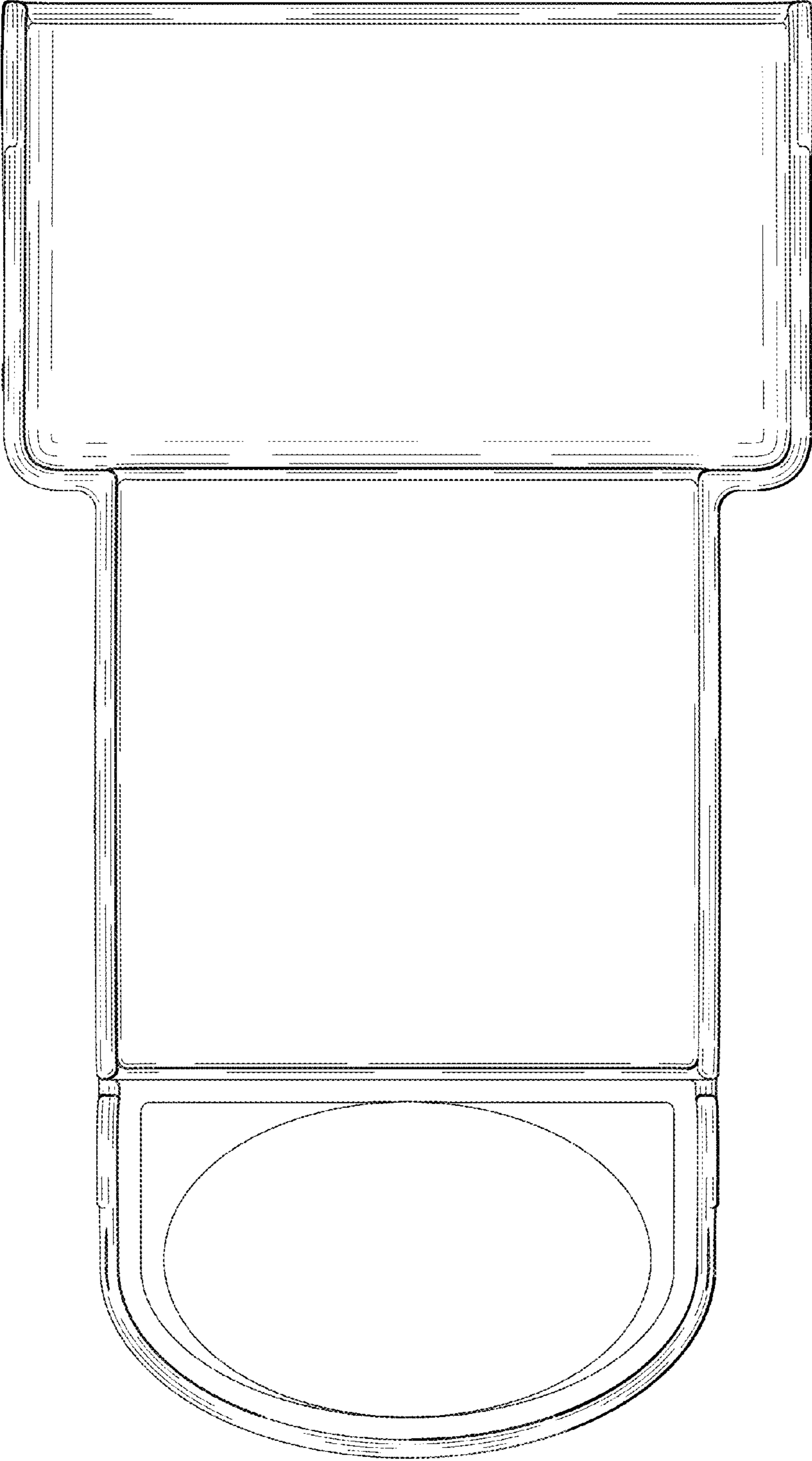


FIG. 5

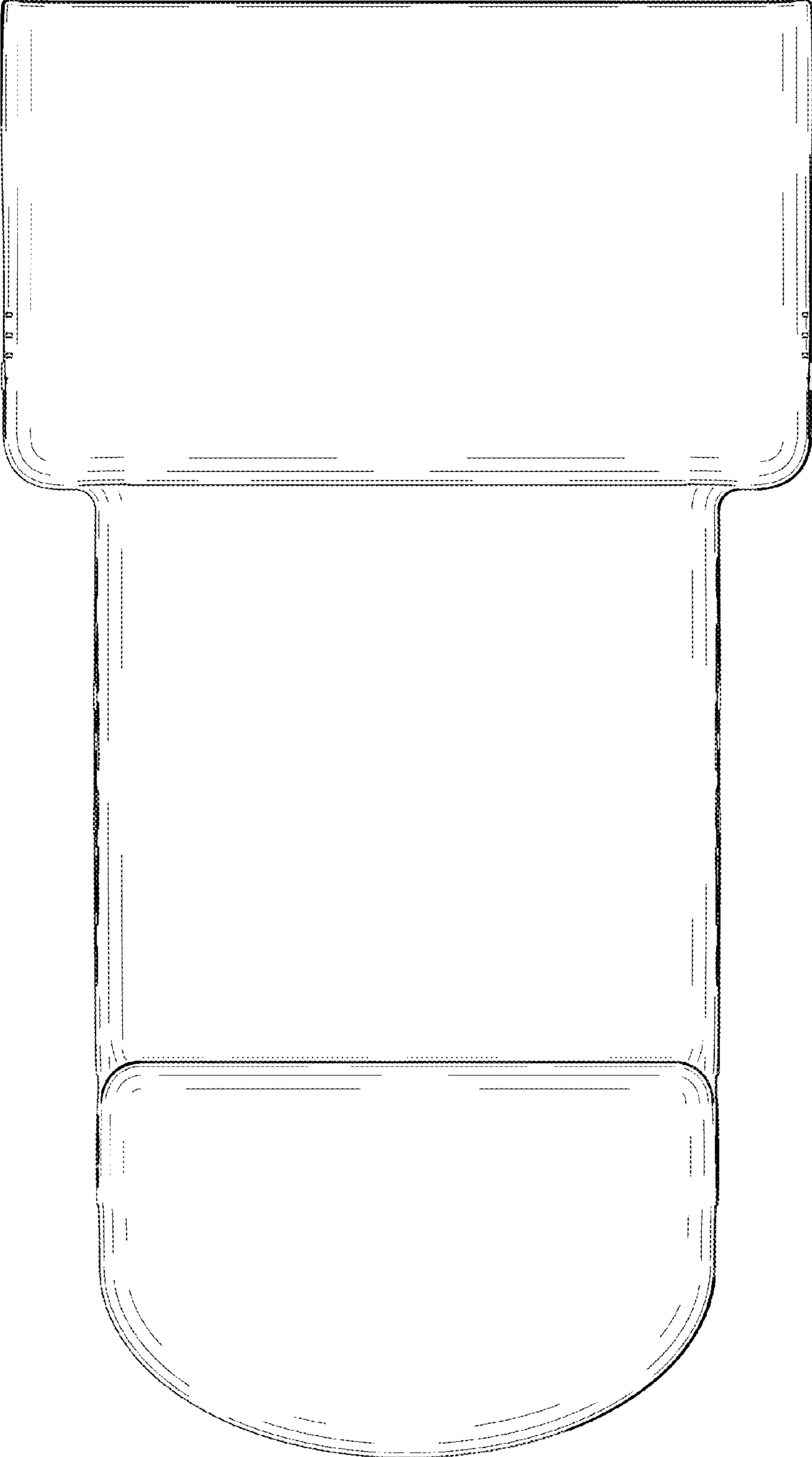


FIG. 6

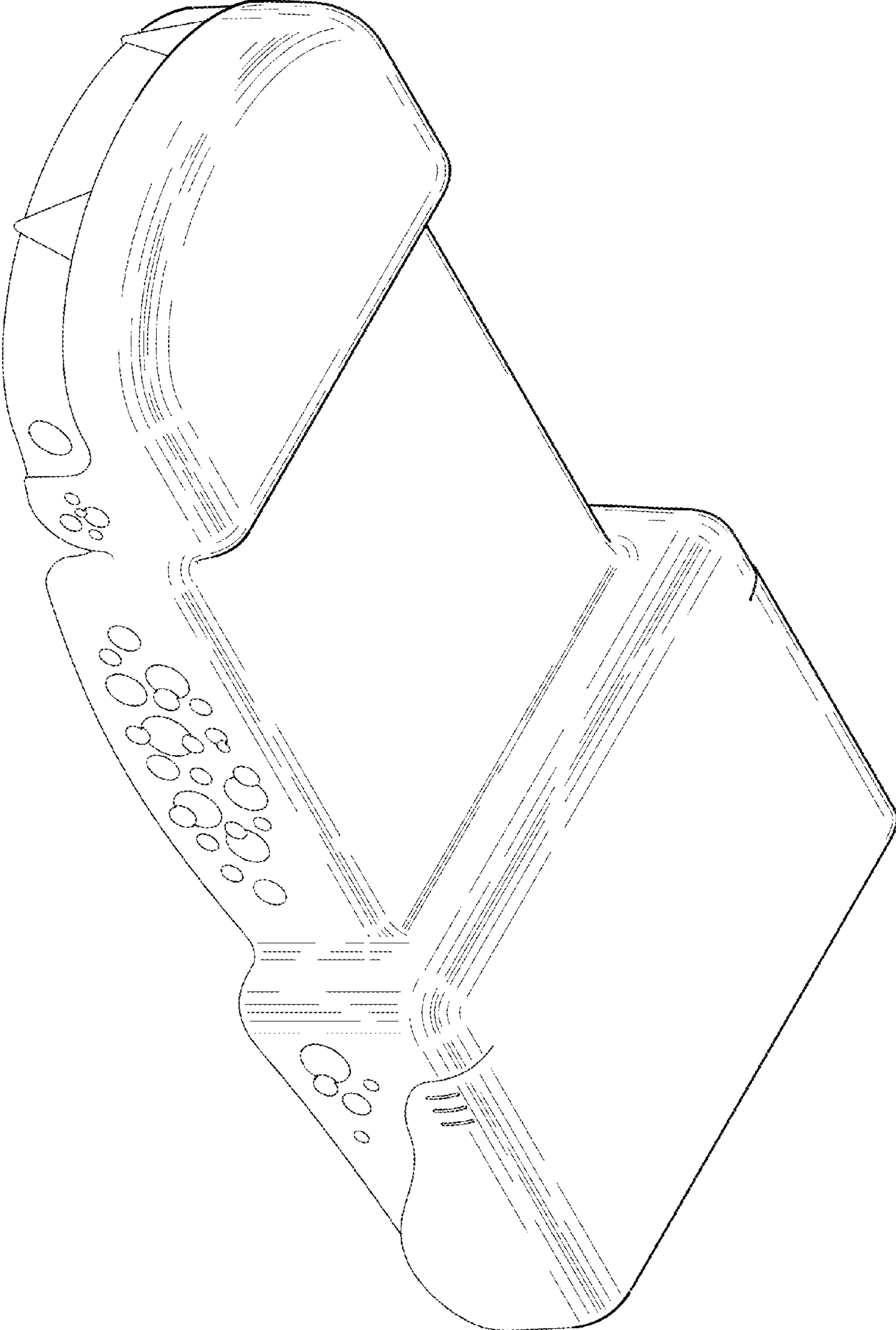


FIG. 7