



US00D677082S

(12) **United States Design Patent**
Kemnitzer et al.

(10) **Patent No.:** **US D677,082 S**
(45) **Date of Patent:** **** Mar. 5, 2013**

(54) **BENCH SUPPORT**

(75) Inventors: **Jonathon Kristian Kemnitzer**, Kansas City, MO (US); **Bradley Jason Satterwhite**, Kansas City, MO (US); **Jonathan Michael Taylor**, Kansas City, MO (US); **Christopher Eric Grill**, Kansas City, MO (US)

(73) Assignee: **Better Design Better Living LLC**, Kansas City, MO (US)

(**) Term: **14 Years**

(21) Appl. No.: **29/418,230**

(22) Filed: **Apr. 13, 2012**

(51) **LOC (9) Cl.** **06-01**

(52) **U.S. Cl.** **D6/499**

(58) **Field of Classification Search** D6/335, D6/340, 349-355, 495, 500-502, 334, 381, D6/499, 480; 297/16.1, 175, 187, 195.1, 297/423.1, 423.11, 423.14, 423.16, 461, 297/462

See application file for complete search history.

(56) **References Cited**

U.S. PATENT DOCUMENTS

D165,078 S * 11/1951 Klein D6/349
D168,430 S * 12/1952 Wright D6/429
D170,311 S * 9/1953 Doherty D6/352

3,016,267 A * 1/1962 Cones 297/423.41
3,667,803 A * 6/1972 Ford 297/119
D287,669 S * 1/1987 Opsvik D6/330
D365,693 S * 1/1996 Jones D6/349
D415,361 S * 10/1999 Moreau D6/349
D444,459 S * 7/2001 Matt et al. D14/217
D536,753 S * 2/2007 Rongo D21/685
D546,588 S * 7/2007 Massaud D6/480
D562,016 S * 2/2008 Tomasch et al. D6/349
D616,906 S * 6/2010 Bender et al. D15/144
D668,077 S * 10/2012 Edi D6/430

* cited by examiner

Primary Examiner — Sandra Snapp

(74) *Attorney, Agent, or Firm* — Spencer Fane Britt & Browne LLP

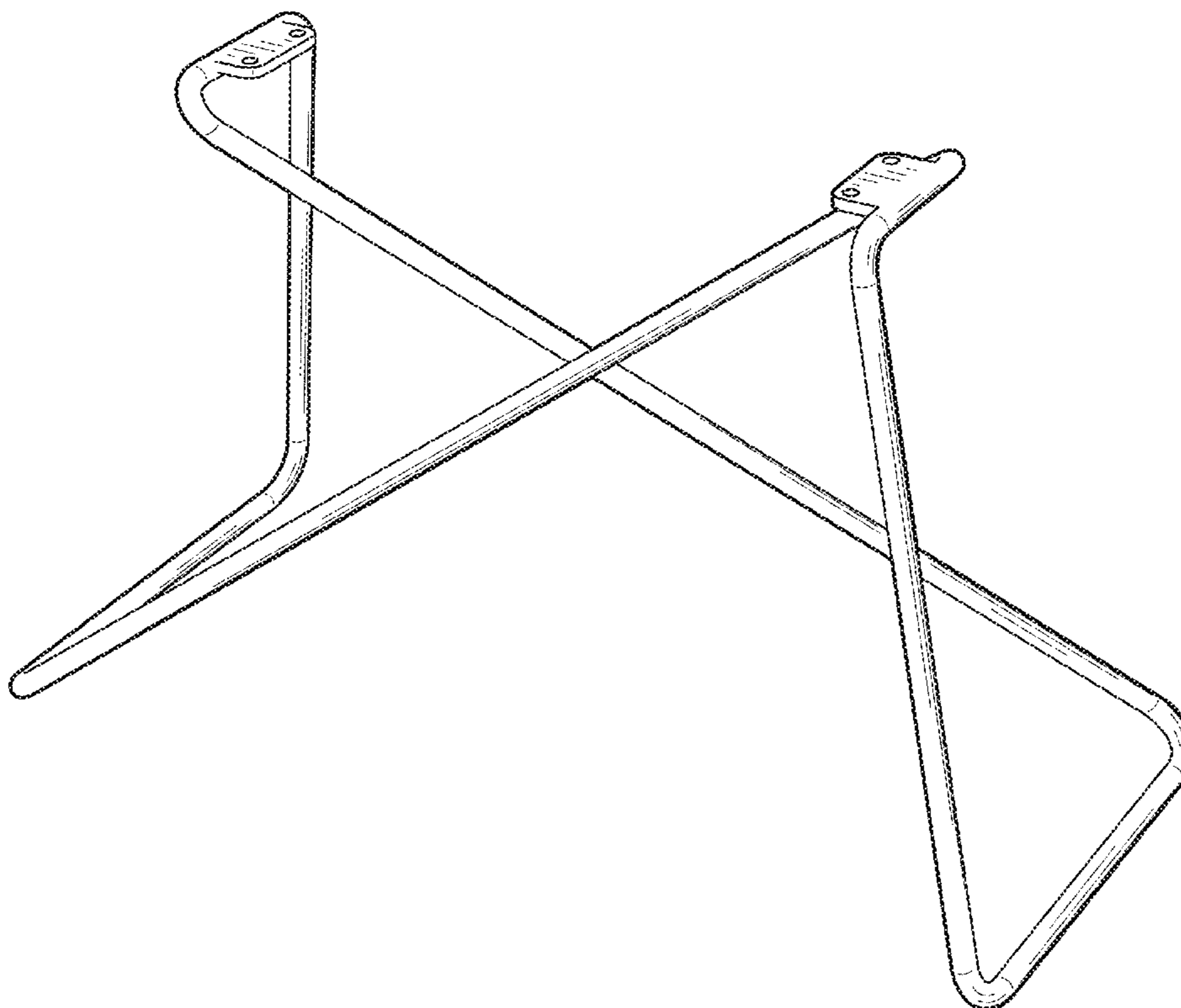
(57) **CLAIM**

The ornamental design for a bench support, as shown and described.

DESCRIPTION

FIG. 1 is an isometric view of the bench support showing our new design;
FIG. 2 is an isometric view thereof;
FIG. 3 is a front elevation view thereof; the rear elevation is a mirror image thereof;
FIG. 4 is a top plan view thereof;
FIG. 5 is a bottom plan thereof; and,
FIG. 6 is a right side elevation view thereof; the left side is a mirror image thereof.

1 Claim, 6 Drawing Sheets



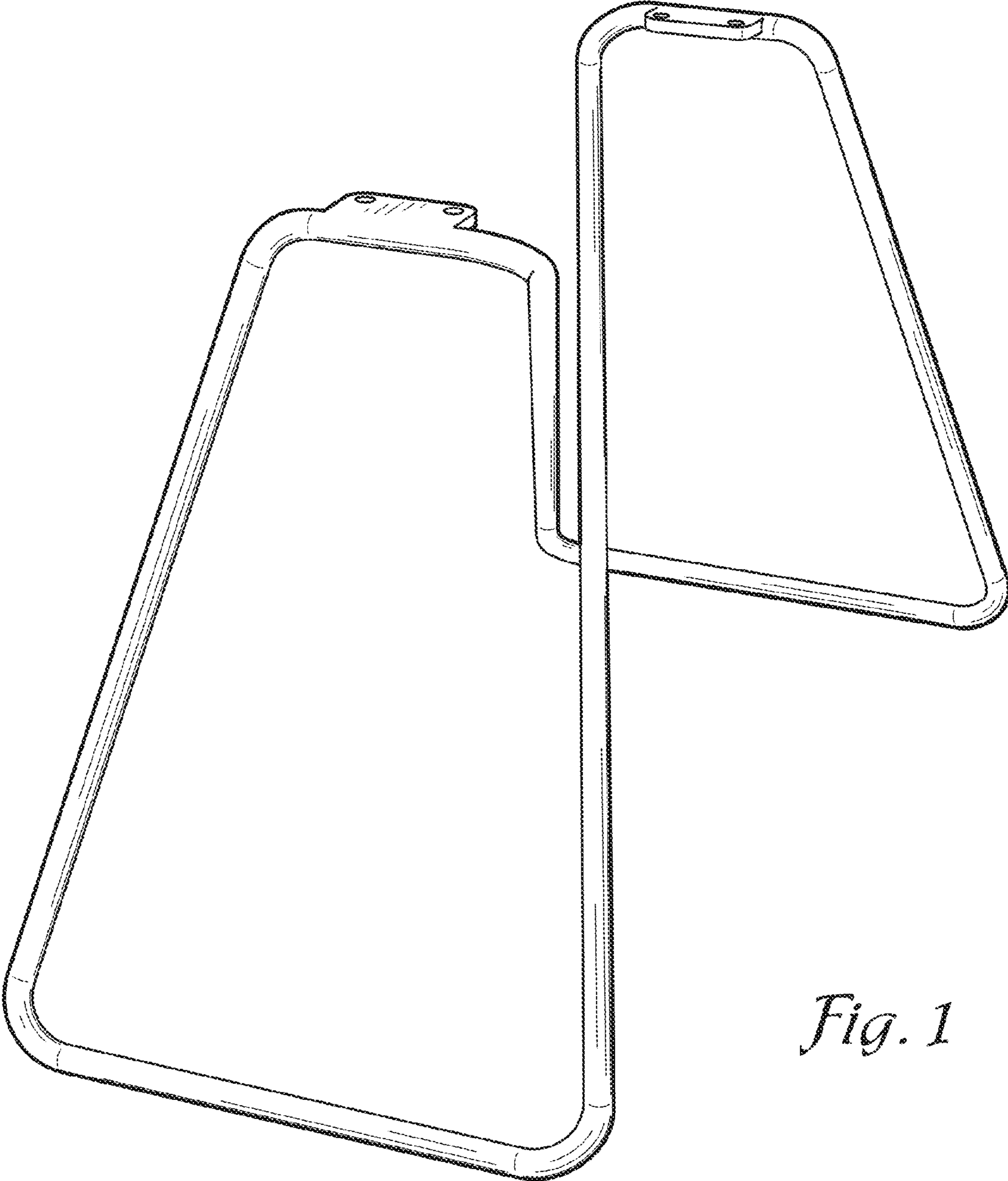


Fig. 1

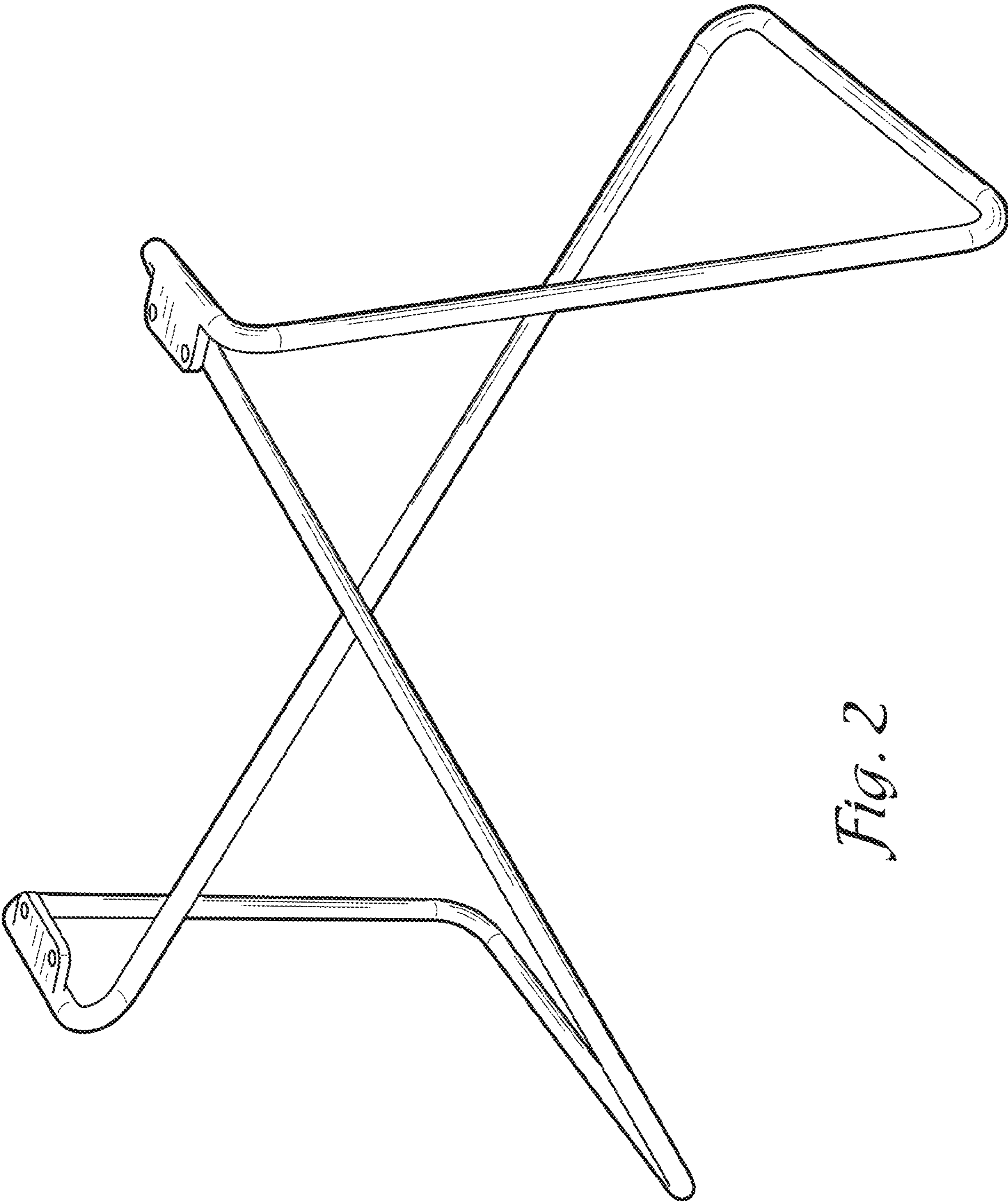


Fig. 2

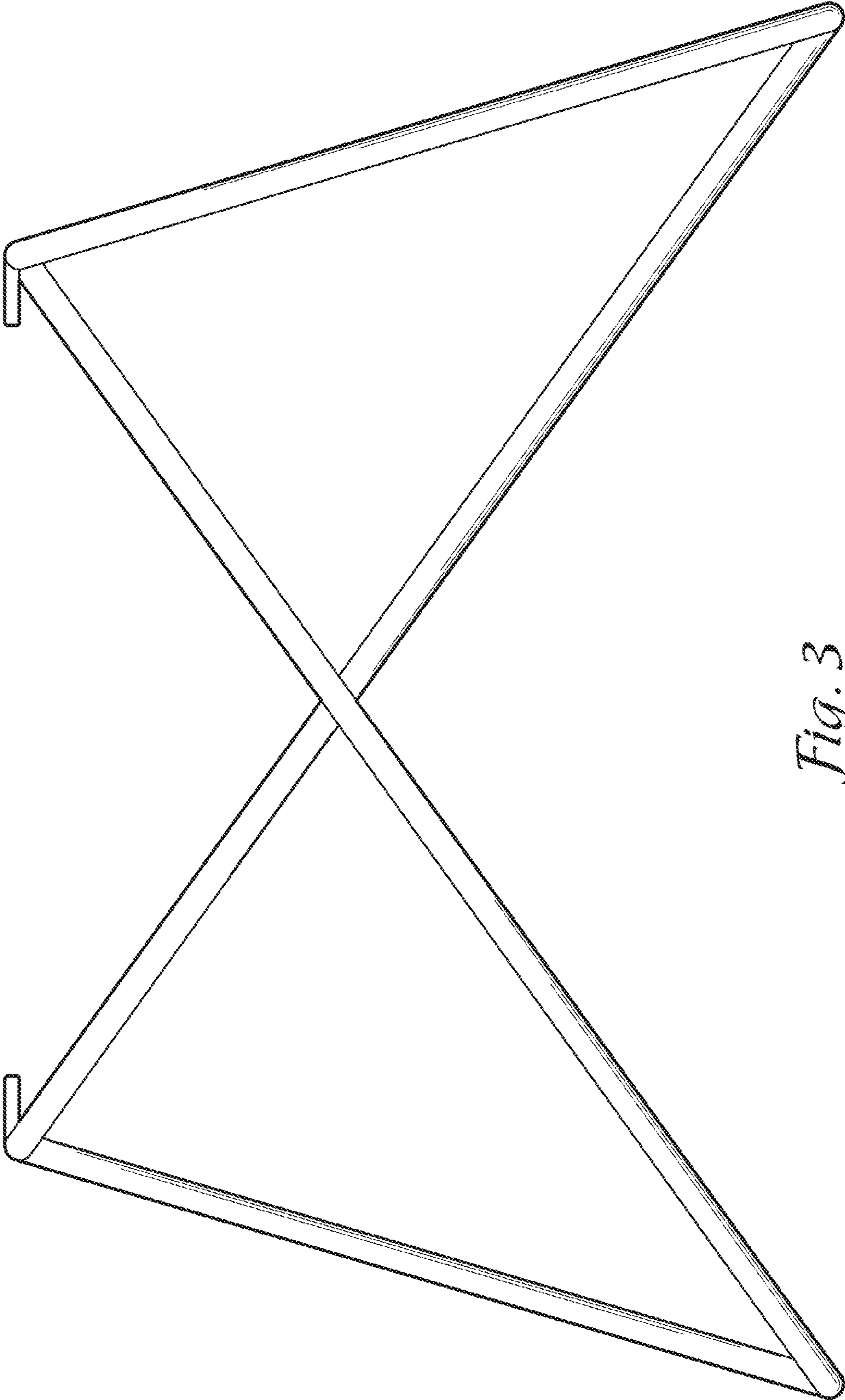


Fig. 3

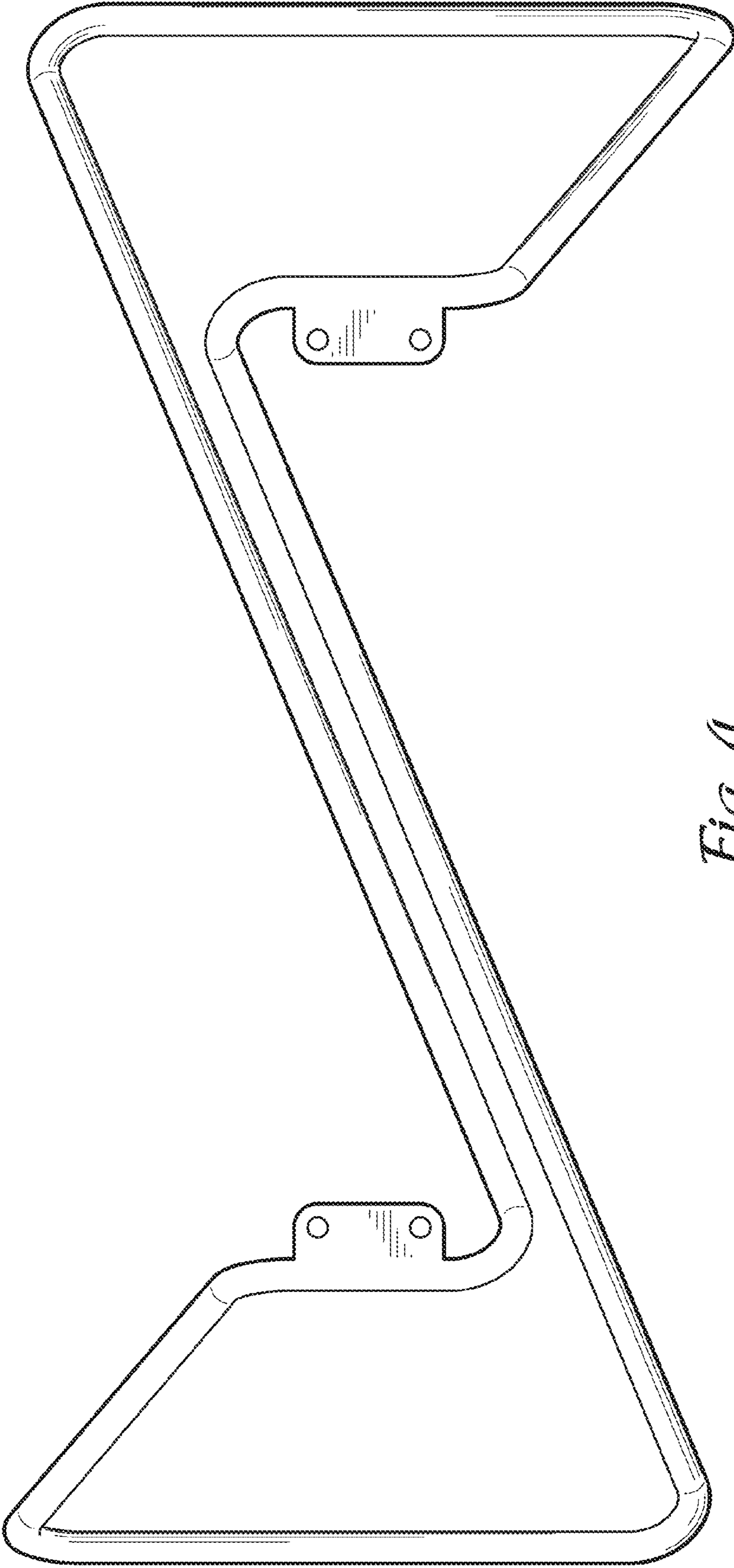


Fig. 4

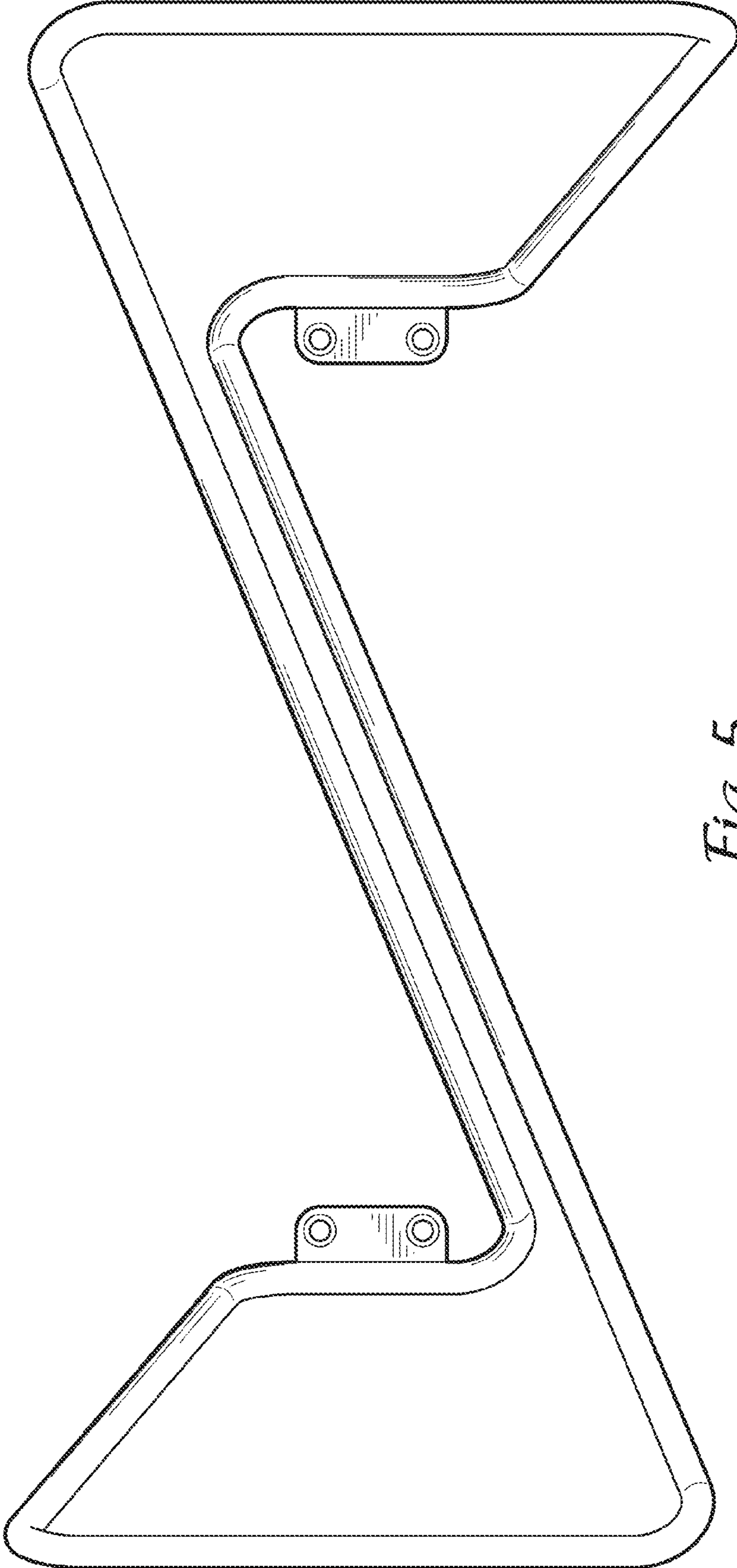


Fig. 5

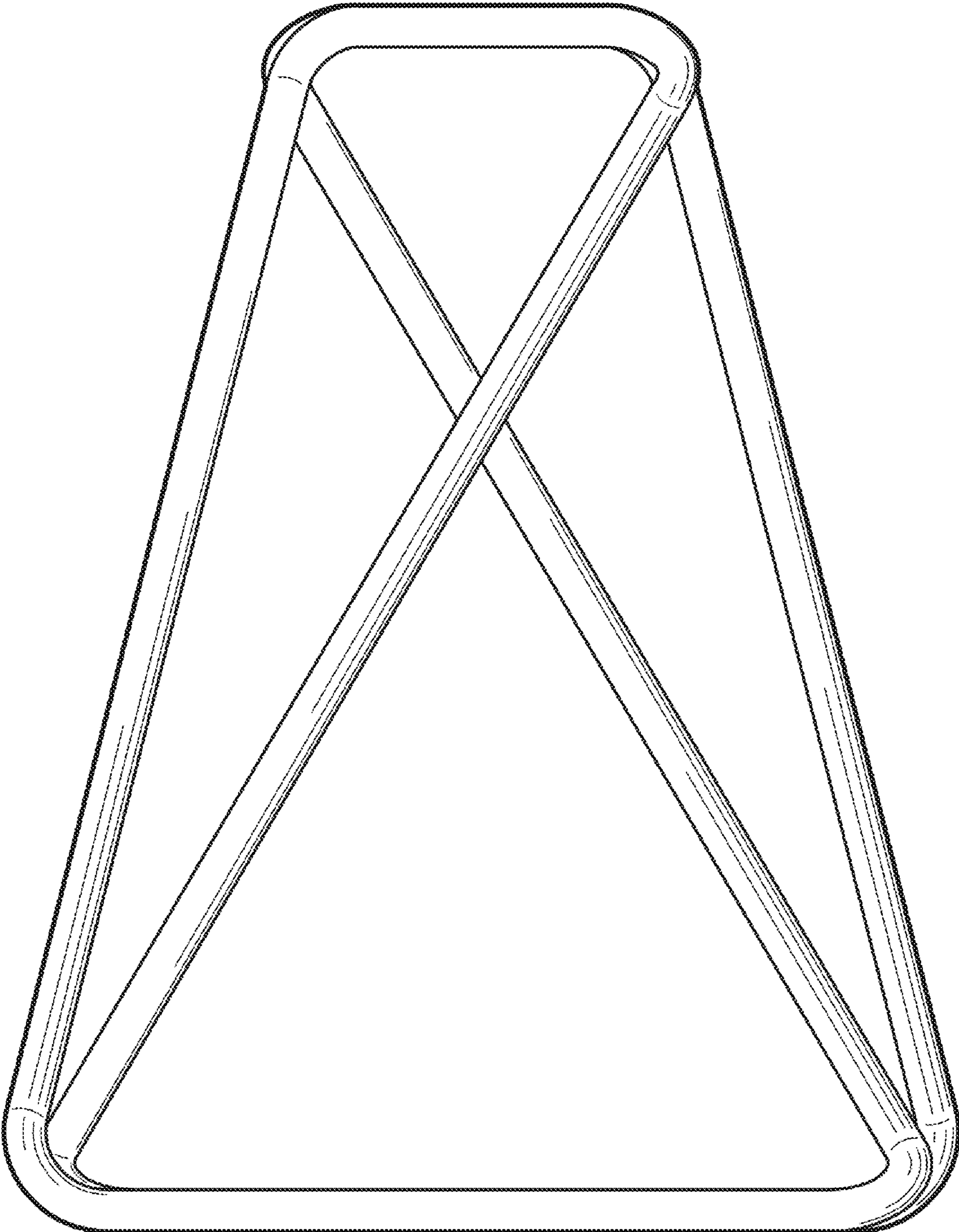


Fig. 6