

US00D677079S

(12) **United States Design Patent**
Lade

(10) **Patent No.:** **US D677,079 S**
(45) **Date of Patent:** **** Mar. 5, 2013**

(54) **SIDE MEMBER FOR CHAIR OR SOFA**

(75) Inventor: **Jan Lade**, Straumgjerde (NO)

(73) Assignee: **Ekornes ASA**, Ikornnes (NO)

(**) Term: **14 Years**

(21) Appl. No.: **29/418,714**

(22) Filed: **Apr. 19, 2012**

(30) **Foreign Application Priority Data**

Oct. 24, 2011 (NO) 20110829

(51) **LOC (9) Cl.** **06-01**

(52) **U.S. Cl.** **D6/492**

(58) **Field of Classification Search** D6/334–338,
D6/349, 355, 361, 368–370, 376, 379–381,
D6/492, 500–502; 297/16.1, 42, 94, 135,
297/175, 232, 233, 350, 351, 445.1, 448.1,
297/448.2, 451.9; 5/12.1, 12.2

See application file for complete search history.

(56) **References Cited**

U.S. PATENT DOCUMENTS

D209,743 S *	1/1968	Mulhauser	D6/366
D222,451 S *	10/1971	Lamb	D6/367
D224,766 S *	9/1972	Rowland	D6/371
3,700,282 A *	10/1972	Rowland	297/440.23
D261,702 S *	11/1981	Whalen	D6/334
D265,699 S *	8/1982	Lundgren	D6/334
4,343,509 A *	8/1982	Lundgren	297/232
D276,670 S *	12/1984	Tornero et al.	D6/360
D278,581 S *	4/1985	Melchior	D6/373
D288,505 S *	3/1987	Yamasaki	D6/360
D302,079 S *	7/1989	Goldman	D6/361
D303,326 S *	9/1989	Heimberger	D6/334
D318,183 S *	7/1991	Fister, Jr.	D6/334
D318,576 S *	7/1991	Fister, Jr.	D6/334
D335,588 S *	5/1993	Beirise	D6/381
D336,376 S *	6/1993	Hollington	D6/334
D340,142 S *	10/1993	Totoro	D6/367
D341,728 S *	11/1993	Grosfillex	D6/379
D358,493 S *	5/1995	Ginat	D6/334
D364,971 S *	12/1995	Sterlacci	D6/367
D367,566 S *	3/1996	Walters et al.	D6/381
D372,800 S *	8/1996	Yamasaki	D6/367

D376,783 S *	12/1996	Magalhaes	D12/180
D392,469 S *	3/1998	De Blaay	D6/334
D401,078 S *	11/1998	Relling	D6/381
D417,558 S *	12/1999	Staubach et al.	D6/334
D429,900 S *	8/2000	Minami	D6/334
D430,740 S *	9/2000	Chun	D6/334
D443,991 S *	6/2001	Picotti	D6/366
D458,466 S *	6/2002	McCairley	D6/365
D468,543 S *	1/2003	O'Hare et al.	D6/334
D475,539 S *	6/2003	Savini	D6/334
D492,499 S *	7/2004	Relling et al.	D6/381
D498,070 S *	11/2004	Sauer	D6/373
D499,270 S *	12/2004	Relling et al.	D6/381
D504,782 S *	5/2005	Moser	D6/334
D506,092 S *	6/2005	Moser	D6/492
D535,124 S *	1/2007	Garcia	D6/492
D539,044 S *	3/2007	Solheim	D6/334
D543,716 S *	6/2007	Votteler et al.	D6/366
D558,468 S *	1/2008	Lade	D6/334
D558,469 S *	1/2008	Lade	D6/334
D601,359 S *	10/2009	Wold	D6/365
D601,828 S *	10/2009	Wold	D6/500
D606,325 S *	12/2009	Gharabegian	D6/334
D616,215 S *	5/2010	Andersen	D6/381
D626,756 S *	11/2010	Flender et al.	D6/334
D630,450 S *	1/2011	Wold	D6/381
D633,312 S *	3/2011	Wold	D6/381
D633,725 S *	3/2011	Massaud	D6/334
D633,726 S *	3/2011	Wold	D6/381

* cited by examiner

Primary Examiner — Sandra Snapp

(74) *Attorney, Agent, or Firm* — Schneck & Schneck;
Thomas Schneck

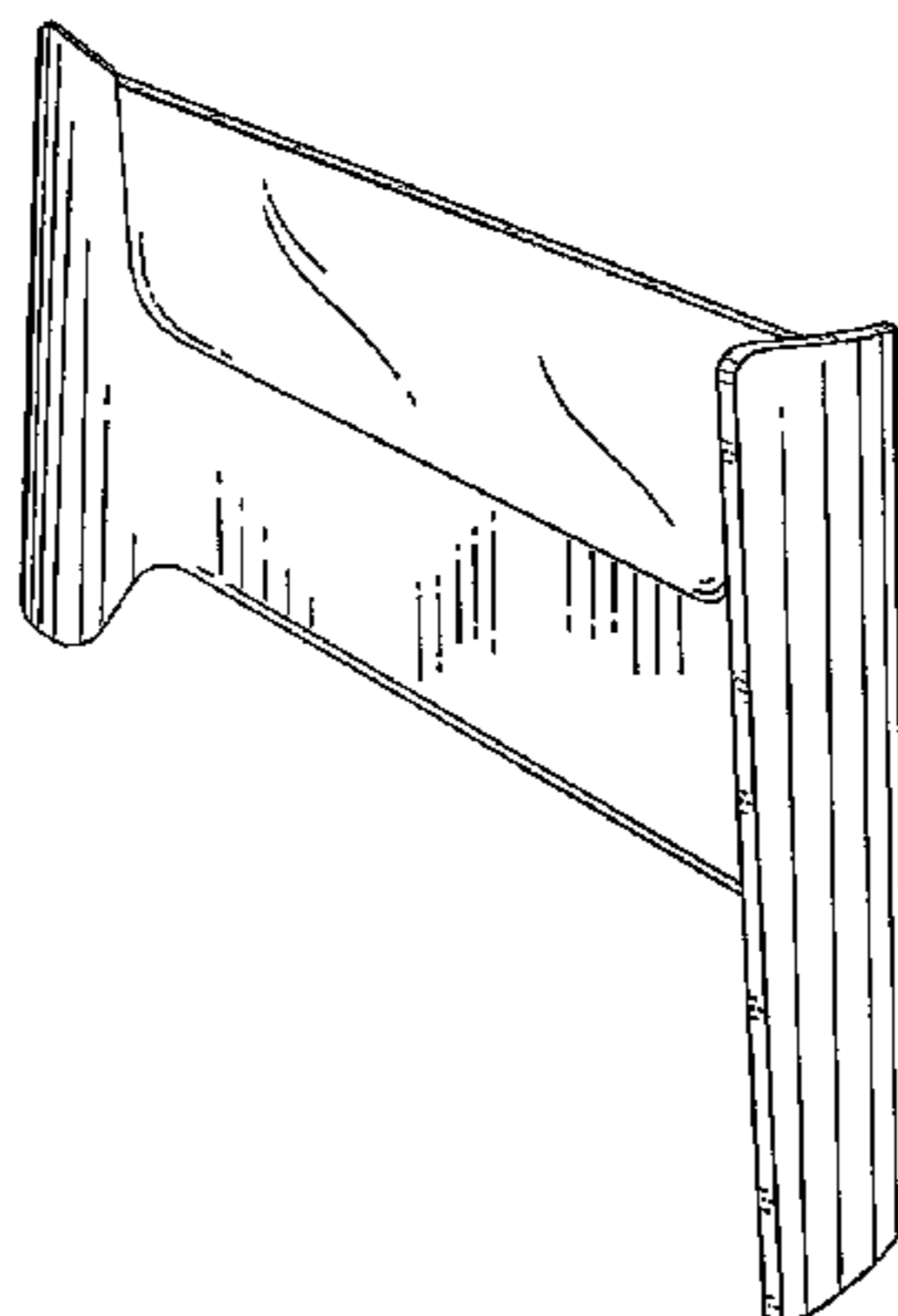
(57) **CLAIM**

I claim the ornamental design for a side member for a chair or sofa, as shown.

DESCRIPTION

FIG. 1 is a front perspective view for a side member for a chair or sofa of my design;
FIG. 2 is a rear perspective view thereof;
FIG. 3 is a front elevation view thereof;
FIG. 4 is a left side view thereof;
FIG. 5 is a right side view thereof;
FIG. 6 is a top view thereof;
FIG. 7 is a bottom view thereof; and,
FIG. 8 is a rear elevation view thereof.

1 Claim, 2 Drawing Sheets



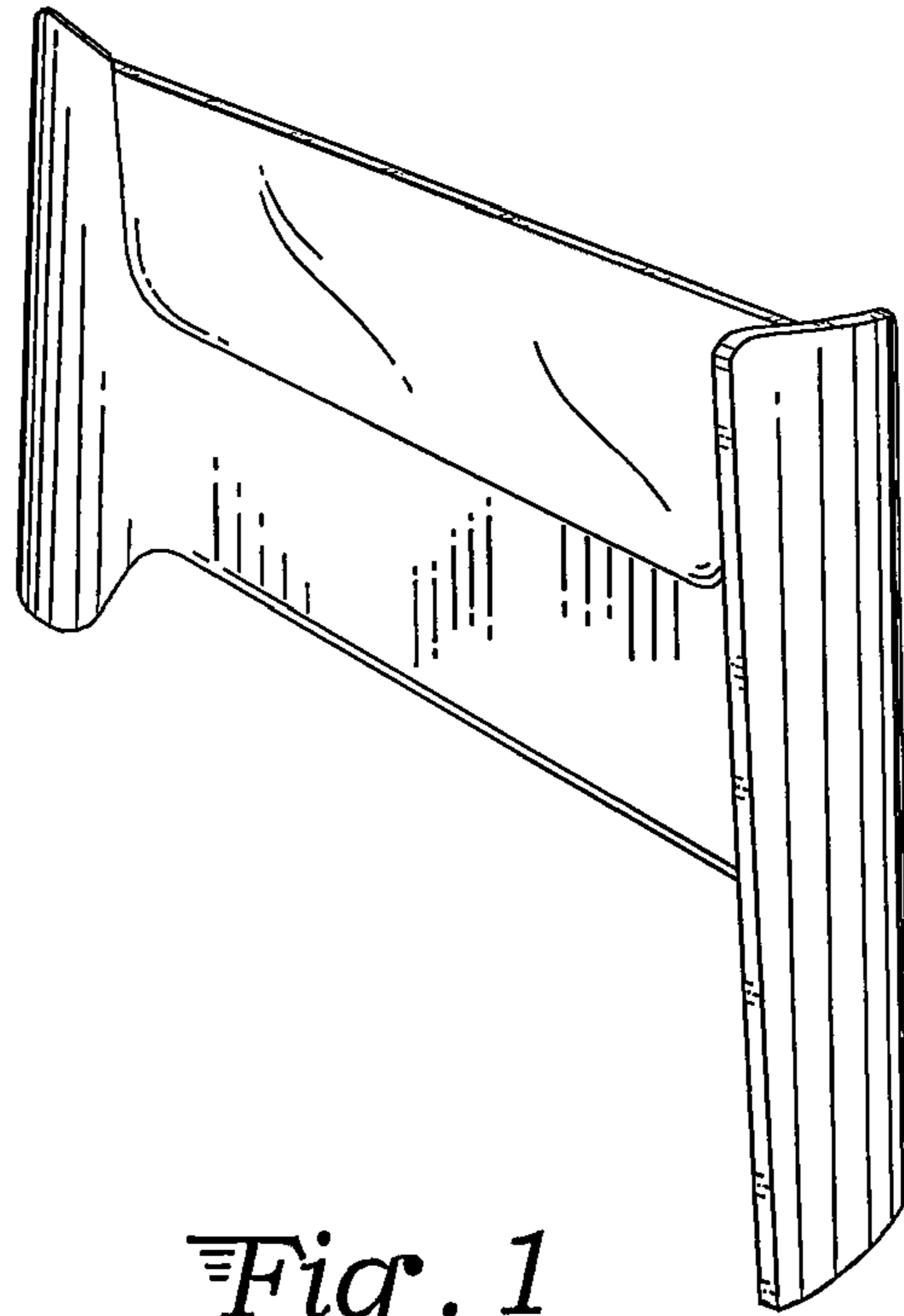


Fig. 1

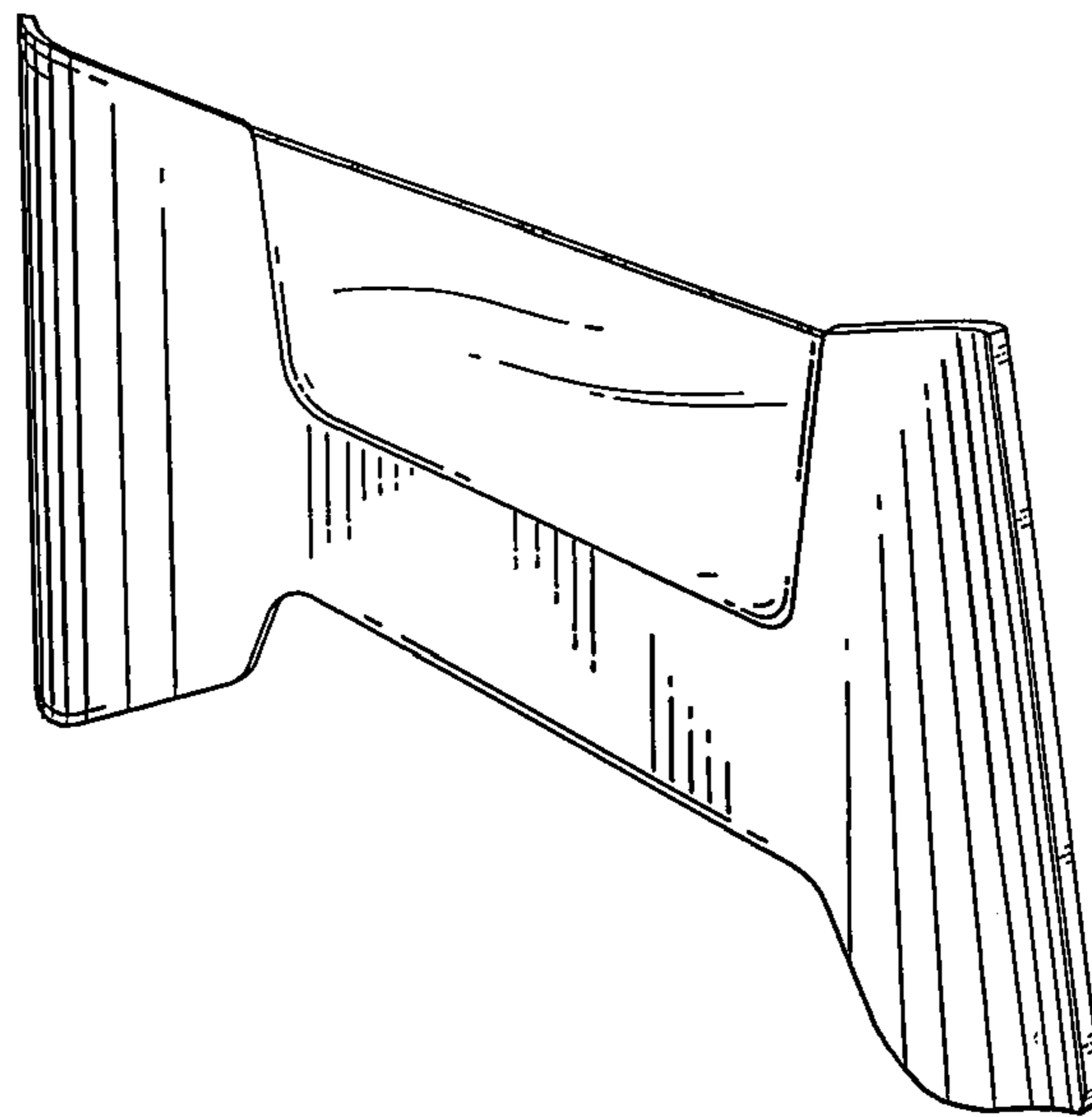


Fig. 2



Fig. 3

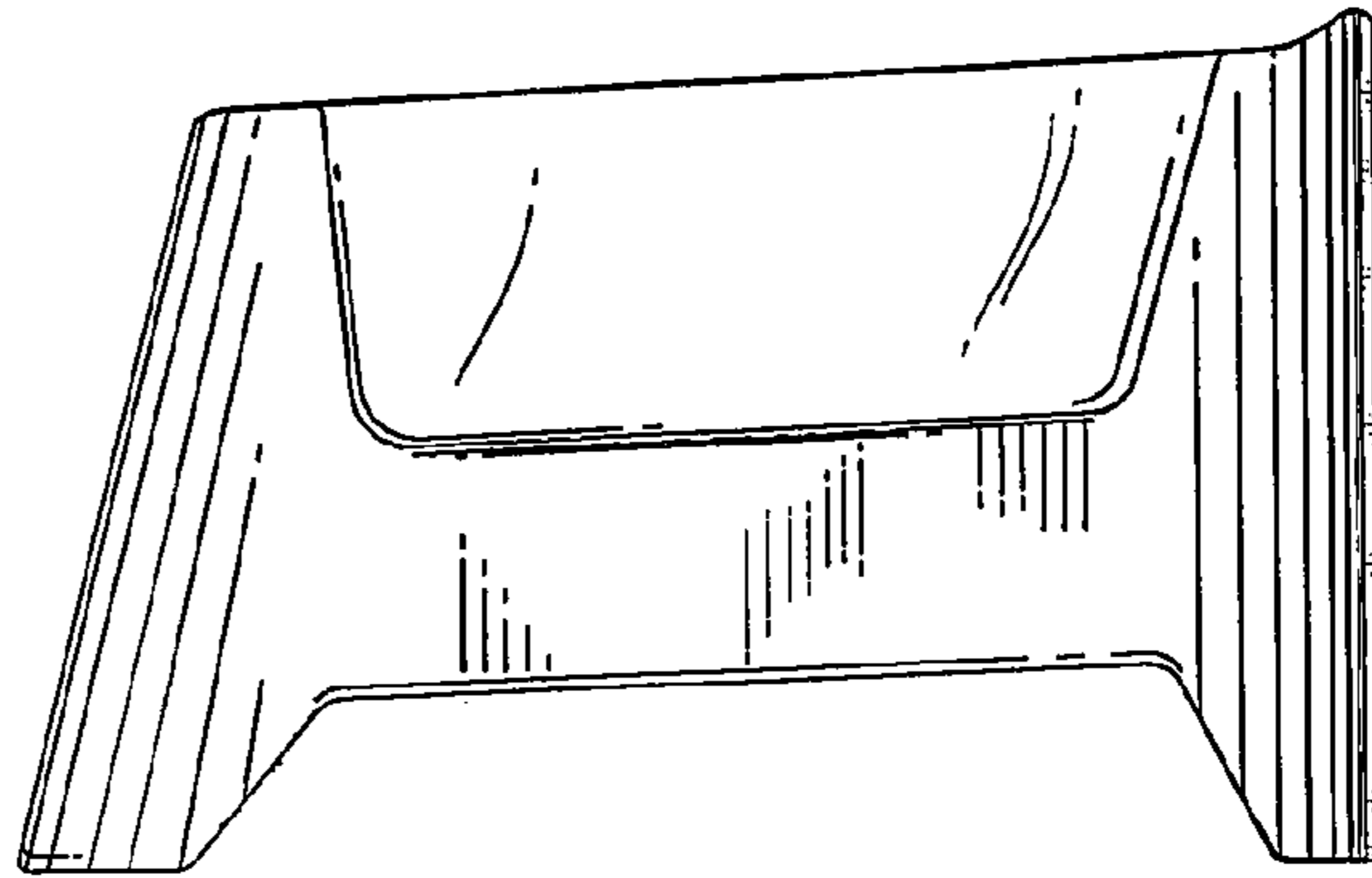


Fig. 4

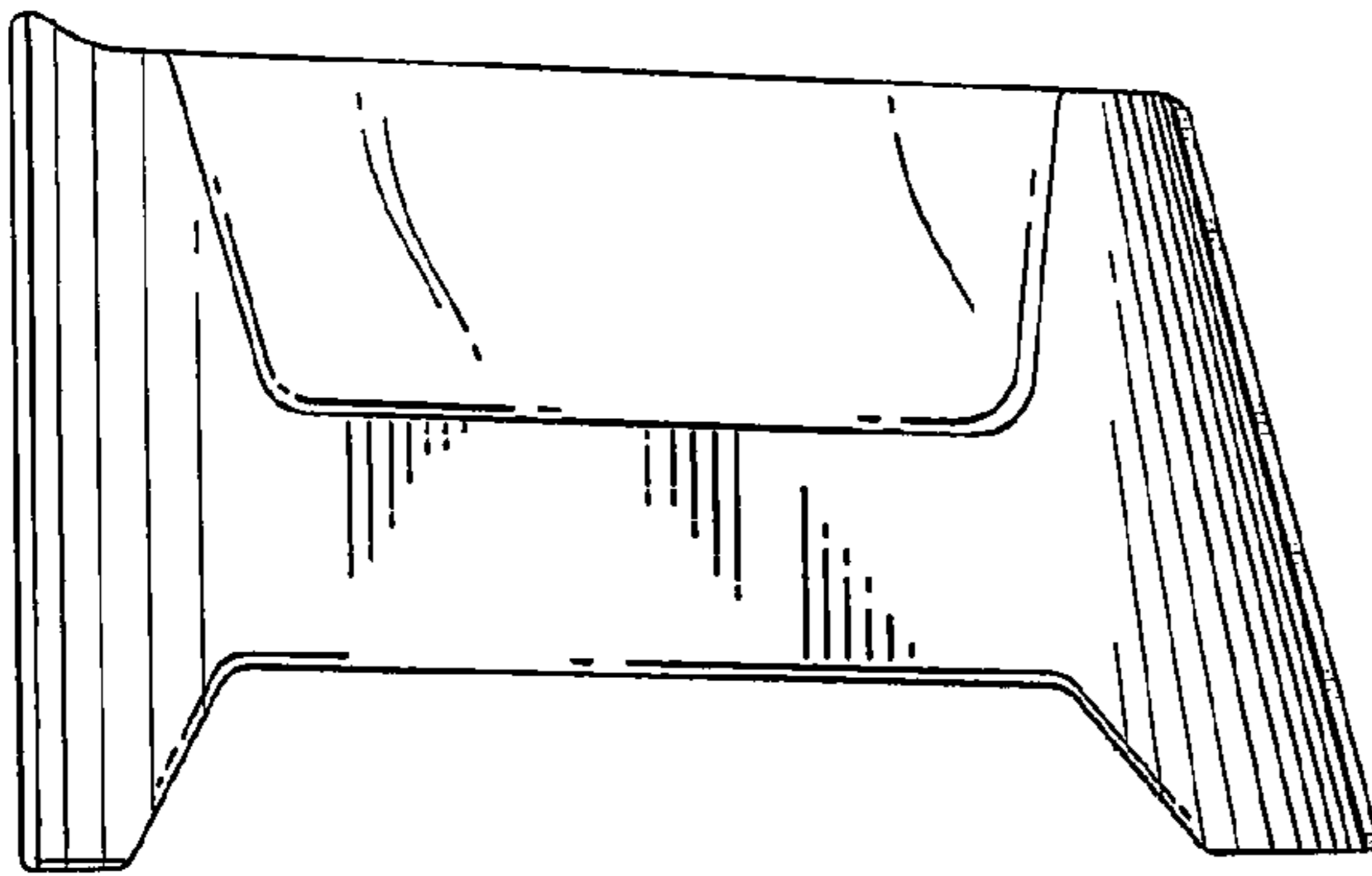


Fig. 5

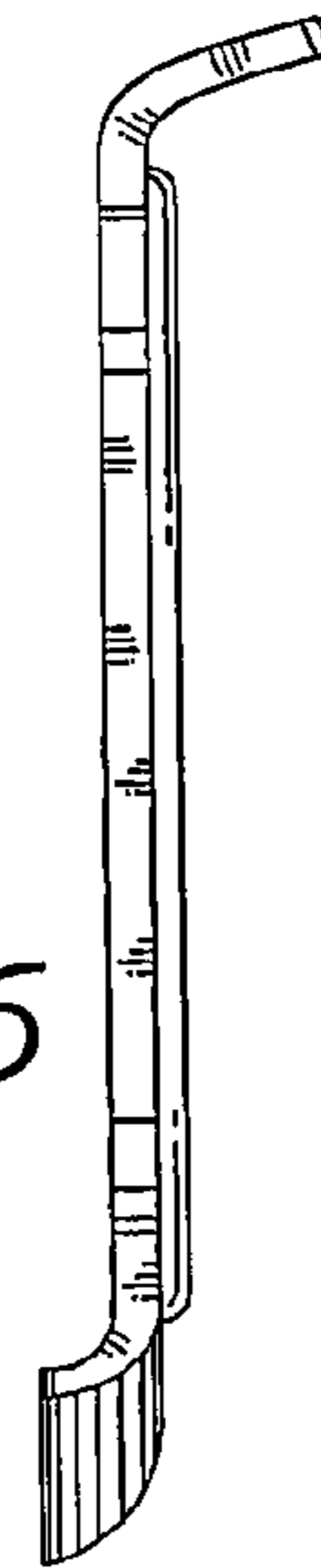


Fig. 6

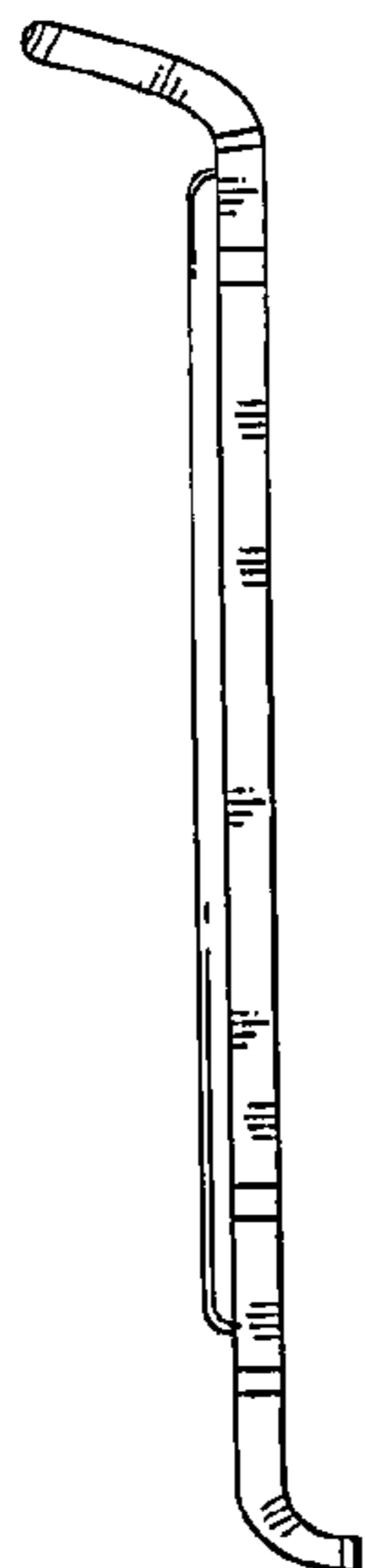


Fig. 7

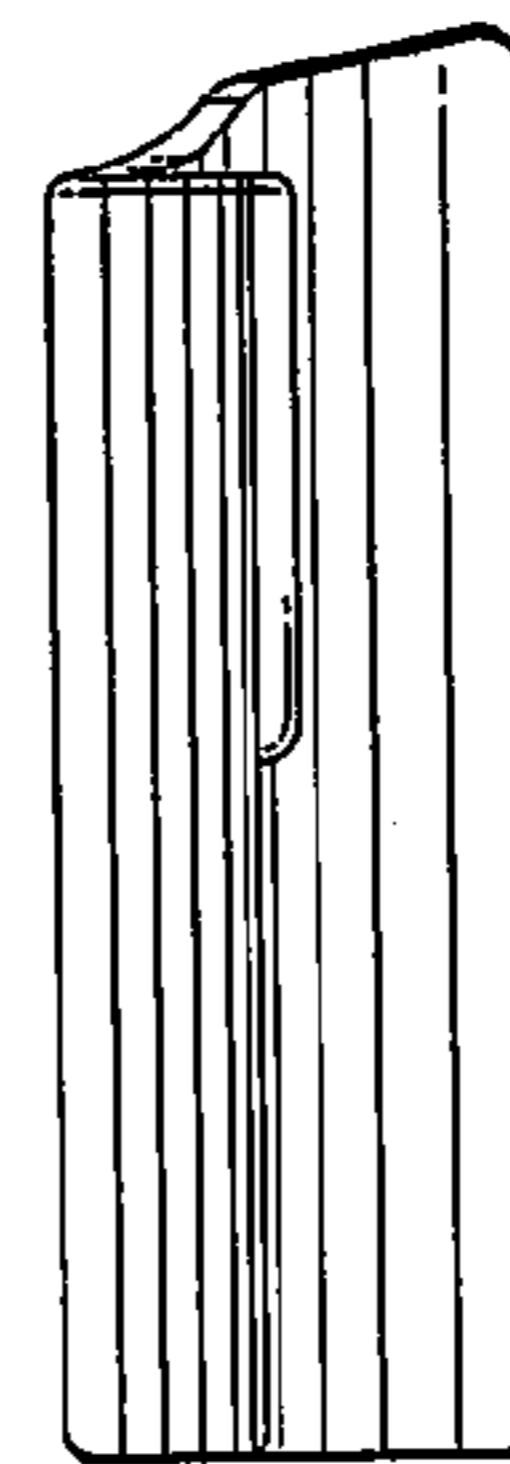


Fig. 8