



US00D677077S

(12) **United States Design Patent**
Selby

(10) **Patent No.:** **US D677,077 S**
(45) **Date of Patent:** **** Mar. 5, 2013**

(54) **DISPLAY RACK**

(76) Inventor: **William J. Selby**, Stoughton, MA (US)

(**) Term: **14 Years**

(21) Appl. No.: **29/429,509**

(22) Filed: **Aug. 13, 2012**

(51) **LOC (9) Cl.** **06-06**

(52) **U.S. Cl.** **D6/462**

(58) **Field of Classification Search** D6/449,
D6/462-463, 466-468, 475-476; D19/90-92;
D7/409, 504, 323, 419-422; 220/491; 99/426;
211/85.4, 41.11, 37

See application file for complete search history.

(56) **References Cited**

U.S. PATENT DOCUMENTS

D327,606 S *	7/1992	Oellig et al.	D7/504
D329,954 S *	10/1992	Sharon et al.	D6/462
D421,062 S *	2/2000	Goodman et al.	D19/90
D473,073 S *	4/2003	Kettering et al.	D6/509
D480,926 S *	10/2003	Morgan	D7/601
D555,203 S *	11/2007	Goodman et al.	D19/90
D567,540 S *	4/2008	Klein et al.	D6/462
D582,697 S *	12/2008	Goodman et al.	D6/462
D583,589 S *	12/2008	Goodman et al.	D6/462
D588,378 S *	3/2009	Goodman et al.	D6/462

D595,914 S *	7/2009	Housley	D32/55
D639,613 S *	6/2011	Goodman et al.	D7/632
8,286,808 B1 *	10/2012	Setlik	211/96

* cited by examiner

Primary Examiner — Kelley Donnelly

(74) *Attorney, Agent, or Firm* — Steven N. Fox, Esq.

(57) **CLAIM**

The ornamental design for a display rack, as shown and described.

DESCRIPTION

FIG. 1 is a perspective view of a display rack according to the present invention shown with environment;

FIG. 2 is another perspective view thereof, shown with environment;

FIG. 3 is a top view thereof;

FIG. 4 is a front view thereof;

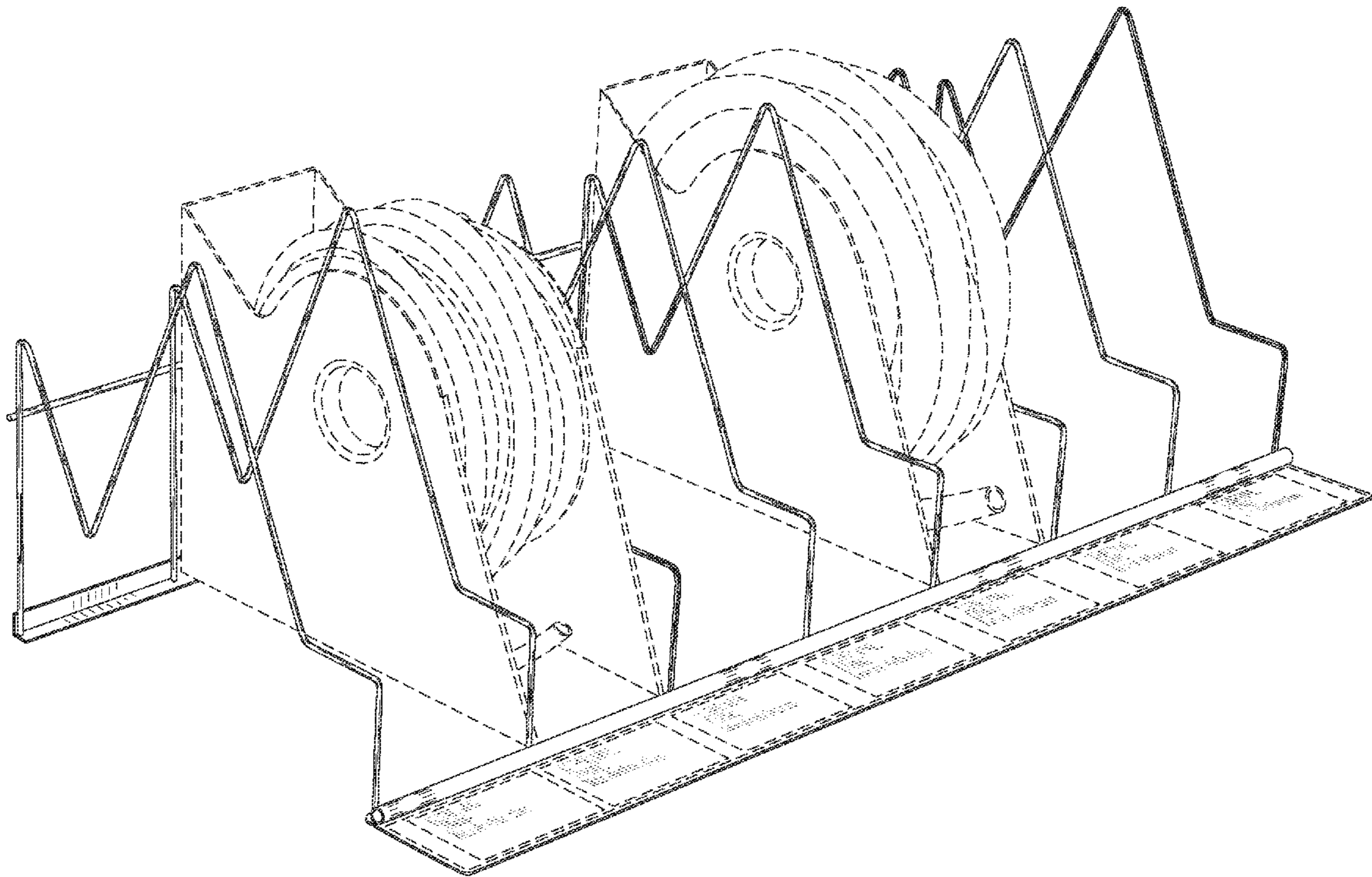
FIG. 5 is a left side view thereof; the right side view being a mirror image thereof;

FIG. 6 is a bottom view thereof; and,

FIG. 7 is a rear view thereof.

The broken lines shown in the drawings are for the purpose of illustrating environmental structure and form no part of the claimed design.

1 Claim, 7 Drawing Sheets



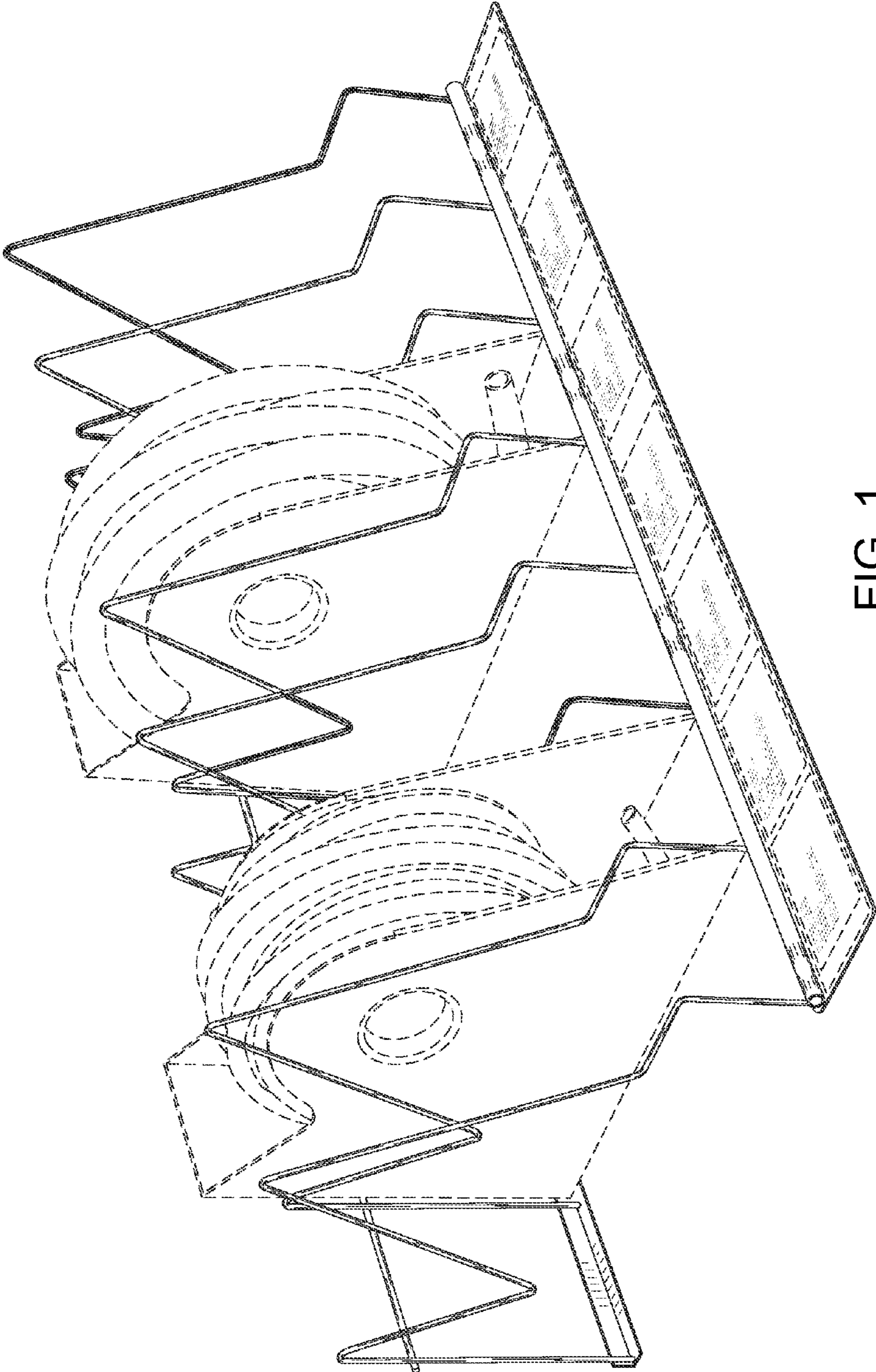


FIG. 1

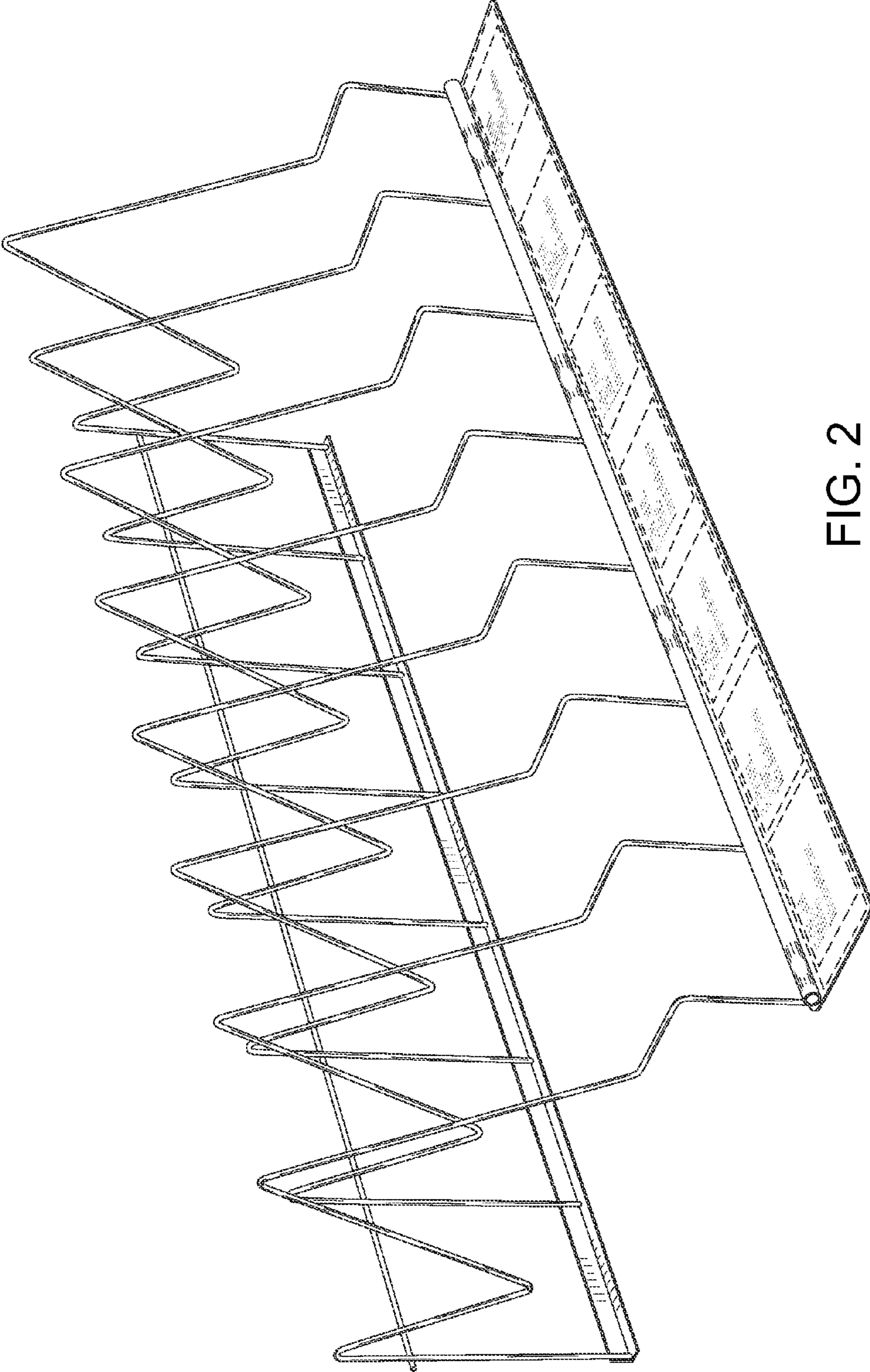


FIG. 2

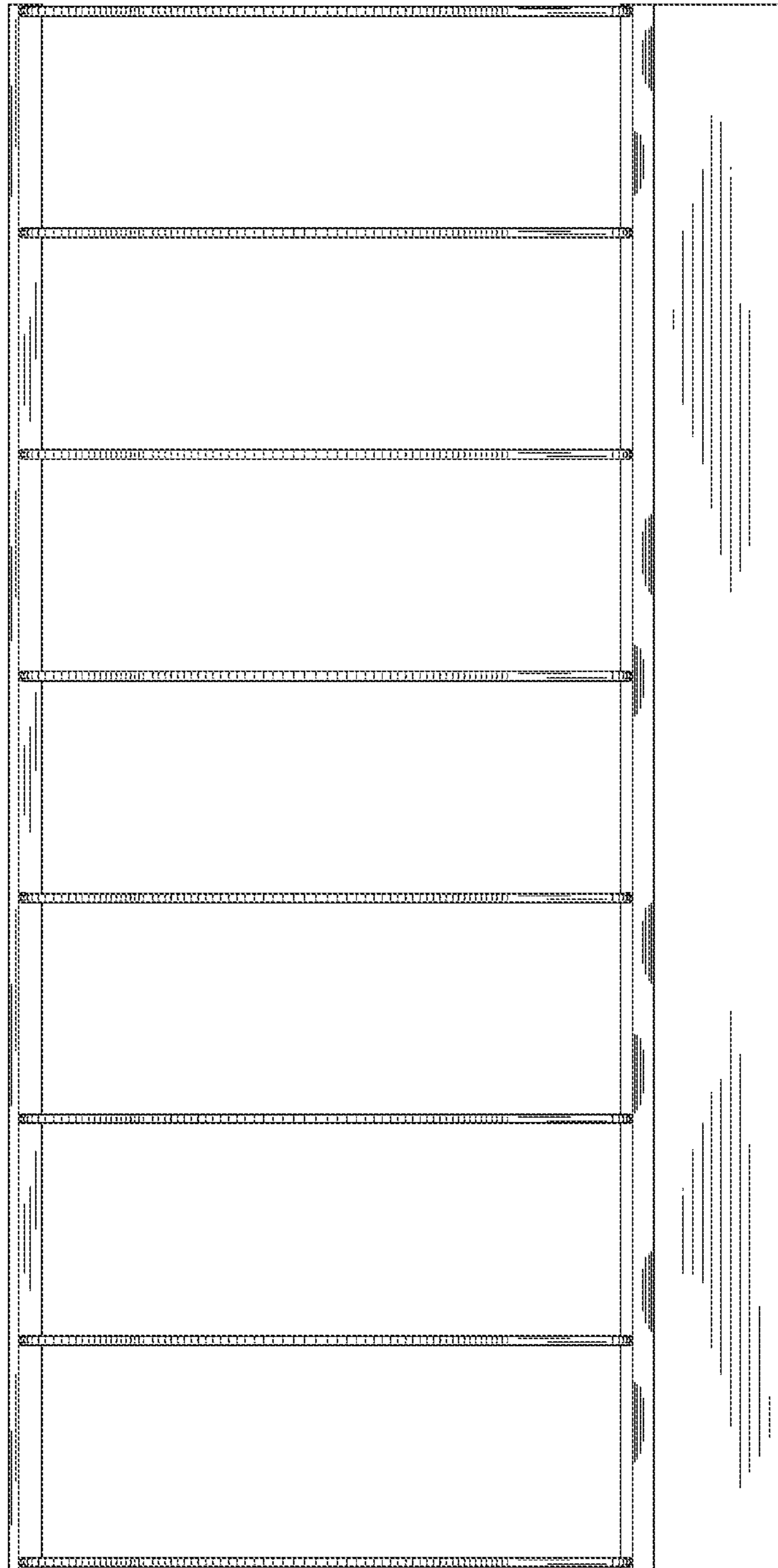


FIG. 3

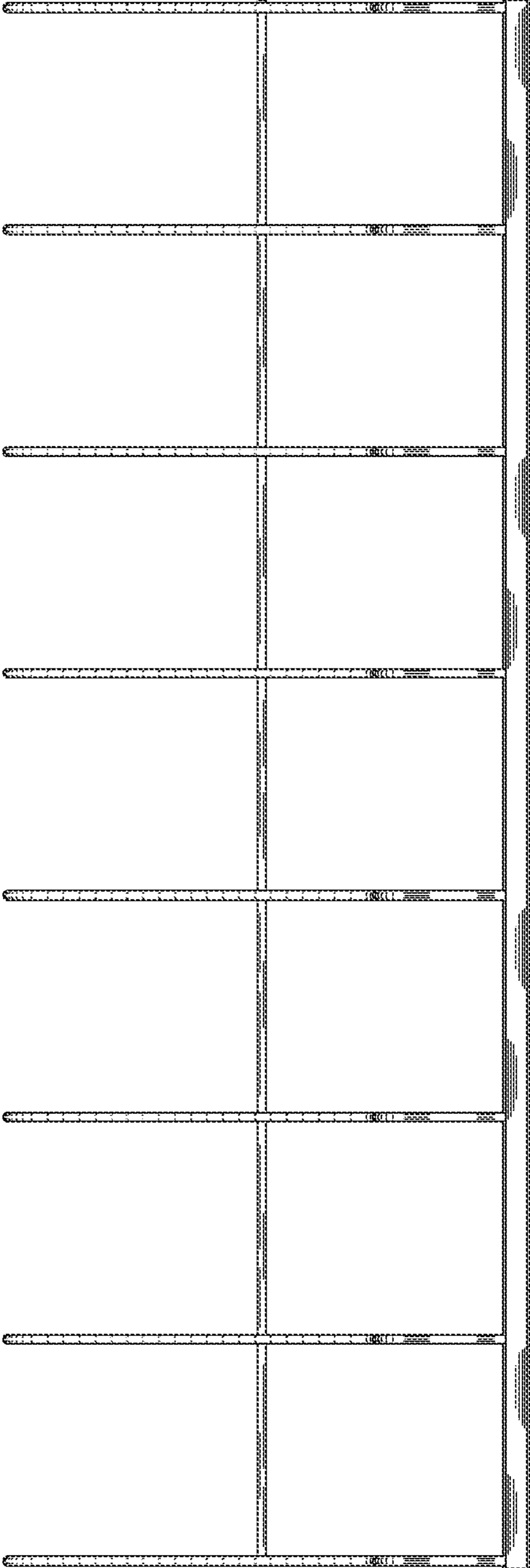


FIG. 4

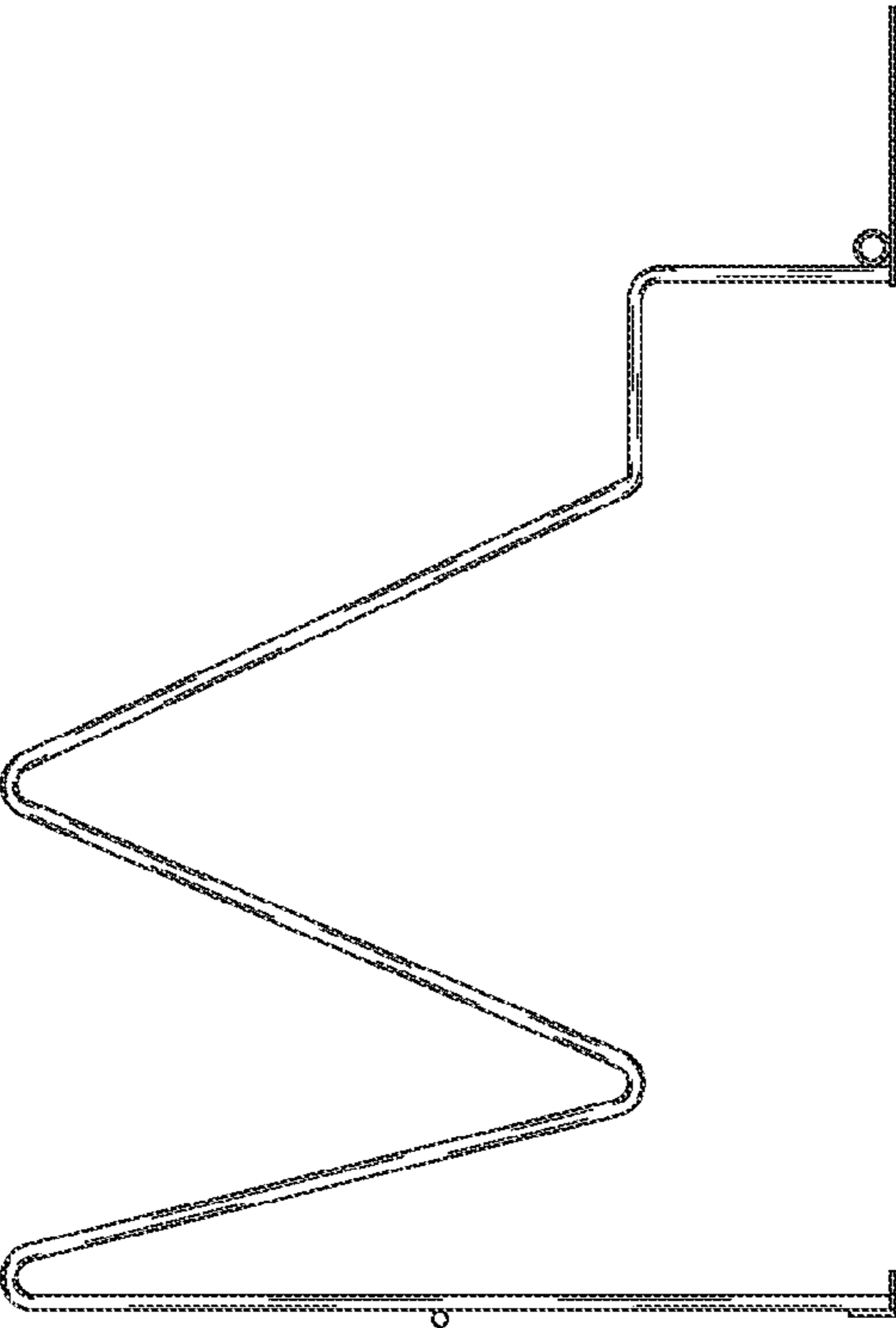


FIG. 5

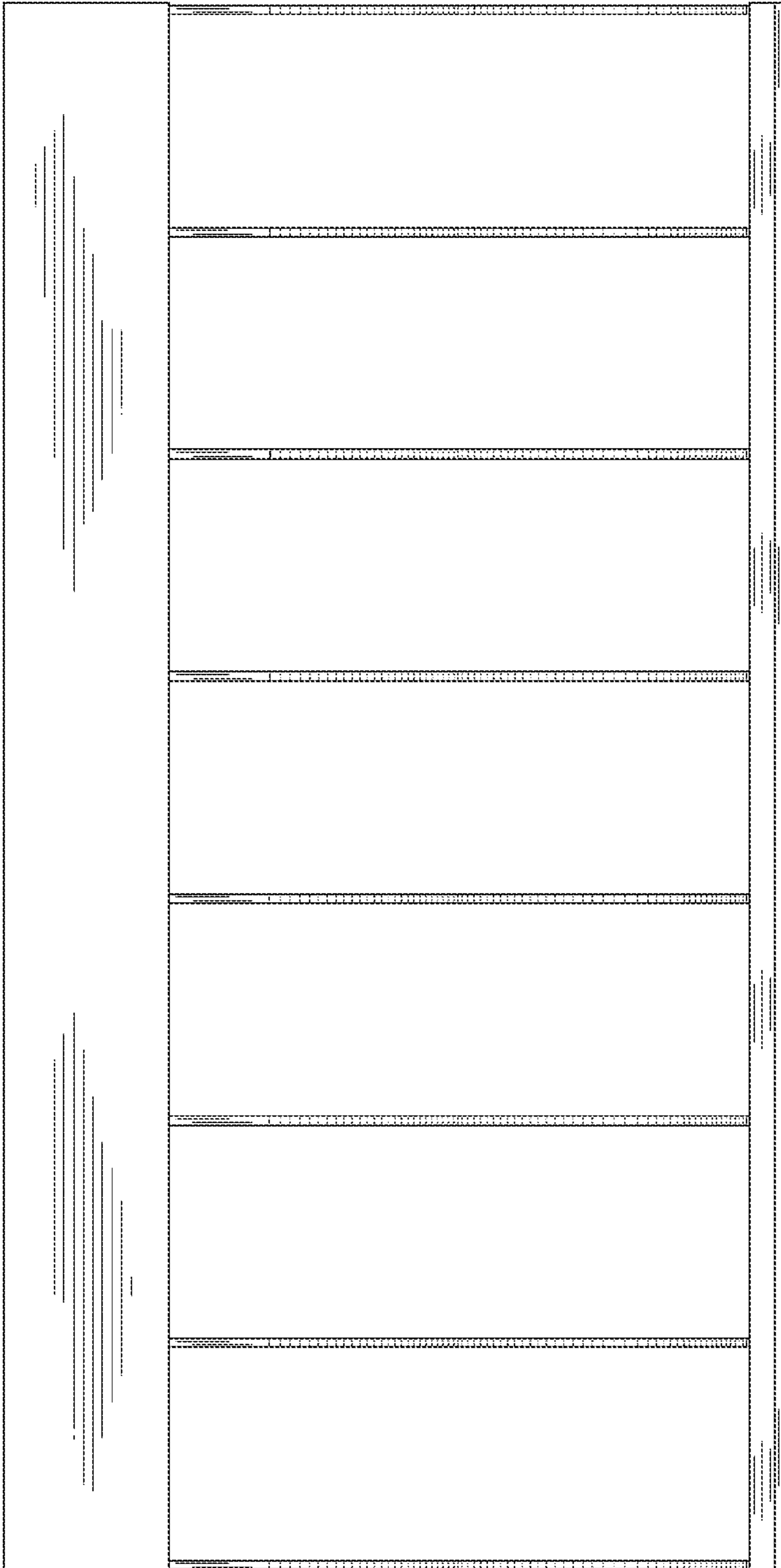


FIG. 6

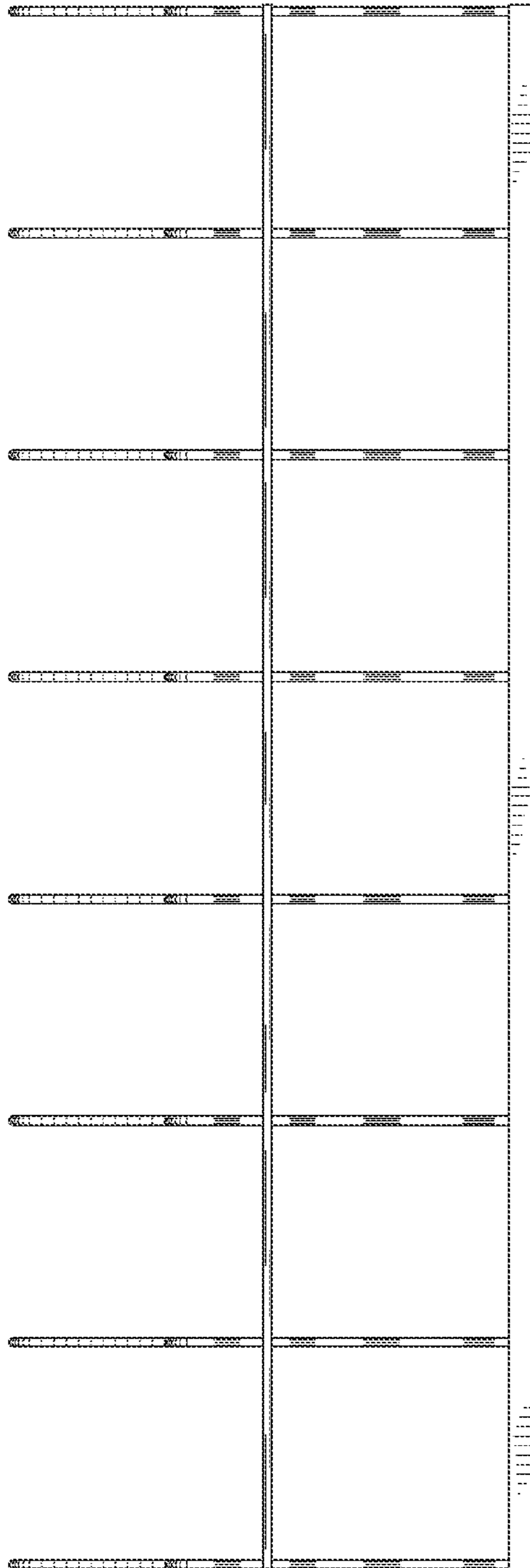


FIG. 7