



US00D677076S

(12) **United States Design Patent**  
**Olson**

(10) **Patent No.:** **US D677,076 S**

(45) **Date of Patent:** **\*\* \*Mar. 5, 2013**

(54) **MODULAR CUBE**

(76) **Inventor:** **John G. Olson**, West Fork, AR (US)

(\*) **Notice:** This patent is subject to a terminal disclaimer.

(\*\*) **Term:** **14 Years**

(21) **Appl. No.:** **29/379,667**

(22) **Filed:** **Nov. 23, 2010**

(51) **LOC (9) Cl.** ..... **06-07**

(52) **U.S. Cl.** ..... **D6/449**

(58) **Field of Classification Search** ..... D6/449,  
D6/350, 336, 448, 349, 446, 397, 396, 329,  
D6/480, 405; D14/128; D21/475, 686; 273/153 R,  
273/441, 153; 434/319; D19/77, 62; D32/37;  
297/440.14; D7/629; 206/214, 224, 233  
See application file for complete search history.

D502,022 S *	2/2005	Jirele	.....	D6/396
D527,424 S *	8/2006	Long	.....	D19/77
D563,692 S *	3/2008	DeCarlo et al.	.....	D6/448
D569,440 S *	5/2008	Rotta	.....	D19/62
D610,818 S *	3/2010	Crane	.....	D6/349
D615,778 S *	5/2010	Schultz	.....	D6/480
D625,116 S *	10/2010	Willner	.....	D6/349
D625,478 S *	10/2010	Cittadino et al.	.....	D32/37
D627,013 S *	11/2010	Nys	.....	D21/686
D628,408 S *	12/2010	Schultz	.....	D6/480
D637,833 S *	5/2011	Russell	.....	D6/405
D641,594 S *	7/2011	Huang	.....	D7/629
2001/0035606 A1 *	11/2001	Schoen	.....	273/153 R
2002/0034718 A1 *	3/2002	Dunn et al.	.....	434/319
2002/0175472 A1 *	11/2002	Boeru	.....	273/441
2004/0226210 A1 *	11/2004	Kaur	.....	40/725
2007/0052276 A1 *	3/2007	Hurvich	.....	297/440.14
2012/0248696 A1 *	10/2012	Wu	.....	273/153 S

\* cited by examiner

*Primary Examiner* — Philip S Hyder

*Assistant Examiner* — Sydney Buffalow

(74) *Attorney, Agent, or Firm* — Mark Murphey Henry

(56) **References Cited**

**U.S. PATENT DOCUMENTS**

D90,823 S *	10/1933	Venerose	.....	D6/350
D151,983 S *	12/1948	Guertin	.....	D6/336
D250,235 S *	11/1978	Chervenak	.....	D6/448
D257,773 S *	1/1981	Loper et al.	.....	D14/128
D274,676 S *	7/1984	Massonnet	.....	D6/349
D391,999 S *	3/1998	Chininis	.....	D21/475
D460,637 S *	7/2002	Grosfillex	.....	D6/446
D461,972 S *	8/2002	Everett	.....	D6/448
D465,348 S *	11/2002	Lucatello	.....	D6/396
D479,058 S *	9/2003	Walker	.....	D6/448
D481,222 S *	10/2003	Tsai	.....	D6/448
D490,616 S *	6/2004	Ljahnicky et al.	.....	D6/329
6,792,709 B1 *	9/2004	Fine et al.	.....	40/720

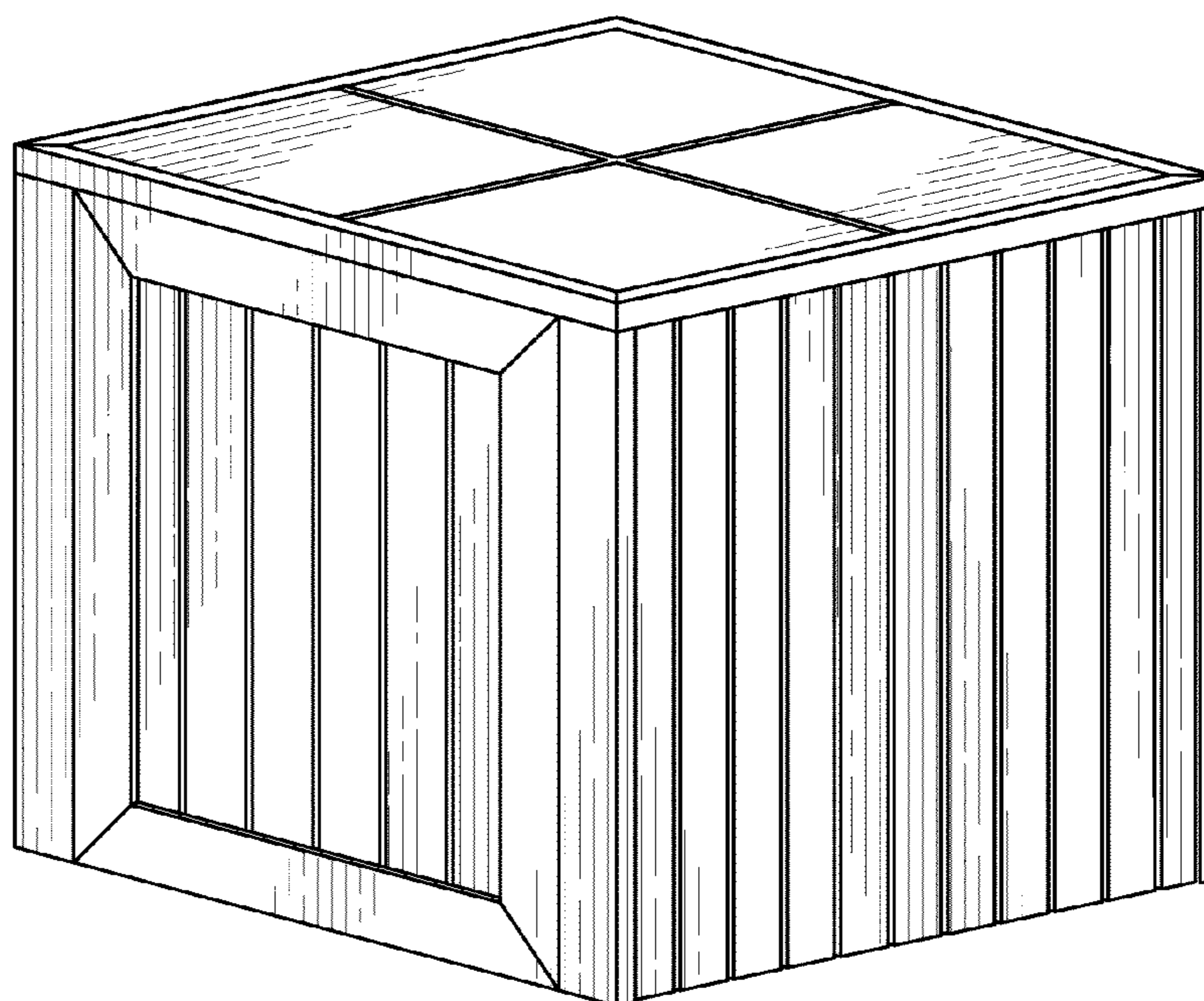
(57) **CLAIM**

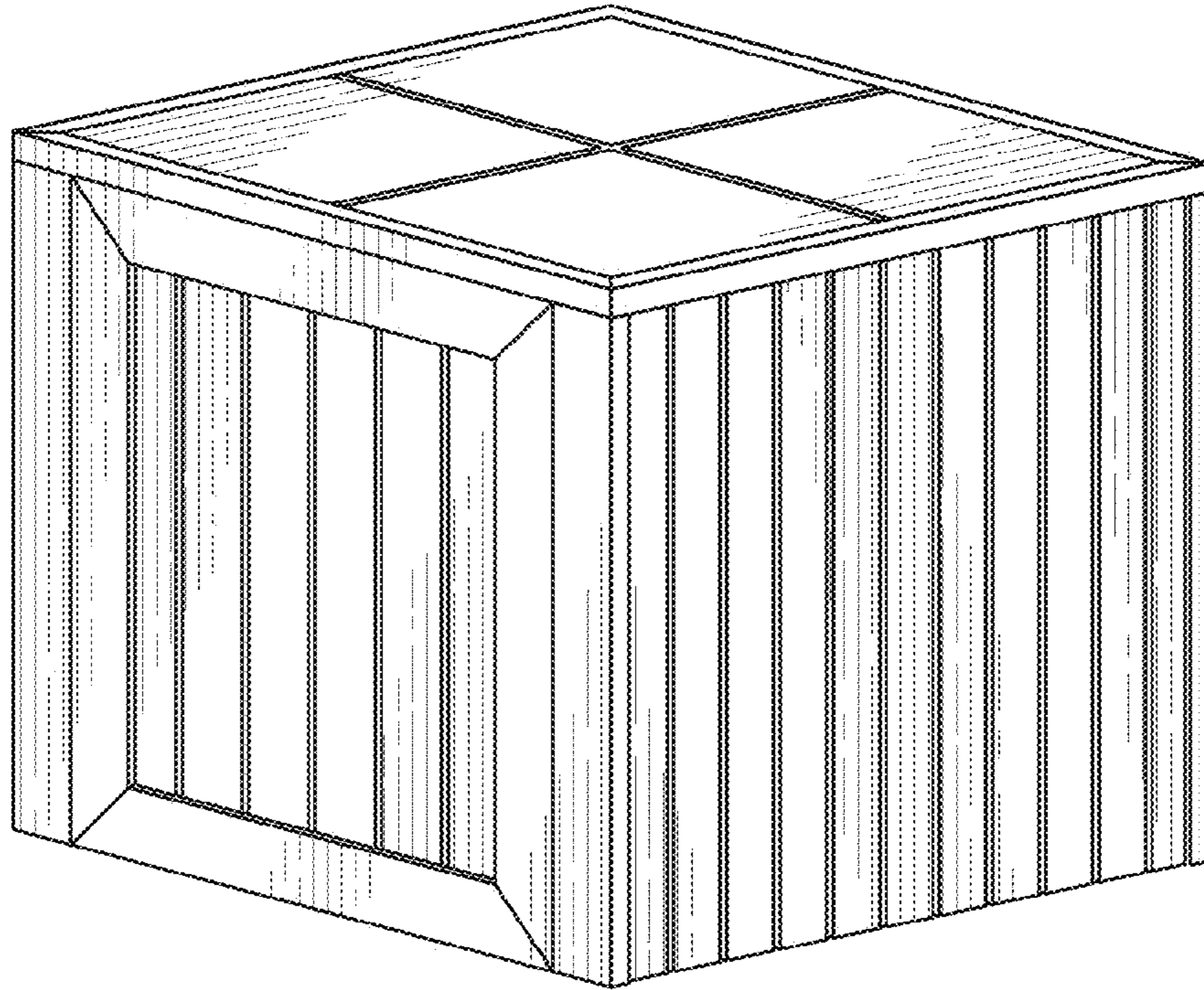
The ornamental design for a modular cube, as shown and described.

**DESCRIPTION**

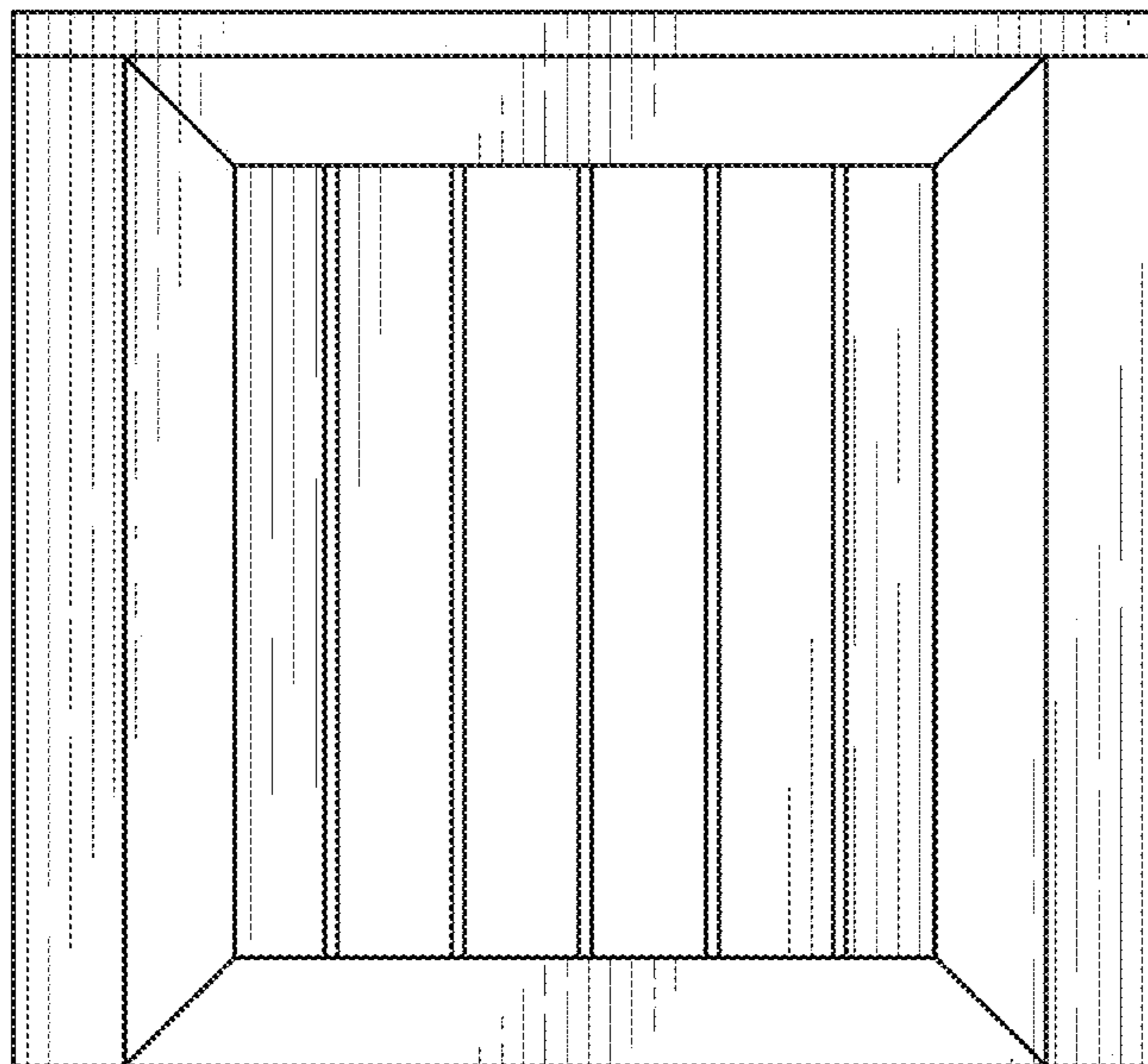
FIG. 1 is a perspective view of the modular cube.  
FIG. 2 is a front view of the modular cube.  
FIG. 3 is a back view of the modular cube.  
FIG. 4 is a side view of the modular cube; and,  
FIG. 5 is a top view of the modular cube.

**1 Claim, 3 Drawing Sheets**

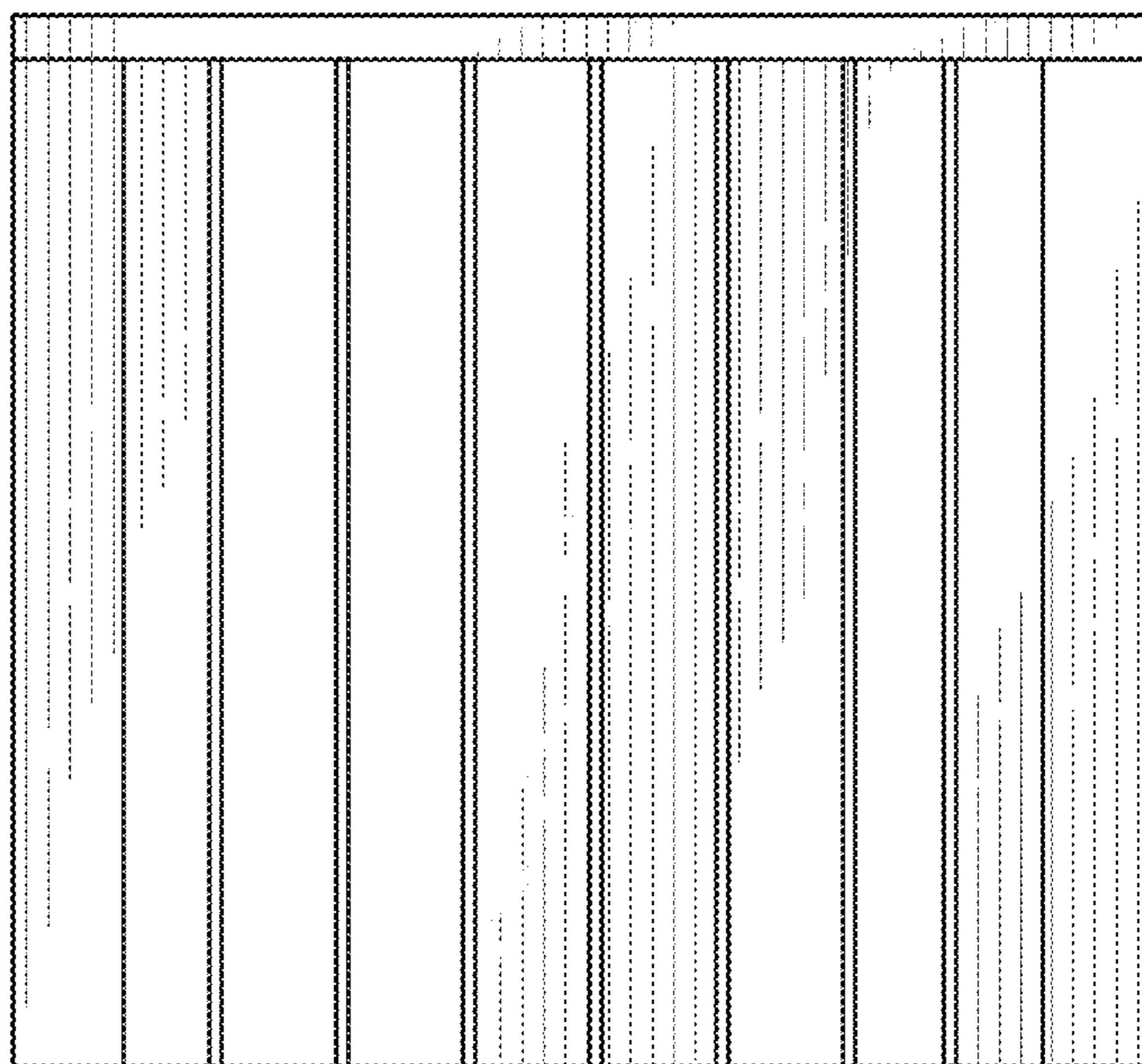




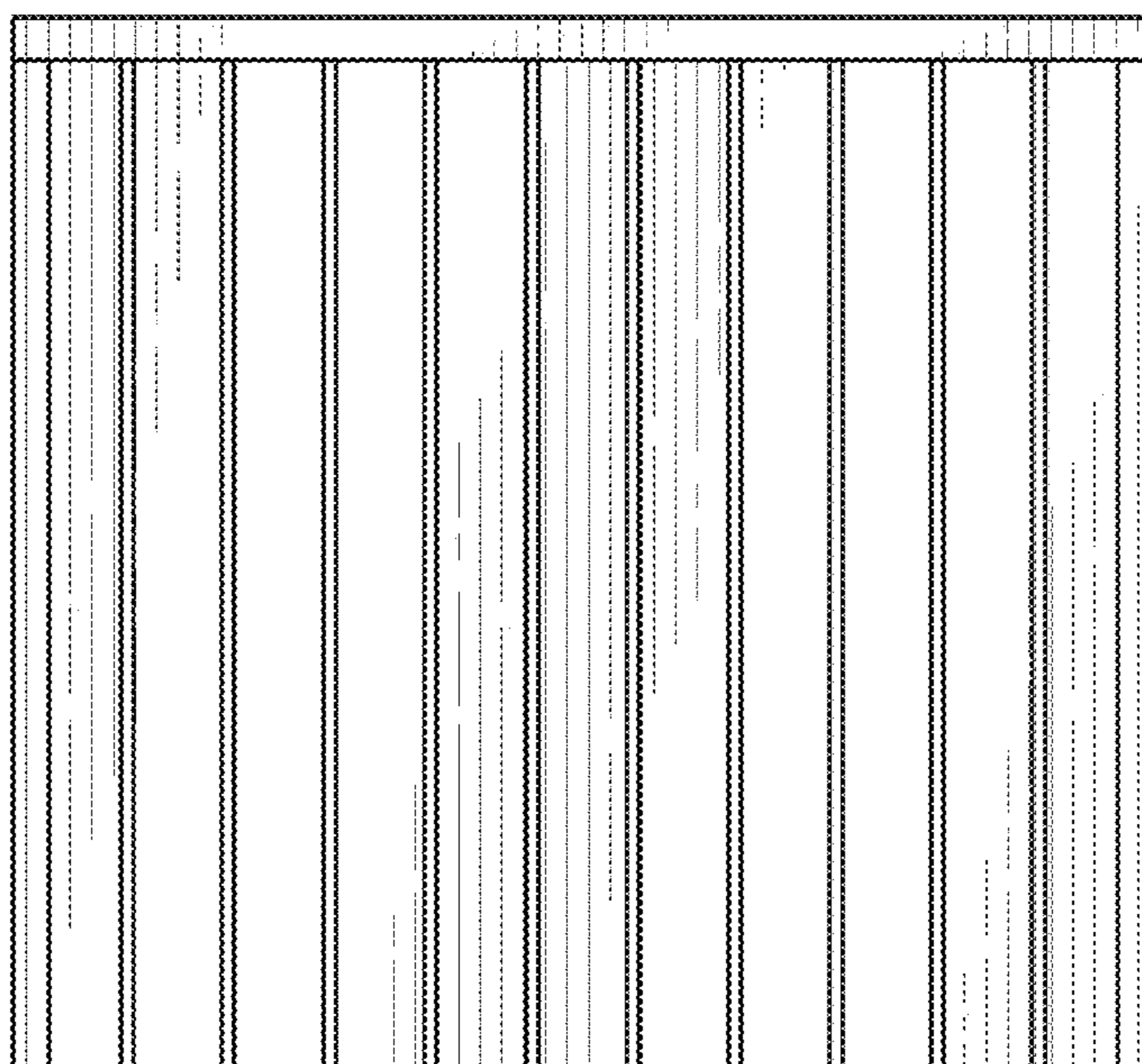
*FIG. 1*



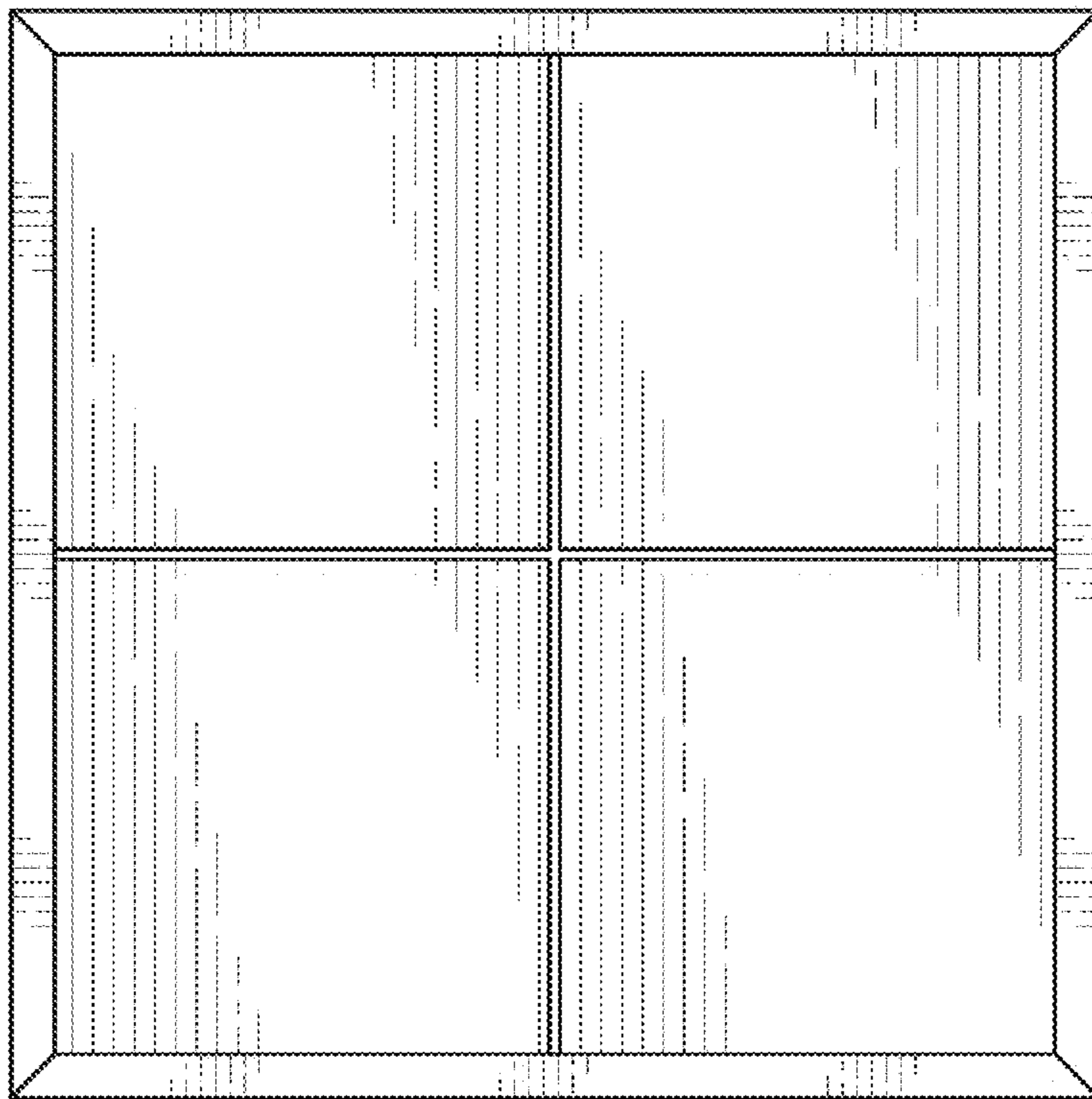
*FIG. 2*



**FIG. 3**



**FIG. 4**



**FIG. 5**