

US00D677075S

(12) **United States Design Patent**
Rodgers et al.

(10) **Patent No.:** **US D677,075 S**

(45) **Date of Patent:** **** *Mar. 5, 2013**

(54) **SNAPABLE FRONT AND REAR DISPLAY WITH INLAY BORDER**

2002/0166275 A1* 11/2002 Broadwell et al. 40/606
2002/0174582 A1* 11/2002 Garfinkle et al. 40/606
2008/0028652 A1* 2/2008 Makhija et al. 40/606.15

(75) Inventors: **Danielle Rodgers**, Indianapolis, IN (US); **Robin Wang**, Foshan (CN)

* cited by examiner

(73) Assignee: **Deflecto, LLC**, Indianapolis, IN (US)

Primary Examiner — Philip S Hyder

Assistant Examiner — Sydney Buffalow

(*) Notice: This patent is subject to a terminal disclaimer.

(74) *Attorney, Agent, or Firm* — SNR Denton US LLP; Brian R. McGinley; Anne K. W. Sutton

(**) Term: **14 Years**

(57) **CLAIM**

The ornamental design for a snapable front and rear display with inlay border, as shown and described.

(21) Appl. No.: **29/376,459**

DESCRIPTION

(22) Filed: **Oct. 7, 2010**

(51) **LOC (9) Cl.** **06-07**

(52) **U.S. Cl.** **D6/449**

(58) **Field of Classification Search** D6/419,
D6/312, 449, 429–431, 420; D20/419; D17/99;
248/441.1, 448.449, 454, 460; 40/607.1,
40/607.4, 607.11, 611.06, 494, 651, 606.15,
40/606.01, 606.14; D13/199

See application file for complete search history.

FIG. 1: is a front elevation view of the snapable front and rear display with inlay border illustrating the new design with the front and rear panel snapped together.

FIG. 2: is a rear elevation view of the snapable front and rear display with inlay border illustrating the new design.

FIG. 3: is a right-side elevation view of the snapable front and rear display with inlay border illustrating the new design with the front and rear panel snapped together.

FIG. 4: is a left-side elevation view of the snapable front and rear display with inlay border illustrating the new design with the front and rear panel snapped together.

FIG. 5: is a top elevation view of the snapable front and rear display with inlay border illustrating the new design with the front and rear panel snapped together and illustrating the inlay border on the rear panel.

FIG. 6: is a front perspective view of the snapable front and rear display with inlay border illustrating the new design with the front and rear panel snapped together and illustrating the inlay border on the rear panel.

FIG. 7: is a front perspective view of the snapable front and rear display with inlay border illustrating the new design with a size variation of the front and rear panel snapped together and illustrating the inlay border on the rear panel; and,

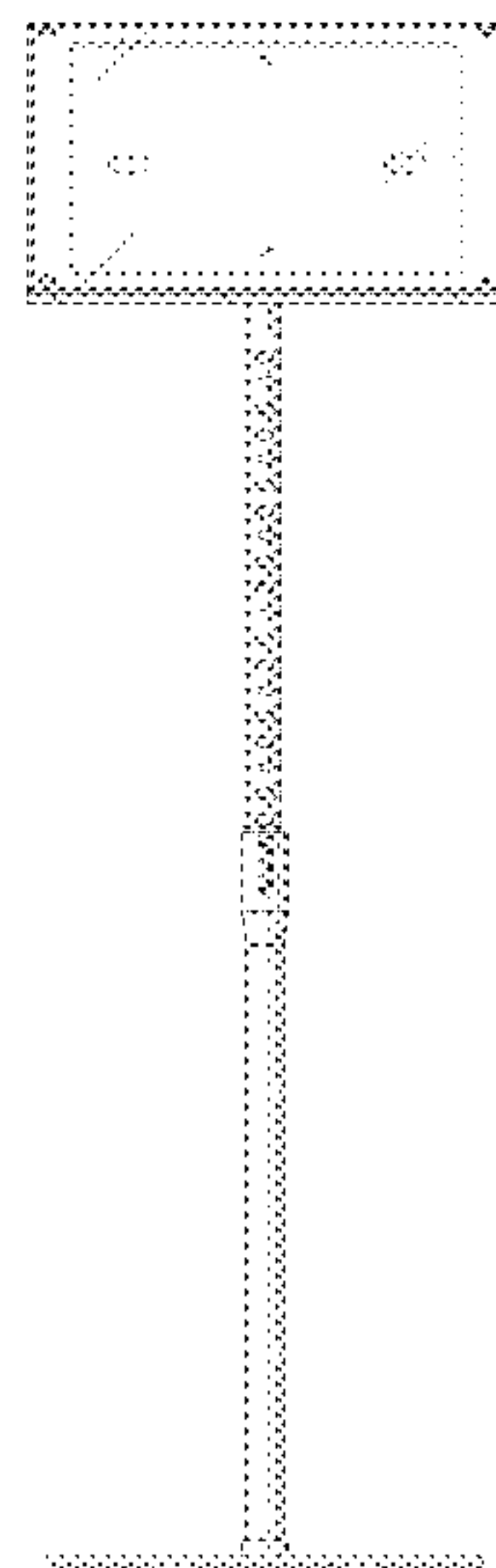
FIG. 8: is an exploded view of a portion of the snapable front and rear display with inlay border illustrating the new design.

(56) **References Cited**

U.S. PATENT DOCUMENTS

| | | | | |
|-----------|-----|---------|------------------|-----------|
| 641,522 | A * | 1/1900 | Leger | 40/651 |
| 4,777,750 | A * | 10/1988 | Garfinkle | 40/607.04 |
| D342,549 | S * | 12/1993 | Hofman | D20/41 |
| D346,286 | S * | 4/1994 | Caponigro et al. | D6/419 |
| D388,262 | S * | 12/1997 | Benting et al. | D6/419 |
| D478,343 | S * | 8/2003 | Heid | D17/99 |
| D535,109 | S * | 1/2007 | Palmer | D6/312 |
| D543,366 | S * | 5/2007 | Weatherly | D6/312 |
| D556,833 | S * | 12/2007 | Maier-Hunke | D20/41 |
| D582,986 | S * | 12/2008 | Sanchez | D20/19 |
| D598,217 | S | 8/2009 | Bode | |
| D625,528 | S * | 10/2010 | Sprague | D6/449 |
| D635,800 | S | 4/2011 | Rodgers et al. | |
| D639,088 | S * | 6/2011 | Rodgers et al. | D6/449 |
| D644,618 | S * | 9/2011 | Morihira | D13/199 |

1 Claim, 6 Drawing Sheets



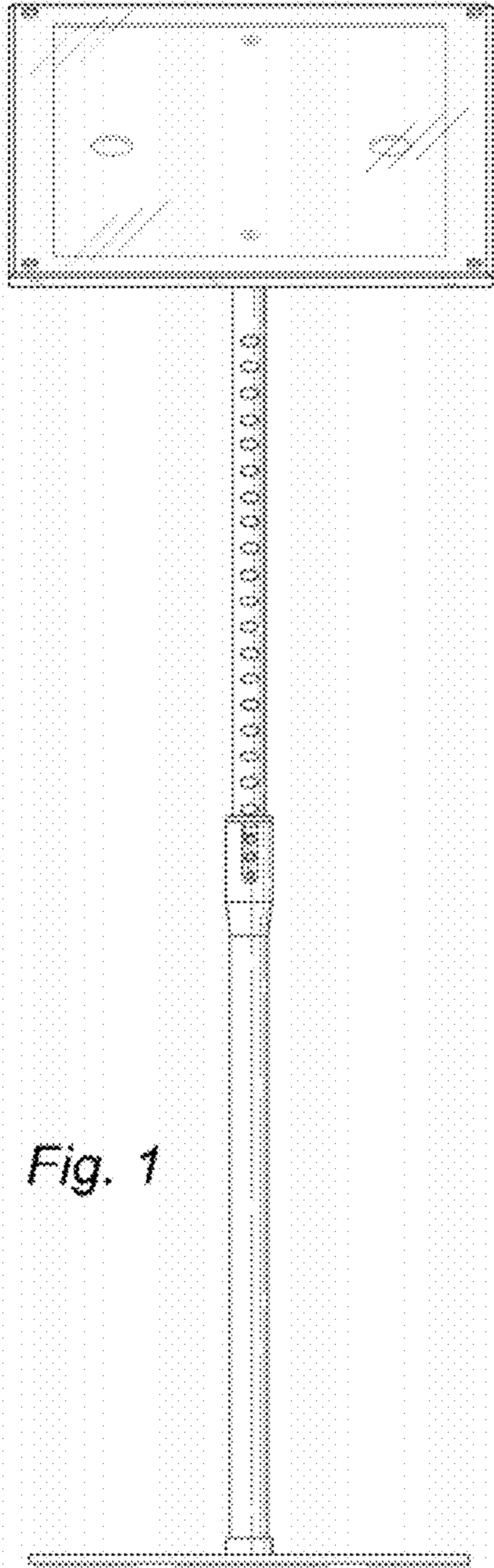


Fig. 1

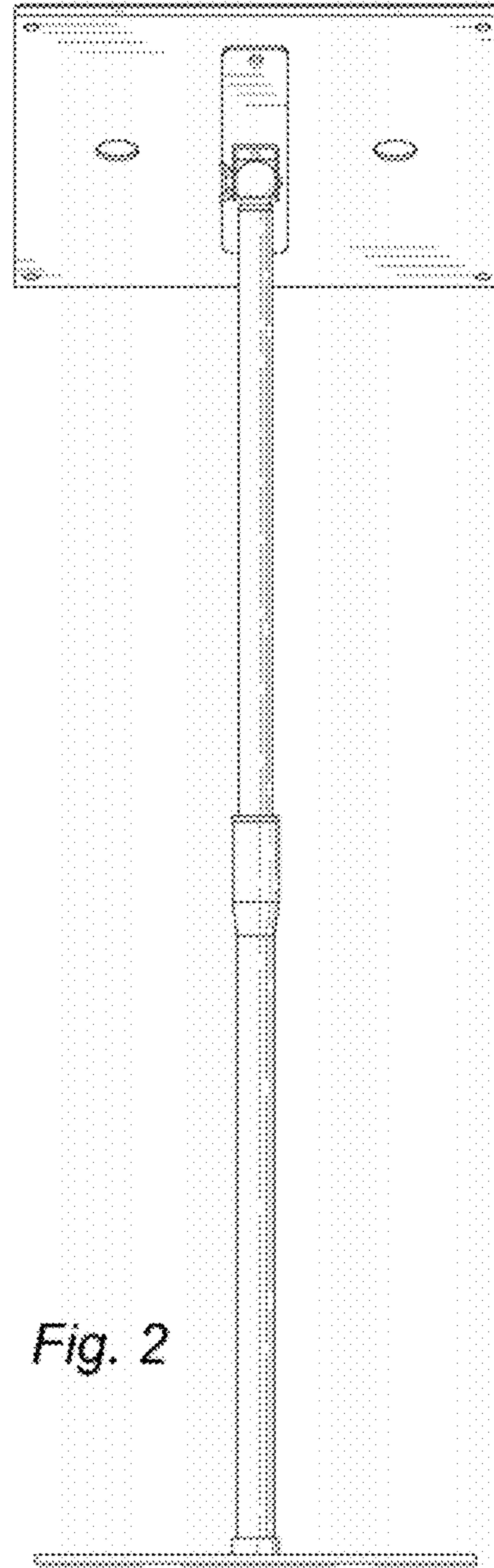


Fig. 2

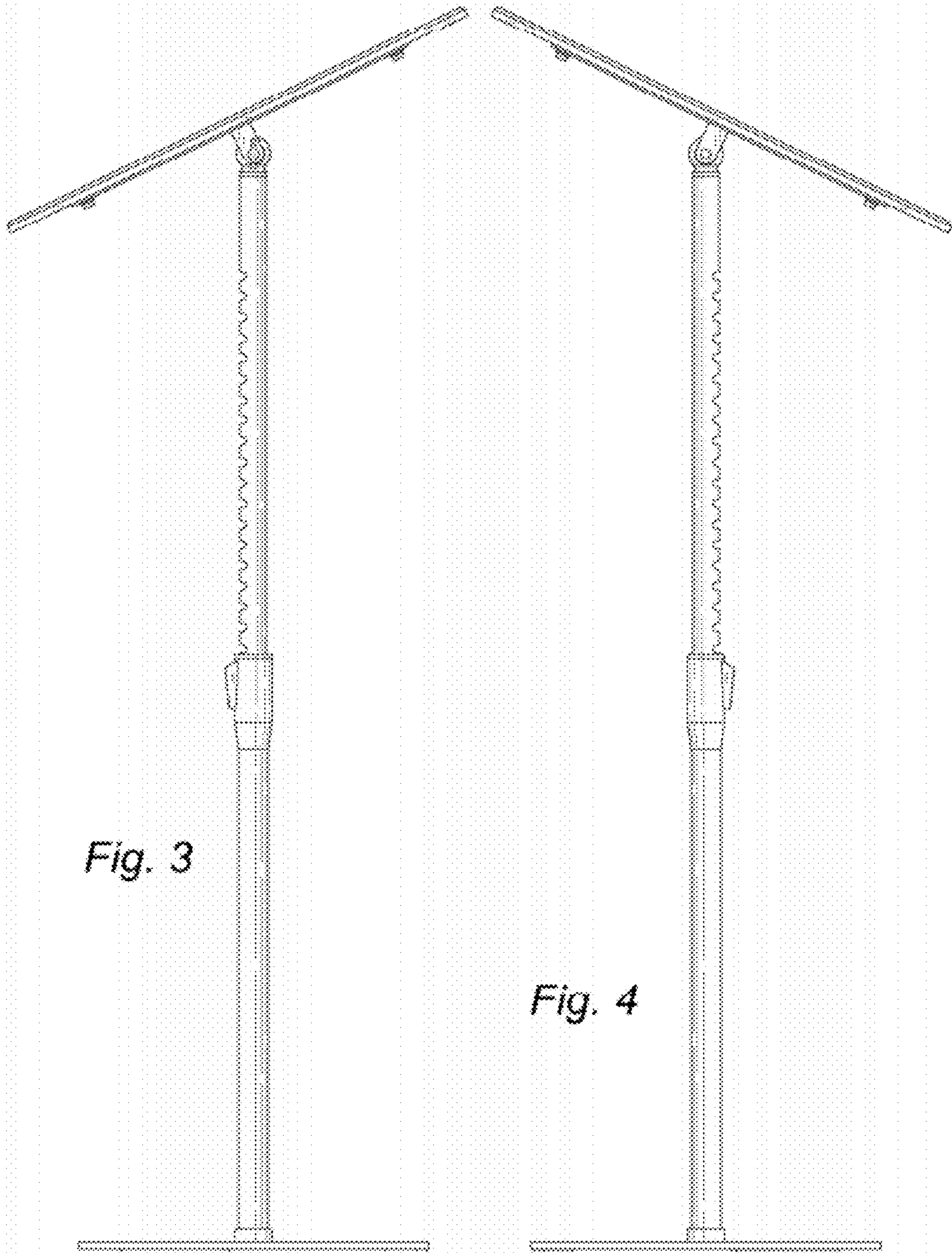


Fig. 3

Fig. 4

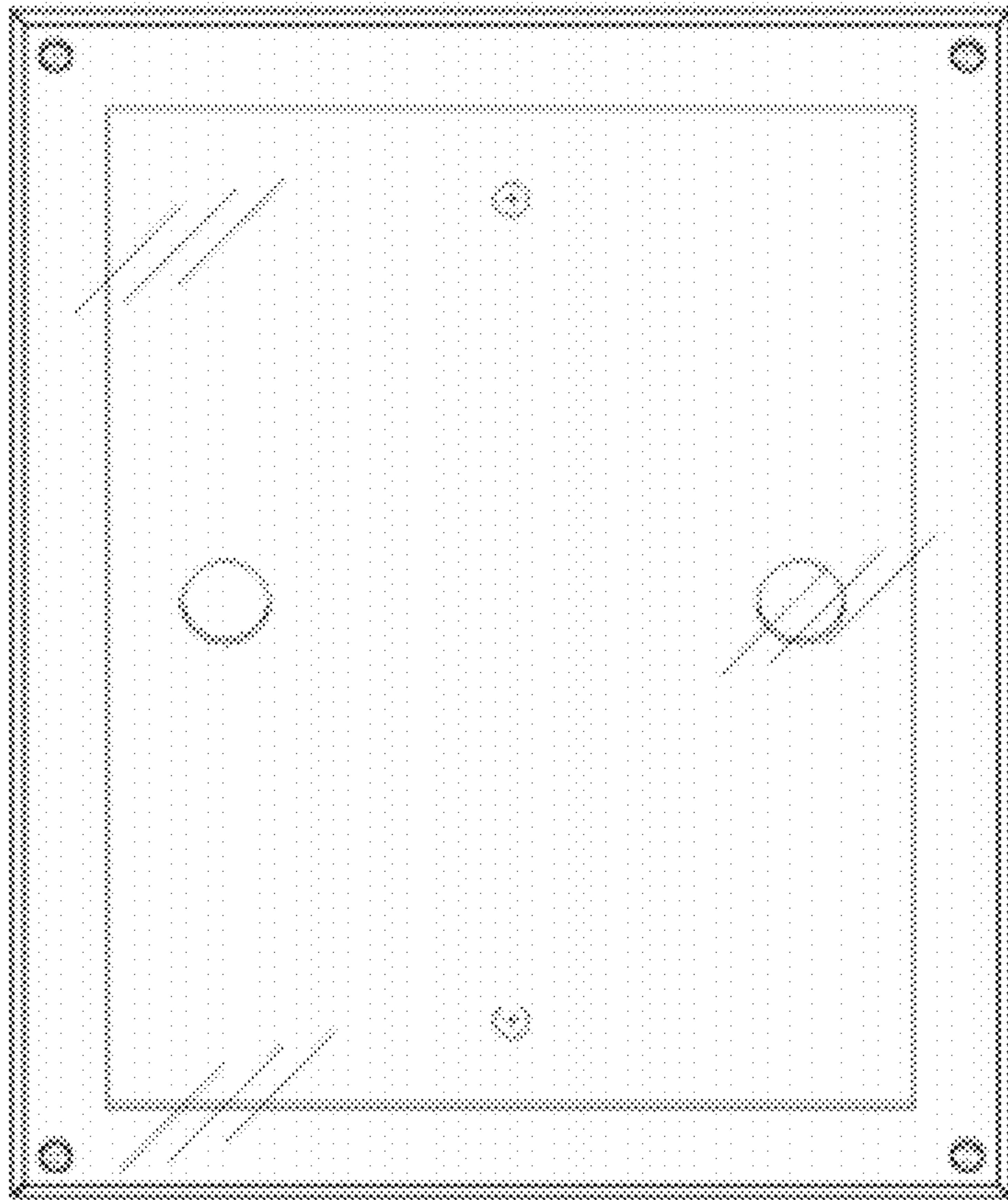


Fig. 5

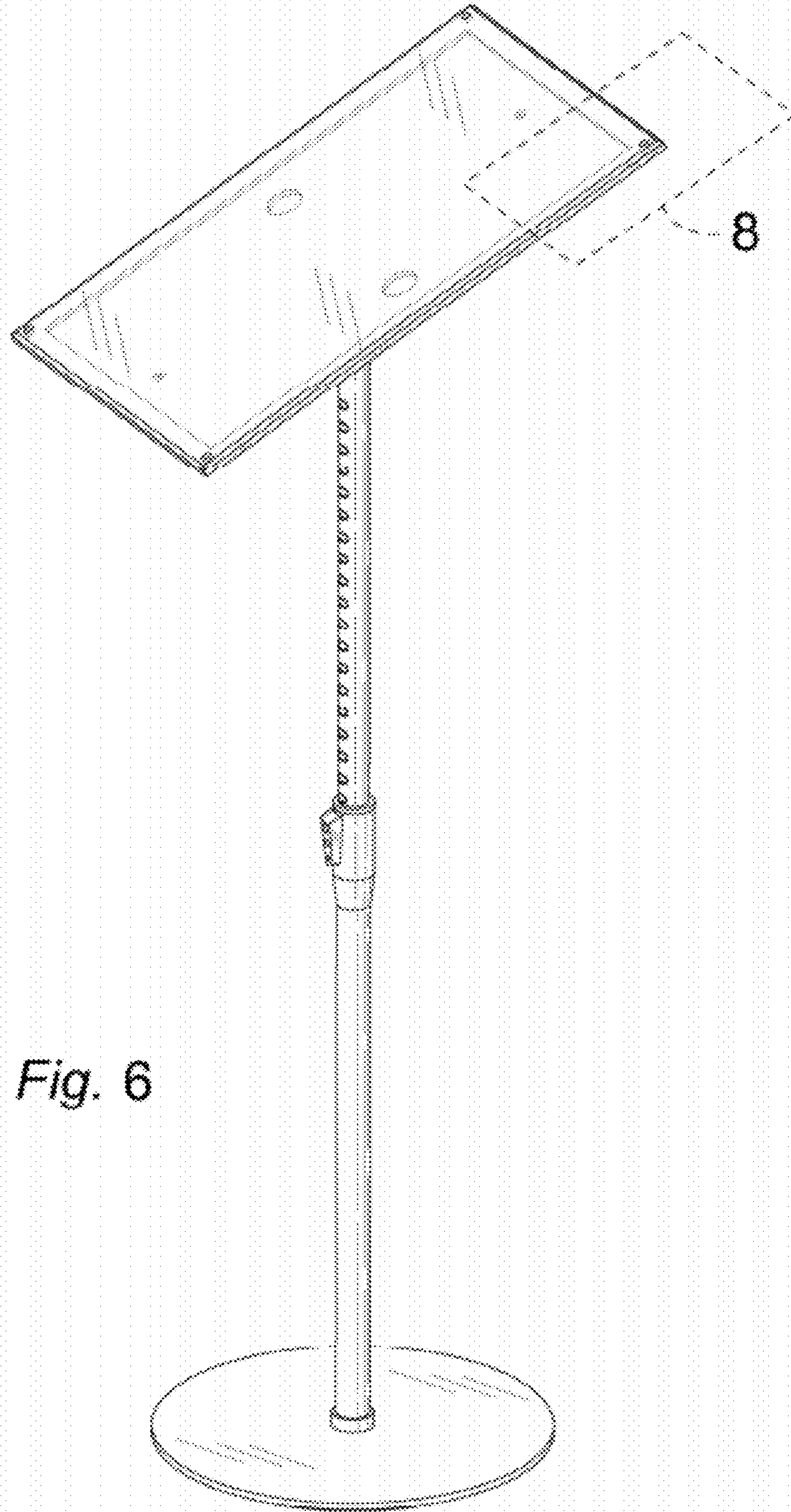


Fig. 6

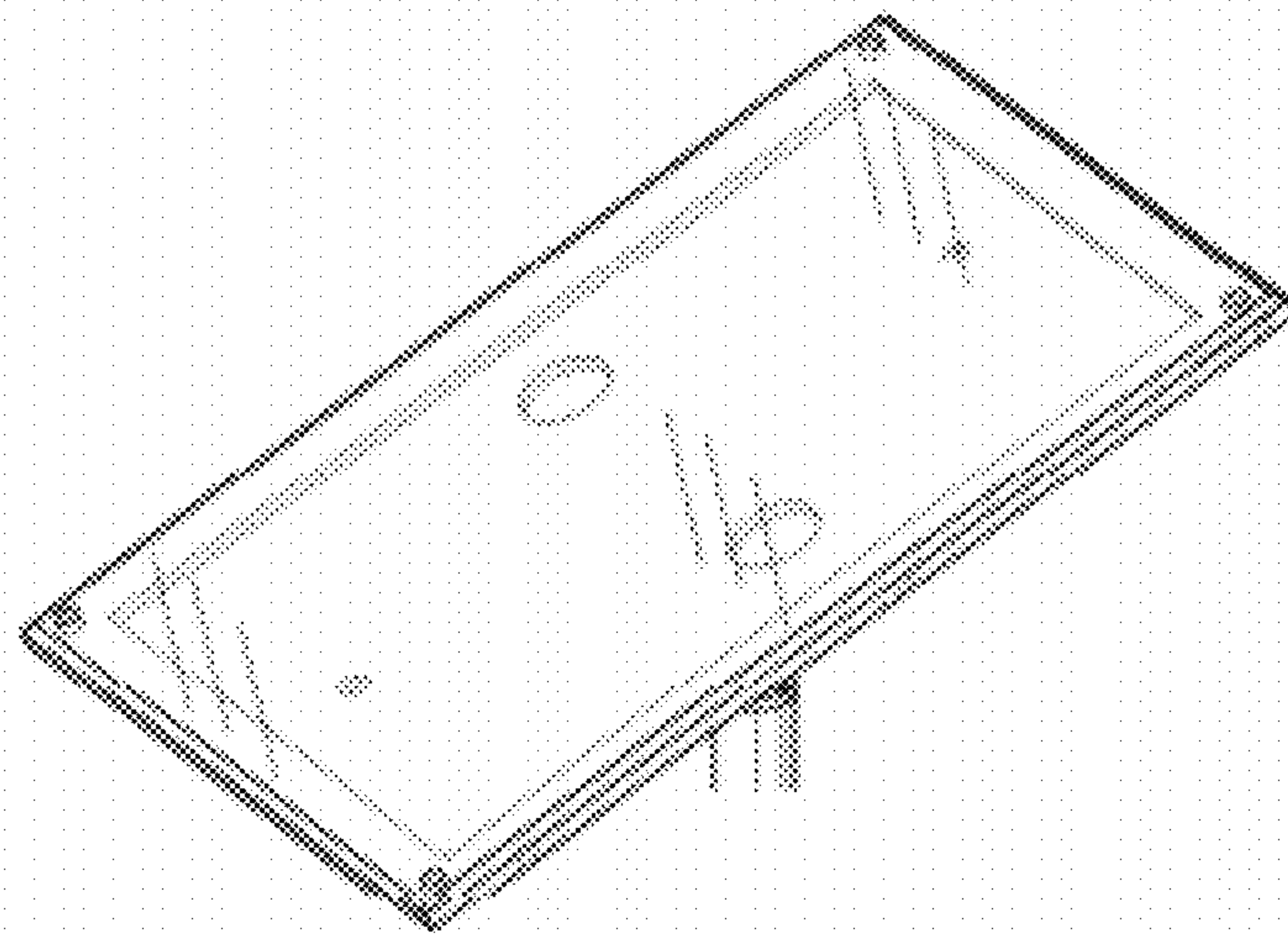


Fig. 7

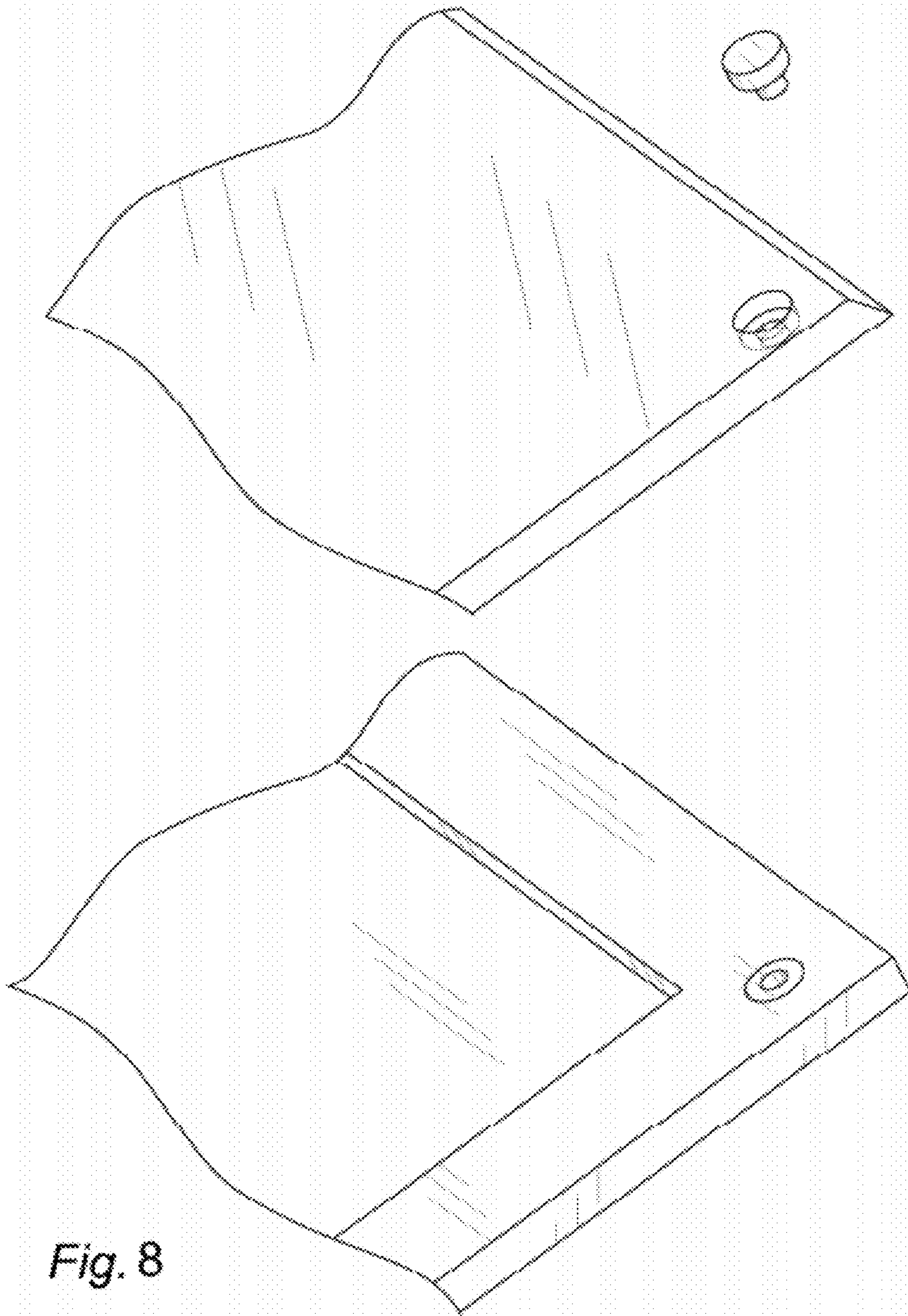


Fig. 8