



US00D677070S

(12) **United States Design Patent**
Kanhasamy

(10) **Patent No.:** **US D677,070 S**
(45) **Date of Patent:** **** Mar. 5, 2013**

(54) **CONVERTIBLE SOFA WITH MULTIPLE POSITIONS**

D600,037 S *	9/2009	Natuzzi	D6/381
D613,090 S *	4/2010	Boydak	D6/381
D618,929 S *	7/2010	Yeong	D6/381
D621,174 S *	8/2010	Kanhasamy	D6/381

(75) Inventor: **Abedan Kanhasamy**, Kuala Lumpur (MY)

* cited by examiner

(73) Assignee: **Lifestyle Solutions, Inc.**, Fremont, CA (US)

Primary Examiner — Sandra Snapp

(74) *Attorney, Agent, or Firm* — Robert A. Voigt, Jr.; Winstead P.C.

(**) Term: **14 Years**

(21) Appl. No.: **29/418,904**

(57) **CLAIM**

The ornamental design for this convertible sofa with multiple positions, as shown and described.

(22) Filed: **Apr. 23, 2012**

(51) **LOC (9) Cl.** **06-01**

(52) **U.S. Cl.** **D6/381**

(58) **Field of Classification Search** D6/334–338, D6/349, 355, 361, 368–370, 376, 379–381, D6/492, 500–502; 297/16.1, 42, 94, 135, 297/175, 232, 233, 350, 351, 445.1, 448.1, 297/448.2, 451.9; 5/12.1, 12.2

See application file for complete search history.

DESCRIPTION

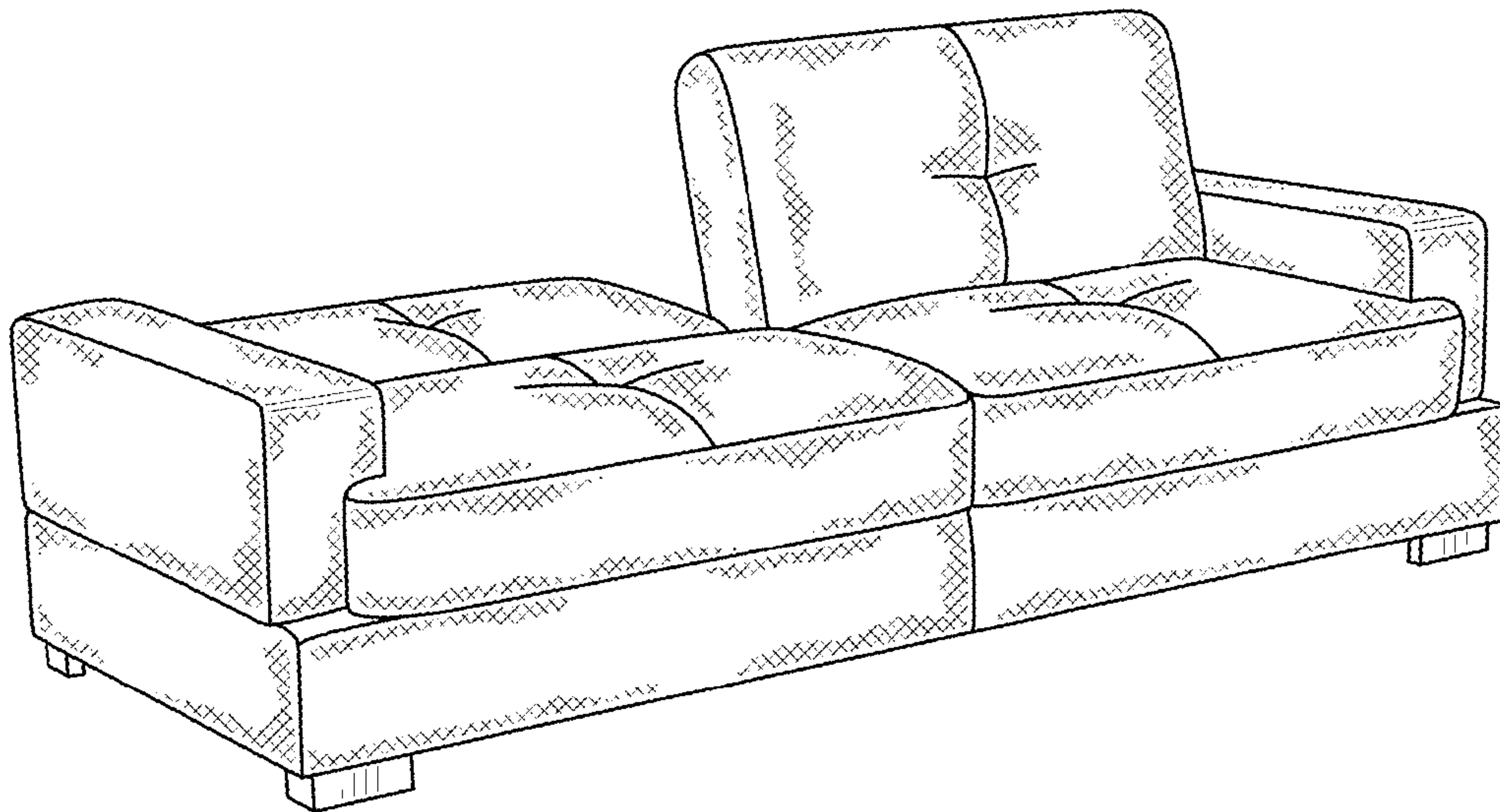
FIG. 1 is a front perspective view of the convertible sofa being in a sofa position;
FIG. 2 is a front perspective view of the side of the convertible sofa being in a sofa position;
FIG. 3 is a front perspective view of the side of the convertible sofa being in a lounge position;
FIG. 4 is a front perspective view of the side of the convertible sofa being in a splitback position where one side of the seat deck is folded down and the other side of the seat deck remains in the sofa position;
FIG. 5 is a front perspective view of the side of the convertible sofa being in a bed position; and,
FIG. 6 is a rear perspective view of the side of the convertible sofa being in the sofa position.

(56) **References Cited**

U.S. PATENT DOCUMENTS

D477,152 S *	7/2003	Levy	D6/381
D484,327 S *	12/2003	Ricci	D6/381
D495,514 S *	9/2004	Ricci	D6/381
D515,333 S *	2/2006	Natuzzi	D6/381
D515,334 S *	2/2006	Natuzzi	D6/381
D541,074 S *	4/2007	Natuzzi	D6/381
D548,997 S *	8/2007	Nicoletti	D6/381
D552,862 S *	10/2007	Natuzzi	D6/381

1 Claim, 3 Drawing Sheets



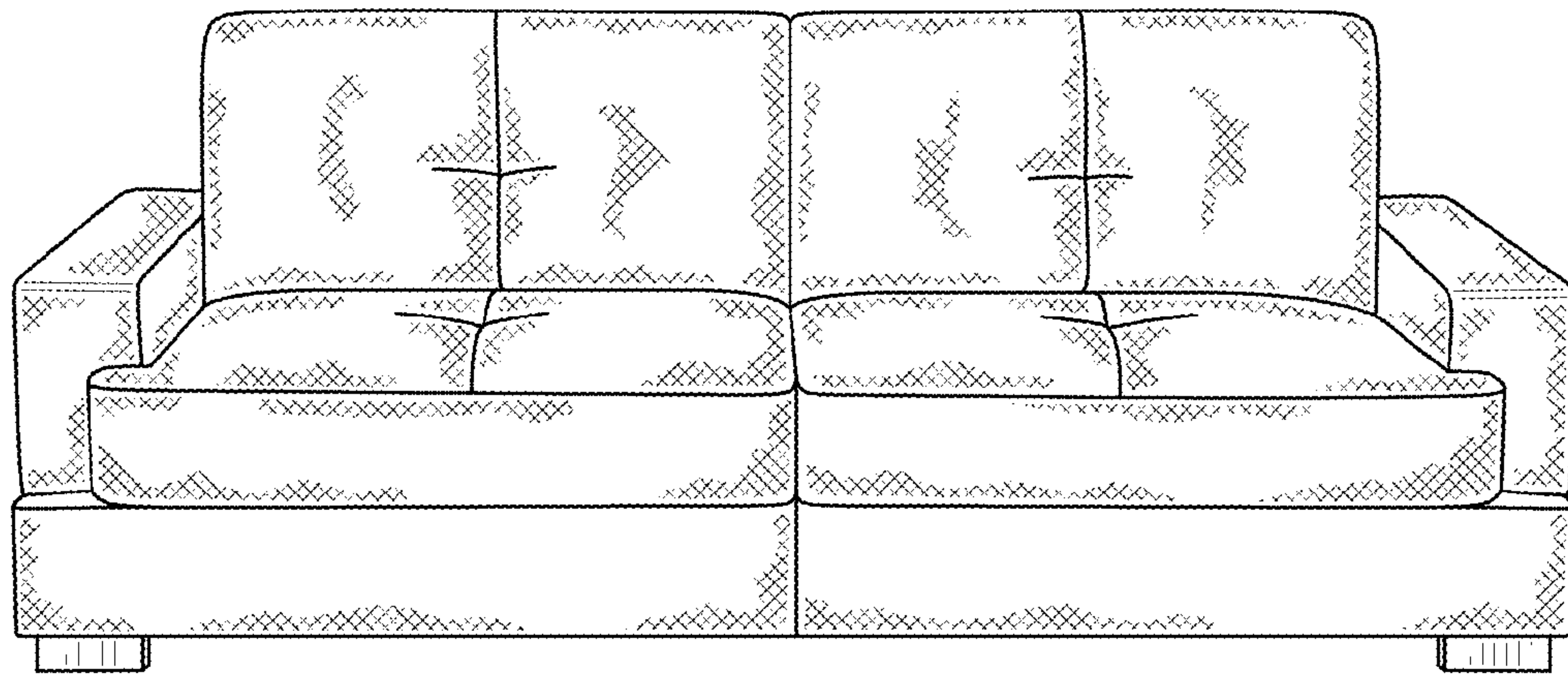


FIG. 1

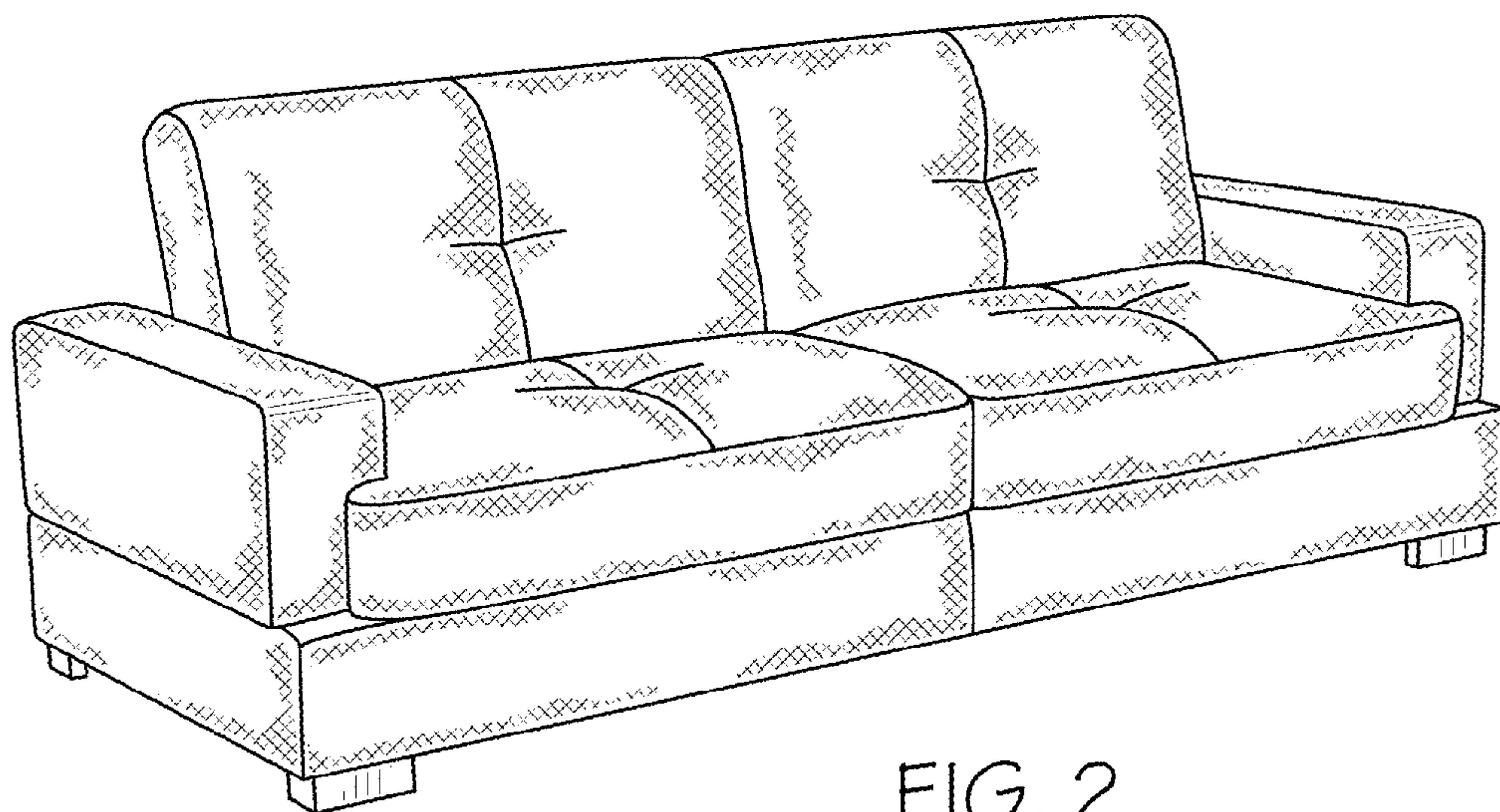


FIG. 2

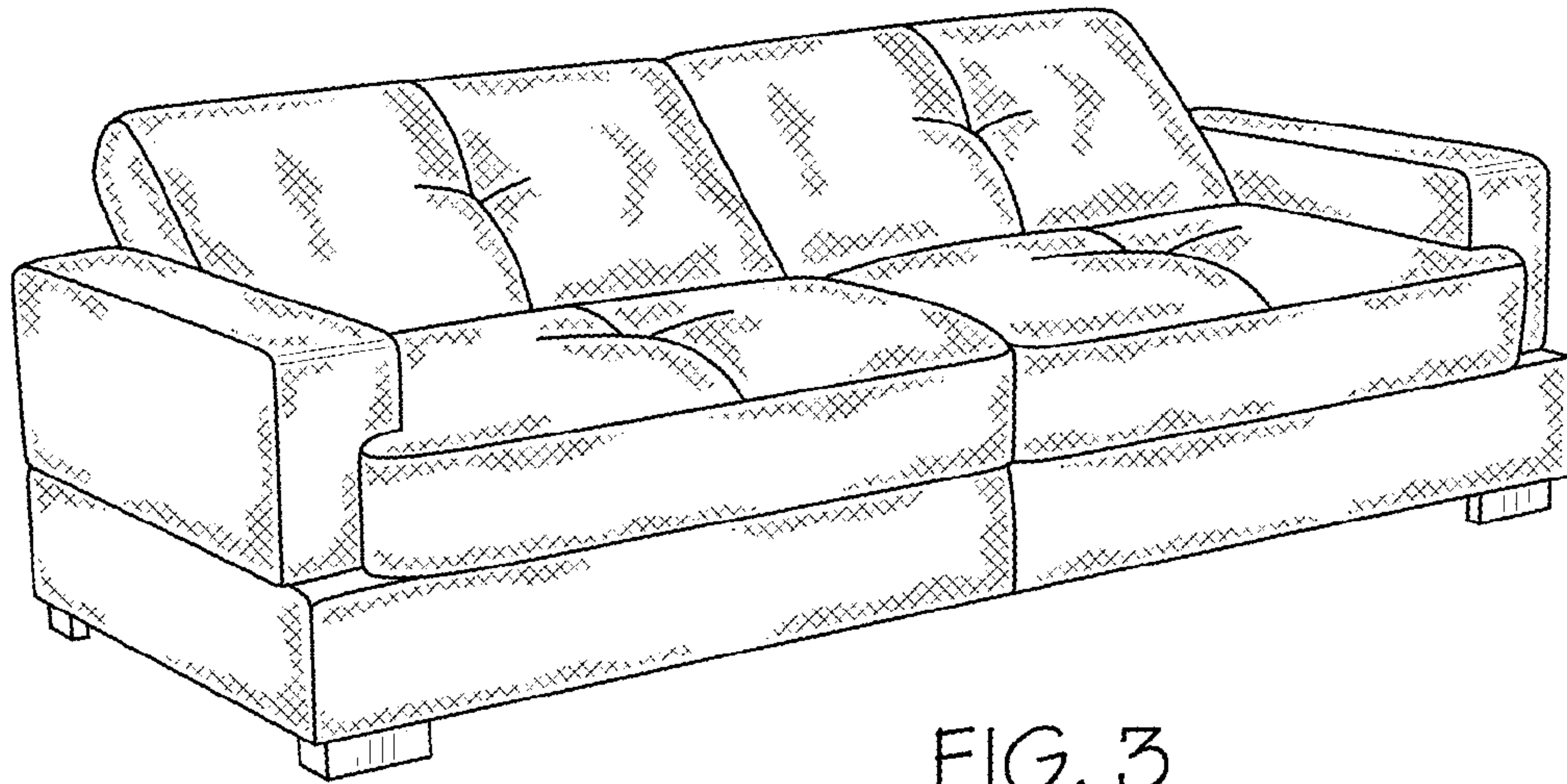


FIG. 3

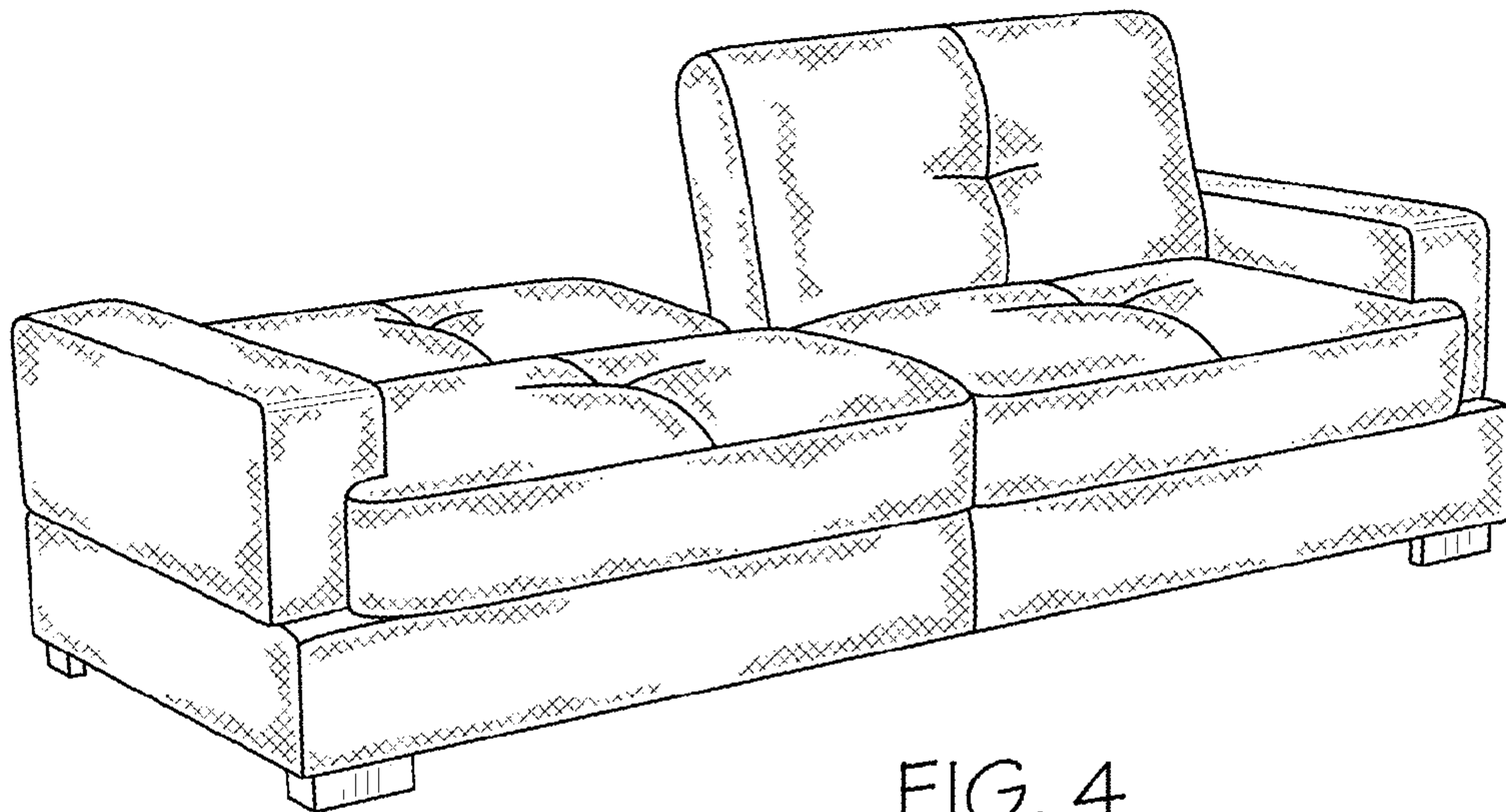


FIG. 4

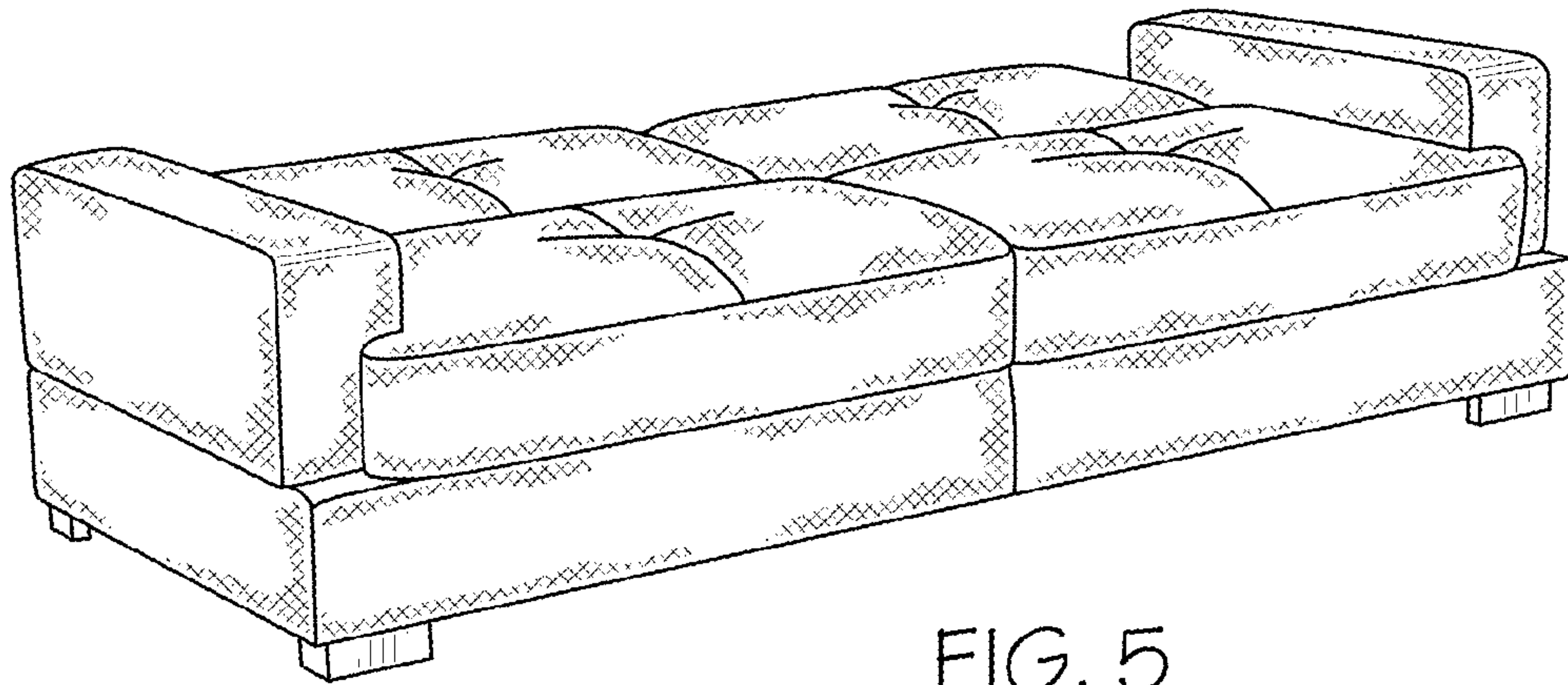


FIG. 5

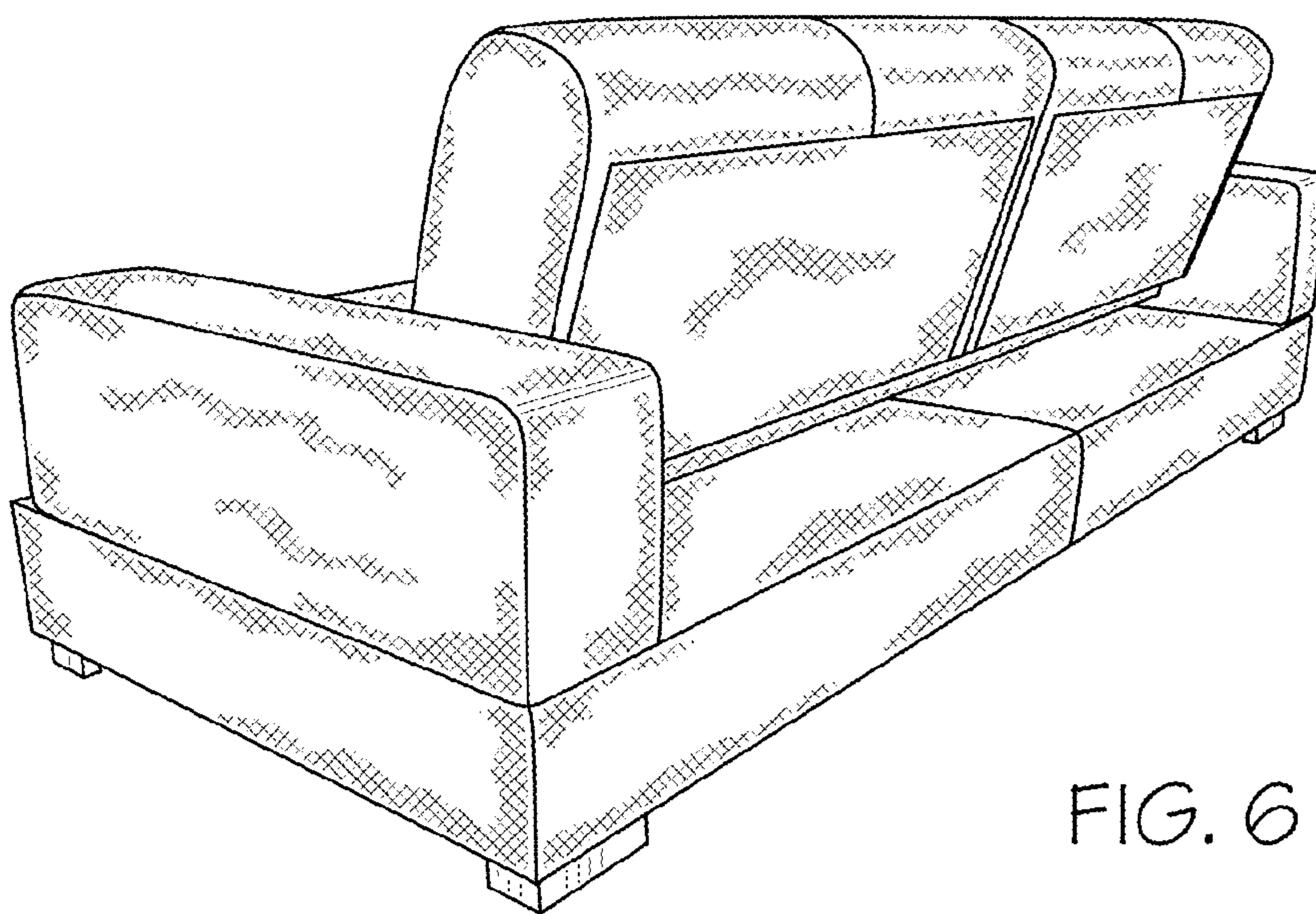


FIG. 6