



US00D677059S

(12) **United States Design Patent**  
**Floyd et al.**

(10) **Patent No.:** **US D677,059 S**  
(45) **Date of Patent:** **\*\* Mar. 5, 2013**

(54) **BRUSH**

(75) Inventors: **Brian Lee Floyd**, Cincinnati, OH (US);  
**Brandon Albert Lynne**, Daly City, CA (US);  
**Jesse Samuel Madsen**, Oakland, CA (US)

(73) Assignee: **The Gillette Company**, Boston, MA (US)

(\*\*) Term: **14 Years**

(21) Appl. No.: **29/431,207**

(22) Filed: **Sep. 5, 2012**

(51) **LOC (9) Cl.** ..... **04-02**

(52) **U.S. Cl.** ..... **D4/127**

(58) **Field of Classification Search** ..... D4/127,  
D4/135, 138; D28/7; 15/143.1, 159.1, 160,  
15/191.1-195, 198; 132/286, 289, 290, 293,  
132/294, 313, 317, 320

See application file for complete search history.

(56) **References Cited**

**U.S. PATENT DOCUMENTS**

611,969	A *	10/1898	Legrand	132/290
1,674,972	A *	6/1928	Kendrick et al.	401/270
D81,088	S *	5/1930	Earon	D4/127
1,810,544	A	6/1931	Trupiano	
1,909,146	A	5/1933	Bohanan	
1,956,477	A *	4/1934	Sega	15/185
2,681,462	A	6/1954	Turnes	
D564,232	S	3/2008	Schulz	
2009/0089949	A1 *	4/2009	Mink et al.	15/160

**OTHER PUBLICATIONS**

GB 3017525 Registered Design Application (White Strands Ltd.)  
Aug. 13, 2004, [online], [retrieved on Dec. 13, 2012] Retrieved from  
the Design Database of the Intellectual Property Office of the United  
Kingdom using the Internet: <URL: <http://www.ipo.gov.uk>>.\*  
Hair-Brushes.Com Shaving Brush—Item No. SB-012 [online], Jsiu  
Beauty Co., Ltd. (China), Nov. 29, 2006, [retrieved on Dec. 13,  
2012]. Retrieved from the Internet using Internet Archive: <URL:  
[http://web-beta.archive.org/web/\\*/http://www.hair-brushes.com](http://web-beta.archive.org/web/*/http://www.hair-brushes.com)>.\*

\* cited by examiner

*Primary Examiner* — Melanie H Tung

*Assistant Examiner* — Lavone D Tabor

(74) *Attorney, Agent, or Firm* — Kevin C. Johnson; Steven  
W. Miller

(57) **CLAIM**

The ornamental design for a brush, as shown and described.

**DESCRIPTION**

FIG. 1 is a perspective view of a brush of the present inven-  
tion;

FIG. 2 is a front view thereof;

FIG. 3 is a rear view thereof;

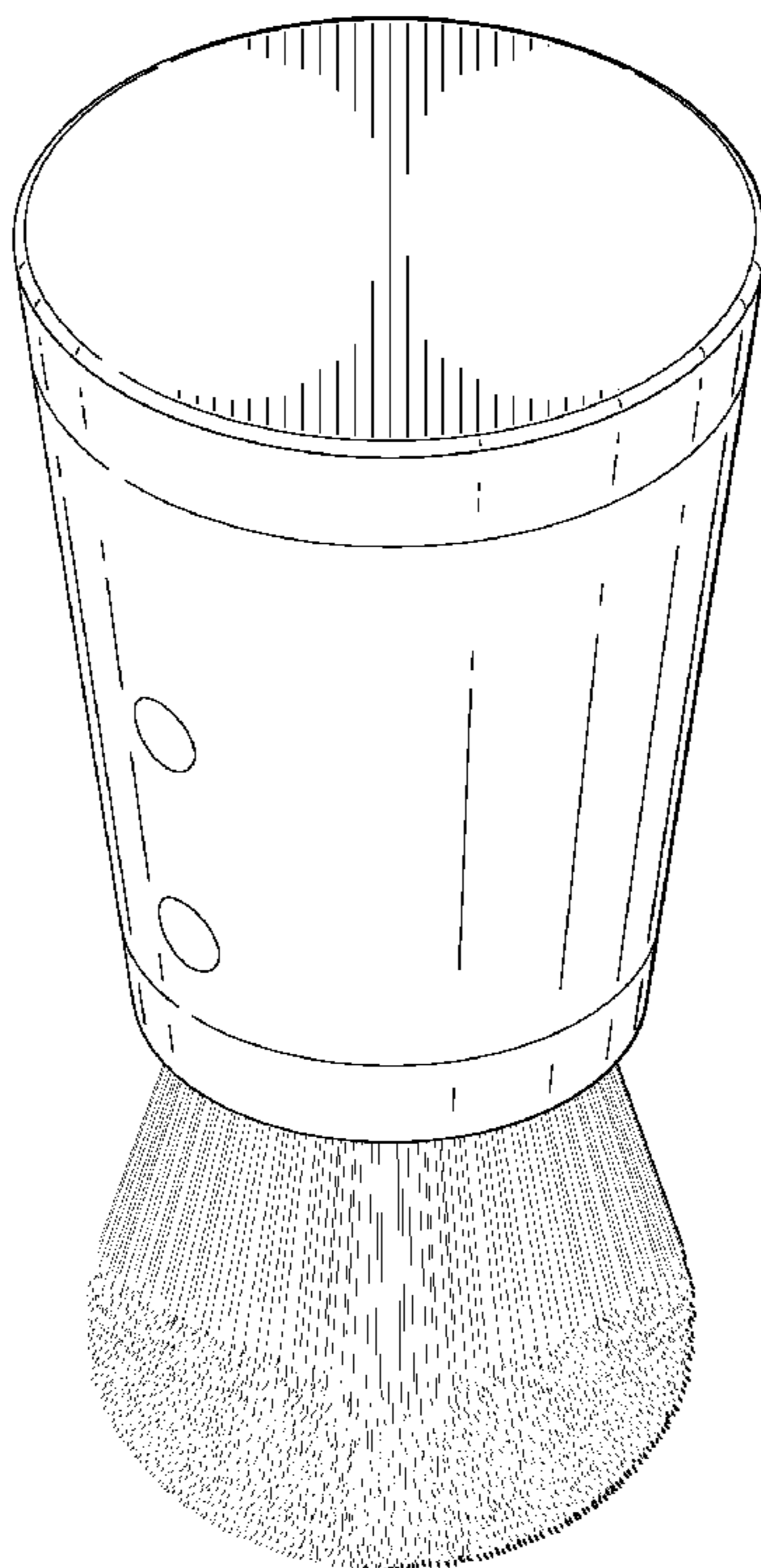
FIG. 4 is a right side view thereof;

FIG. 5 is a left side view thereof;

FIG. 6 is a top view thereof; and,

FIG. 7 is a bottom view thereof.

**1 Claim, 6 Drawing Sheets**



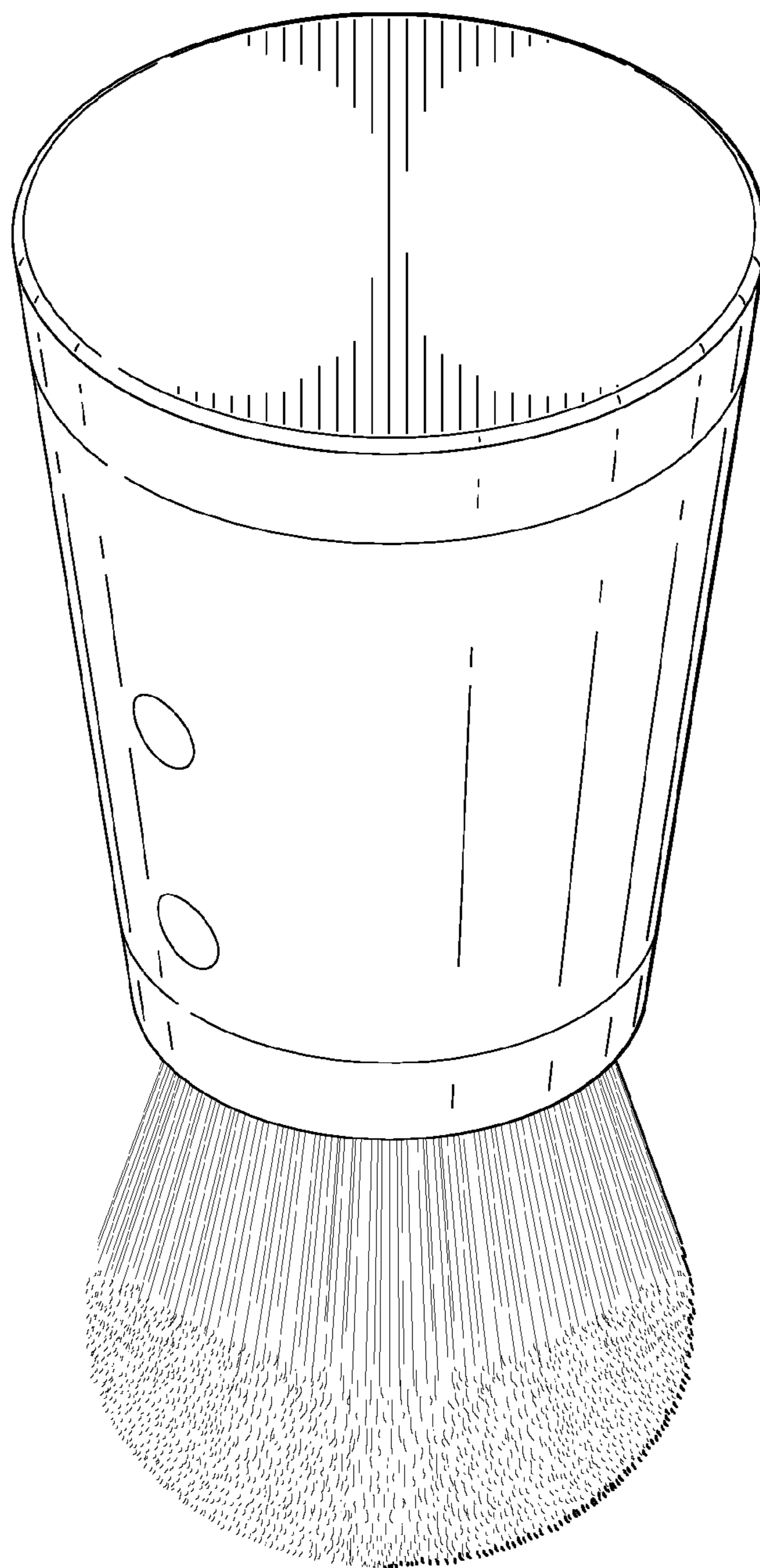


FIG. 1

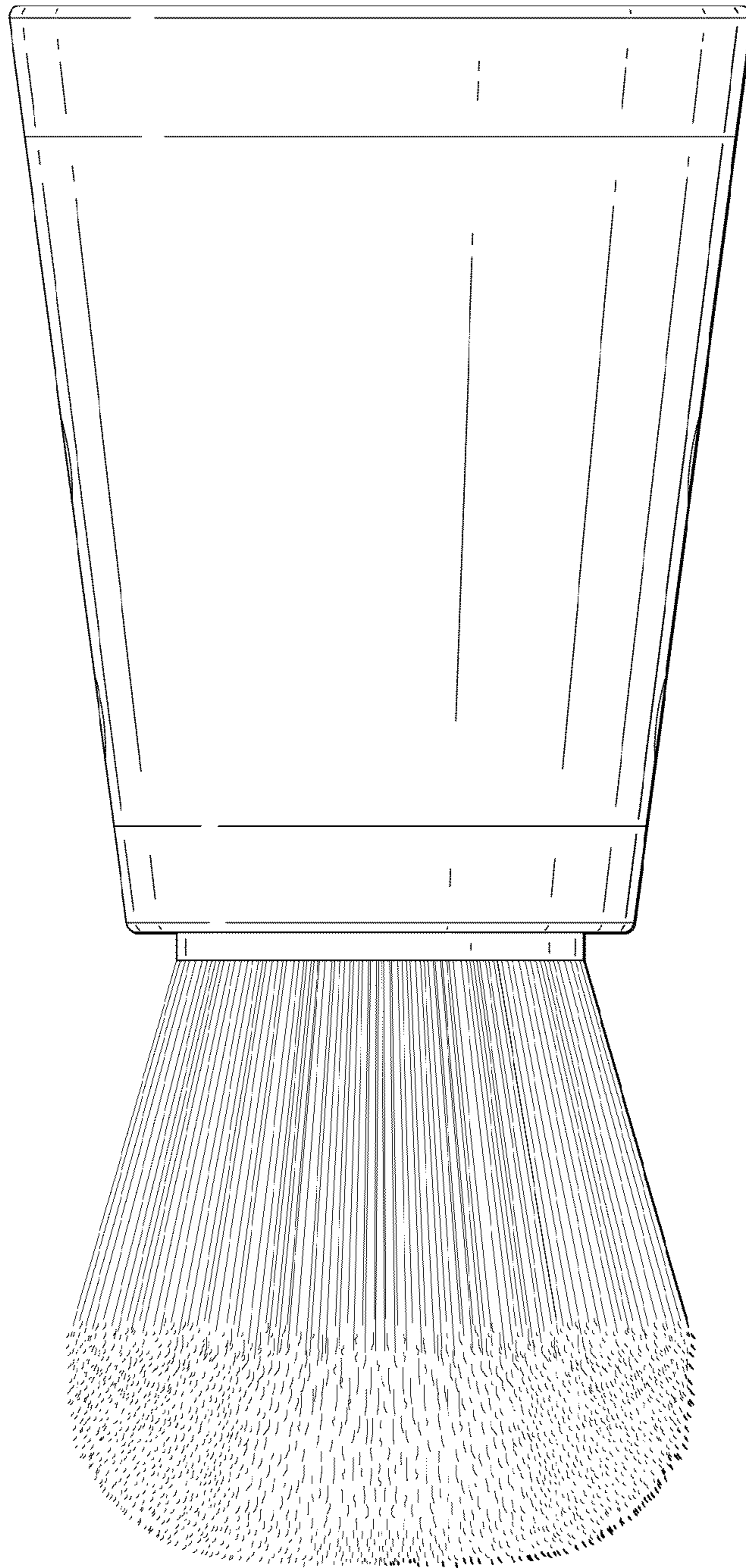


FIG. 2

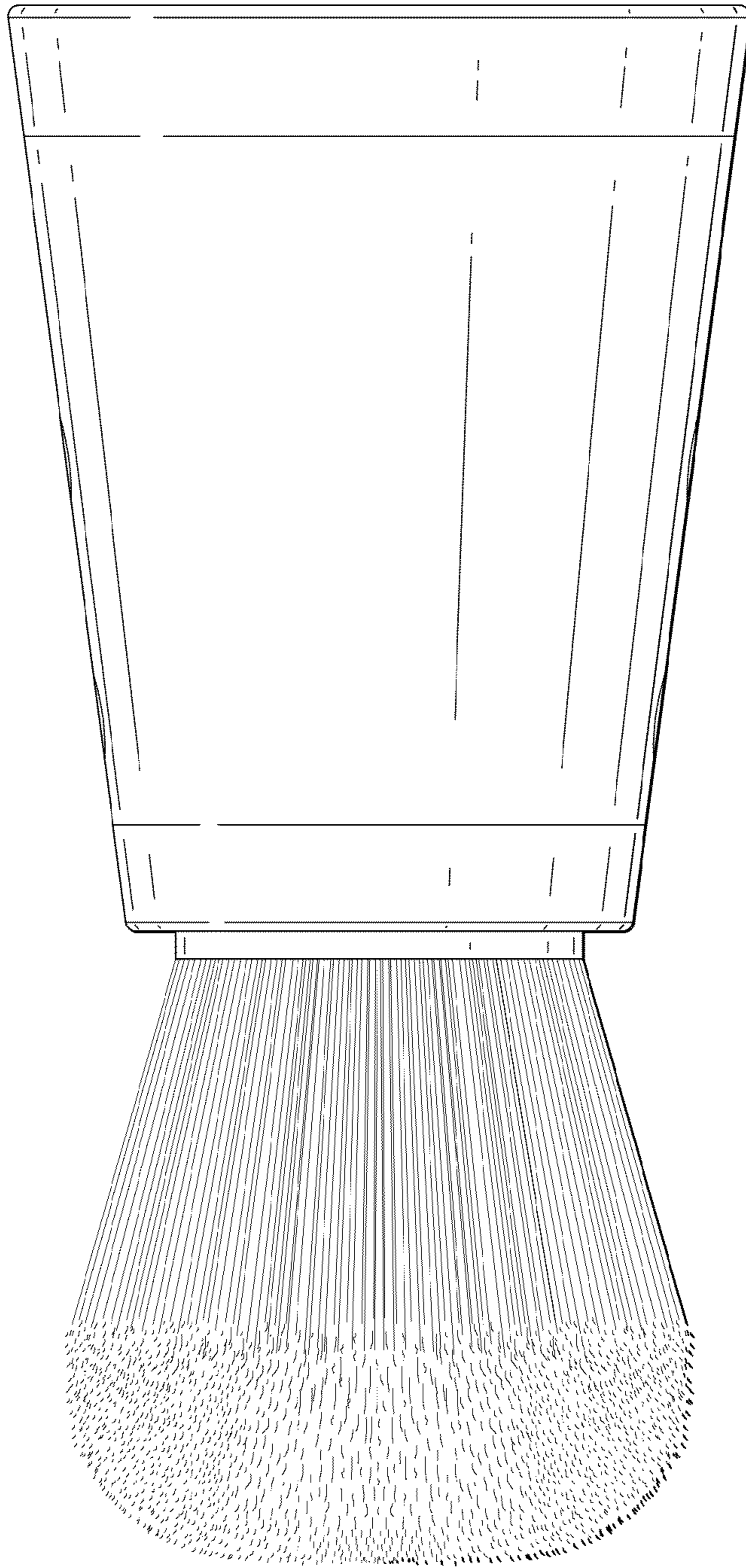


FIG. 3

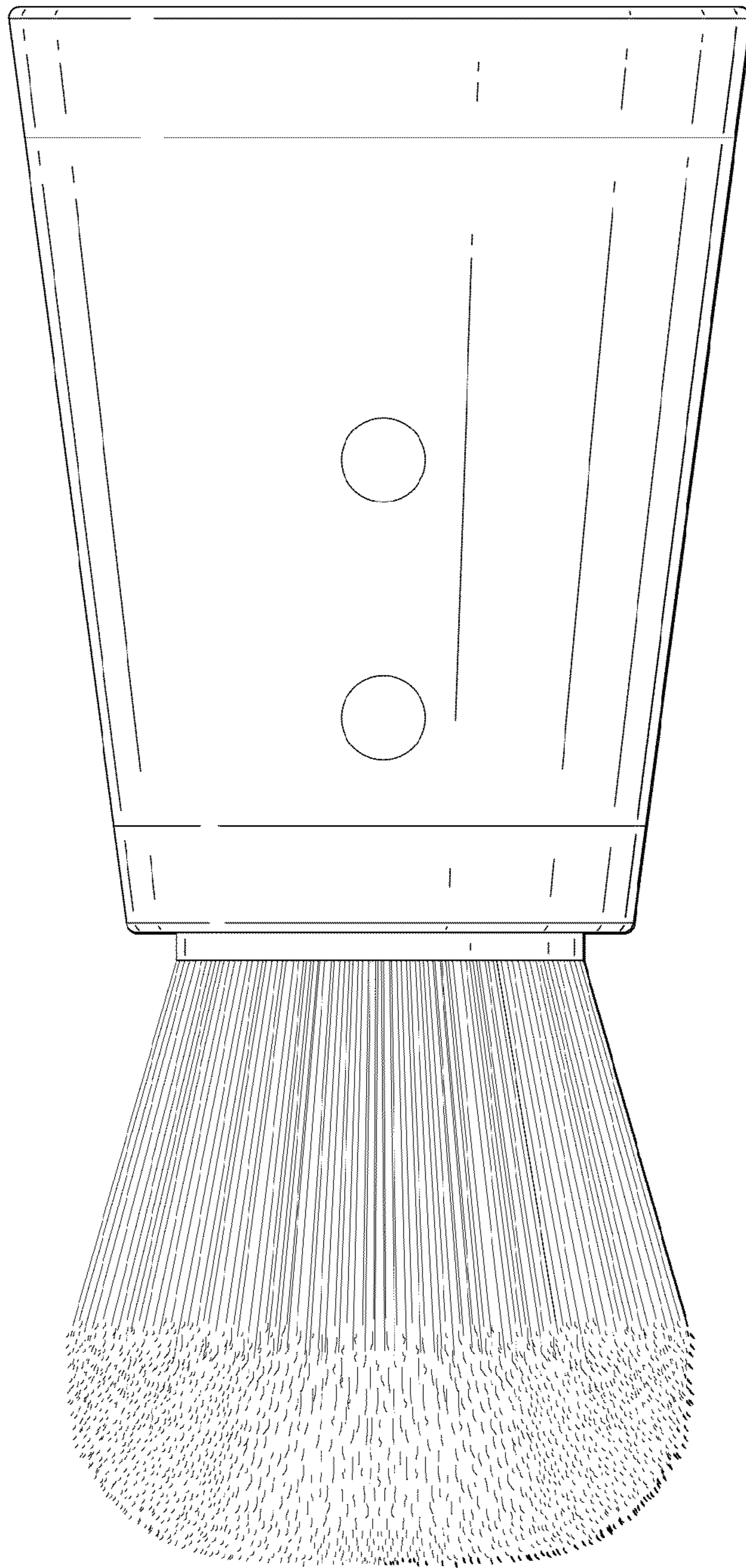


FIG. 4

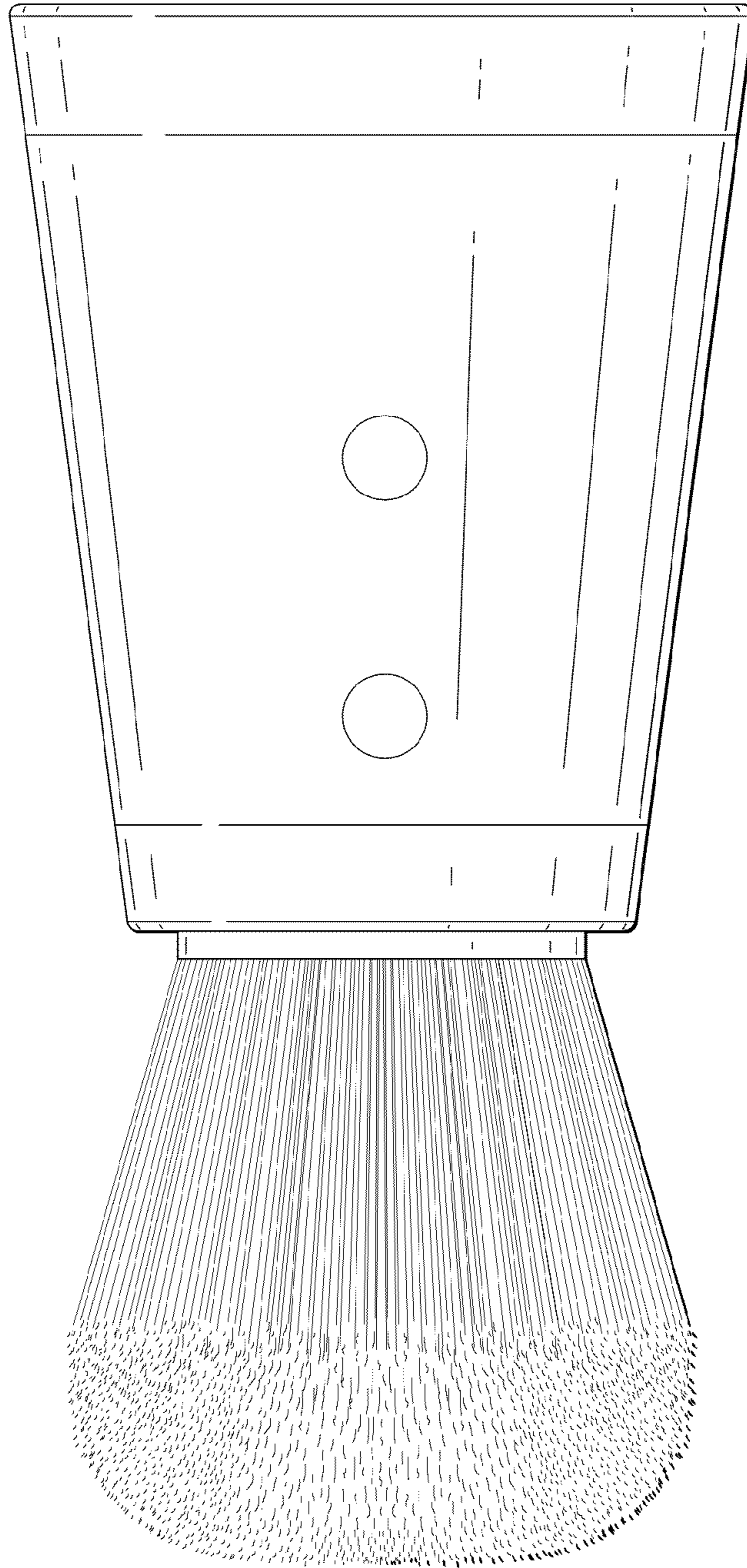


FIG. 5

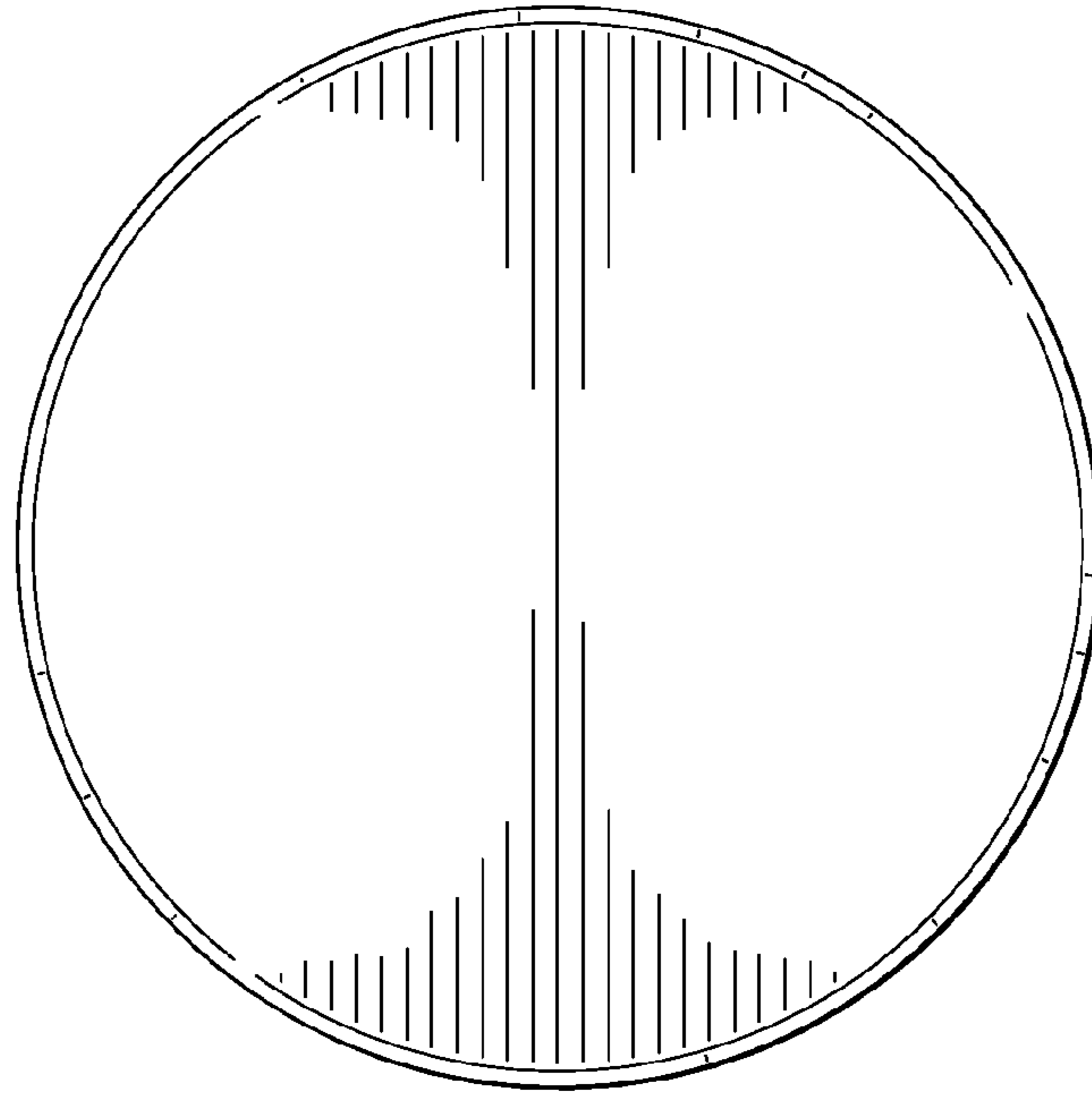


FIG. 6

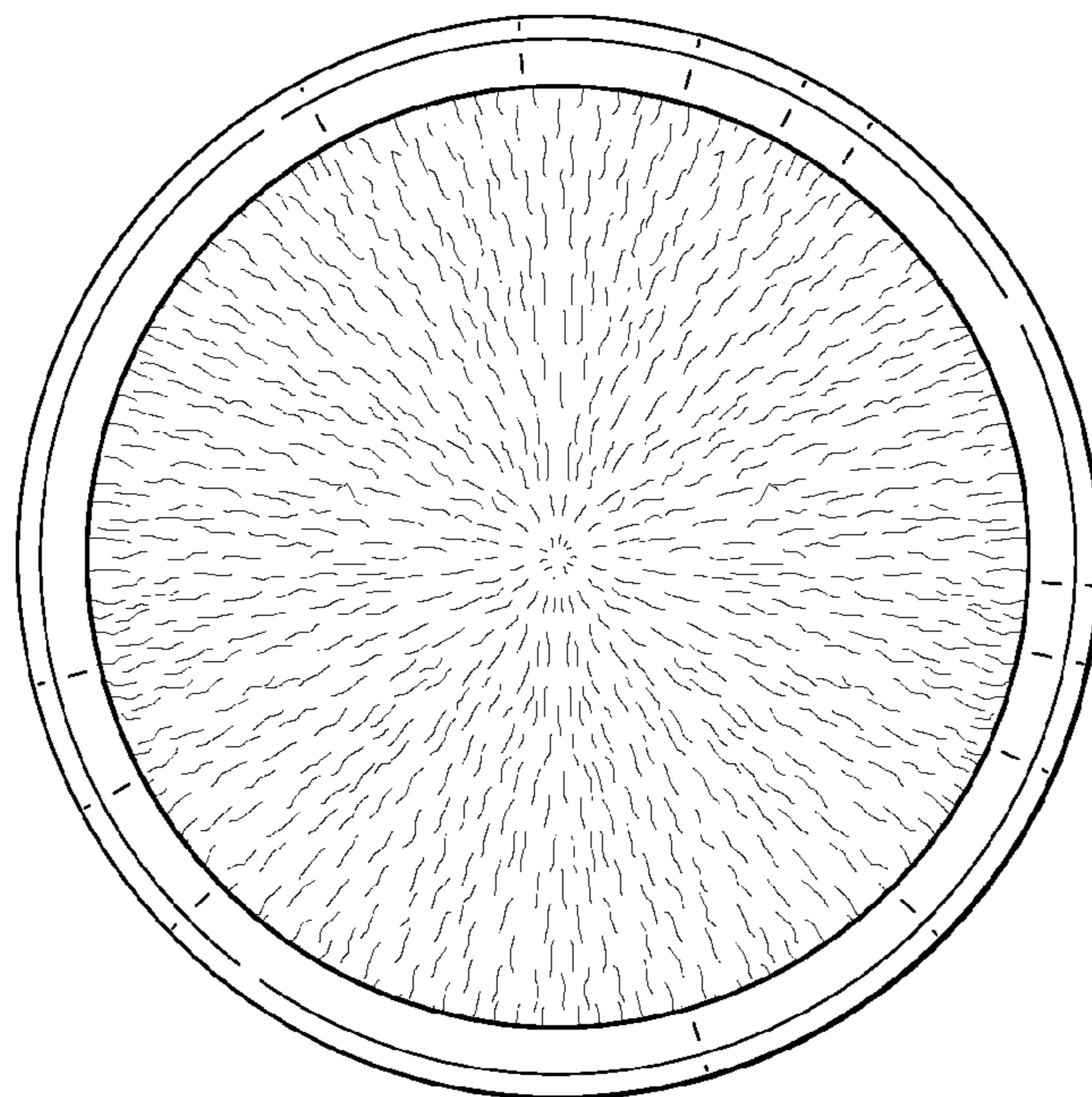


FIG. 7