



US00D677055S

(12) **United States Design Patent**
Nowicky et al.

(10) **Patent No.:** **US D677,055 S**
(45) **Date of Patent:** **** Mar. 5, 2013**

(54) **TRAY**

(75) Inventors: **David A. Nowicky**, Fairport, NY (US);
Eric Green, Penfield, NY (US)

(73) Assignee: **John D. Brush & Co., Inc.**, Rochester,
NY (US)

(**) Term: **14 Years**

(21) Appl. No.: **29/426,741**

(22) Filed: **Jul. 10, 2012**

(51) **LOC (9) Cl.** **03-01**

(52) **U.S. Cl.** **D3/304**

(58) **Field of Classification Search** D3/304-315,
D3/201, 203.1-203.3; D6/525; D19/75,
D19/77, 86, 90, 92, 100; 206/203, 214-215,
206/822, 307.1; 229/100, 913-914, 406

See application file for complete search history.

(56) **References Cited**

U.S. PATENT DOCUMENTS

D301,927 S *	6/1989	Williams, Jr.	D3/304
D304,638 S *	11/1989	Ireland	D3/304
D351,889 S *	10/1994	Buchanan	D21/803
D420,798 S *	2/2000	Belokin et al.	D3/304
D484,346 S *	12/2003	Shamoon	D6/574
D486,185 S *	2/2004	Sheldon et al.	D19/90
D538,539 S *	3/2007	Richardson et al.	D3/314

D550,482 S *	9/2007	Belokin et al.	D6/475
D577,914 S *	10/2008	Babic et al.	D6/567
D582,190 S *	12/2008	Valiulis et al.	D6/567
D583,562 S *	12/2008	Ghiorghie	D3/304
D587,947 S *	3/2009	Valiulis et al.	D6/553
D589,728 S *	4/2009	Shaha et al.	D6/510
D600,017 S *	9/2009	Christie	D3/304
D606,314 S *	12/2009	Neilsen	D3/313
D608,574 S *	1/2010	Goodman et al.	D6/513
D640,489 S *	6/2011	Tuholski	D6/574
D649,192 S *	11/2011	Beukema et al.	D19/75
D650,987 S *	12/2011	Rothbauer	D3/215
D666,829 S *	9/2012	Liao	D3/304
2009/0084786 A1 *	4/2009	Claypool et al.	220/254.9

* cited by examiner

Primary Examiner — Kelley Donnelly

(74) *Attorney, Agent, or Firm* — Woods Oviatt Gilman LLP

(57) **CLAIM**

The ornamental design for a tray, as shown and described.

DESCRIPTION

FIG. 1 is a right front perspective view of a tray showing our design;

FIG. 2 is a bottom view thereof;

FIG. 3 is a front view thereof;

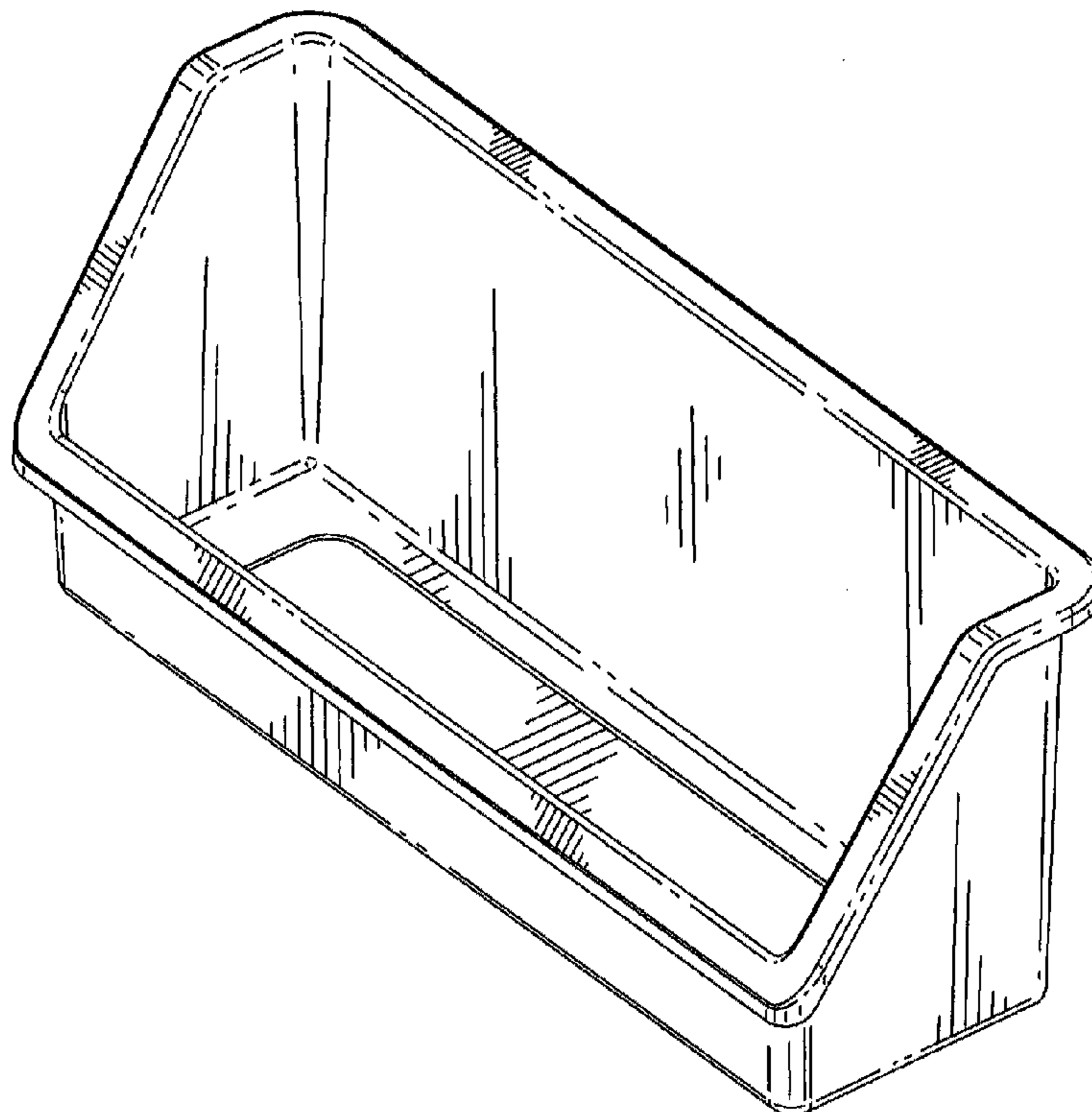
FIG. 4 is a top view thereof;

FIG. 5 is a left side view thereof;

FIG. 6 is a right side view thereof; and,

FIG. 7 is a back view thereof.

1 Claim, 3 Drawing Sheets



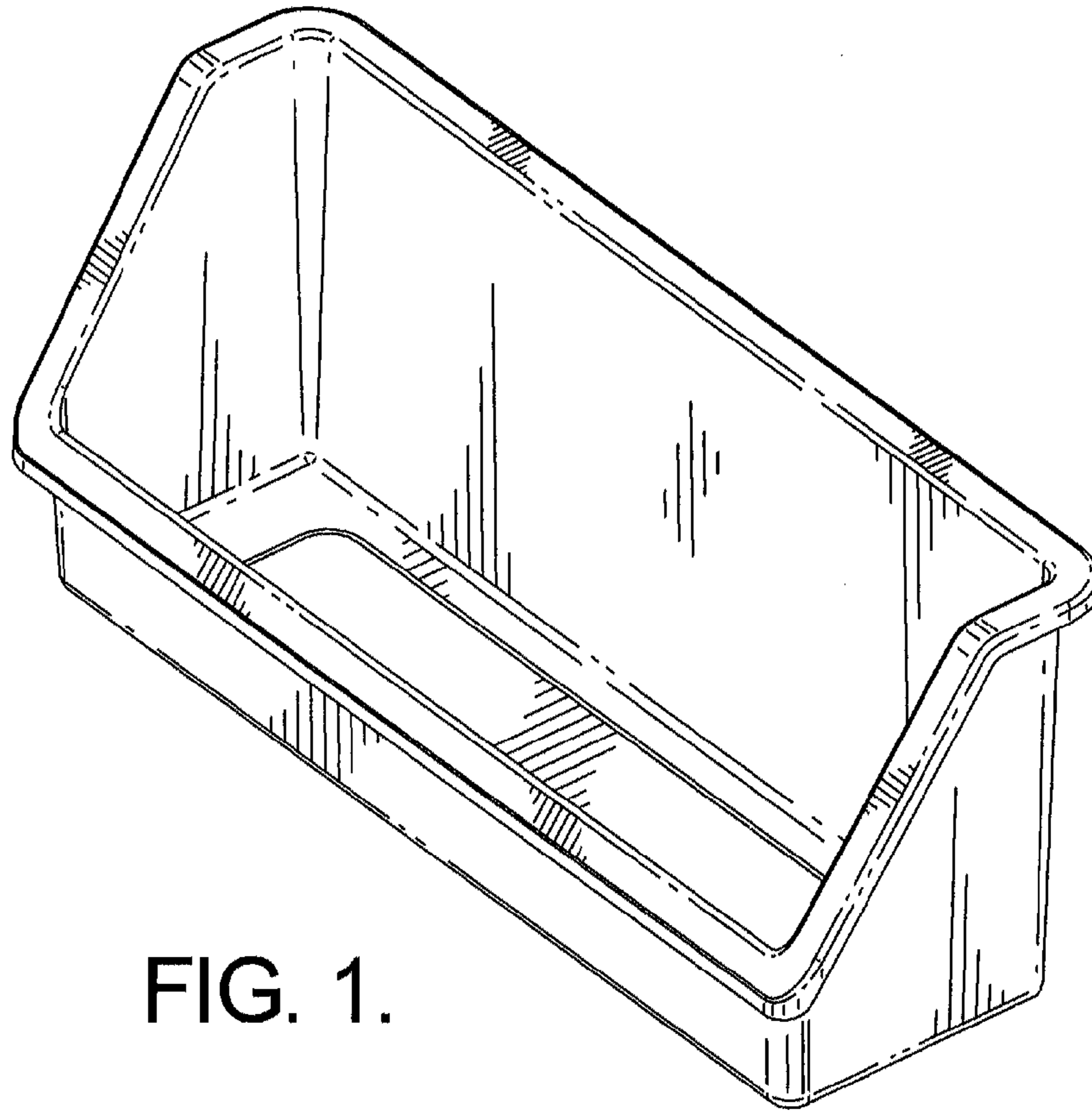


FIG. 1.

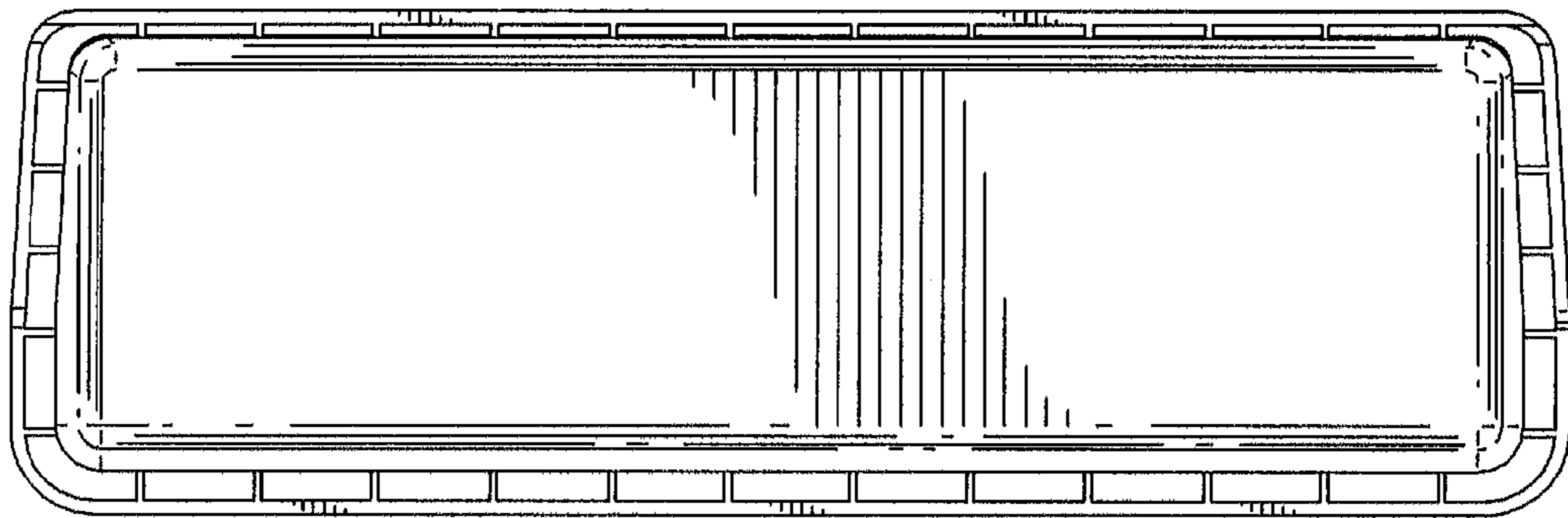


FIG. 2.

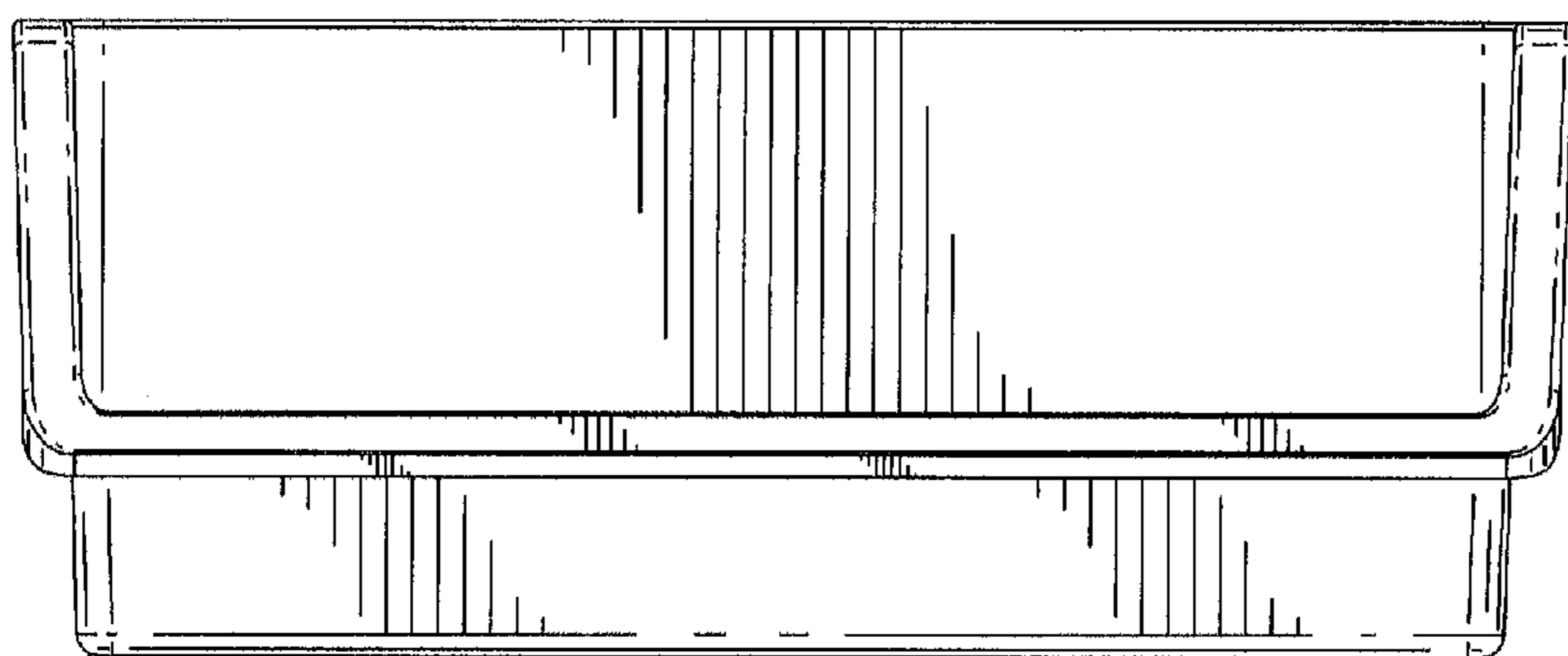


FIG. 3.

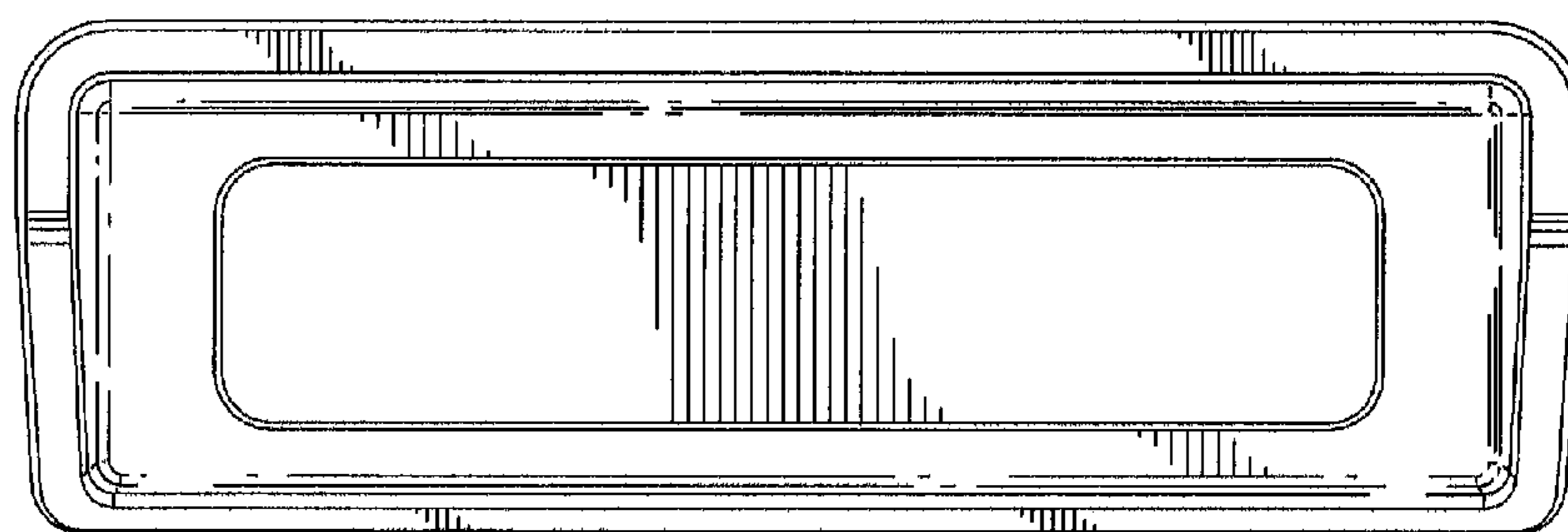


FIG. 4.

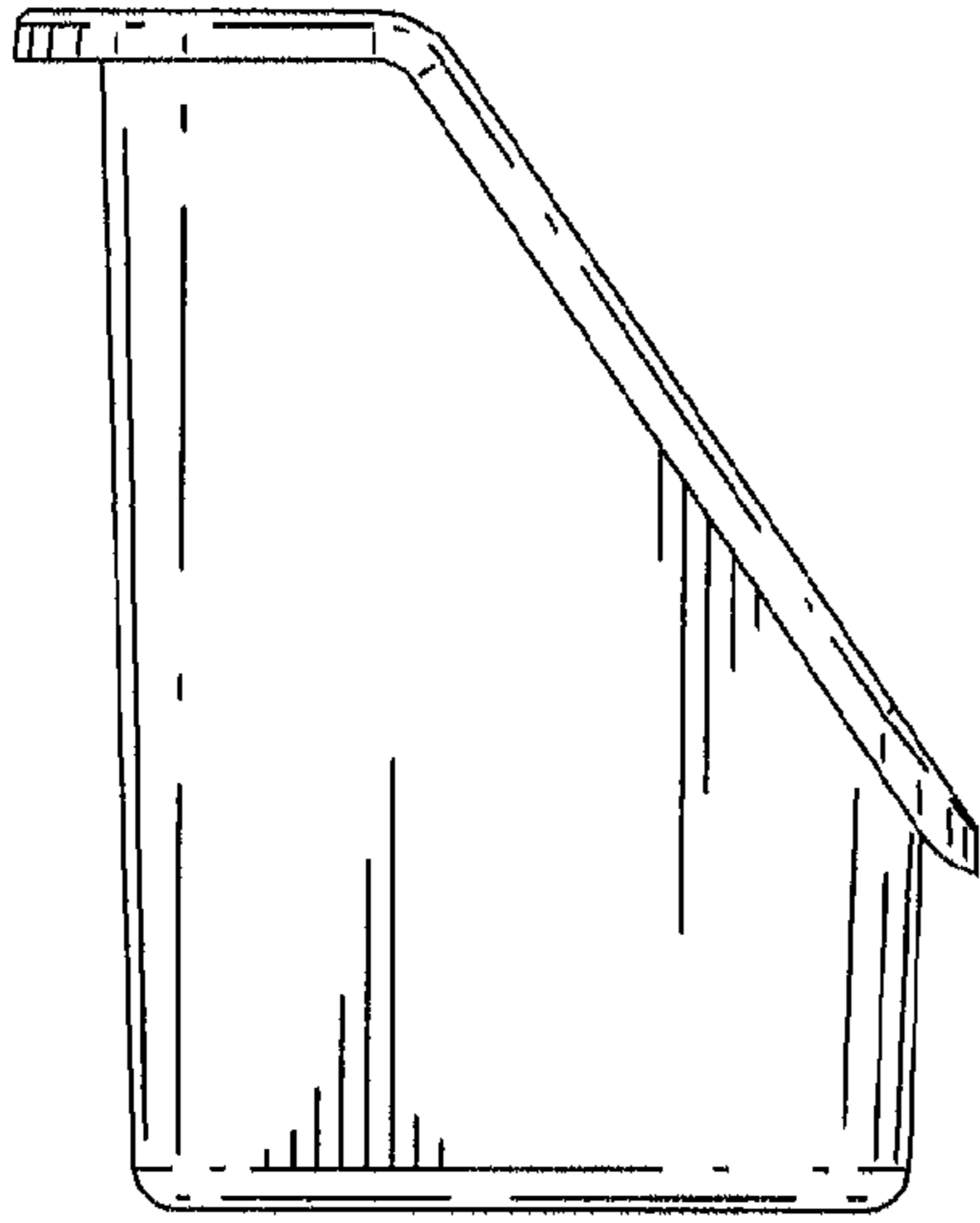


FIG. 5.

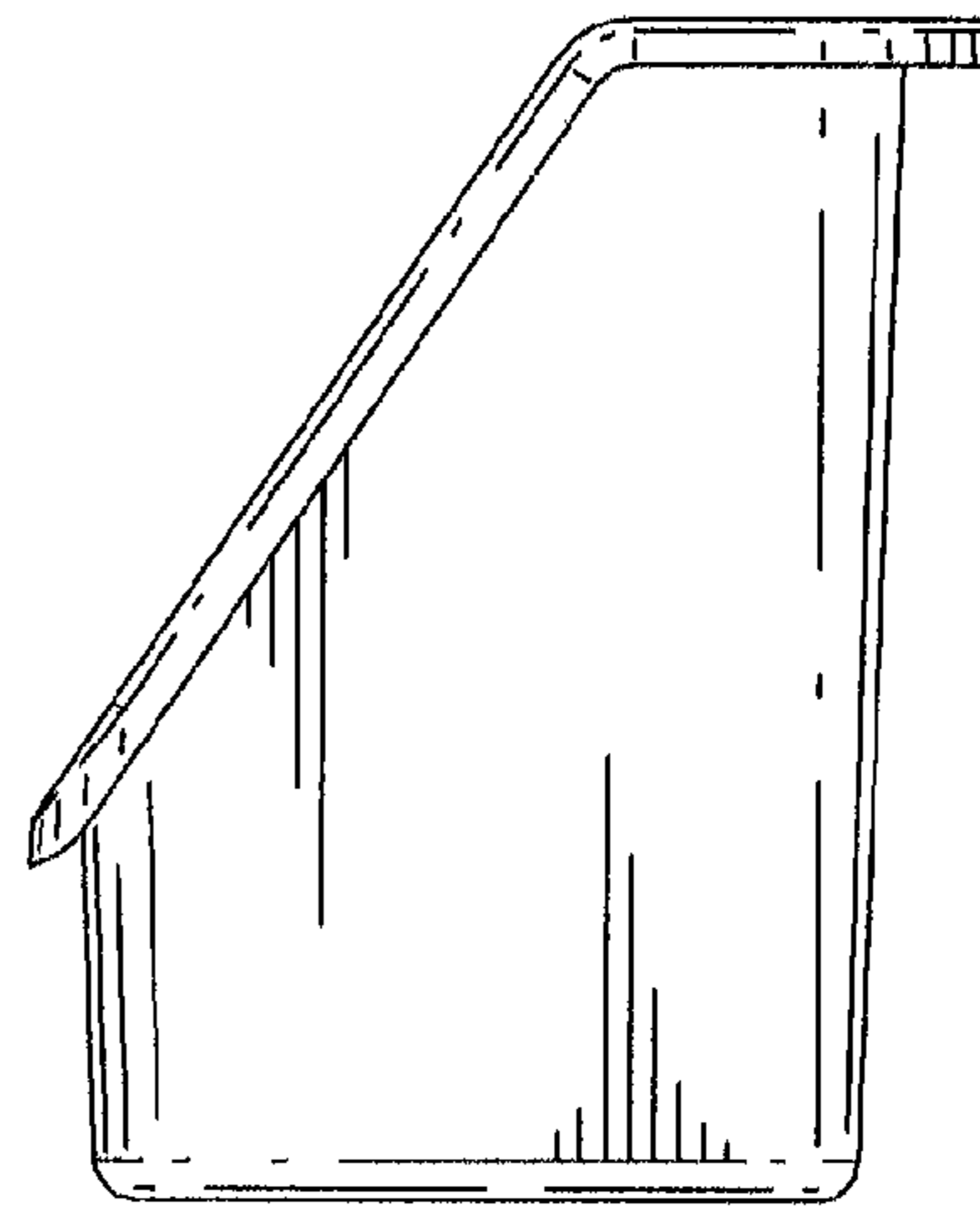


FIG. 6.

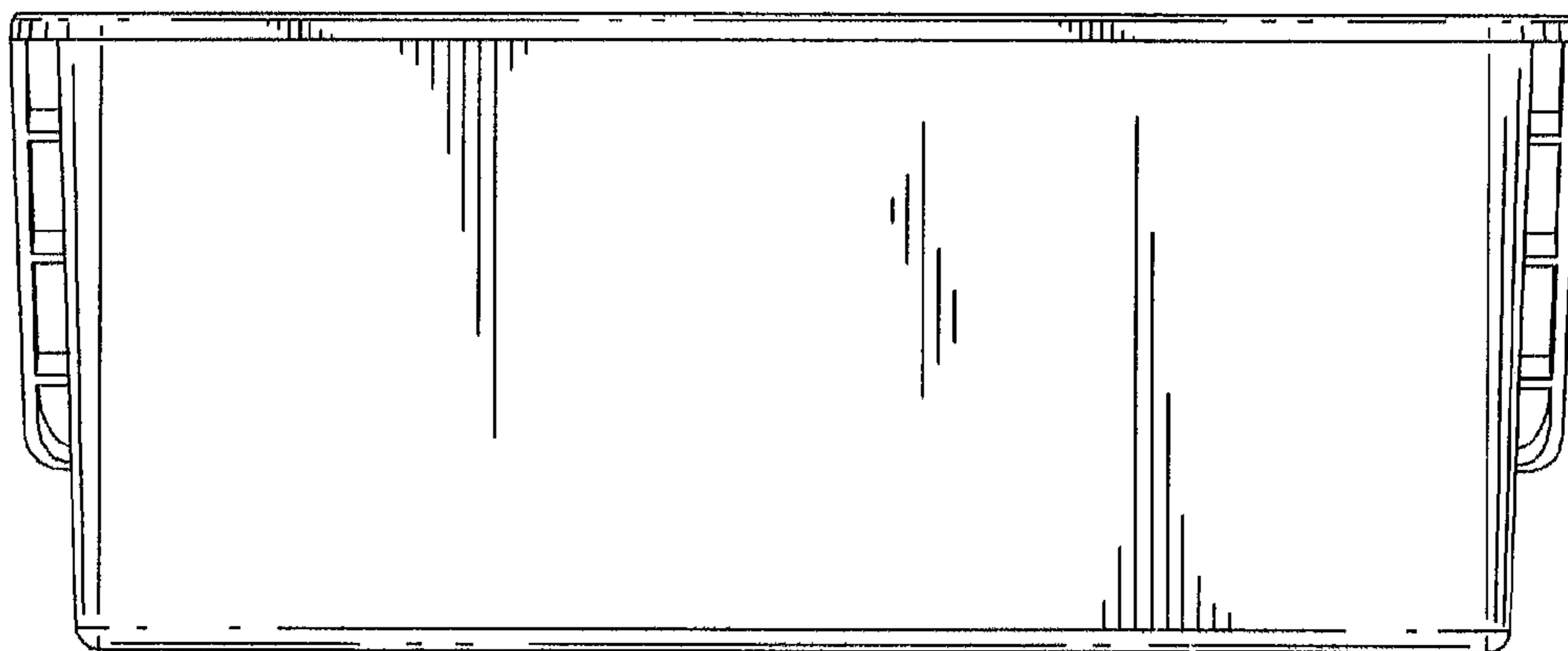


FIG. 7.