



US00D677052S

(12) **United States Design Patent**
Eisenhardt

(10) **Patent No.:** **US D677,052 S**
(45) **Date of Patent:** **** Mar. 5, 2013**

(54) **CASE WITH A COMPARTMENT**

(75) Inventor: **Geoffrey Lawrence Eisenhardt**, Long Beach, CA (US)

(73) Assignee: **Misaine Trade, Inc.**, Torrance, CA (US)

(**) Term: **14 Years**

(21) Appl. No.: **29/399,607**

(22) Filed: **Aug. 16, 2011**

(51) **LOC (9) Cl.** **03-01**

(52) **U.S. Cl.** **D3/298**

(58) **Field of Classification Search** D3/298;
206/278, 457, 555, 1.5, 235, 265

See application file for complete search history.

(56) **References Cited**

U.S. PATENT DOCUMENTS

889,568	A *	6/1908	Albrecht	206/1.5
3,888,350	A *	6/1975	Horvath	206/531
4,538,731	A *	9/1985	Cillario	206/540
5,305,874	A *	4/1994	McLaughlin	206/37
D509,656	S *	9/2005	Pangerc et al.	D3/294
D592,528	S *	5/2009	Short et al.	D9/730

* cited by examiner

Primary Examiner — Holly Baynham

(74) *Attorney, Agent, or Firm* — Knobbe, Martens, Olson & Bear LLP

(57) **CLAIM**

The ornamental design for a case with a compartment, as shown and described herein.

DESCRIPTION

FIG. 1 is a perspective view of a first embodiment of a case with a compartment in a closed position.

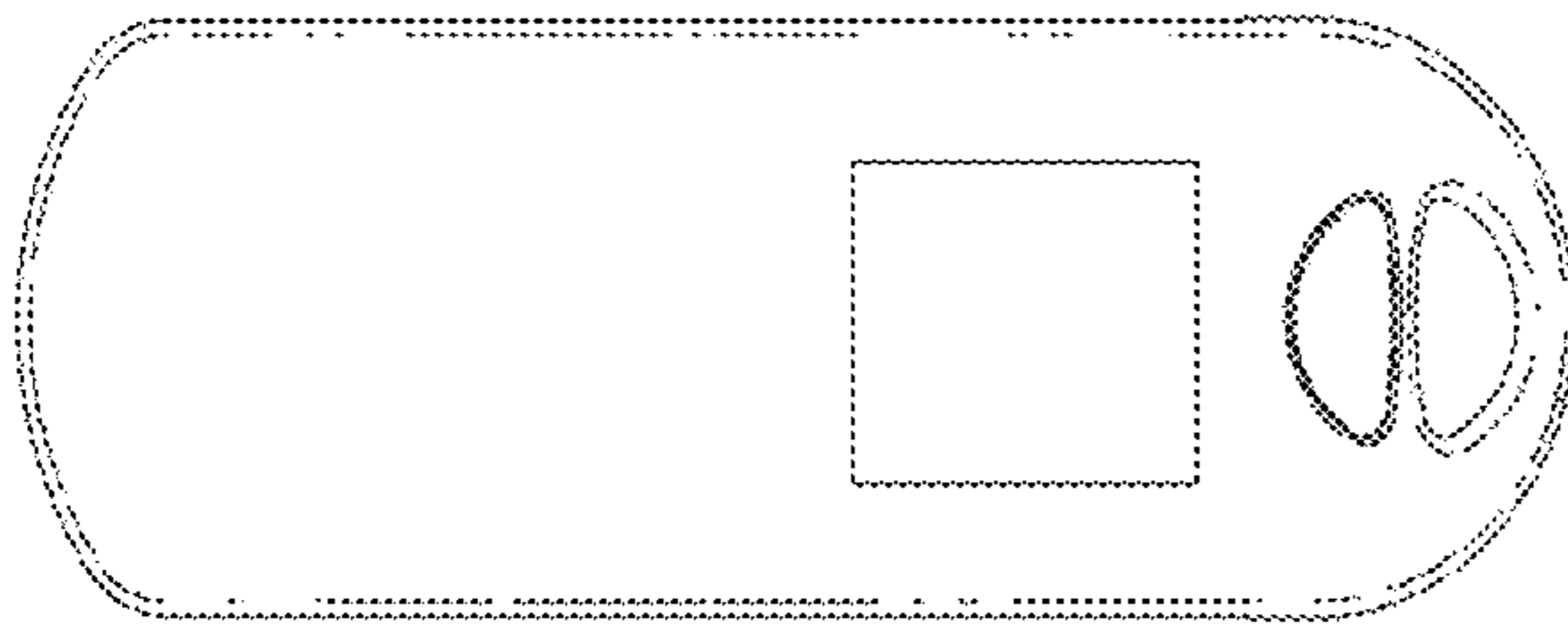


FIG. 2 is a cross-sectional side view of a section of the case shown in FIG. 1, wherein the cross-section is taken along line 2-2.

FIG. 3 is a perspective view of a case with a compartment in an opened position.

FIG. 4 is an exploded perspective view of a case with a compartment.

FIG. 5 is a top view of a case with a compartment in a closed position.

FIG. 6 is a top view of a second embodiment of the design shown in FIG. 1 and shown in a closed position.

FIG. 7 is a bottom view of a case with a compartment in a closed position.

FIG. 8 is a side view of a case with a compartment in a closed position.

FIG. 9 is a back view of a case with a compartment in a closed position.

FIG. 10 is a front view of a case with a compartment in a closed position.

FIG. 11 is a perspective view the compartment.

FIG. 12 is a top view the compartment.

FIG. 13 is a bottom view the compartment.

FIG. 14 is a side view of the compartment.

FIG. 15 is a front view of the compartment; and,

FIG. 16 is a back view of the compartment.

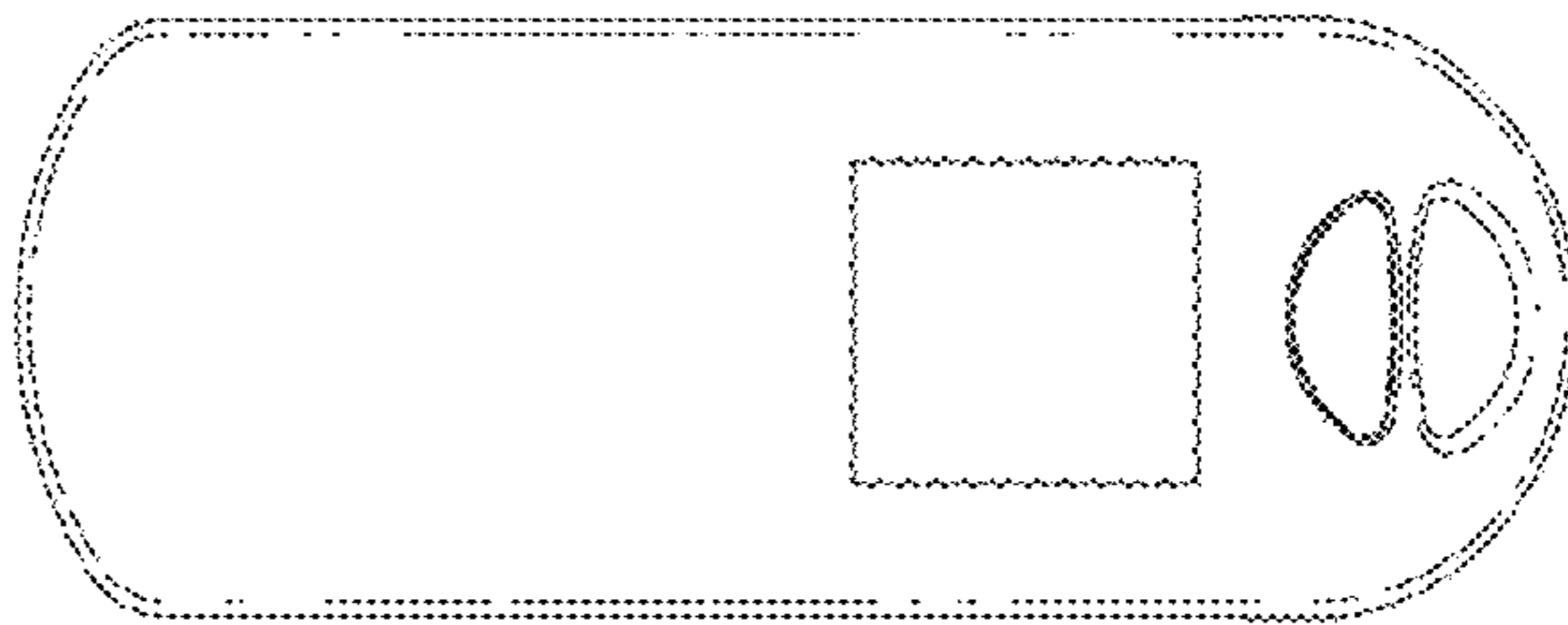
Only one side view has been provided because the left and right side views are identical.

The undisclosed views of the second embodiment of FIG. 6 are the same as those associated with the first embodiment of FIG. 5.

The broken line showing portions of a case is included for the purpose of illustrating environmental structure and forms no part of the claimed design.

The views of FIGS. 7-16 represent views of the first and second embodiments. The views of FIGS. 1, 3-5 are the same for the second embodiment except for the rippled pattern on the perimeter of the opening.

1 Claim, 11 Drawing Sheets



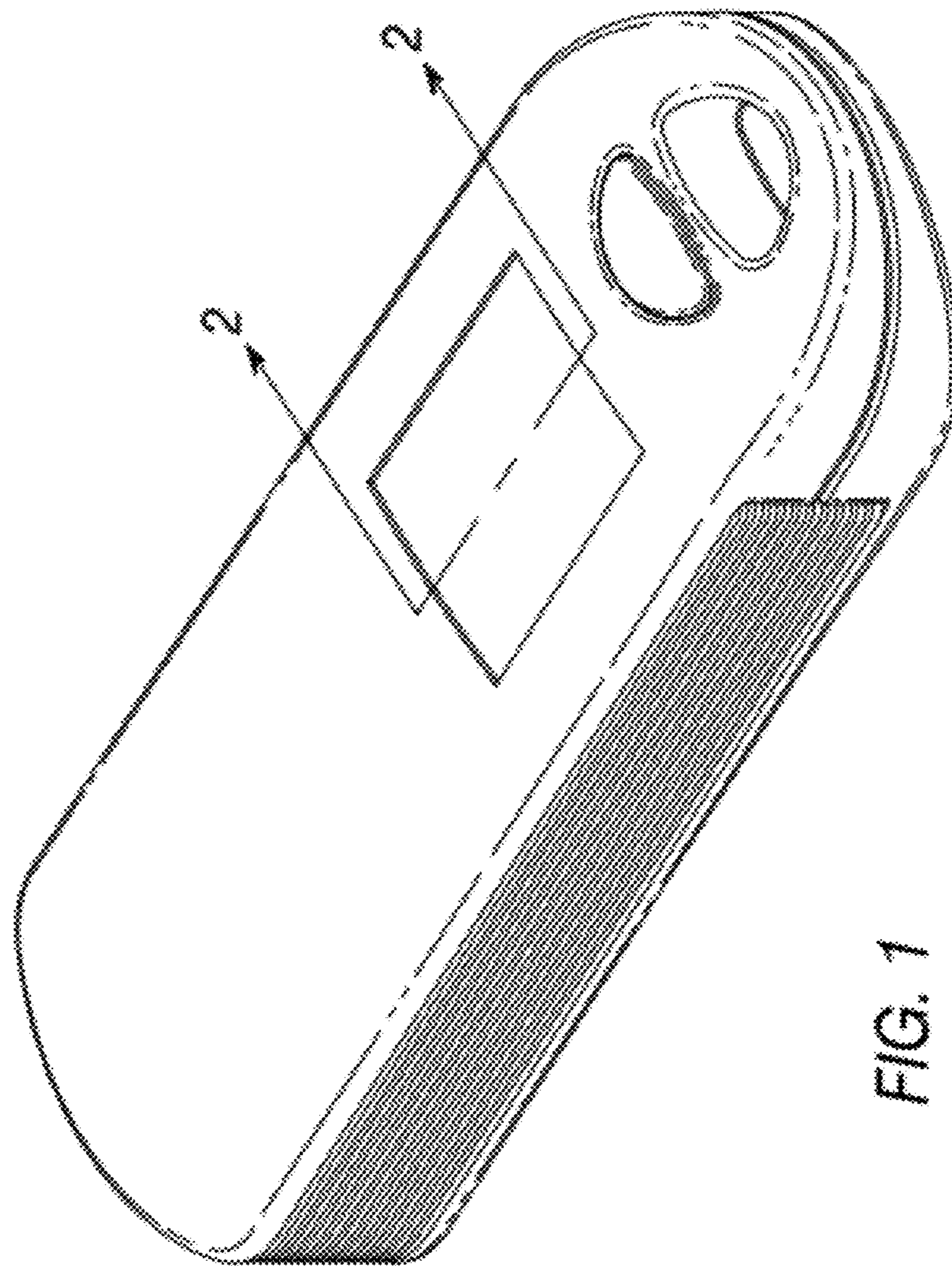


FIG. 1

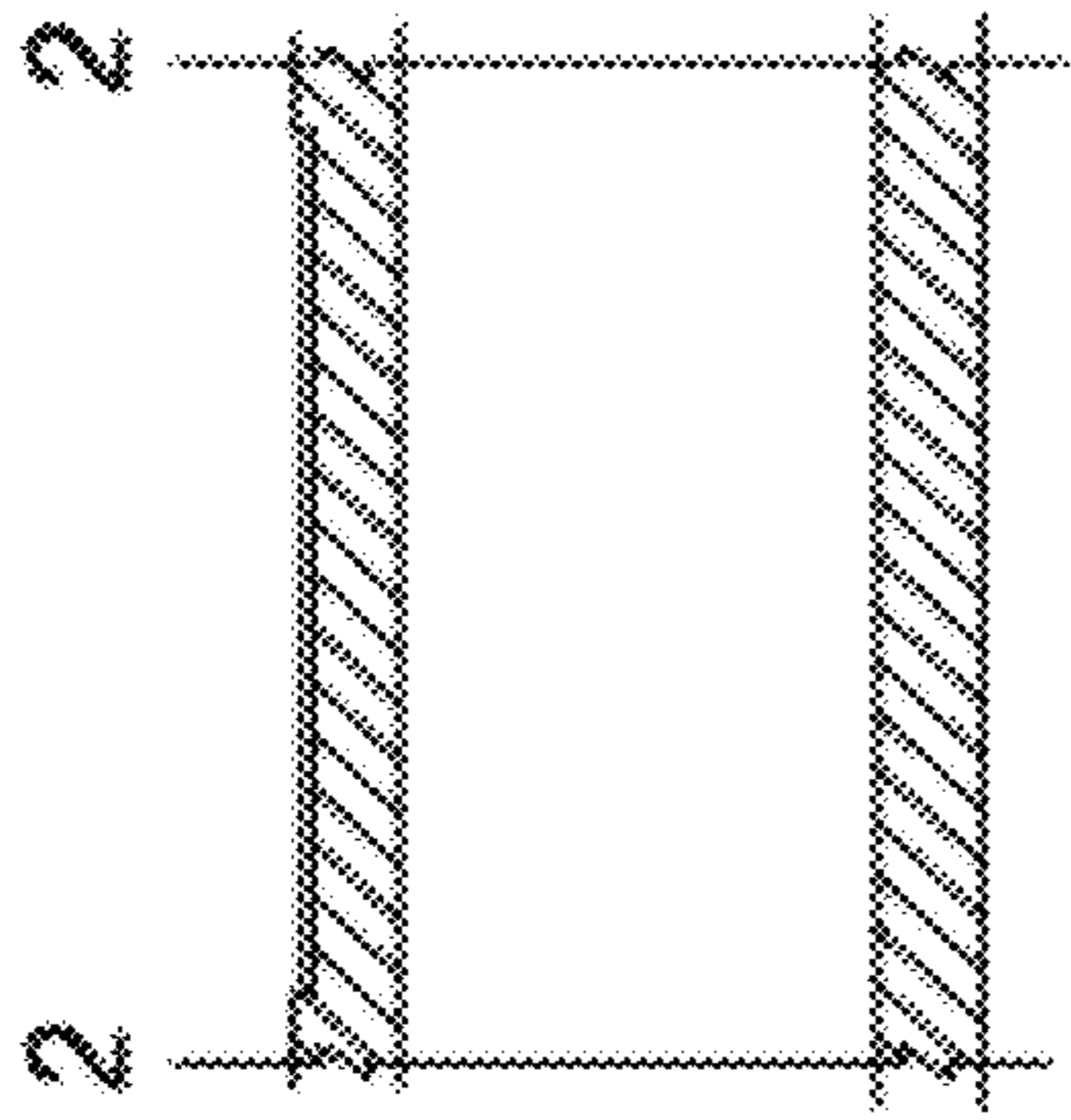


FIG. 2

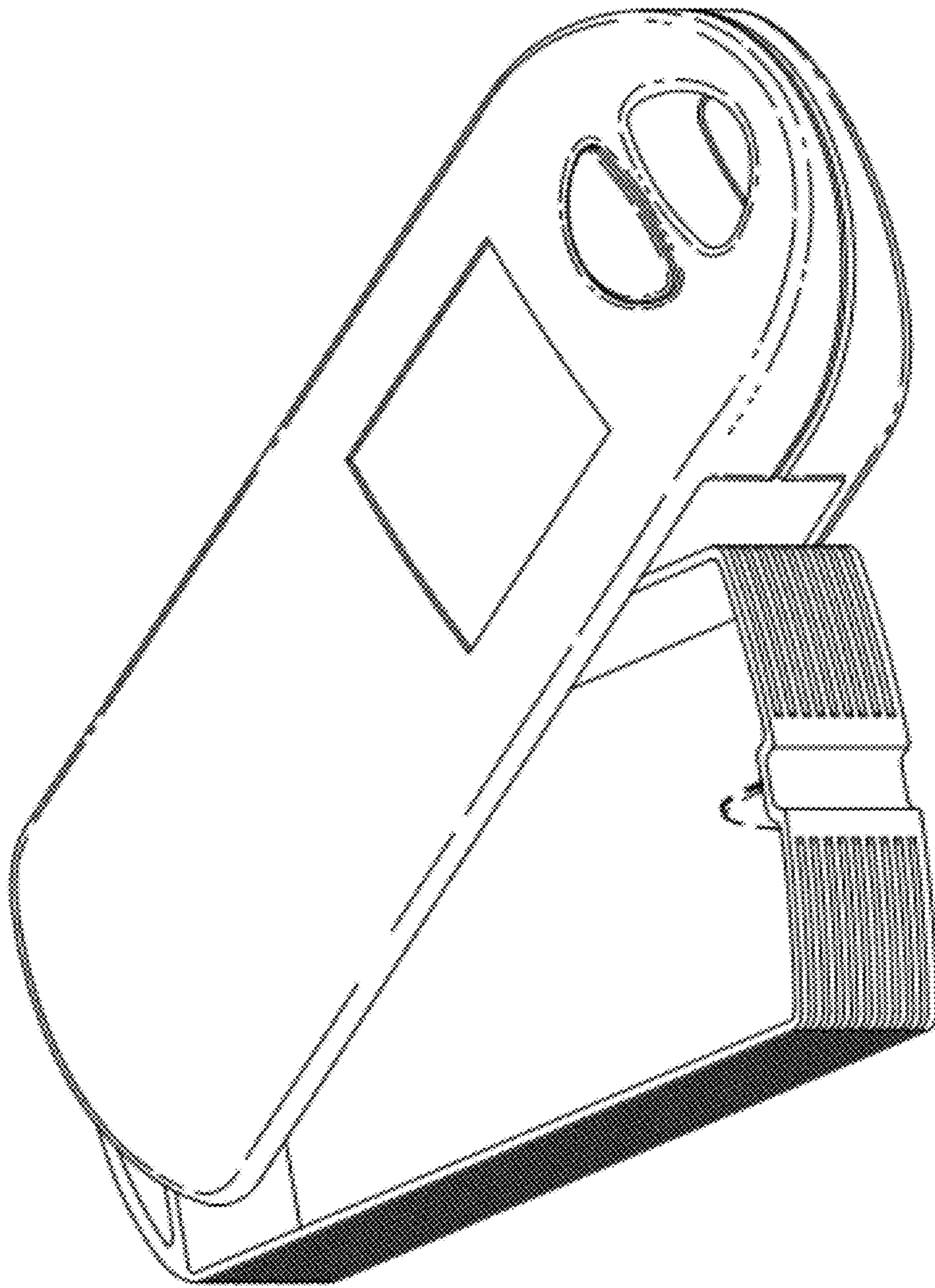


FIG. 3

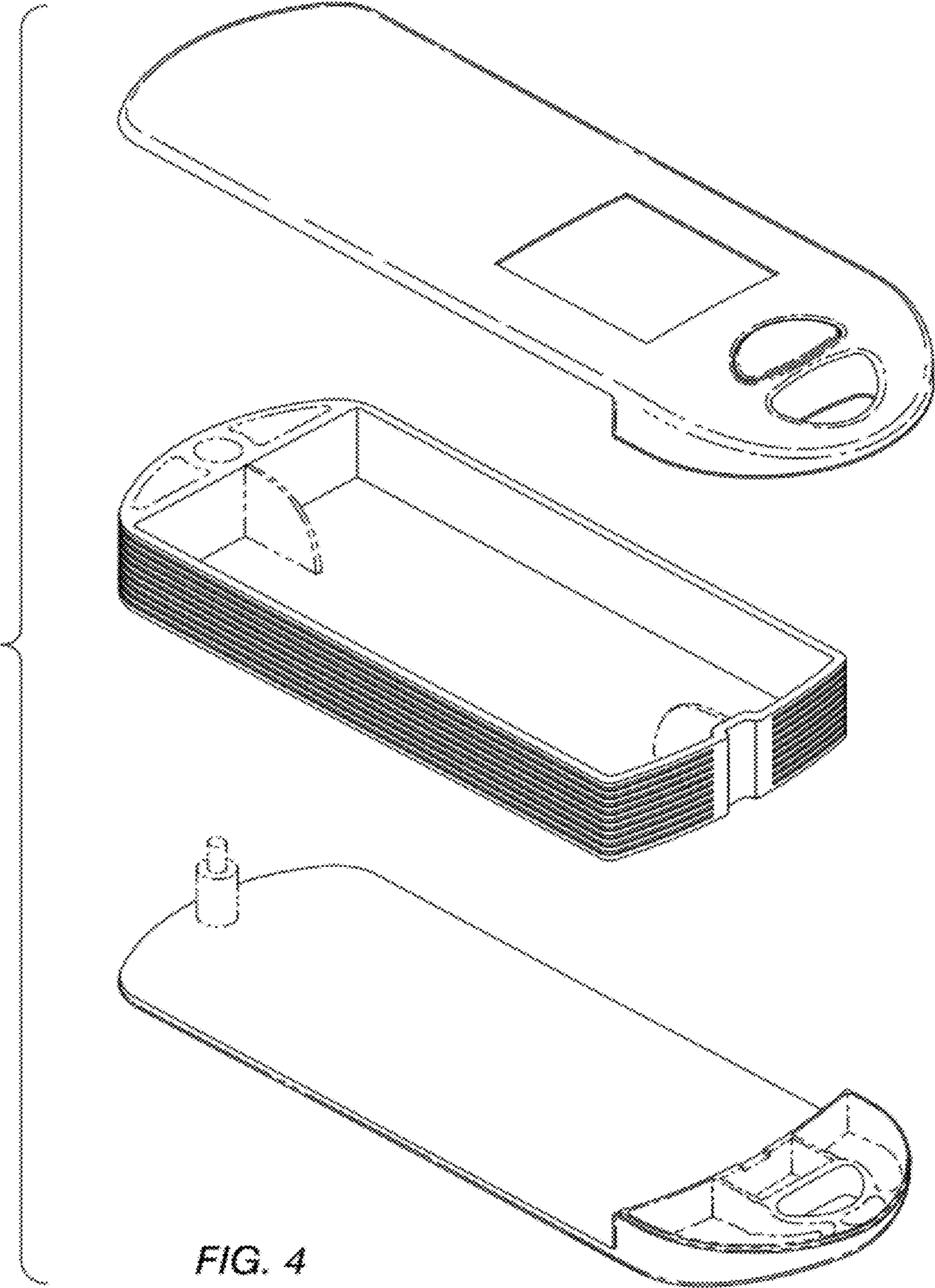


FIG. 4

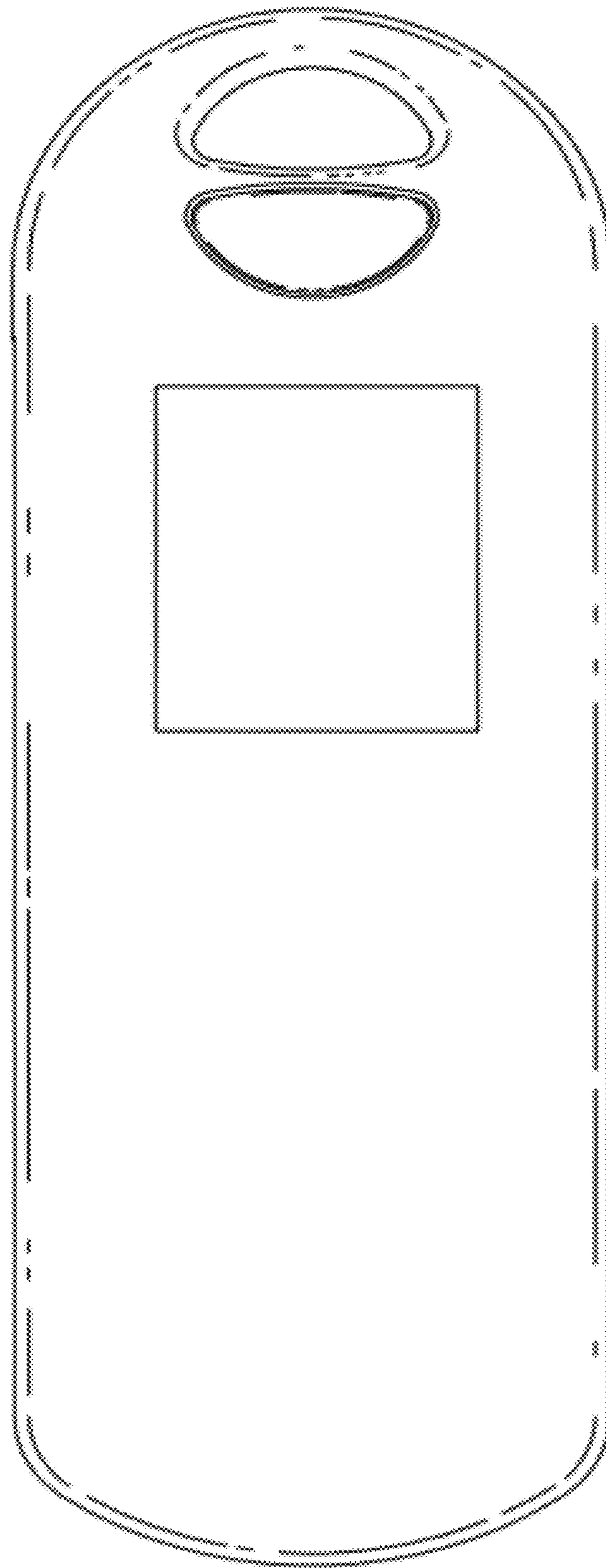


FIG. 5

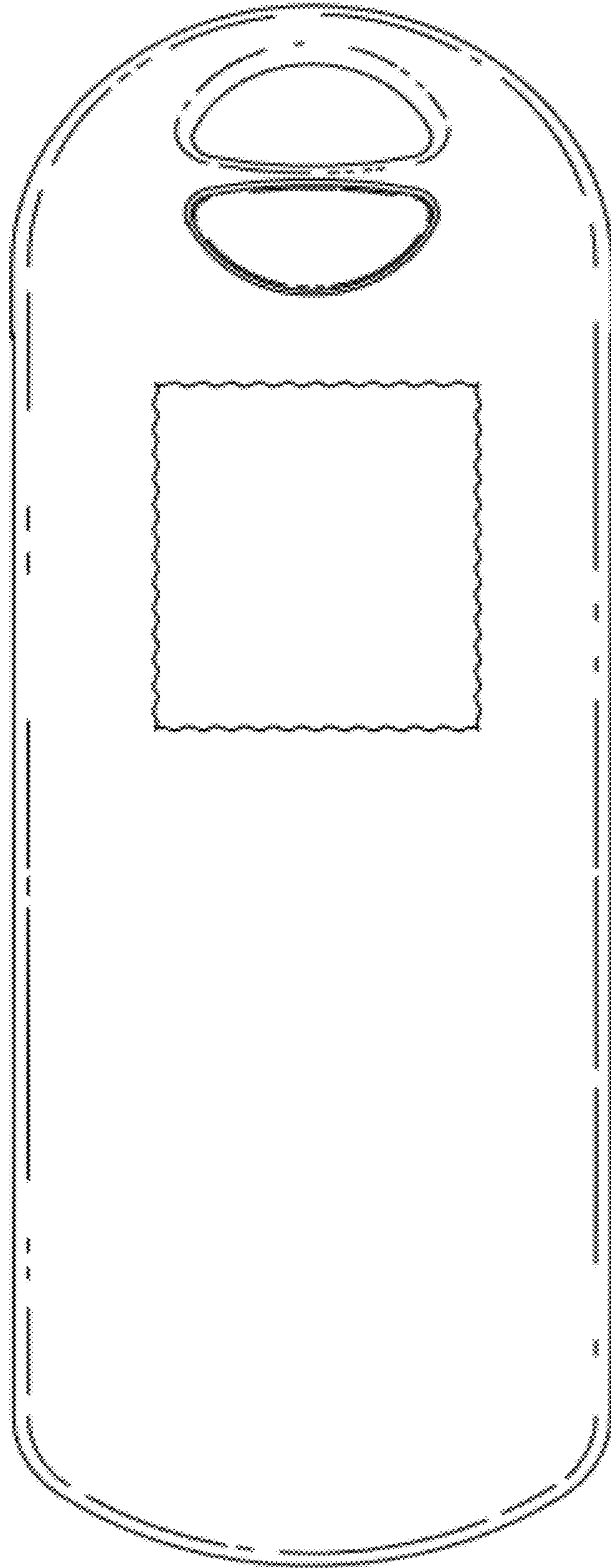


FIG. 6

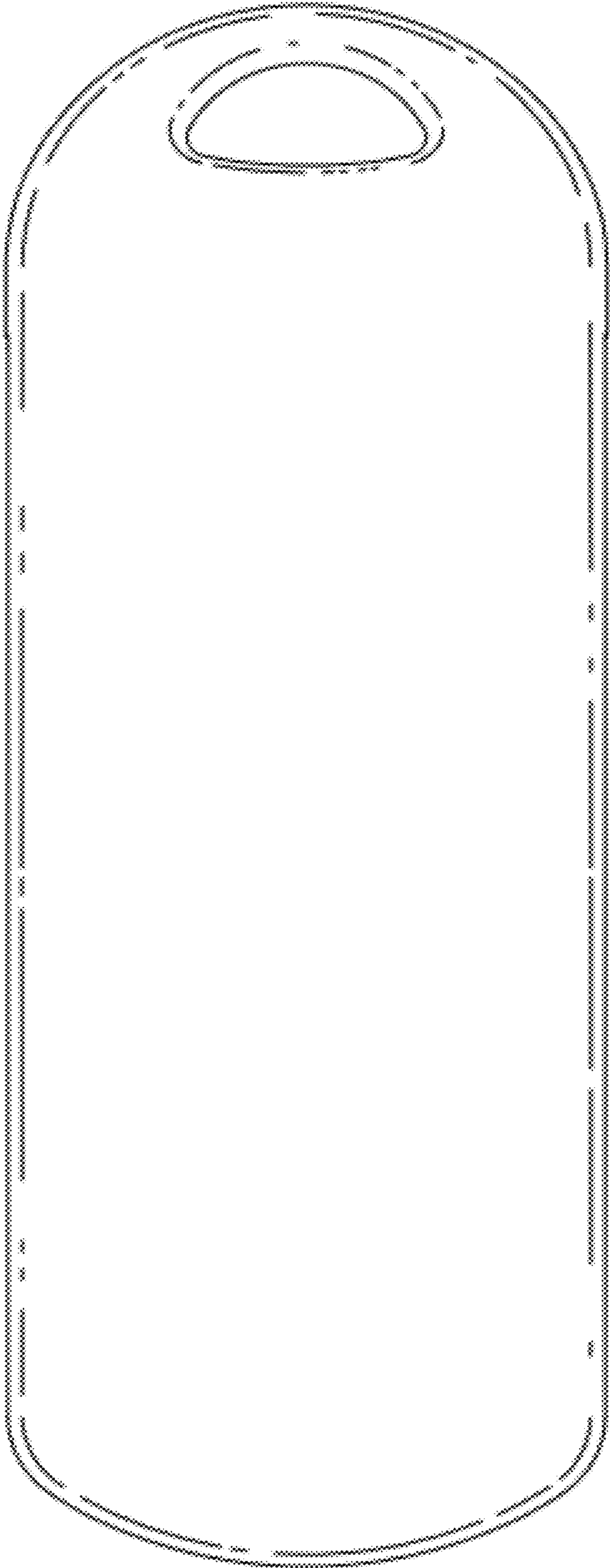


FIG. 7

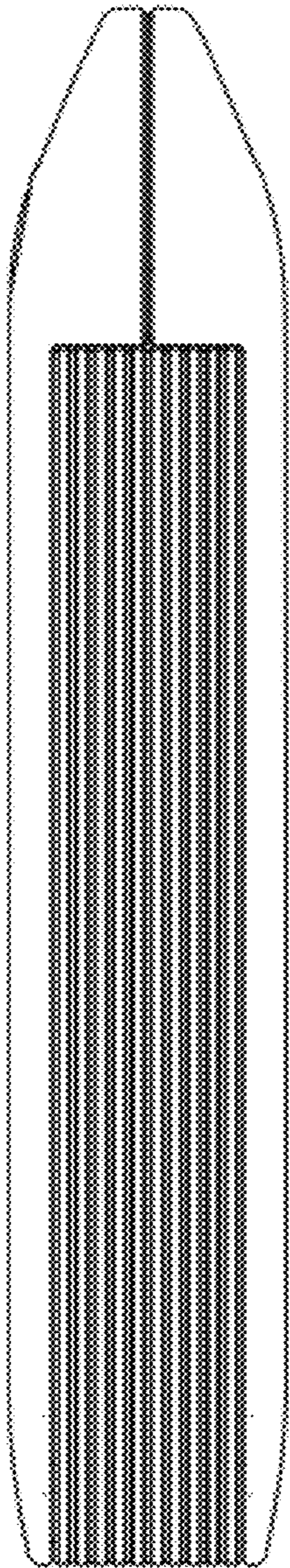


FIG. 8

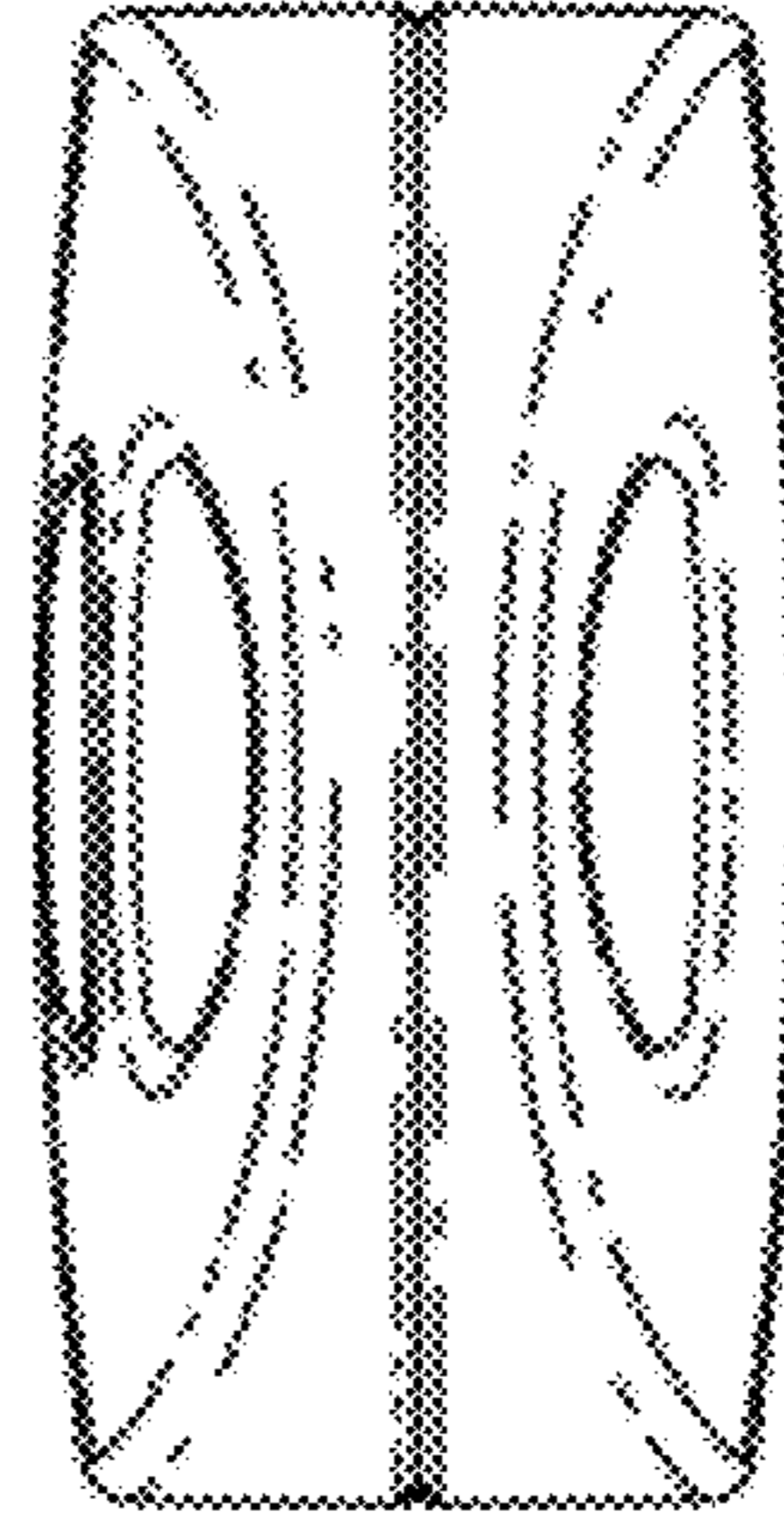


FIG. 10

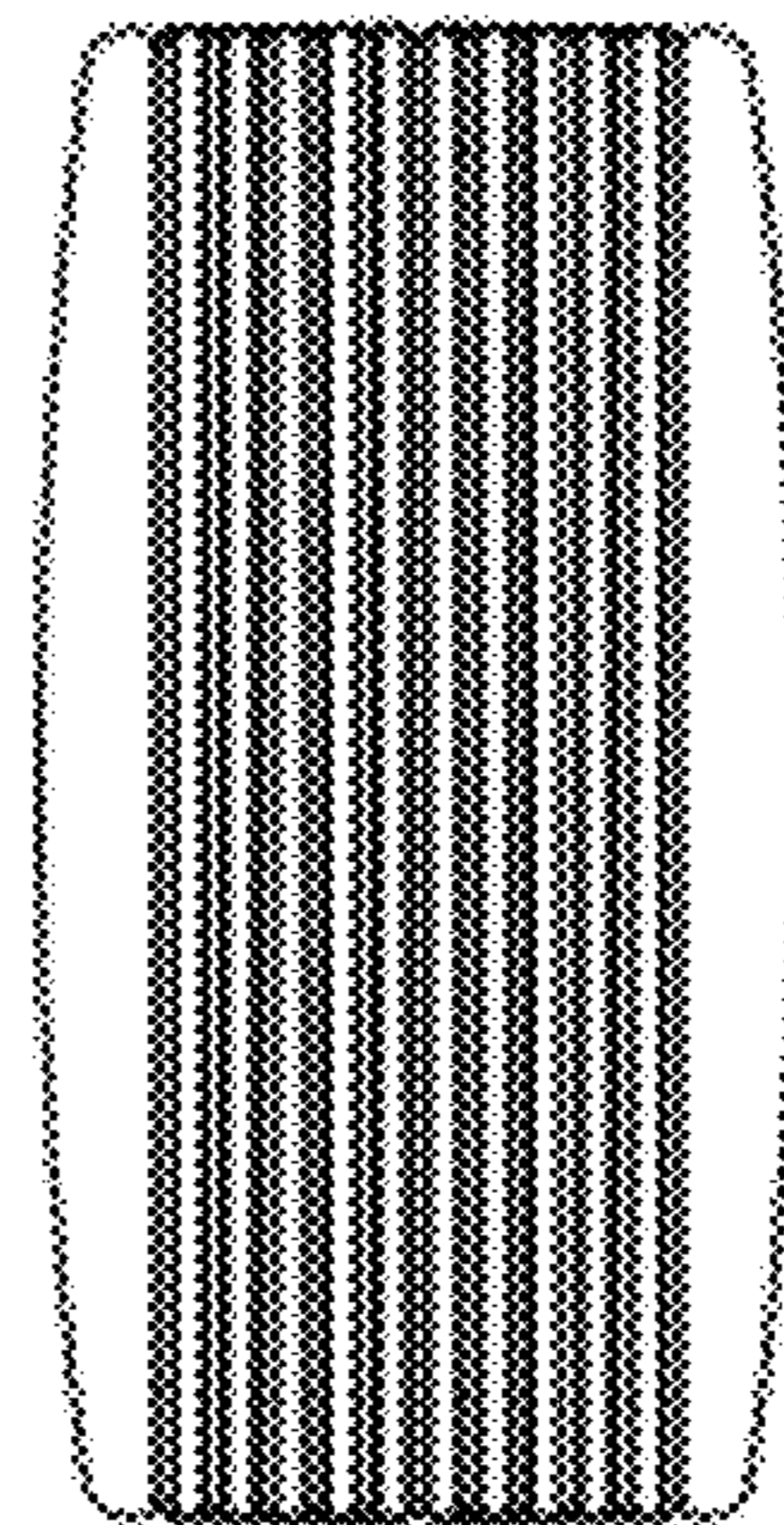


FIG. 9

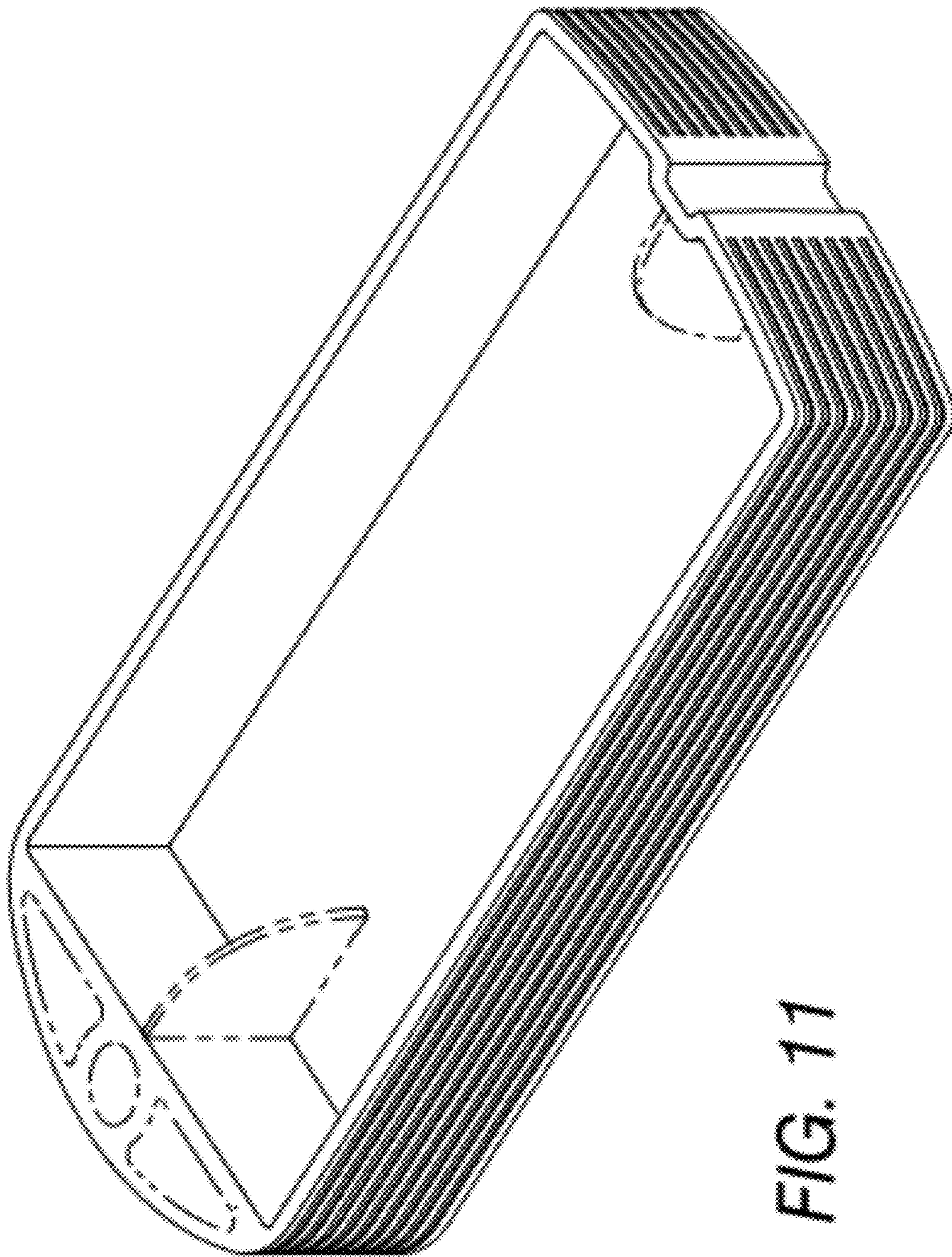


FIG. 11

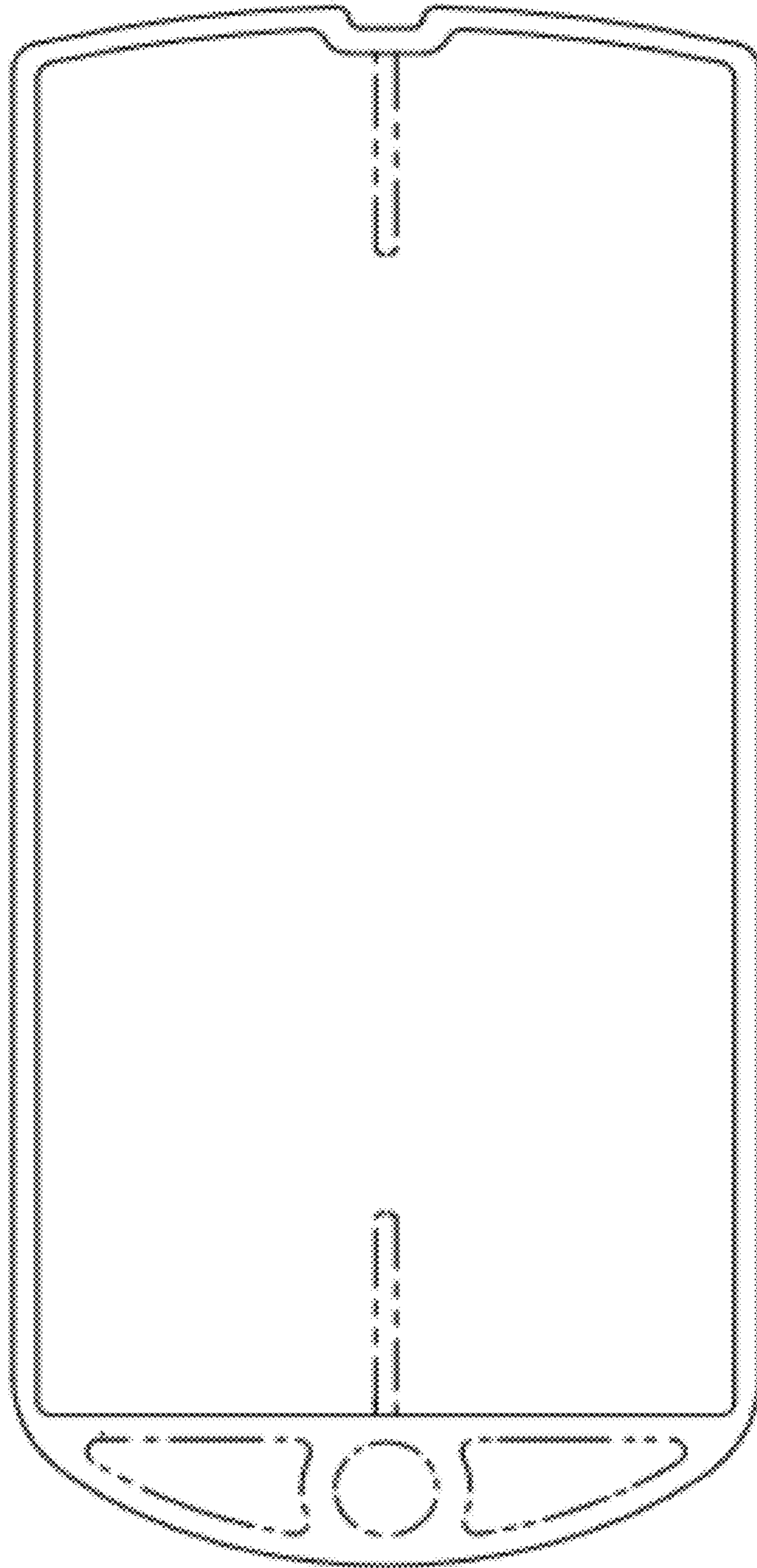


FIG. 12

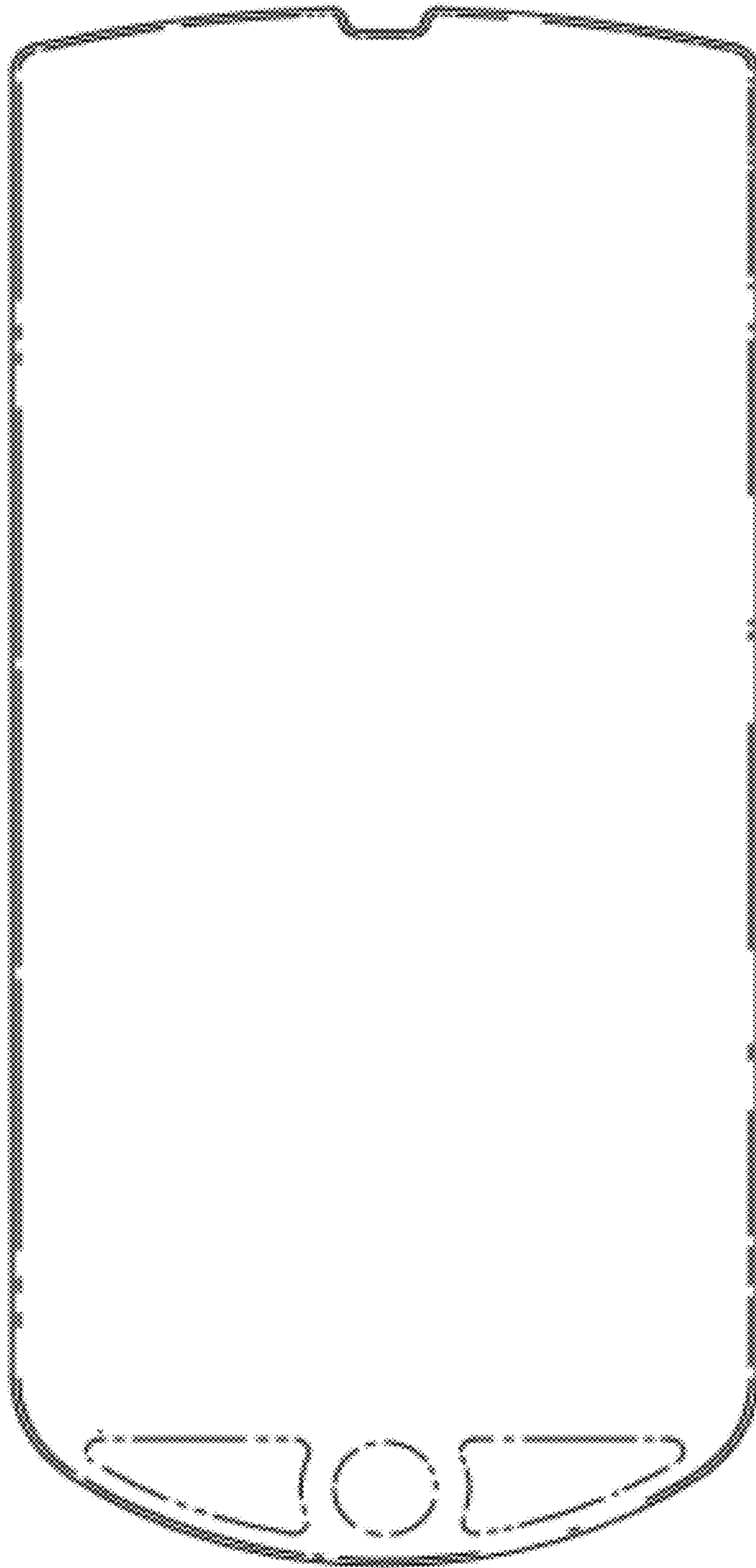


FIG. 13

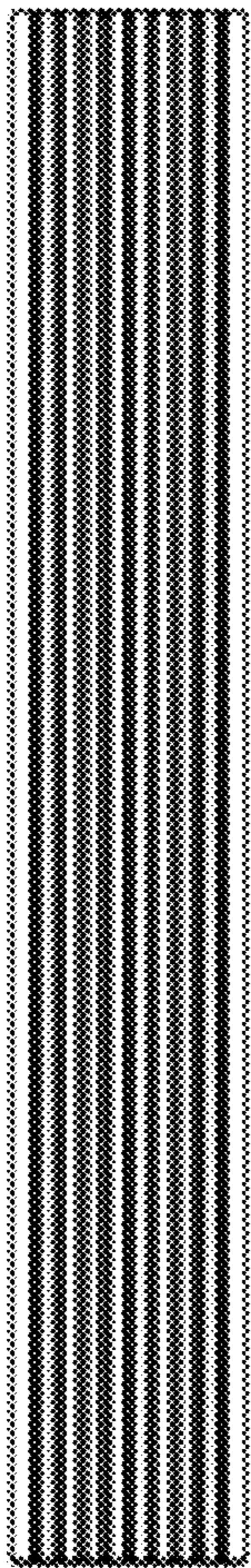


FIG. 14

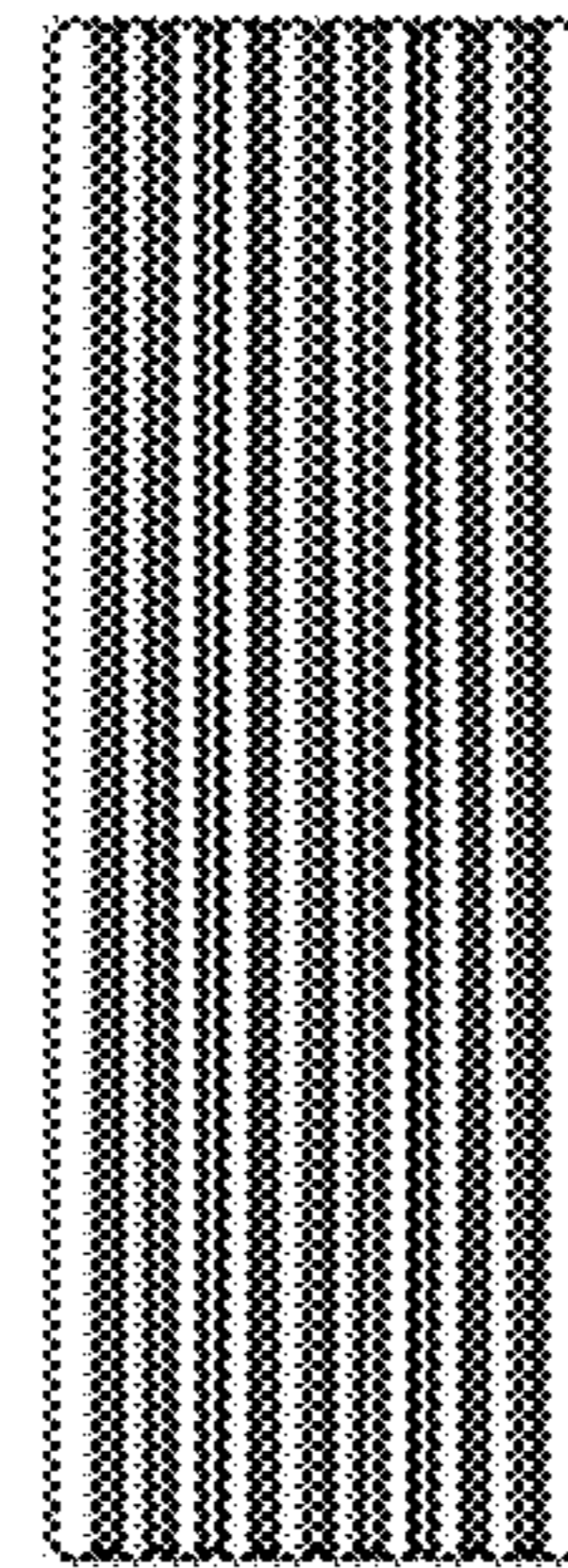


FIG. 16

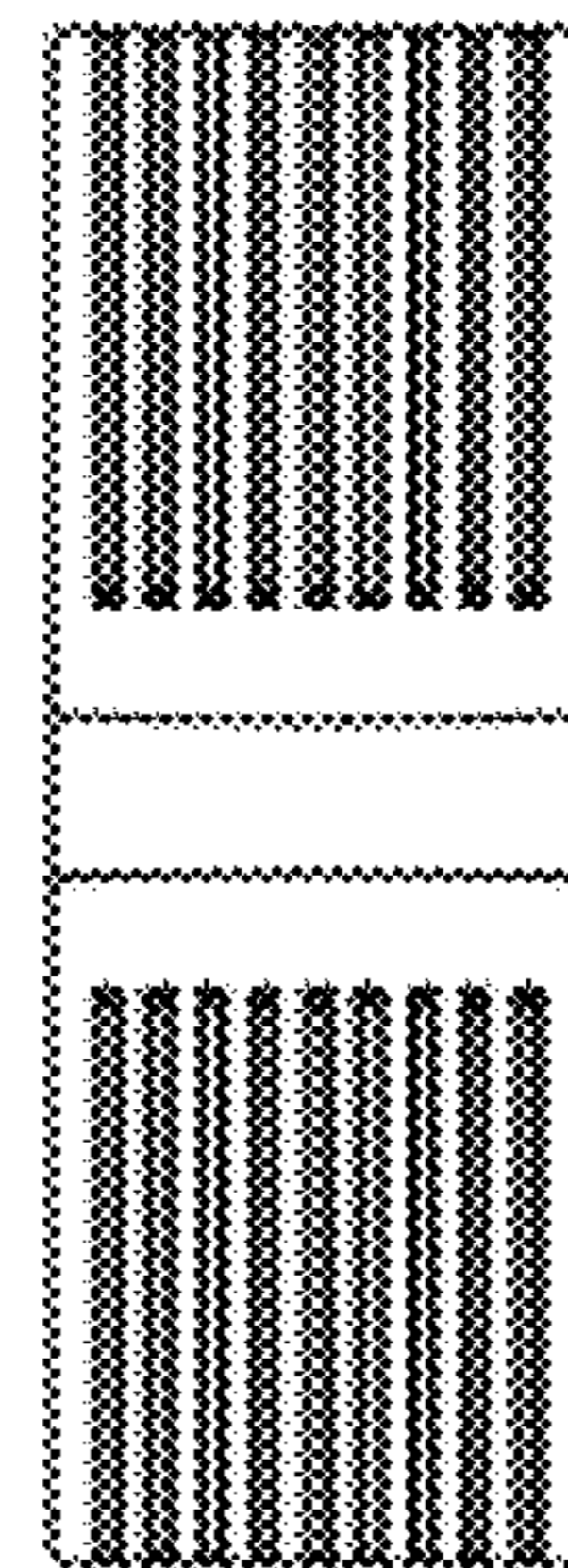


FIG. 15