



US00D677050S

(12) **United States Design Patent**
Saba et al.

(10) **Patent No.:** **US D677,050 S**
(45) **Date of Patent:** **** Mar. 5, 2013**

(54) **LUGGAGE**

(75) Inventors: **Walid A. Saba**, Dearborn, MI (US);
Timothy M. Feher, Lincoln Park, MI
(US); **Steven A. Marek**, Troy, MI (US)

(73) Assignee: **Chrysler Group LLC**, Auburn Hills, MI
(US)

(**) Term: **14 Years**

(21) Appl. No.: **29/411,142**

(22) Filed: **Jan. 17, 2012**

(51) **LOC (9) Cl.** **03-01**

(52) **U.S. Cl.** **D3/276; D3/279**

(58) **Field of Classification Search** D3/273,
D3/276, 278–279, 283–285, 289; 190/18 A,
190/100–127; 206/278, 286–287.1

See application file for complete search history.

(56) **References Cited**

U.S. PATENT DOCUMENTS

3,744,084	A	7/1973	Fankhouser	
5,253,739	A *	10/1993	King	190/18 A
5,355,980	A	10/1994	Hsieh	
5,407,040	A	4/1995	Hu	
5,524,737	A	6/1996	Wang	
5,560,458	A	10/1996	Franklin et al.	
5,575,362	A	11/1996	Franklin et al.	
5,943,936	A	8/1999	Deliman et al.	
6,032,771	A	3/2000	Pedrini	
6,305,514	B1	10/2001	Lin et al.	
6,505,720	B1	1/2003	Tsai	
D541,530	S *	5/2007	Sijmons	D3/279
D601,342	S *	10/2009	Choi	D3/279
D603,163	S *	11/2009	Van Himbeeck	D3/279
D618,910	S *	7/2010	Porter et al.	D3/279
D623,856	S *	9/2010	Pezzini	D3/279
D663,855	S *	7/2012	Zack et al.	D24/203

FOREIGN PATENT DOCUMENTS

WO 03063637 A2 8/2003

OTHER PUBLICATIONS

Tumi Creates Custom Travel Cases for 2012 Lexus LFA, <http://www.bornrich.com/entry/tumi-creates-custom-travel-cases-for-2012-lexus-lfa/>, Jun. 27, 2012, p. 1 of 4.

* cited by examiner

Primary Examiner — Jennifer Rivard

(74) *Attorney, Agent, or Firm* — Ralph E. Smith

(57) **CLAIM**

The ornamental design for luggage, as shown and described.

DESCRIPTION

FIG. 1 is a front, elevated perspective view showing our new design with a retractable pull handle stored;

FIG. 2 is a front view thereof;

FIG. 3 is a rear view thereof;

FIG. 4 is a handle side view thereof;

FIG. 5 is a hinge side view thereof;

FIG. 6 is a top view thereof;

FIG. 7 is a bottom view thereof;

FIG. 8 is a front, elevated perspective view showing our new design with the retractable pull handle deployed;

FIG. 9 is a front view showing the handle extended thereof;

FIG. 10 is a rear view showing the handle extended thereof;

FIG. 11 is a handle side view showing the handle extended thereof;

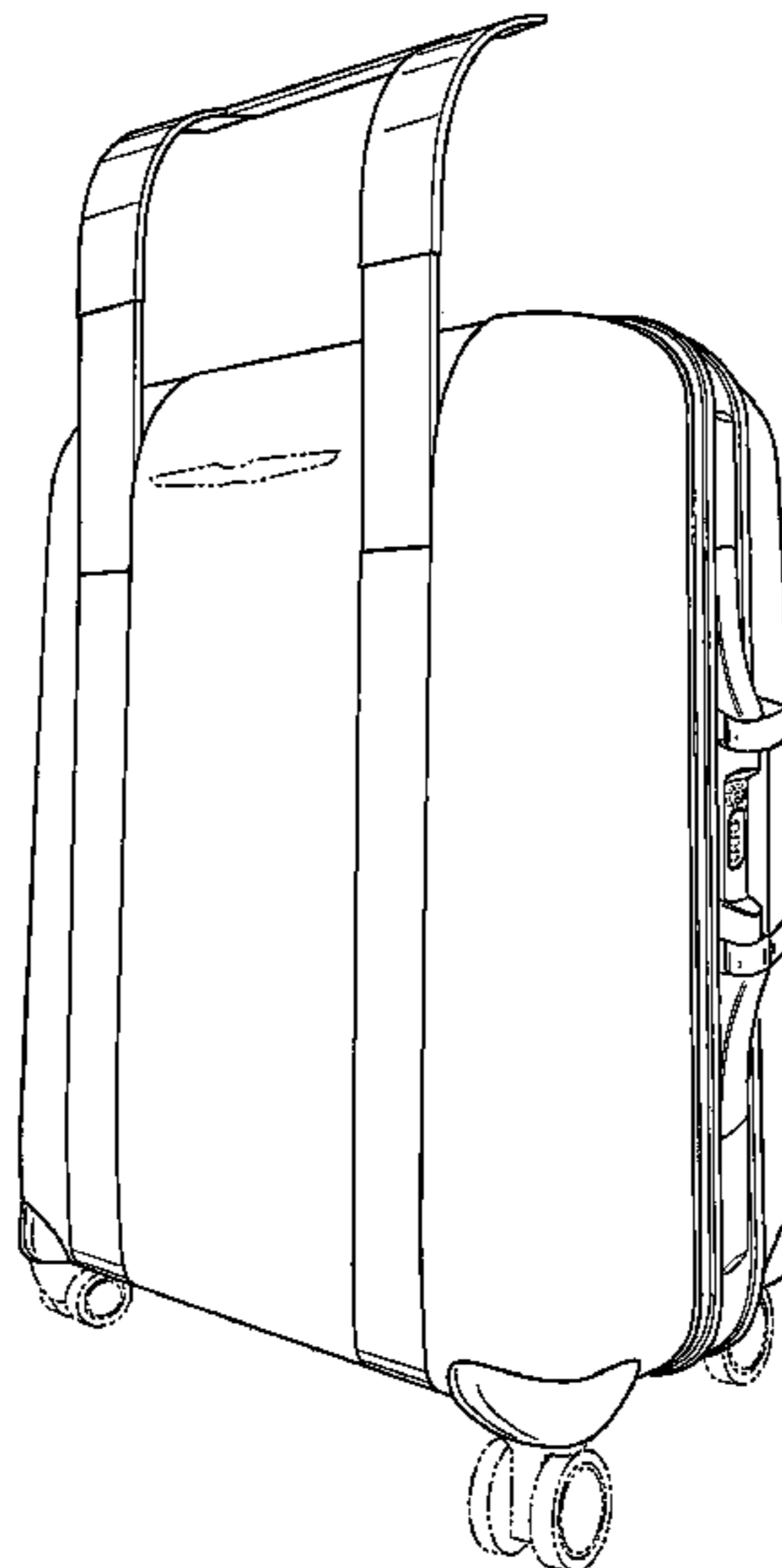
FIG. 12 is a hinge side view showing the handle extended thereof;

FIG. 13 is a top view thereof; and,

FIG. 14 is a bottom view thereof.

It will be understood that the dashed lines presented in the drawings are for illustration only, and do not form a part of the claimed design.

1 Claim, 12 Drawing Sheets



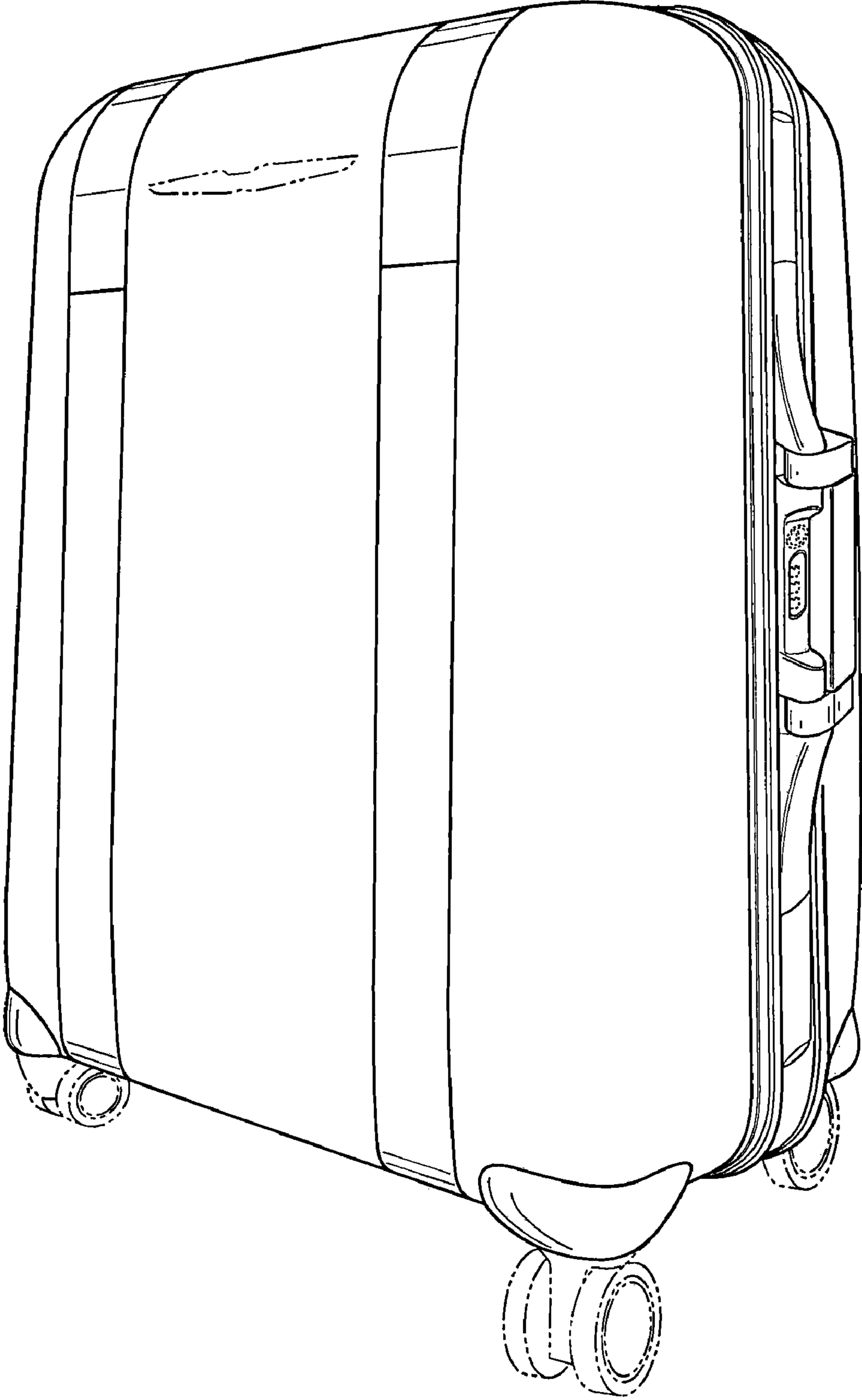


FIG. 1

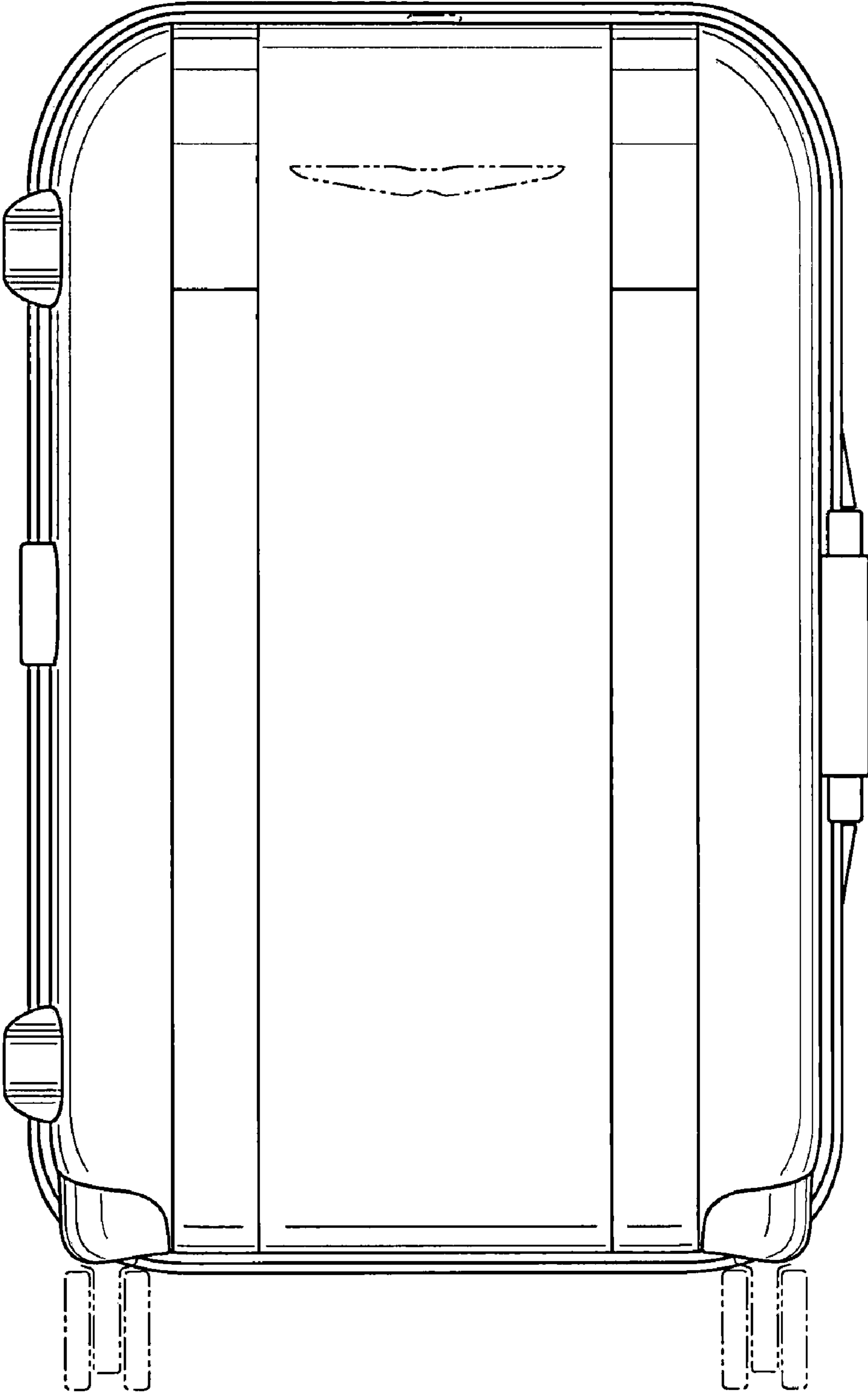


FIG. 2

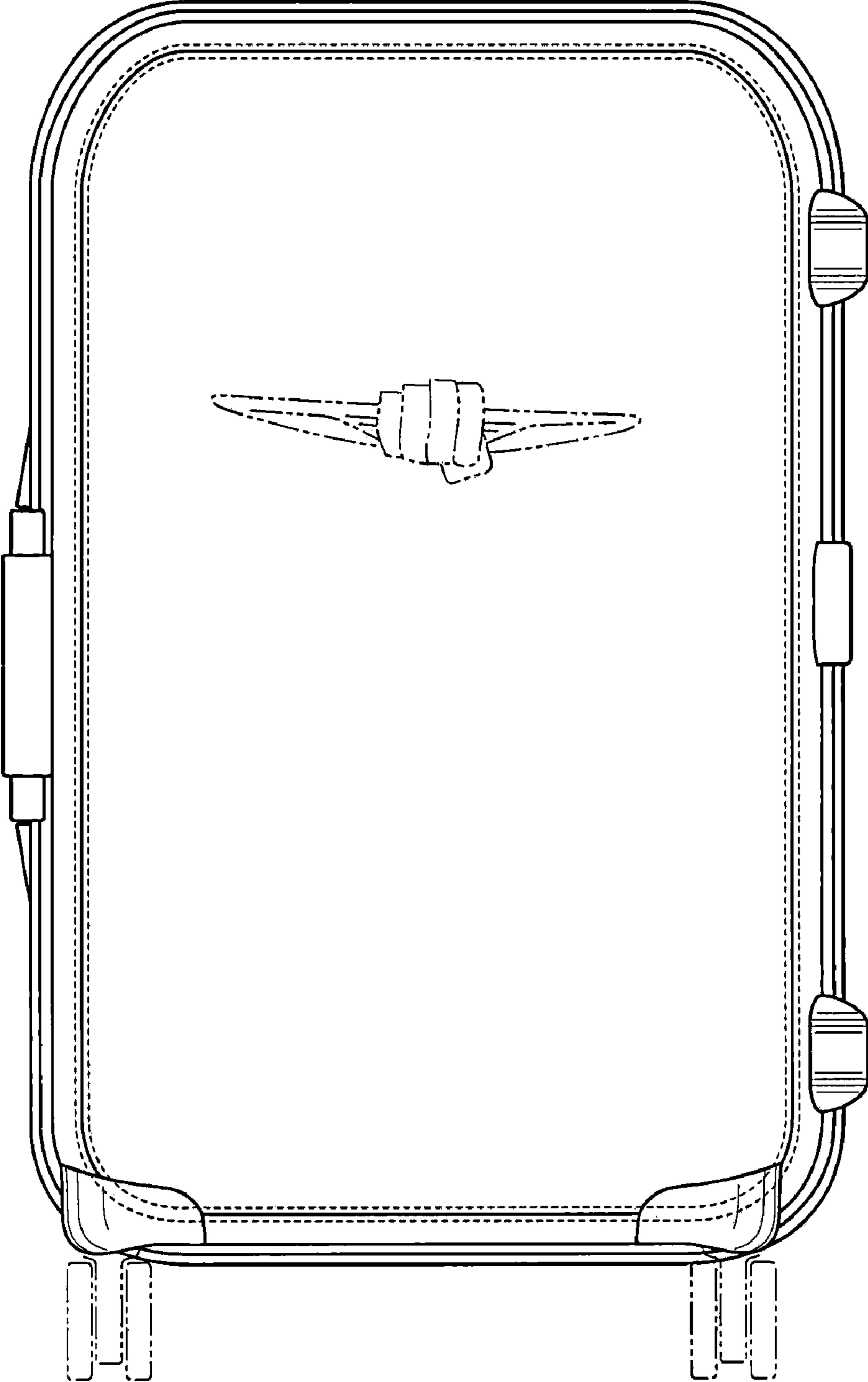


FIG. 3

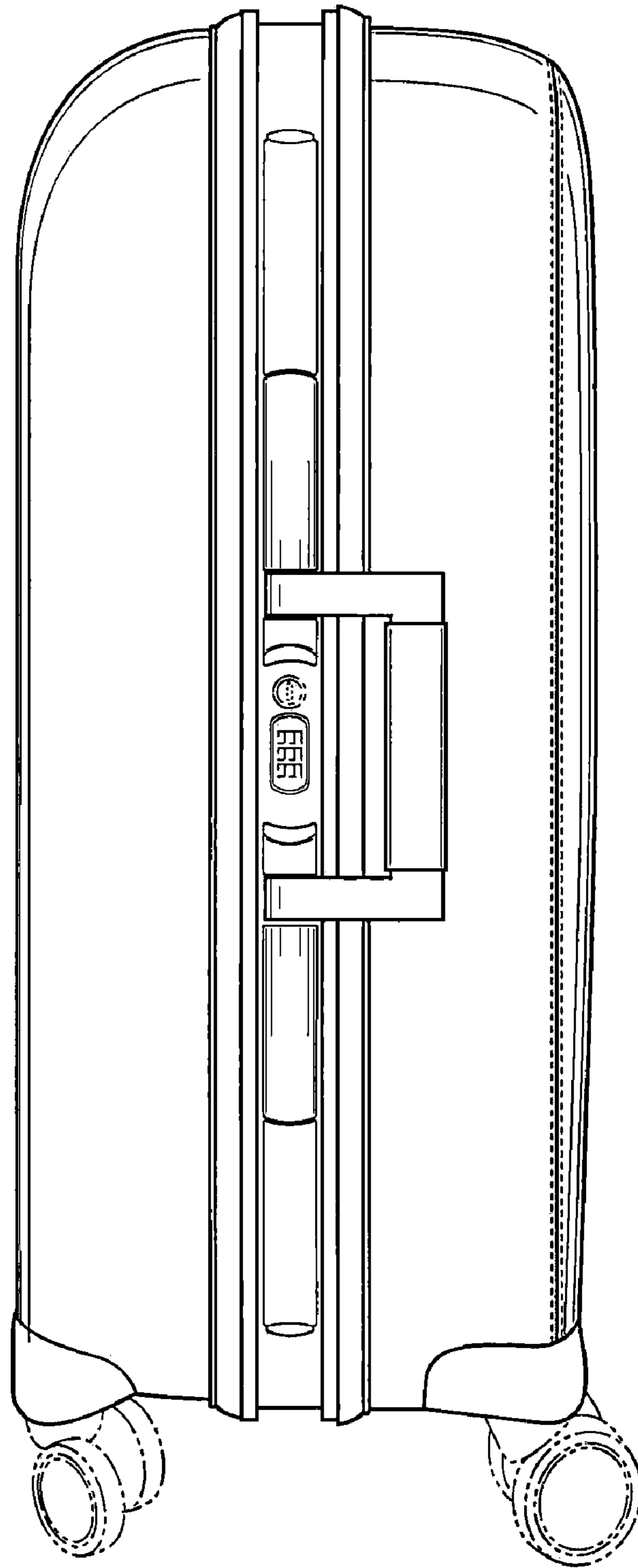


FIG. 4

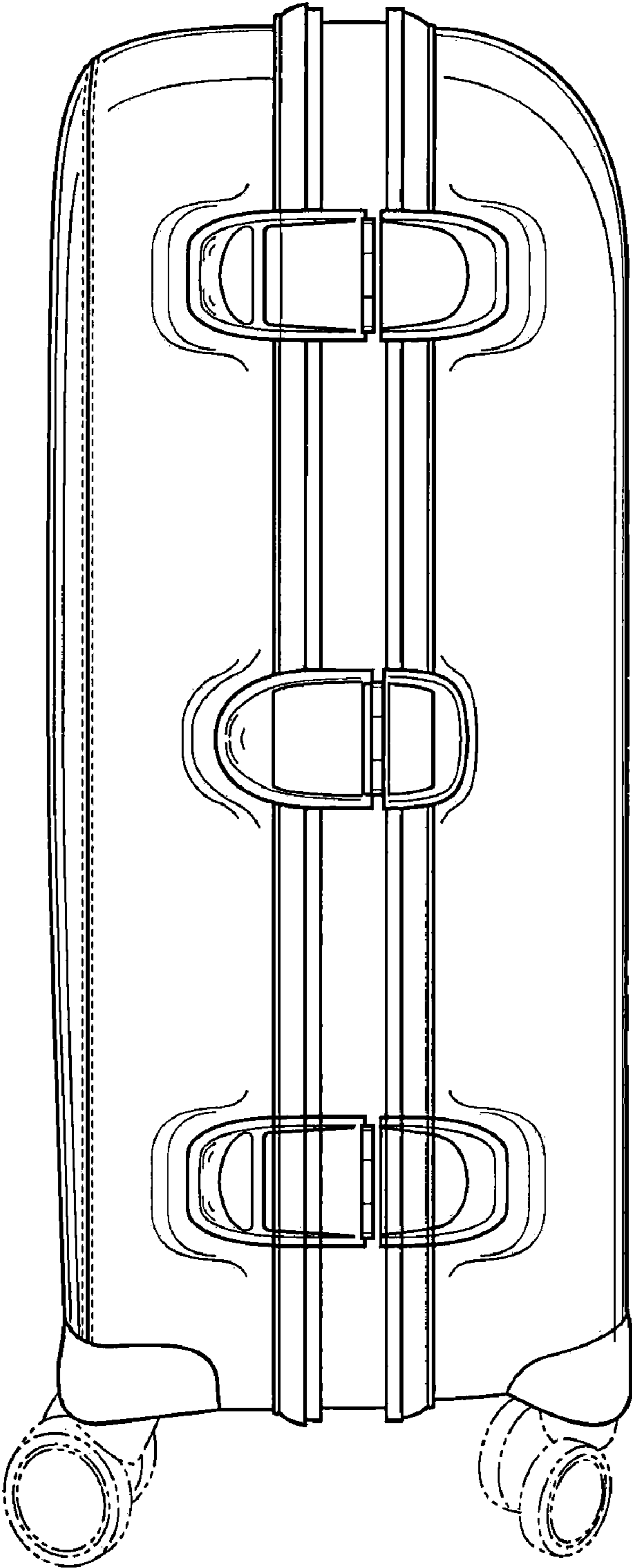


FIG. 5

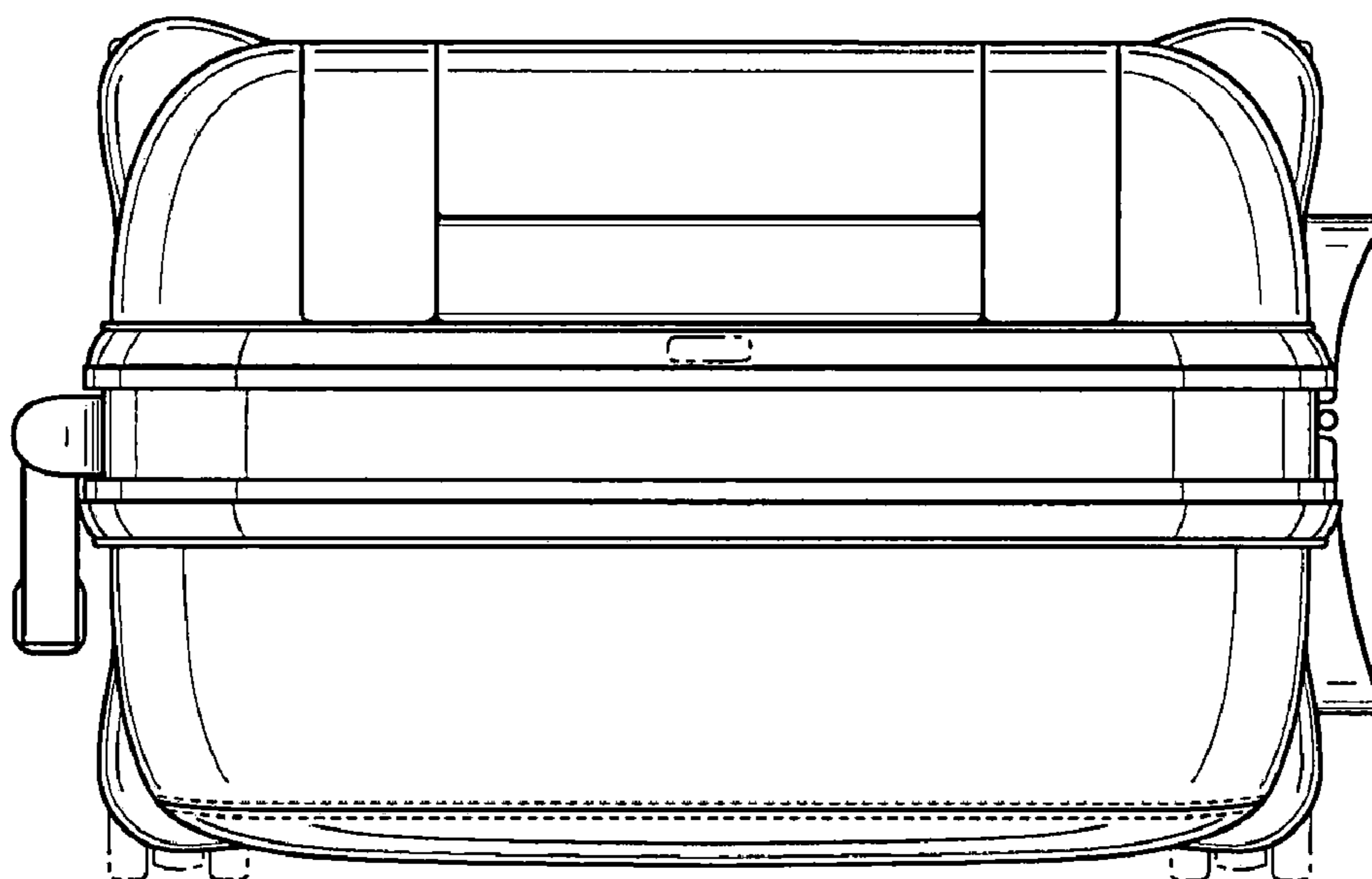


FIG. 6

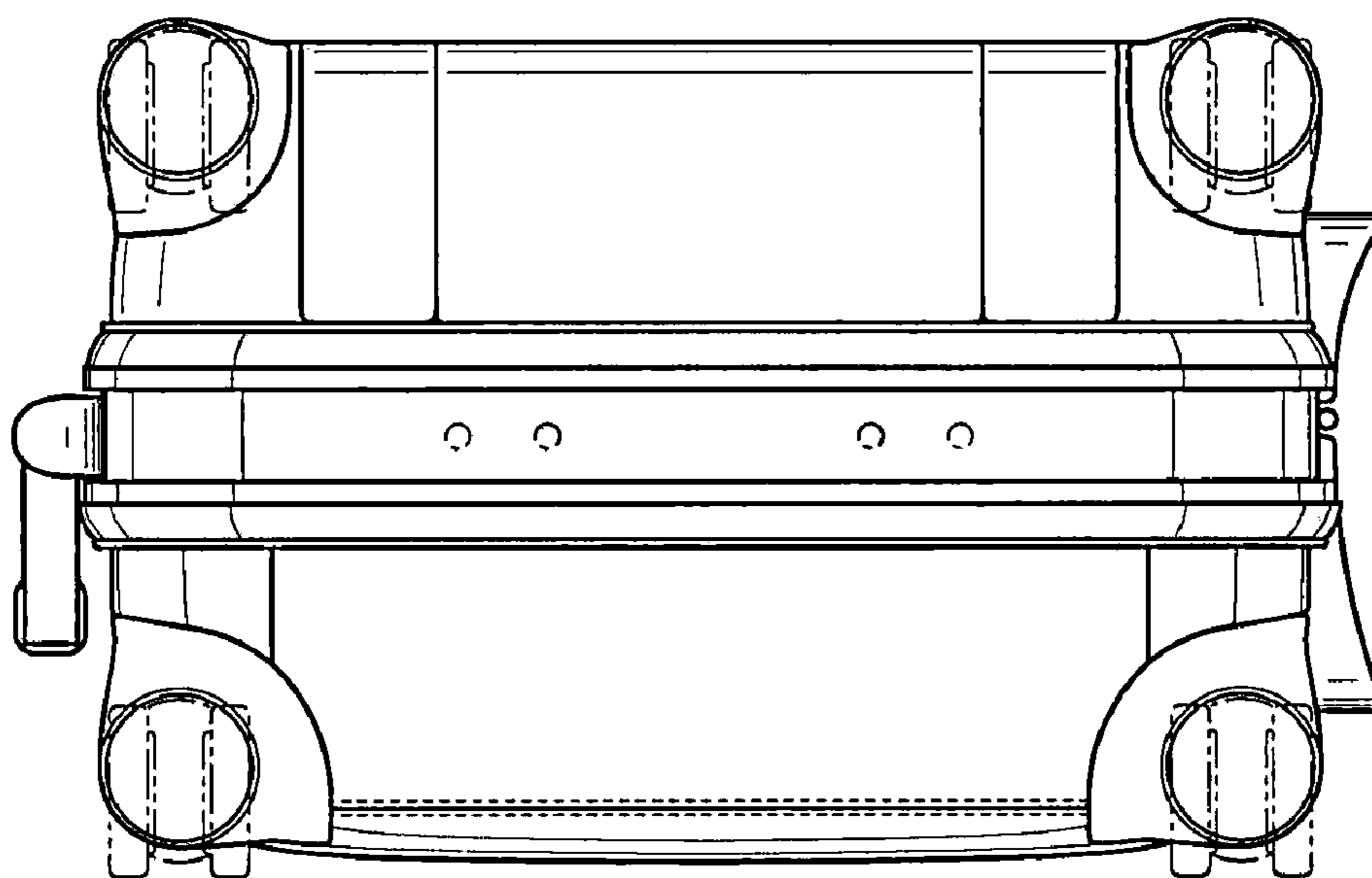


FIG. 7

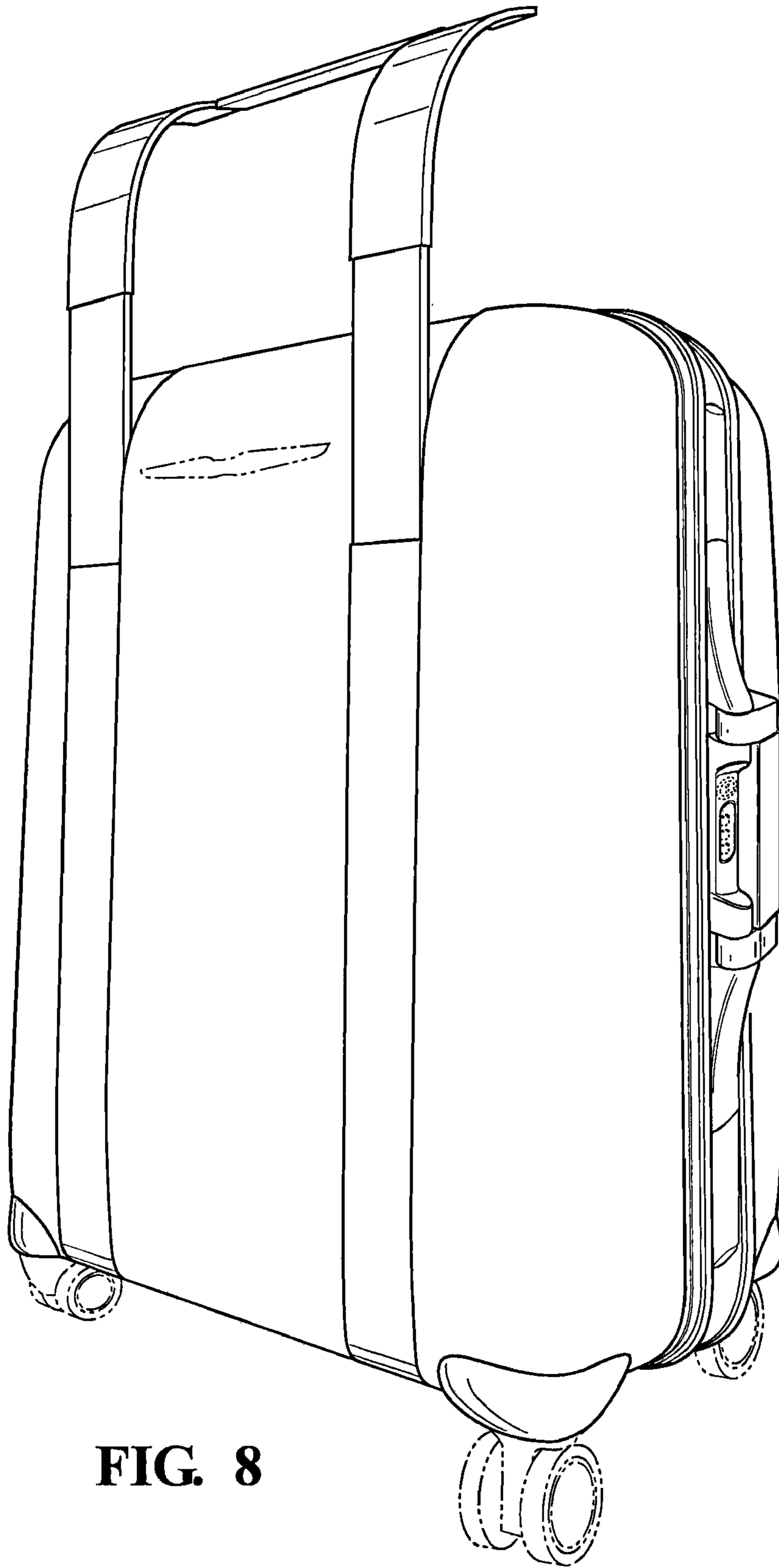


FIG. 8

FIG. 9

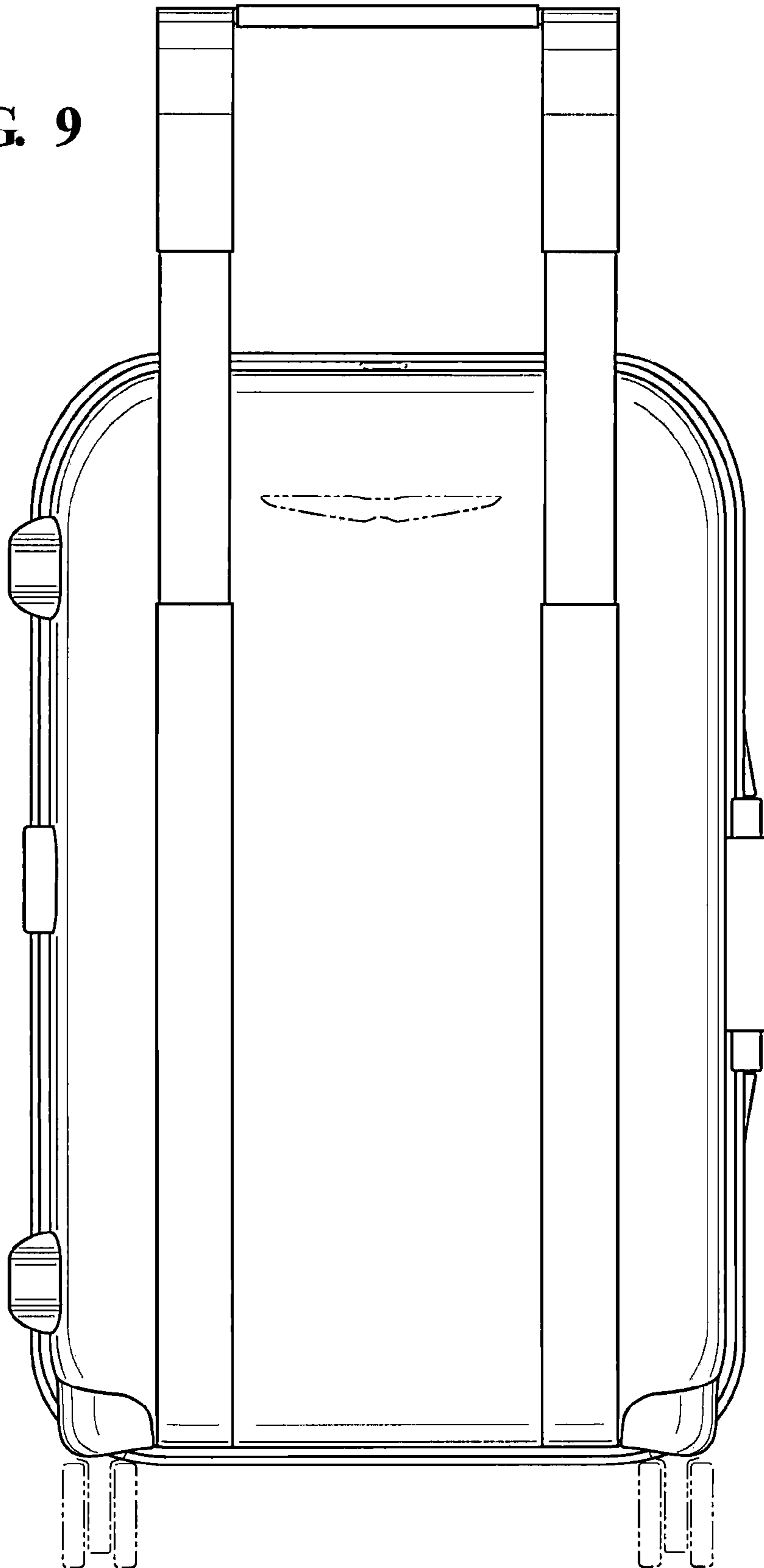


FIG. 10

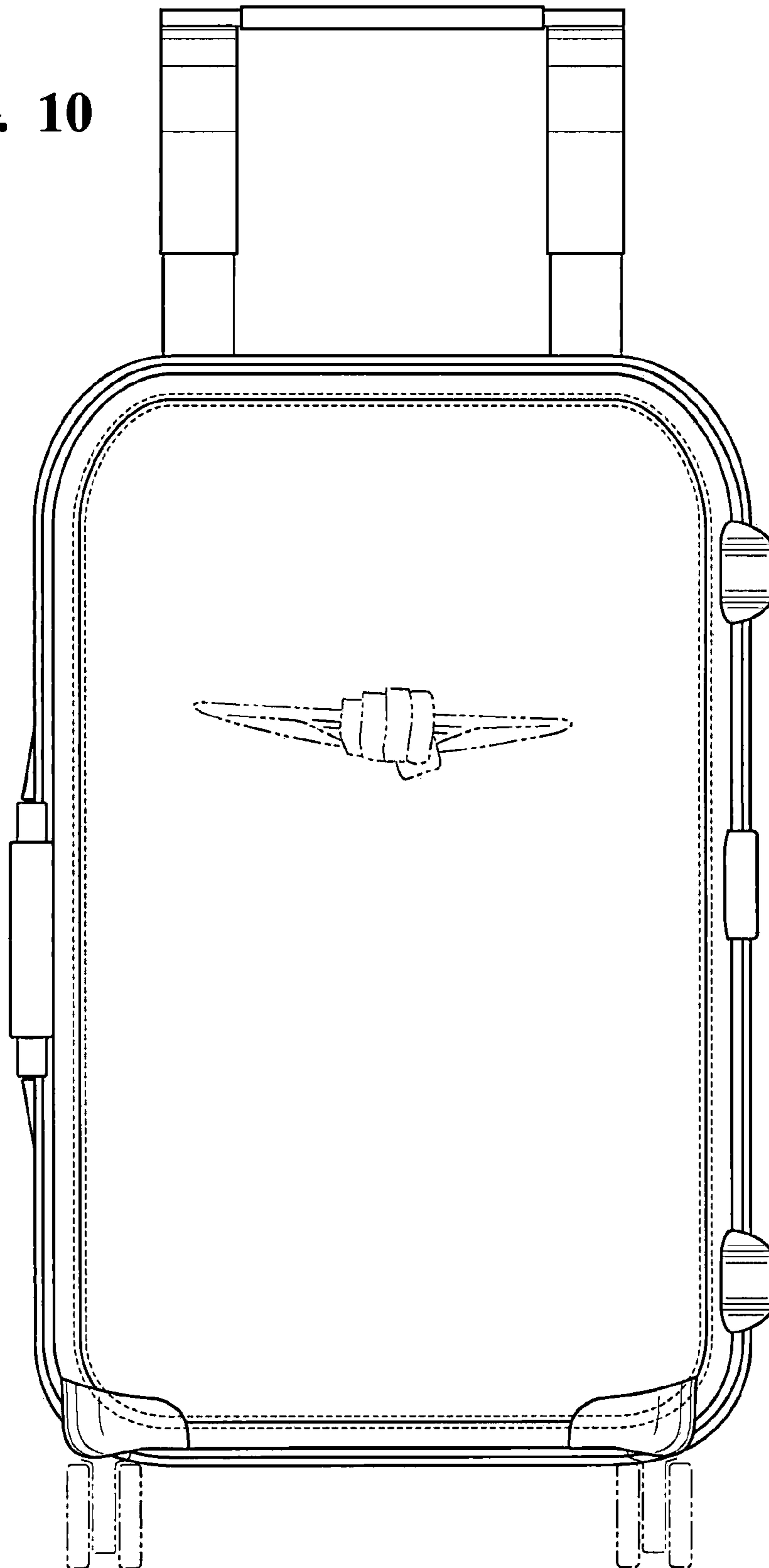


FIG. 11

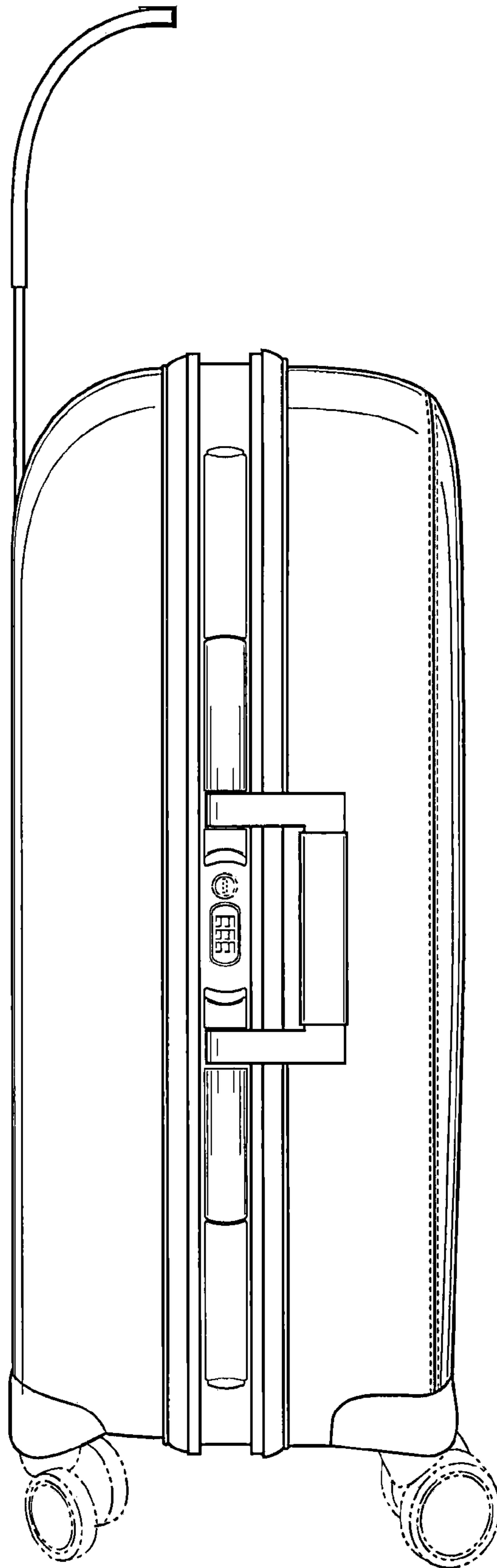
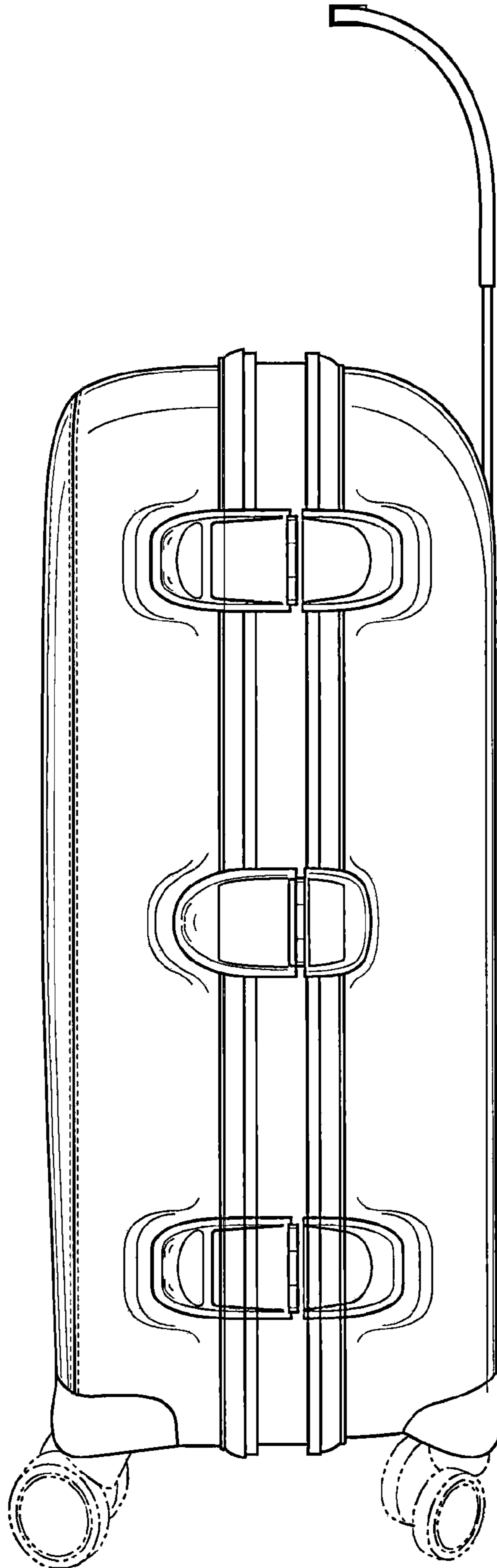


FIG. 12



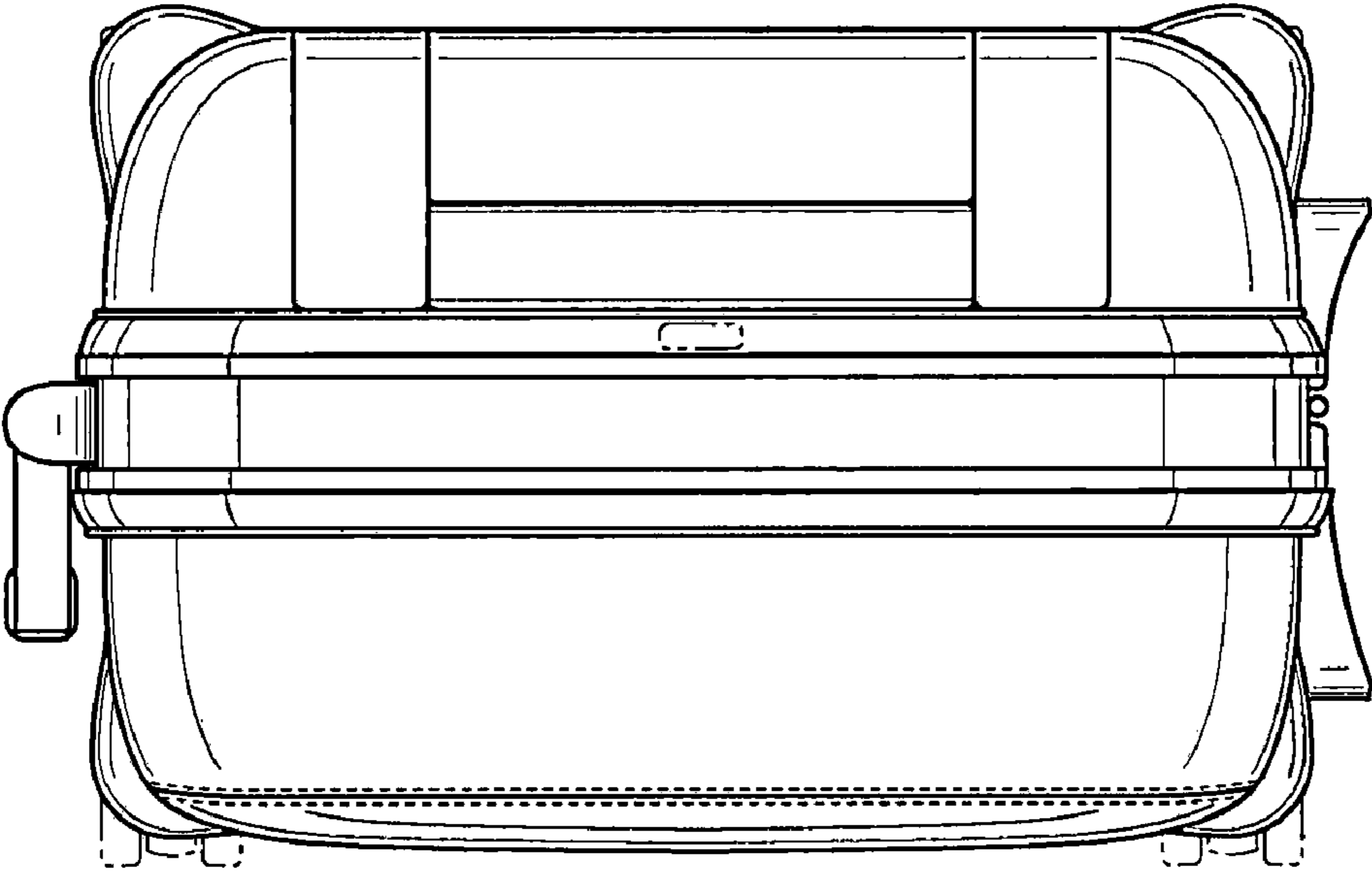


FIG. 13

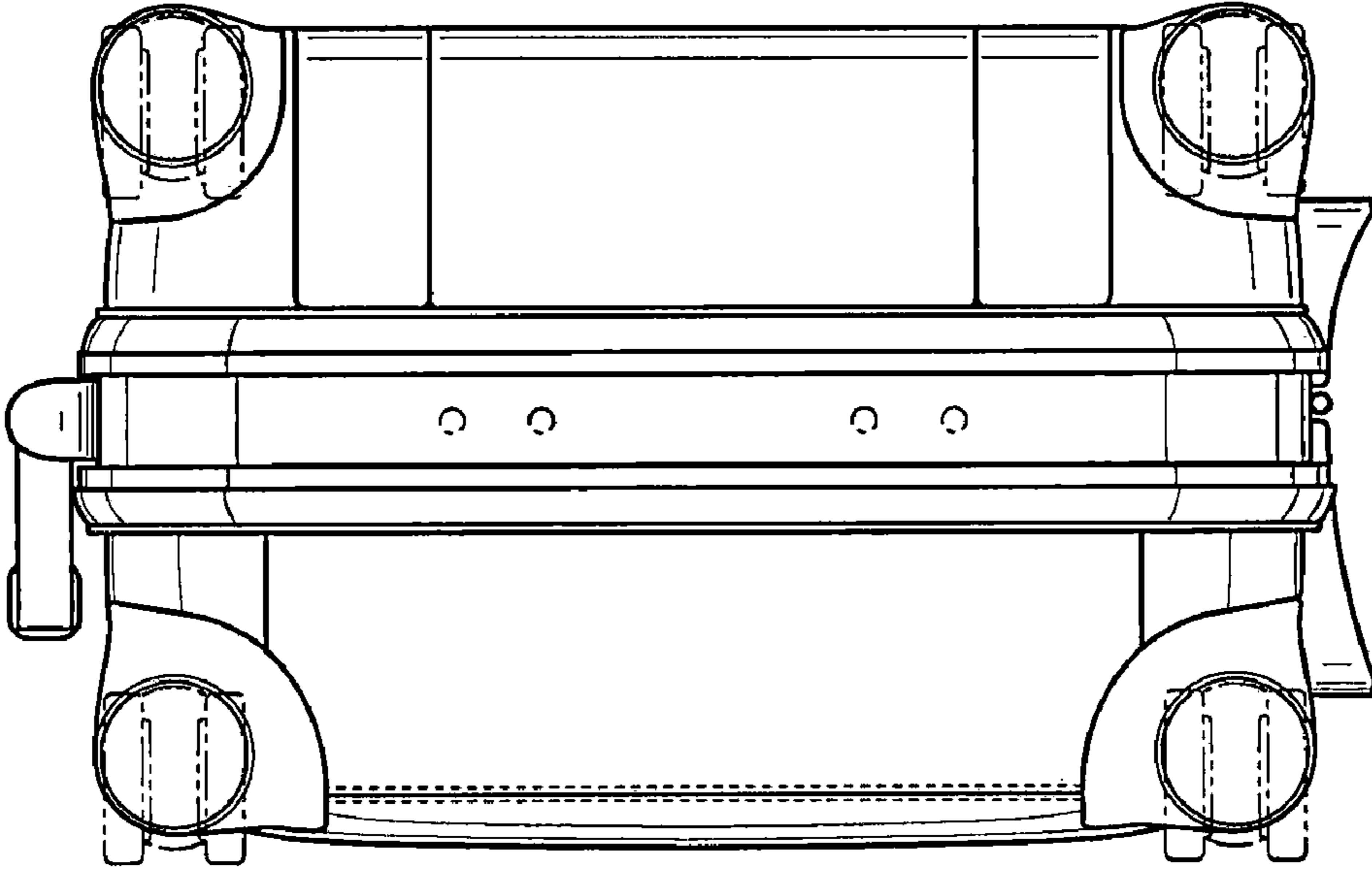


FIG. 14