



US00D677049S

(12) **United States Design Patent**  
**Pennington**

(10) **Patent No.:** **US D677,049 S**  
(45) **Date of Patent:** **\*\* Mar. 5, 2013**

(54) **PISTOL CASE**

(76) Inventor: **Billy Pennington**, Little Rock, AR (US)

(\*\*) Term: **14 Years**

(21) Appl. No.: **29/406,787**

(22) Filed: **Nov. 18, 2011**

(51) **LOC (9) Cl.** ..... **03-01**

(52) **U.S. Cl.** ..... **D3/262**

(58) **Field of Classification Search** ..... D3/262,  
D3/247; 150/130-131, 136-137; 206/315.1,  
206/102, 110, 317

See application file for complete search history.

(56) **References Cited**

**U.S. PATENT DOCUMENTS**

D247,930	S	*	5/1978	Glaser	.....	D3/245
D283,269	S	*	4/1986	Durbin	.....	D3/262
D388,250	S	*	12/1997	Robinson et al.	.....	D3/245
5,924,565	A	*	7/1999	Colee	.....	206/317
6,547,070	B1	*	4/2003	Kolpin	.....	206/317
7,063,737	B2	*	6/2006	Tilby et al.	.....	206/317

\* cited by examiner

*Primary Examiner* — Holly Baynham

(74) *Attorney, Agent, or Firm* — Joe D. Calhoun; Rashauna A. Norment

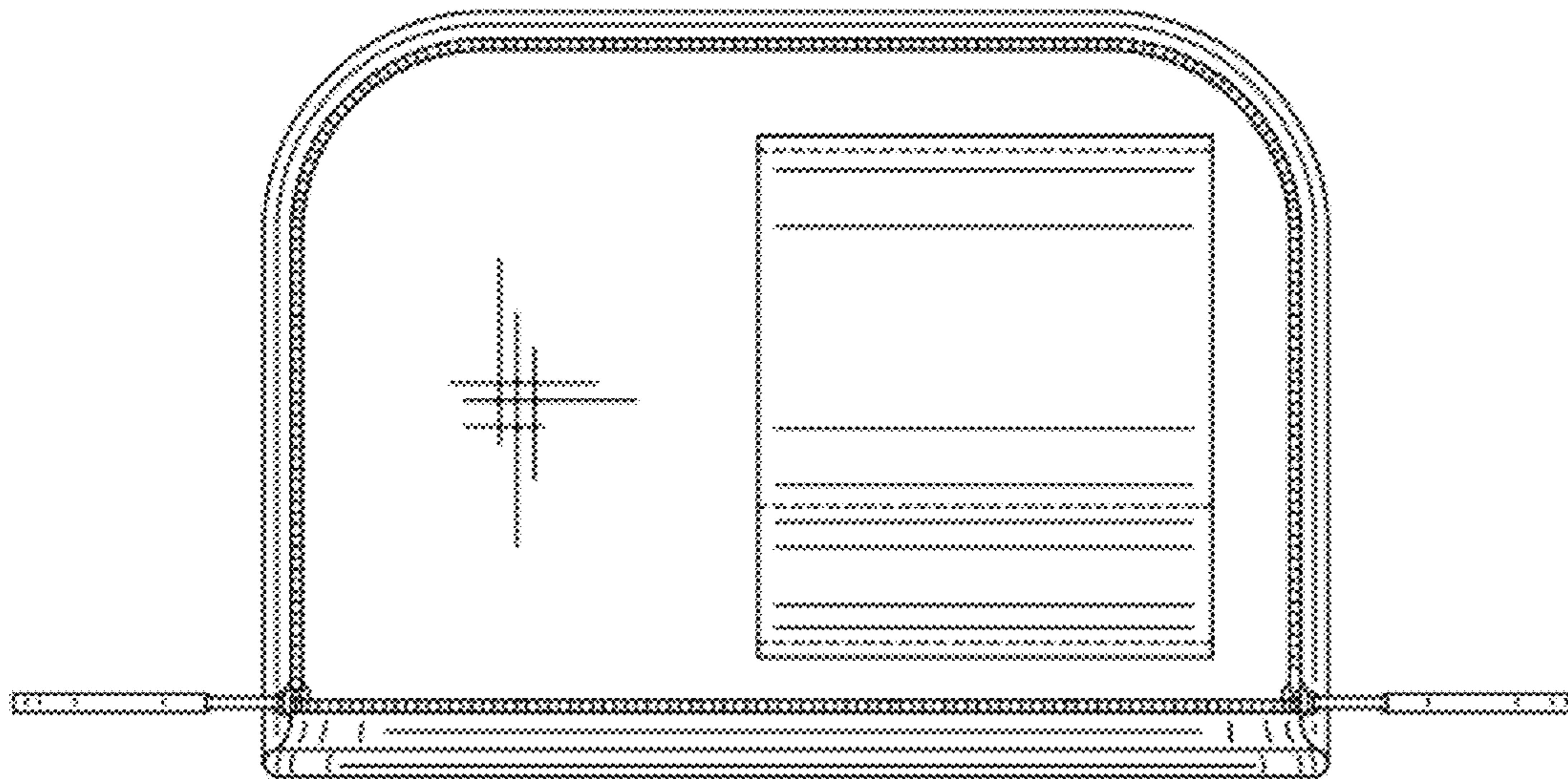
(57) **CLAIM**

The ornamental design for a pistol case, as shown and described.

**DESCRIPTION**

FIG. 1 is a front elevation view of a pistol case showing my new design;  
FIG. 2 is a rear elevation view thereof;  
FIG. 3 is a right elevation view thereof;  
FIG. 4 is a left elevation view thereof;  
FIG. 5 is a top plan view thereof;  
FIG. 6 is a bottom plan view thereof;  
FIG. 7 is an isometric view; and,  
FIG. 8 is an isometric view in a close position.  
The broken lines showing a bracket are for the purposes of illustrating environment and form no part of the claimed design.

**1 Claim, 5 Drawing Sheets**



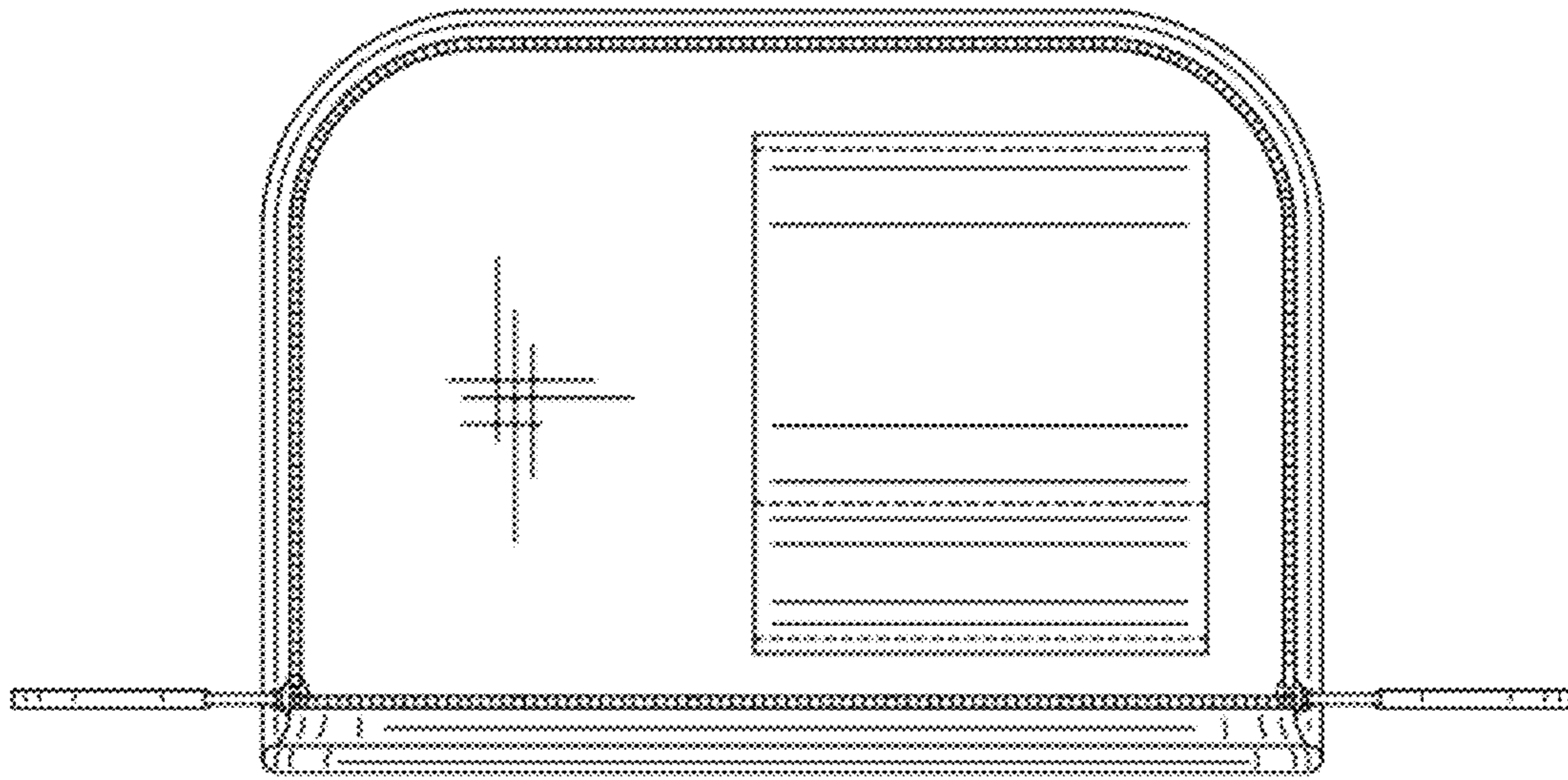


FIG. 1

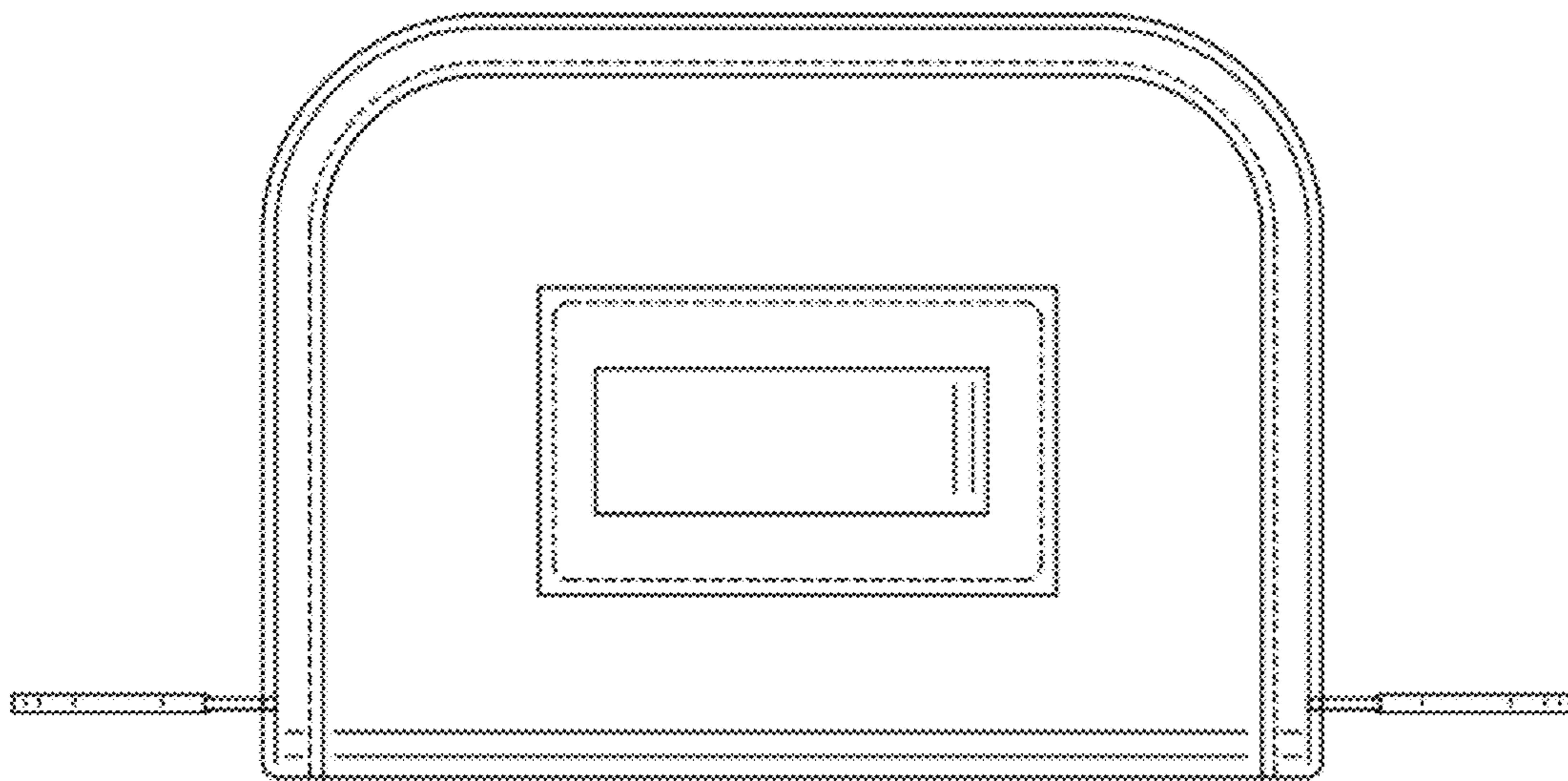


FIG. 2

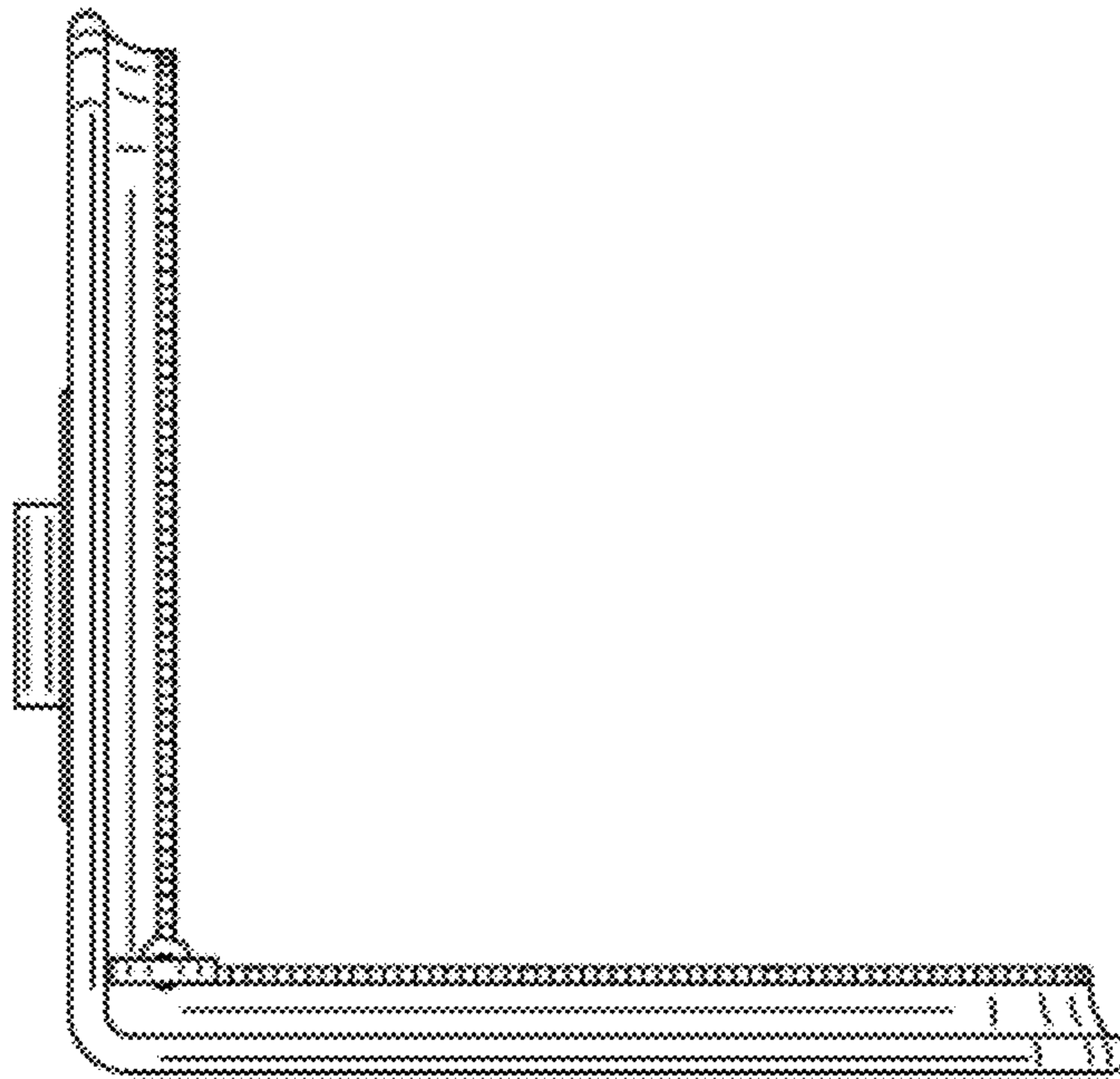


FIG. 3

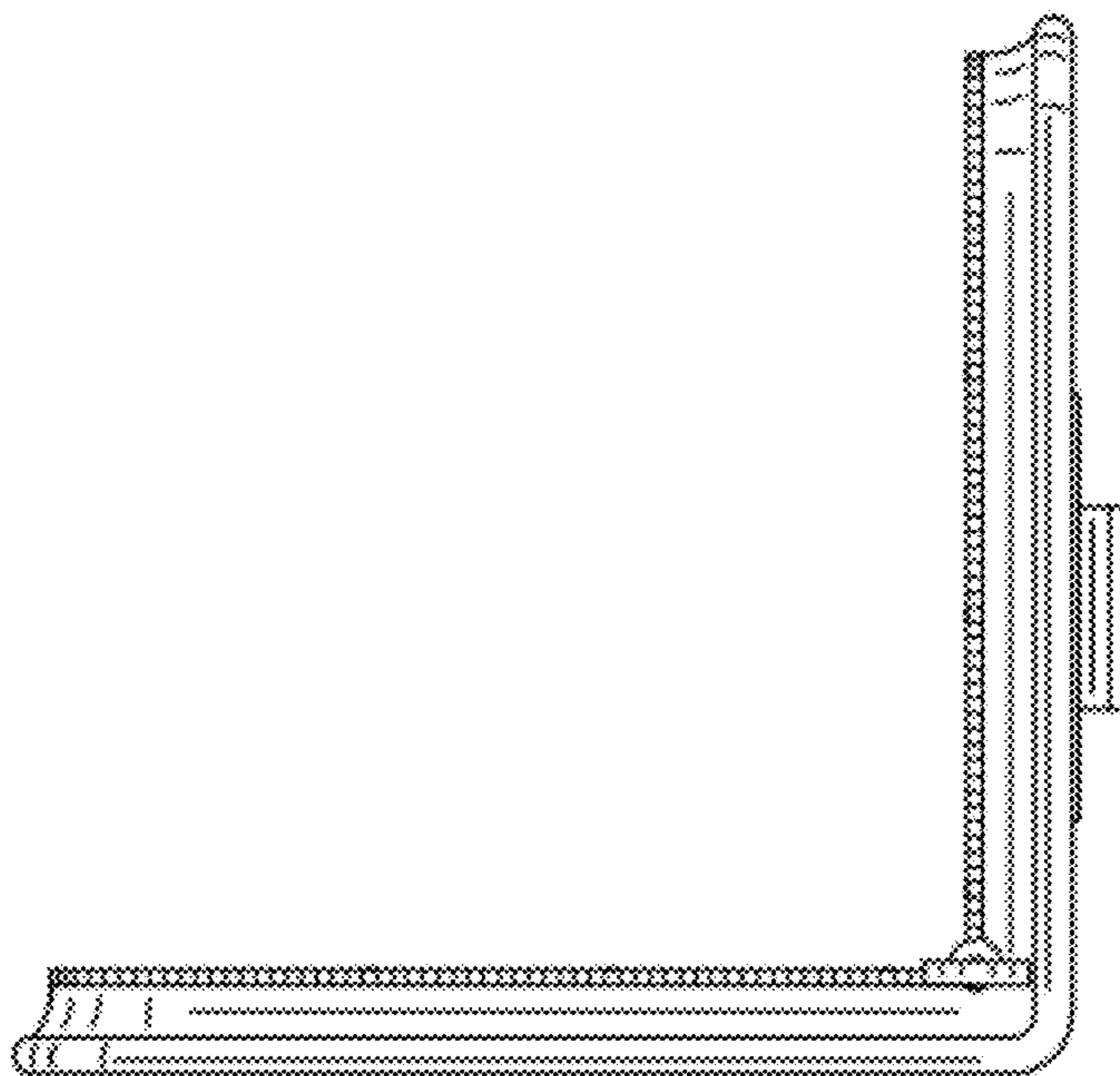


FIG. 4

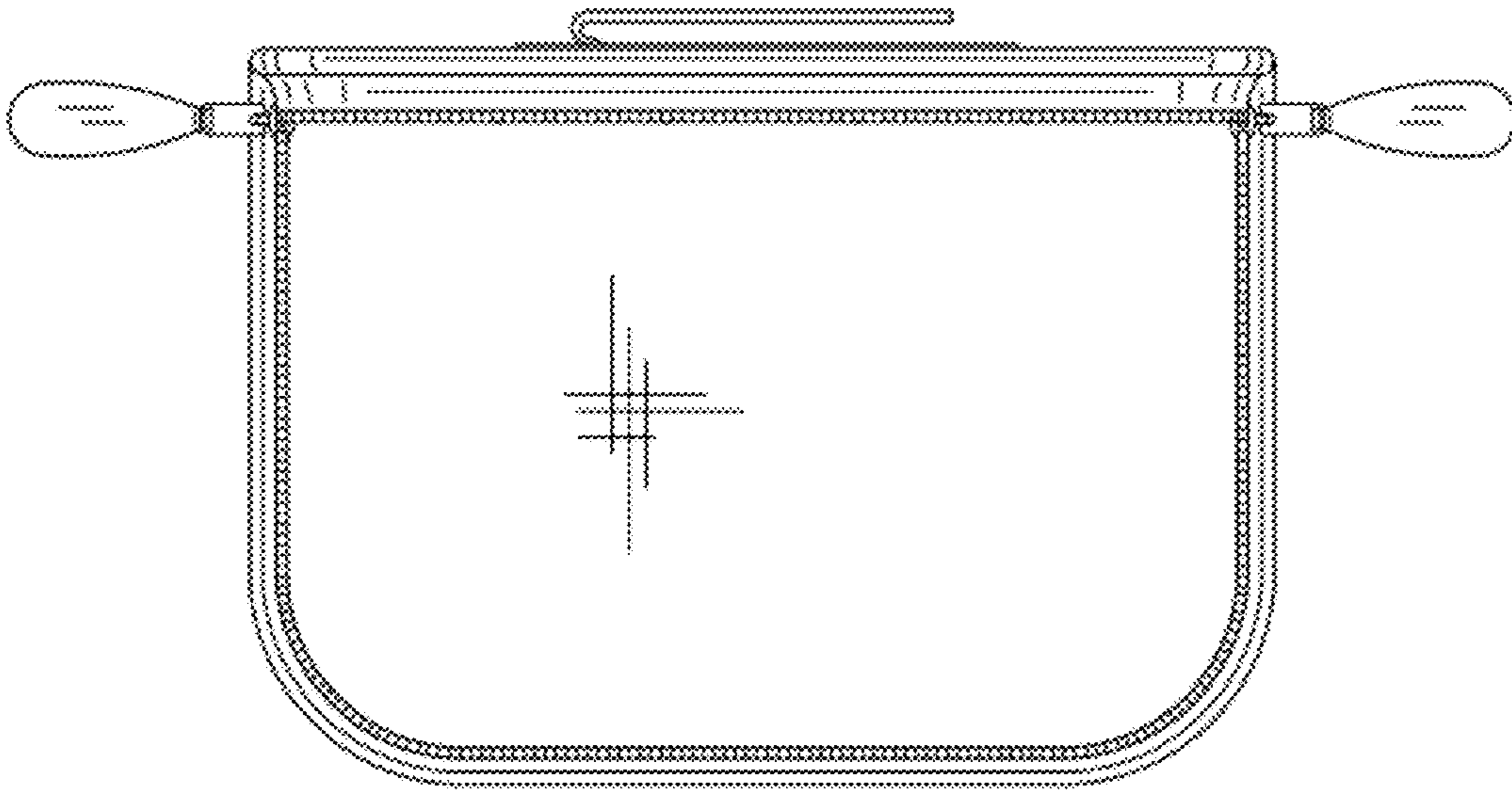


FIG. 5

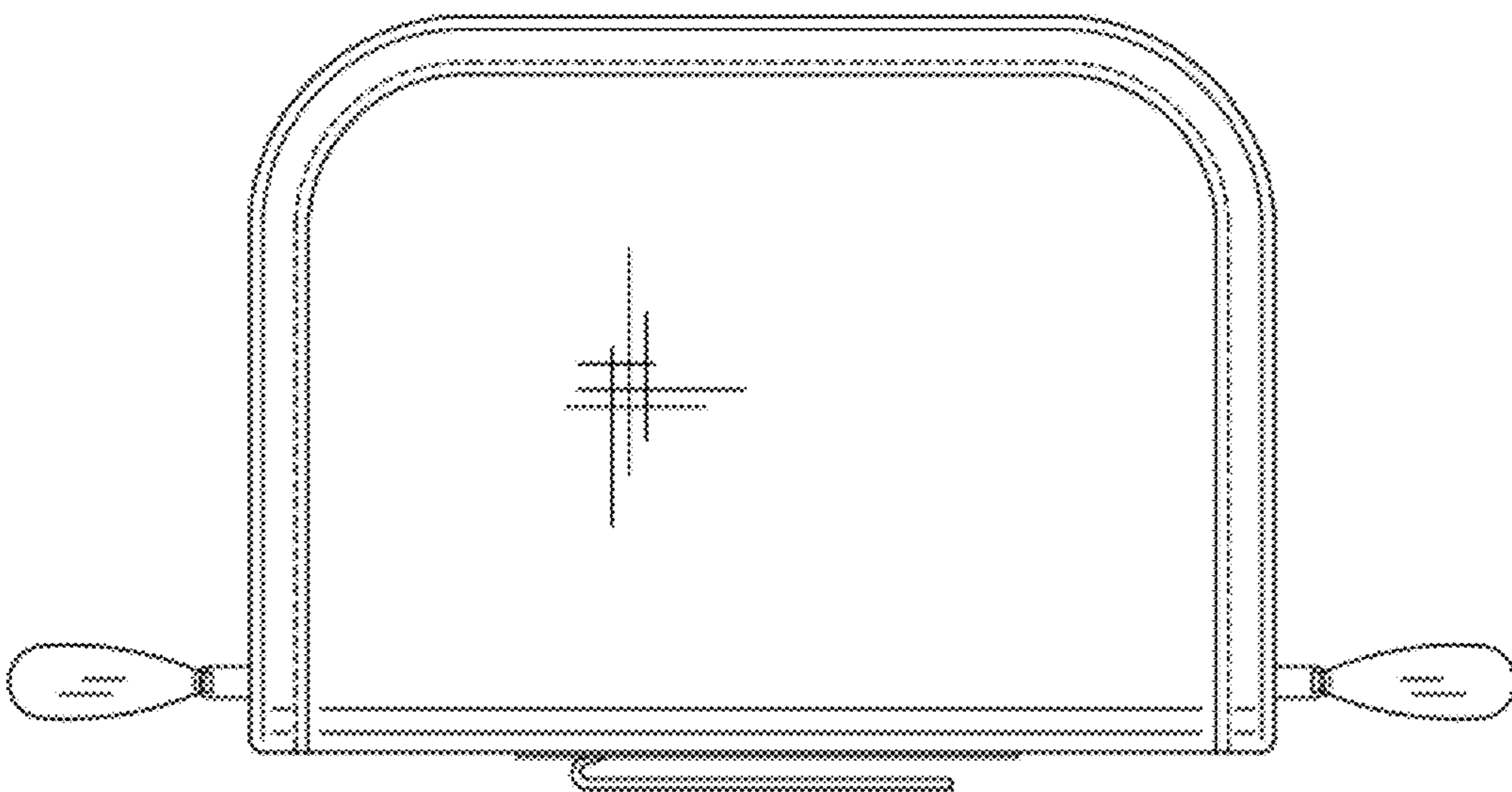


FIG. 6

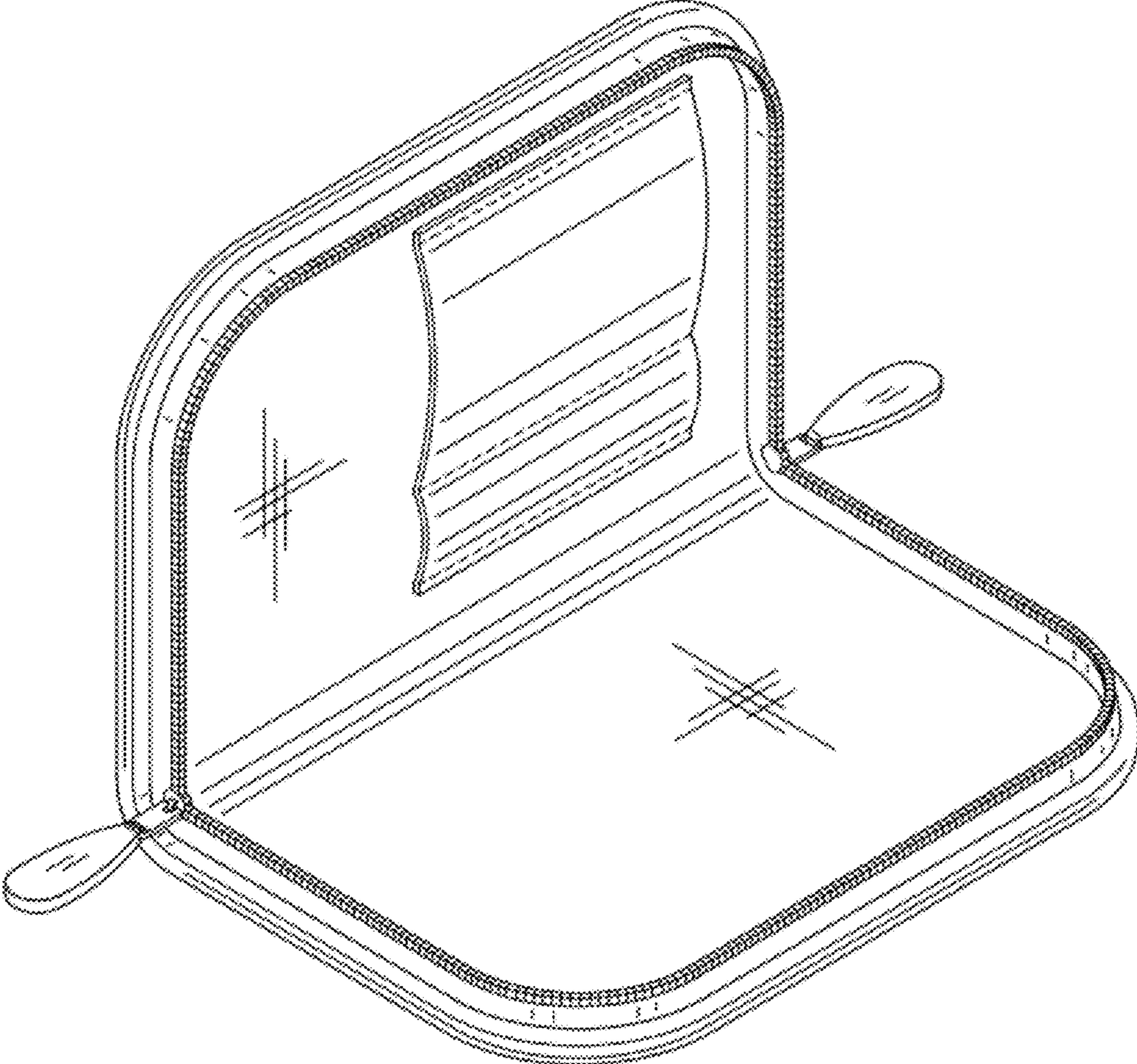


FIG. 7

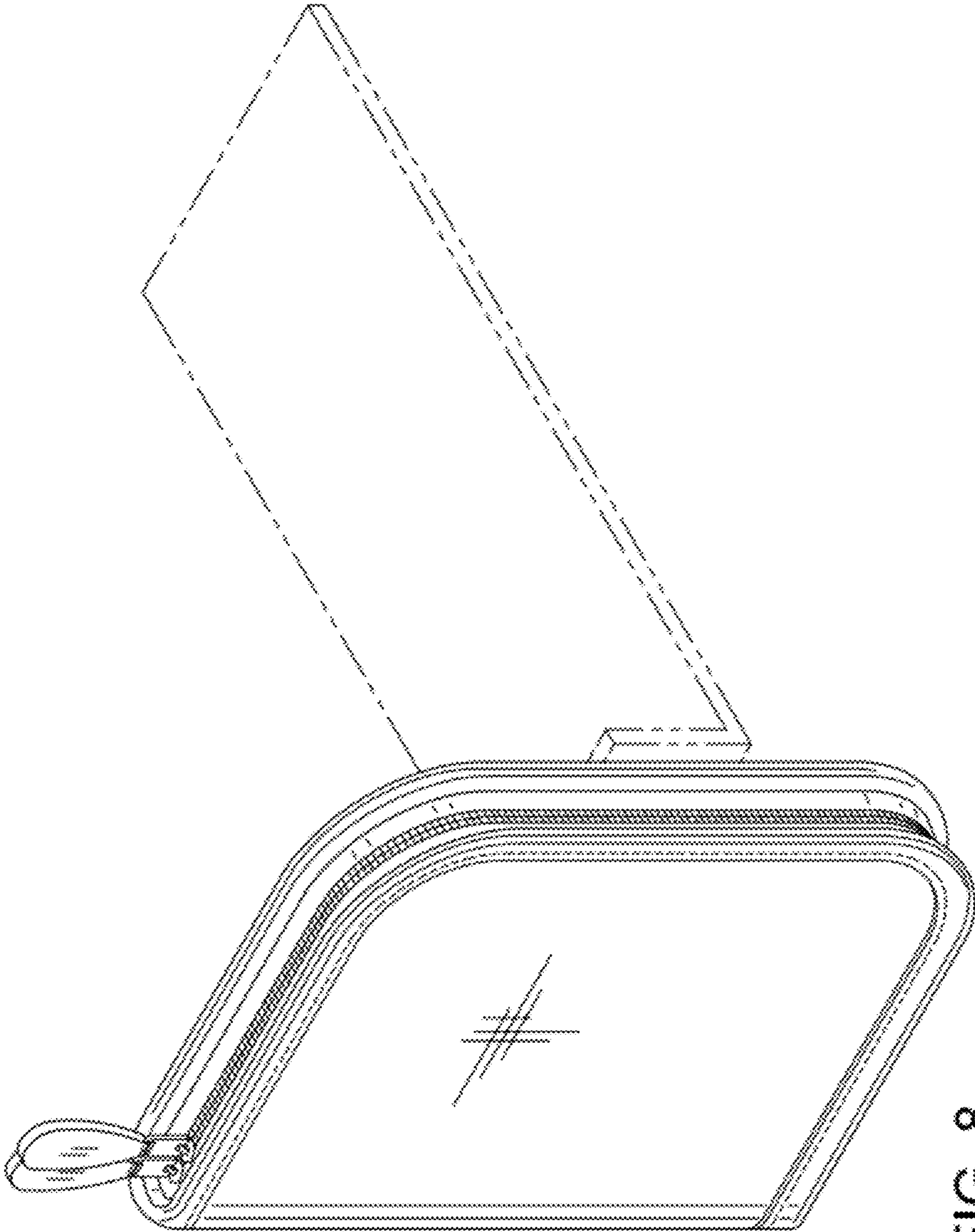


FIG. 8