



US00D677048S

(12) **United States Design Patent**
Du

(10) **Patent No.:** **US D677,048 S**
(45) **Date of Patent:** **** Mar. 5, 2013**

(54) **KEY HOLDER**

(76) Inventor: **Tiffany Du**, Garden Grove, CA (US)

(**) Term: **14 Years**

(21) Appl. No.: **29/389,098**

(22) Filed: **Apr. 6, 2011**

(51) **LOC (9) Cl.** **03-01**

(52) **U.S. Cl.** **D3/207**

(58) **Field of Classification Search** D11/1-2,
D11/14, 26-29, 89-92, 44, 48, 81, 99; D3/207-212;
D8/16, 38, 347, 348; 70/456 B, 457, 458;
206/37.1; D21/576, 593, 594, 606, 609,
D21/610, 611, 659, 660

See application file for complete search history.

(56) **References Cited**

U.S. PATENT DOCUMENTS

2,462,206	A *	2/1949	Magee	206/37.8
2,859,788	A *	11/1958	Ferber et al.	206/37.8
D338,617	S *	8/1993	Song	D3/210
D435,268	S *	12/2000	Browning	D19/26
D438,373	S *	3/2001	Riley	D3/207
D506,056	S *	6/2005	Burns	D3/207
D639,046	S *	6/2011	Ormsbee et al.	D3/207

* cited by examiner

Primary Examiner — Ralf Seifert

(74) *Attorney, Agent, or Firm* — Richard D. Clarke

(57) **CLAIM**

I claim the ornamental design for a key holder, as shown and described.

DESCRIPTION

FIG. 1 is a front, side and top perspective view of the key holder with ring attachable to a key fob and showing one key extended out for use;

FIG. 2 is a front, side and top perspective view of the key holder attachable to a clasp showing all of the keys inside the key holder for storage;

FIG. 3 is a side elevation view of the key holder with ring attachable to a key fob;

FIG. 4 is a front view of the key holder with ring attachable to a key fob;

FIG. 5 is a bottom view of the key holder;

FIG. 6 is a side elevation view of the key holder with ring attachable to a key fob showing one key extended out for use;

FIG. 7 is a side elevation view of the key holder with ring attachable to a clasp showing all of the keys inside the key holder for storage;

FIG. 8 is a top plan view of the key holder with ring;

FIG. 9 is a front view of the key holder with ring attachable to a clasp, showing one key extended out for use;

FIG. 10 is a side elevation view of the key holder attachable to a clasp showing one key extended out for use;

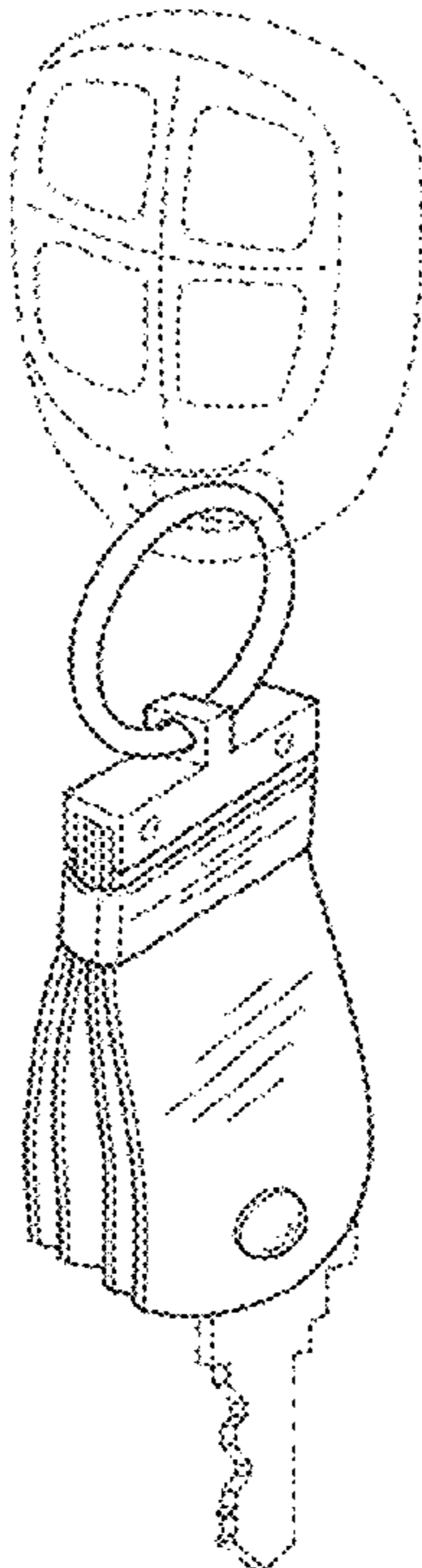
FIG. 11 is a bottom view of the key holder;

FIG. 12 is a rear view of the key holder attachable to a clasp showing one key extended out for use; and,

FIG. 13 is a top plan view of the key holder.

The broken line showing of environment in FIGS. 1, 2, 3, 4, 5, 6, 7, 9, 10, 11, and 12 is included for the purpose of illustration only and forms no part of the claimed design.

1 Claim, 5 Drawing Sheets



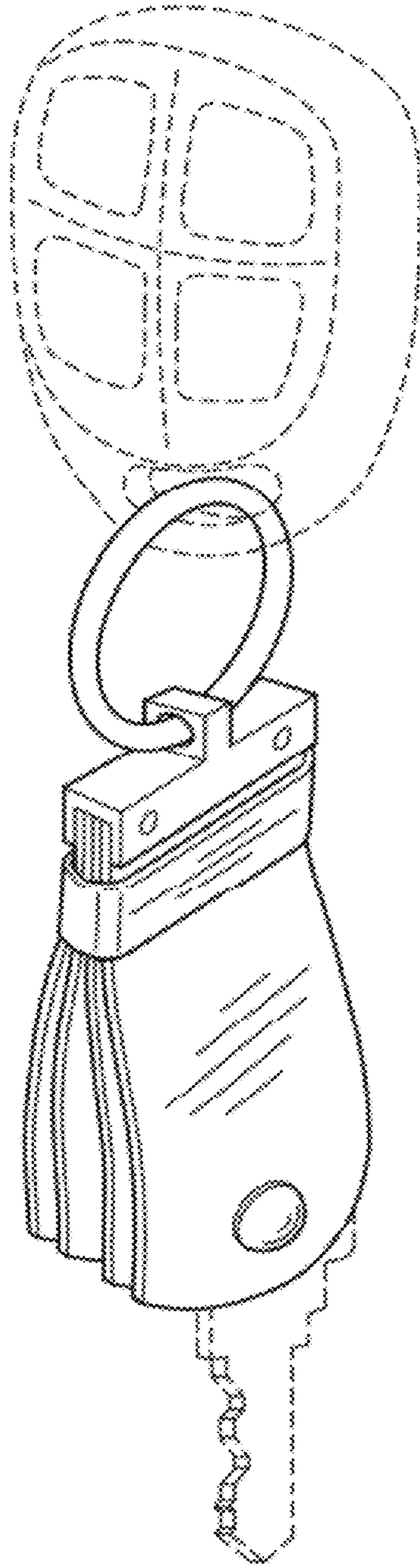


FIG. 1

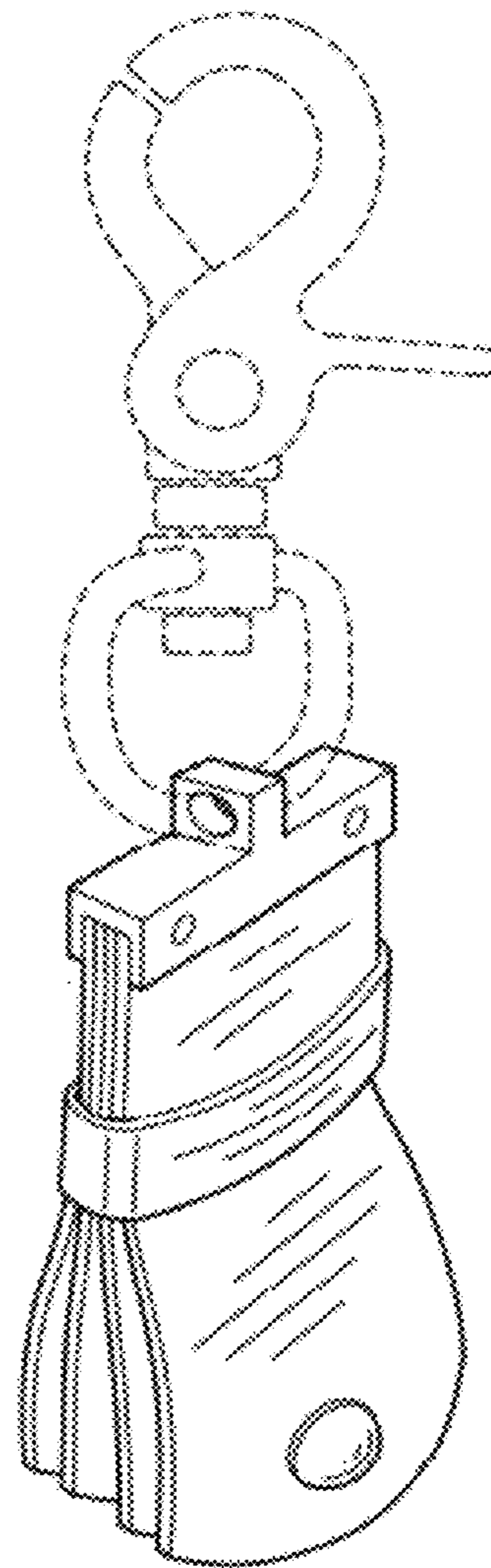


FIG. 2

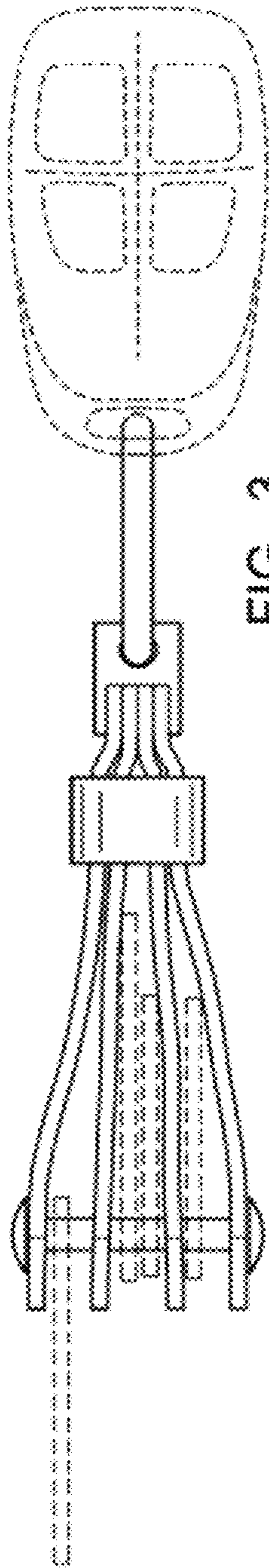


FIG. 3

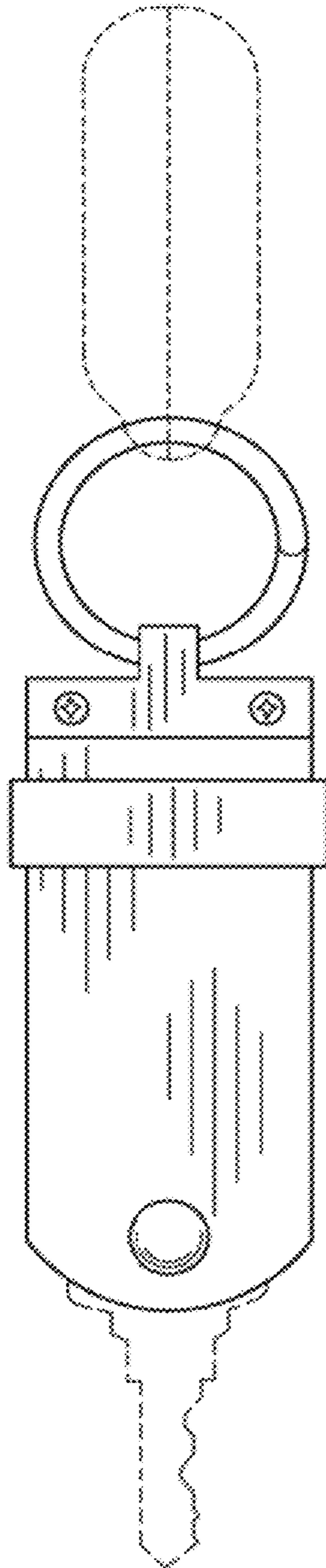


FIG. 4

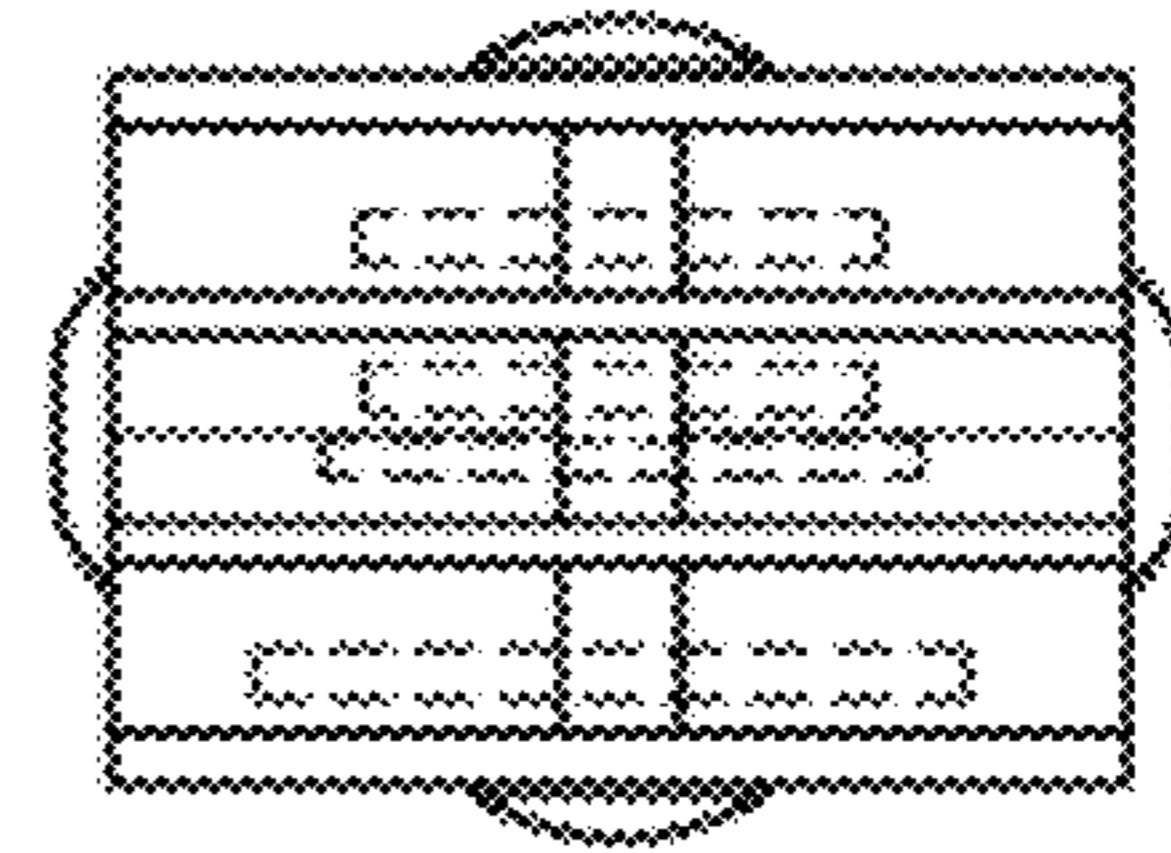


FIG. 5

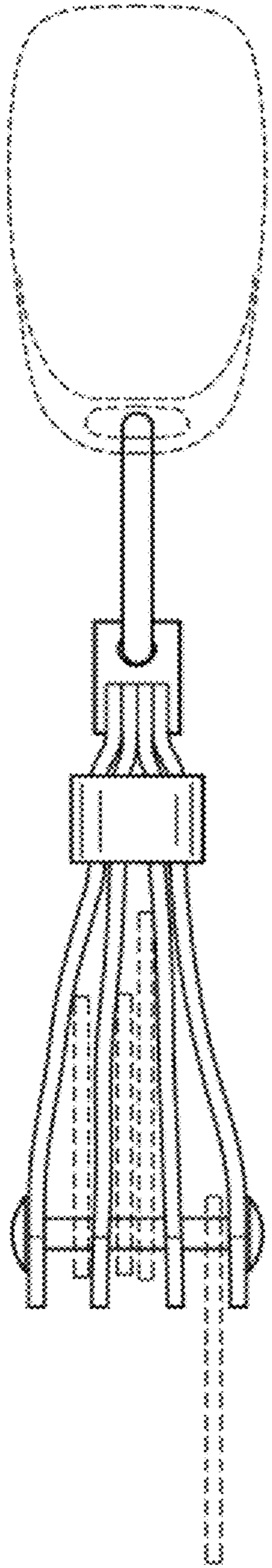


FIG. 6

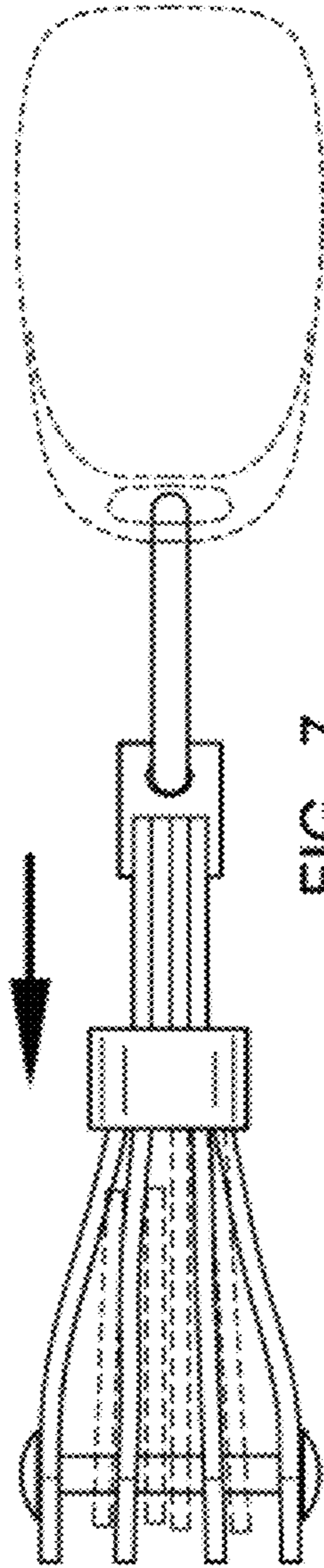


FIG. 7

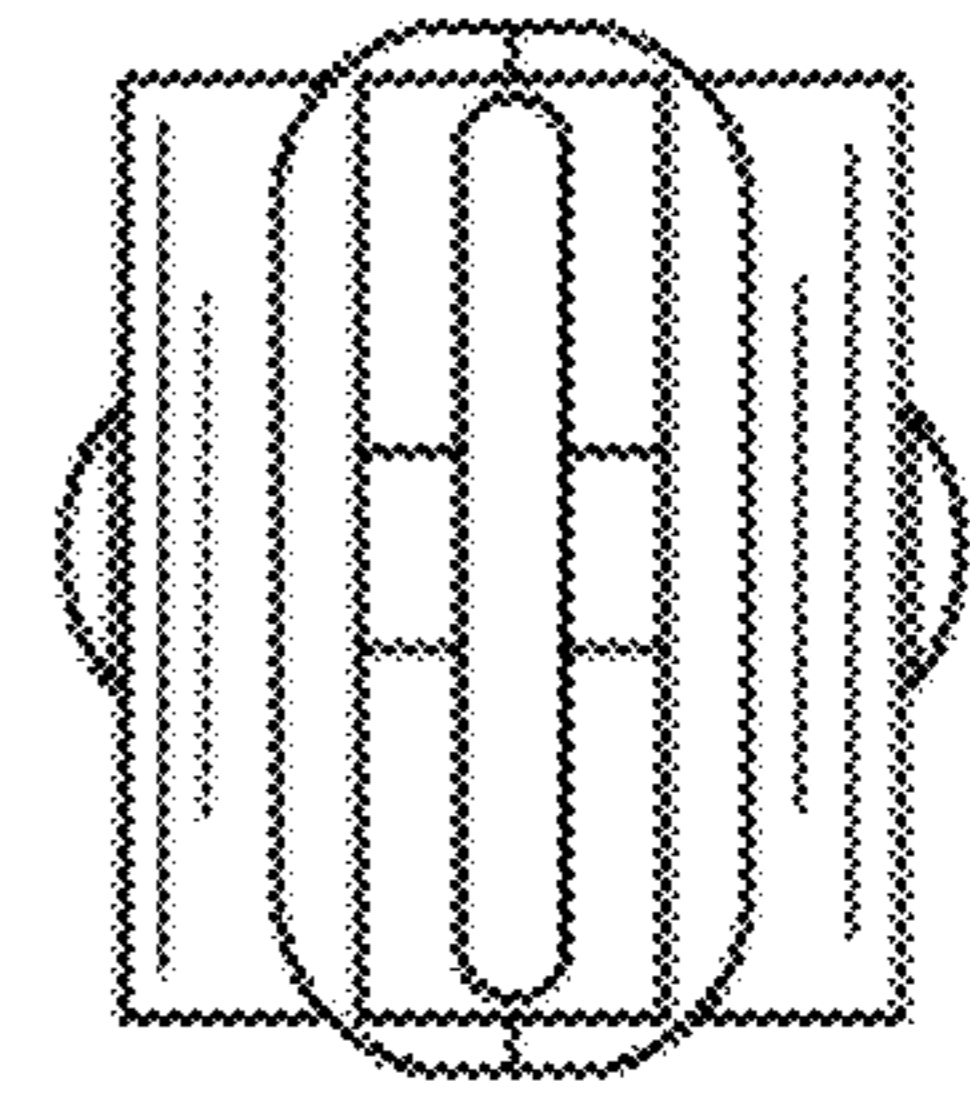


FIG. 8

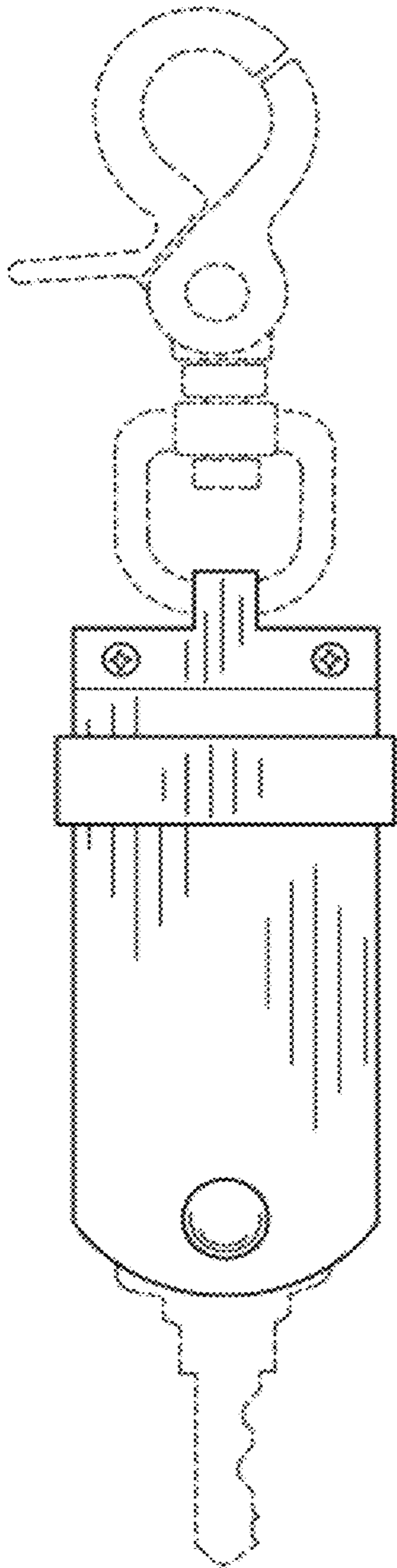


FIG. 9

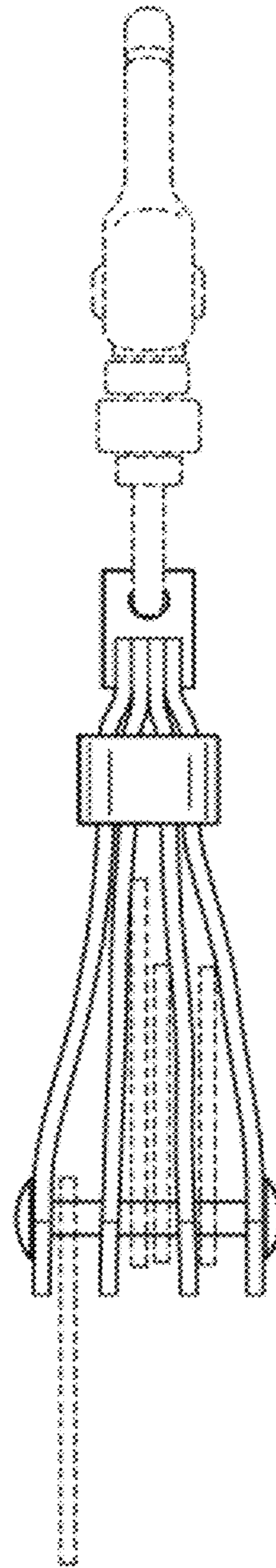


FIG. 10

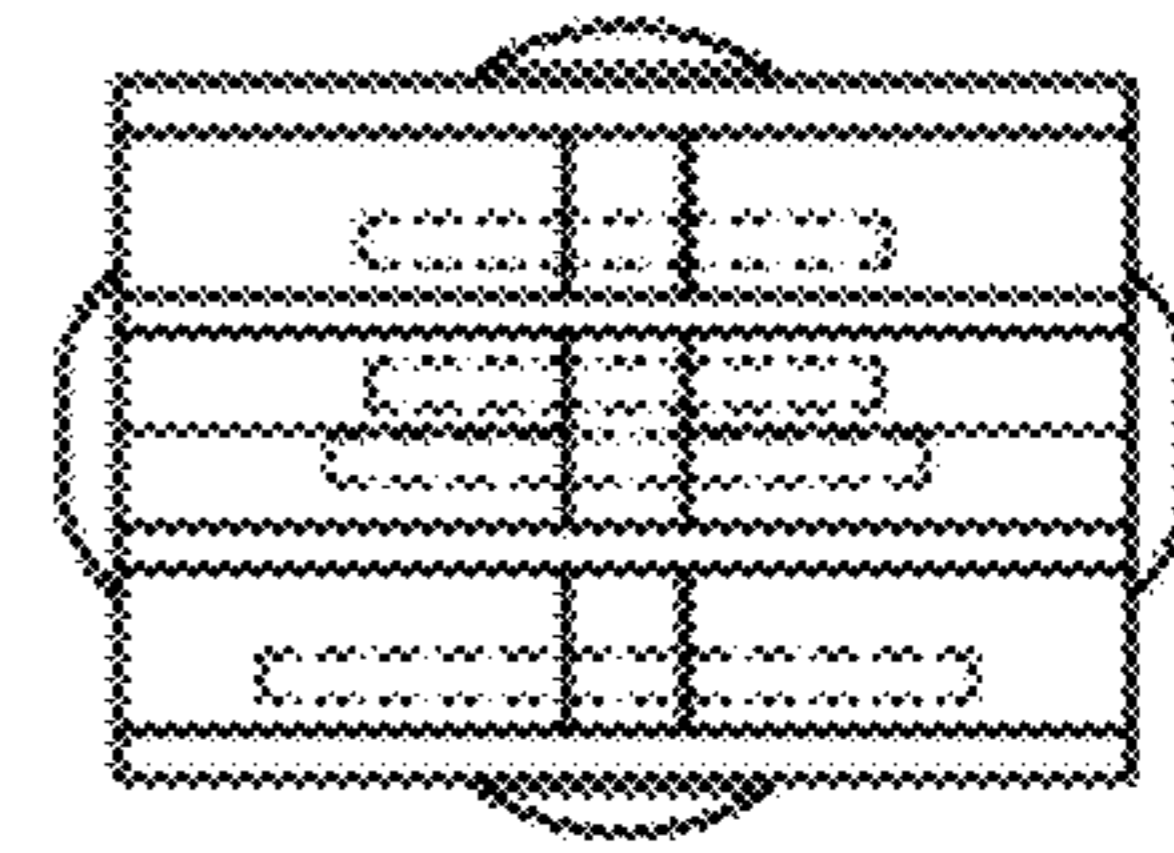


FIG. 11

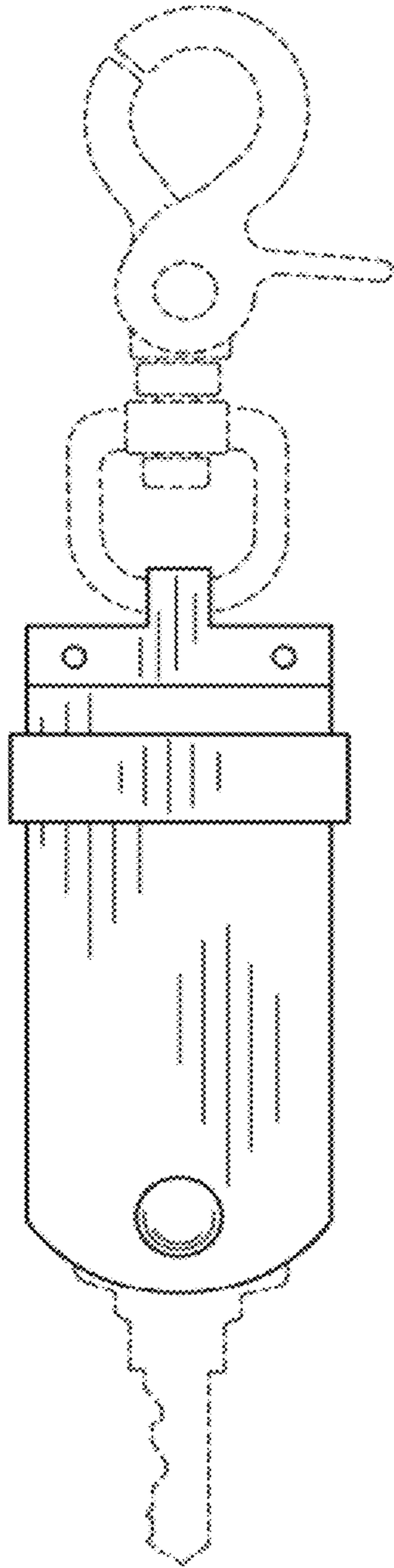


FIG. 12

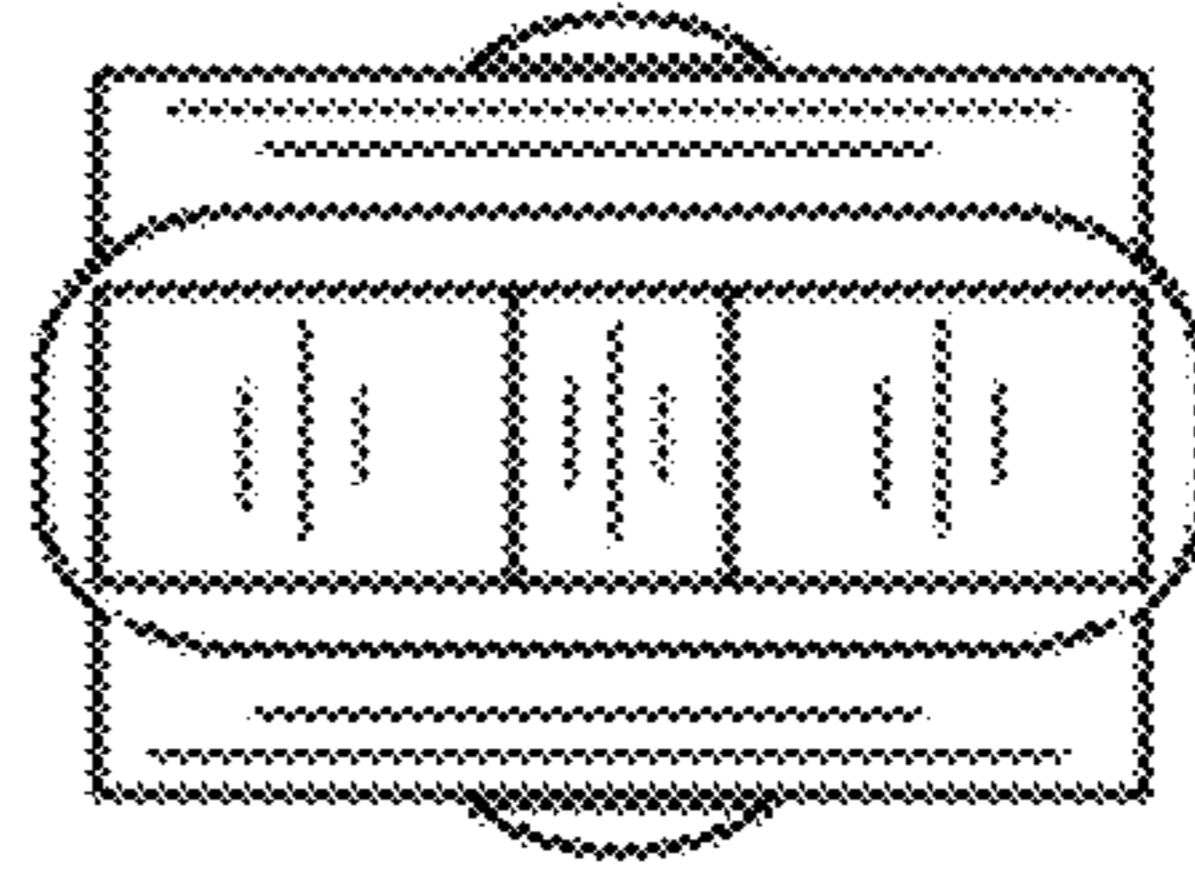


FIG. 13