



US00D677046S

(12) **United States Design Patent**
Hoogendoorn

(10) **Patent No.:** **US D677,046 S**
(45) **Date of Patent:** **** Mar. 5, 2013**

(54) **PARASOL**
(75) Inventor: **Gerrit Hoogendoorn**, Hillegom (NL)
(73) Assignee: **Senz Technologies B.V.**, Delft (NL)
(**) Term: **14 Years**
(21) Appl. No.: **29/385,033**
(22) Filed: **Feb. 8, 2011**

(30) **Foreign Application Priority Data**

Aug. 11, 2010 (EM) 001742404-0001

(51) **LOC (9) Cl.** **03-03**

(52) **U.S. Cl.** **D3/5**

(58) **Field of Classification Search** D3/5, 6,
D3/10; 135/15.1, 33.2, 20.1

See application file for complete search history.

(56) **References Cited**

U.S. PATENT DOCUMENTS

229,685 A	7/1880	Ege	
553,735 A *	1/1896	Murgatroyd	135/20.1
895,390 A	8/1908	McGuire	
1,001,076 A	8/1911	Redford	
1,749,363 A	3/1930	Venner, Jr.	
2,111,578 A	3/1938	Weaver	
2,144,141 A	1/1939	Brandon	
2,157,670 A	5/1939	Ono	
2,725,066 A	11/1955	Estes et al.	
2,948,289 A	8/1960	Owczarek	
3,042,055 A *	7/1962	Todorovic	135/20.1
3,069,021 A	12/1962	Gray	
3,252,468 A	5/1966	Militano	
3,456,661 A	7/1969	Farley	
D228,975 S	10/1973	Schertz	
3,765,433 A	10/1973	Futamura et al.	
4,368,749 A	1/1983	Lindler et al.	
4,934,394 A	6/1990	Hermanson	
D342,378 S	12/1993	Pedorella	
5,372,155 A	12/1994	You	
5,505,221 A	4/1996	Gao	
5,555,903 A	9/1996	Rizzotti	

5,611,364 A	3/1997	Woods et al.	
D379,116 S	5/1997	Selberg	
5,690,131 A	11/1997	Voigt	
5,826,604 A	10/1998	Hartmann	
D419,759 S	2/2000	Goudarzi	
6,082,383 A	7/2000	Wilson	
D437,109 S	2/2001	Muscella	
6,216,712 B1	4/2001	Lin et al.	
6,247,483 B1	6/2001	Tung	
6,298,867 B1	10/2001	Chang	
6,418,950 B1	7/2002	Tseng	
6,484,452 B2	11/2002	Yen	
D503,036 S	3/2005	Di Cesare	
6,941,959 B2	9/2005	Kung-Tai	
7,210,491 B2	5/2007	Su	
7,225,821 B2	6/2007	Su	
7,484,518 B2	2/2009	Brader	
D599,103 S	9/2009	Hoogendoorn et al.	
7,588,041 B2	9/2009	Huang	
7,665,476 B2 *	2/2010	Lisciandro et al.	135/20.1
D618,899 S	7/2010	Hoogendoorn et al.	

(Continued)

FOREIGN PATENT DOCUMENTS

AU	572753	9/1985
BE	381251	7/1931

(Continued)

Primary Examiner — John Windmuller
(74) *Attorney, Agent, or Firm* — The Webb Law Firm

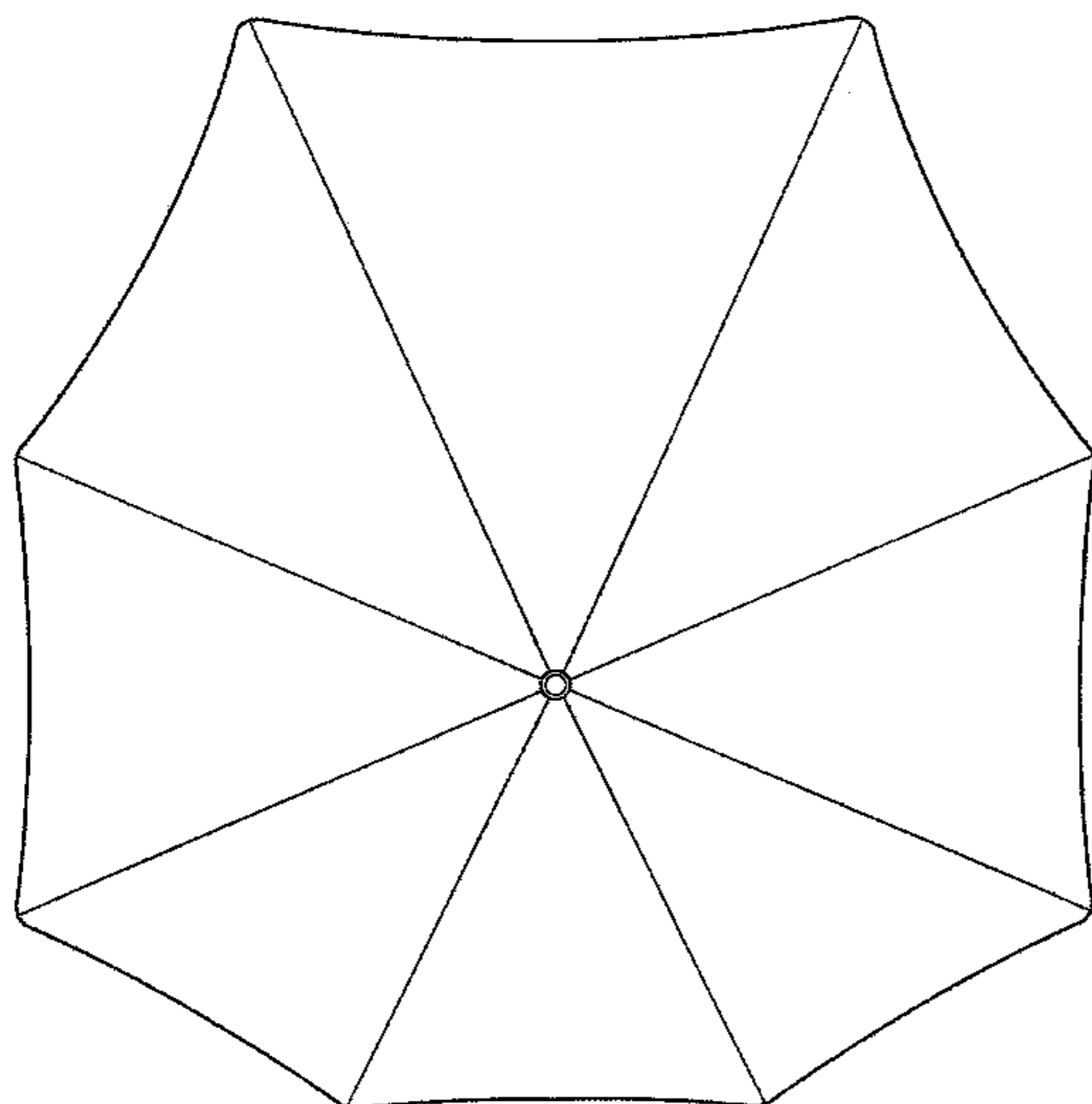
(57) **CLAIM**

The ornamental design for a parasol, as shown and described.

DESCRIPTION

FIG. 1 is a top view of a parasol in accordance with my new design;
FIG. 2 is a right perspective view thereof;
FIG. 3 is a front view thereof;
FIG. 4 is a back view thereof;
FIG. 5 is a right side view thereof;
FIG. 6 is a left side view thereof; and,
FIG. 7 is a bottom view thereof.

1 Claim, 7 Drawing Sheets



US D677,046 S

Page 2

U.S. PATENT DOCUMENTS

D623,393 S * 9/2010 You D3/5
D625,507 S * 10/2010 Quinn D3/5
D627,148 S * 11/2010 Quinn D3/5
D650,984 S * 12/2011 Pineda D3/10
8,091,962 B2 * 1/2012 Quinn 297/184.16
2008/0149152 A1 * 6/2008 Huang 135/20.1
2011/0048480 A1 3/2011 Riera et al.

FOREIGN PATENT DOCUMENTS

BE 1015996 A3 1/2006
DE 58359 8/1891
DE 3708921 A1 9/1988

DE 19635030 A1 3/1998
EP 0444965 A1 9/1991
EP 0829598 A1 3/1998
FR 1380763 A 12/1964
FR 2598895 A1 11/1987
GB 191029101 A 12/1911
GB 2197672 A 5/1988
NL 1001475 C2 4/1997
WO 0160193 A1 8/2001
WO 2005102098 A1 11/2005
WO 2006049706 A2 5/2006

* cited by examiner

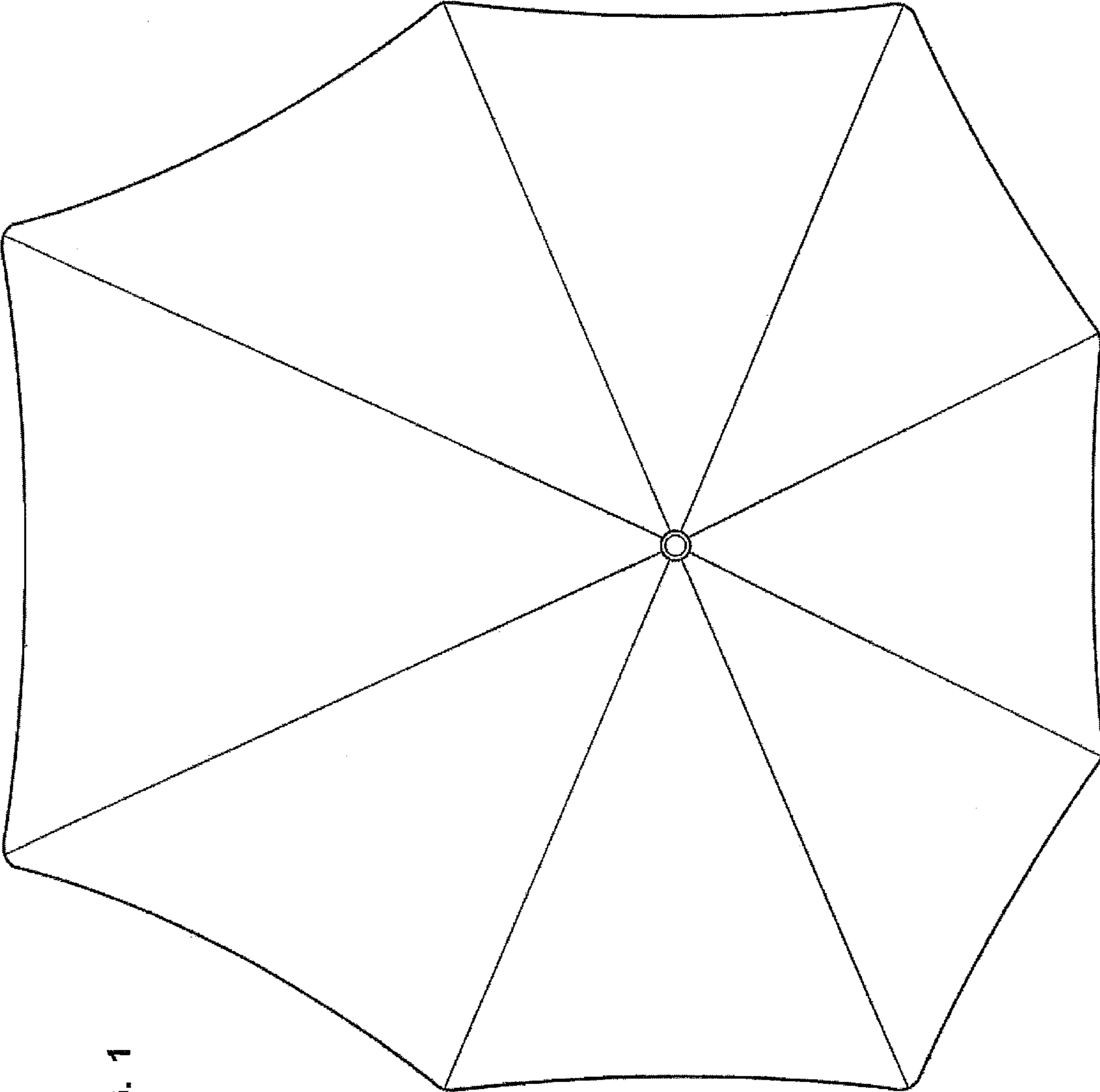
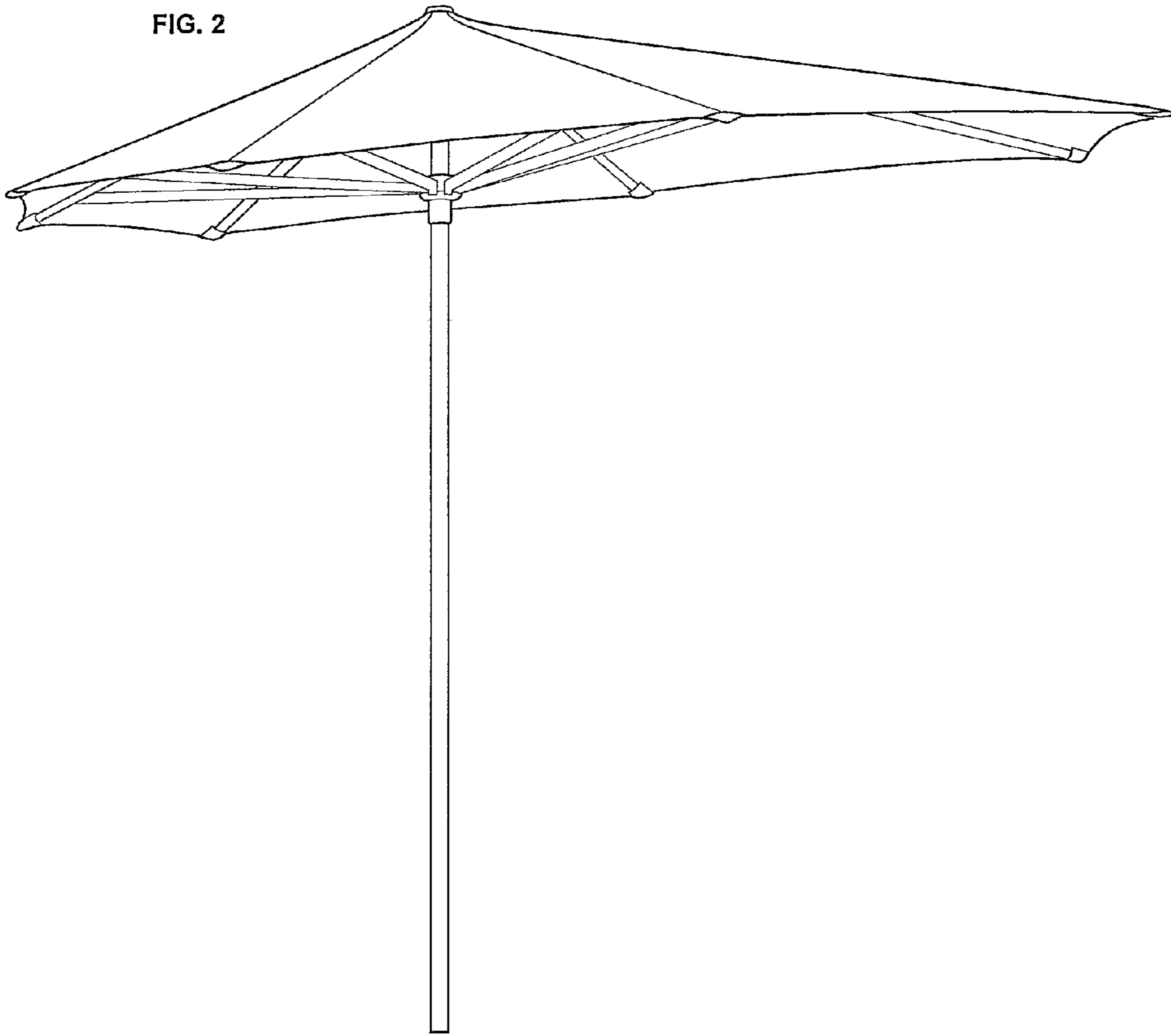


FIG. 1

FIG. 2



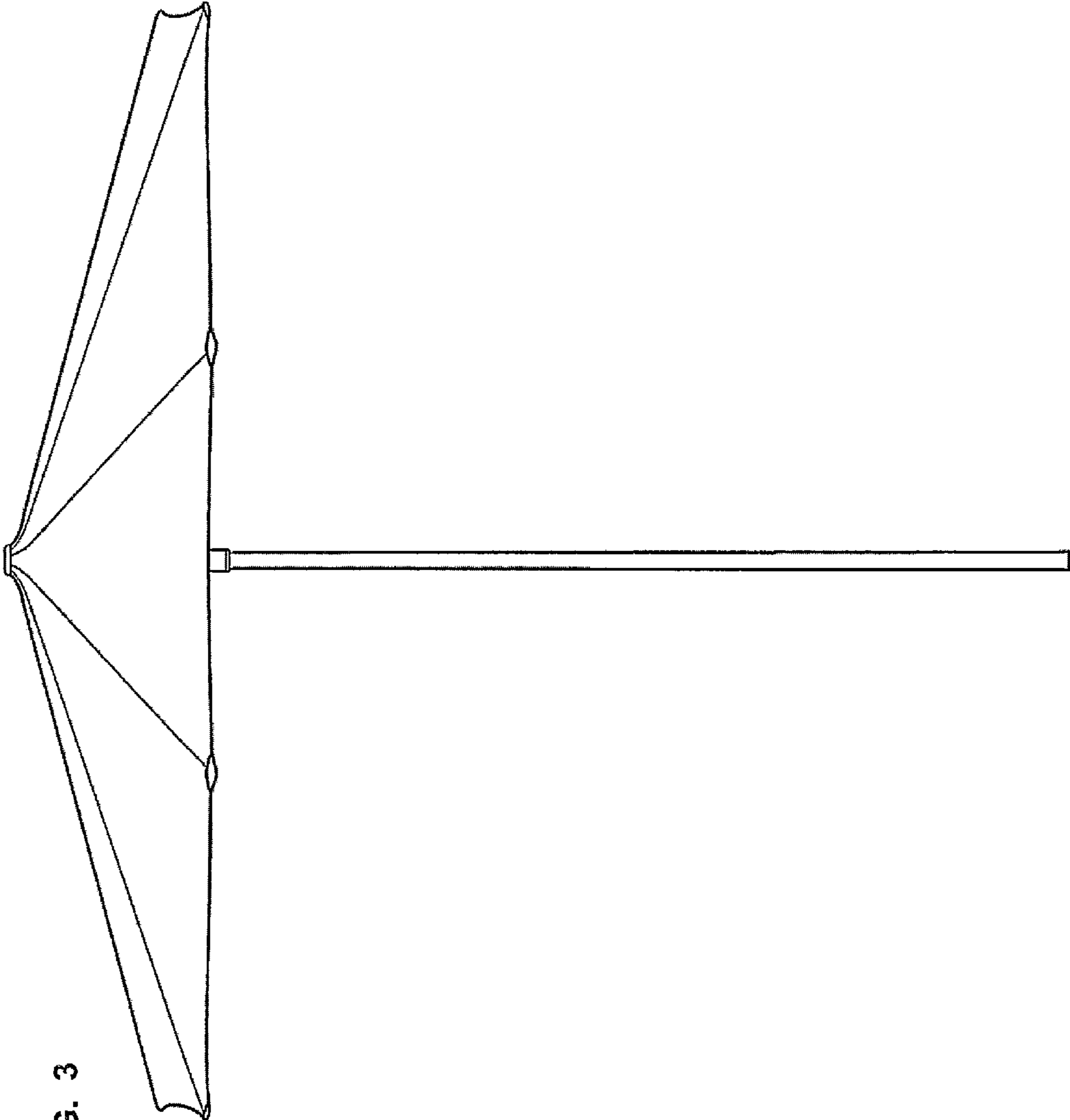


FIG. 3

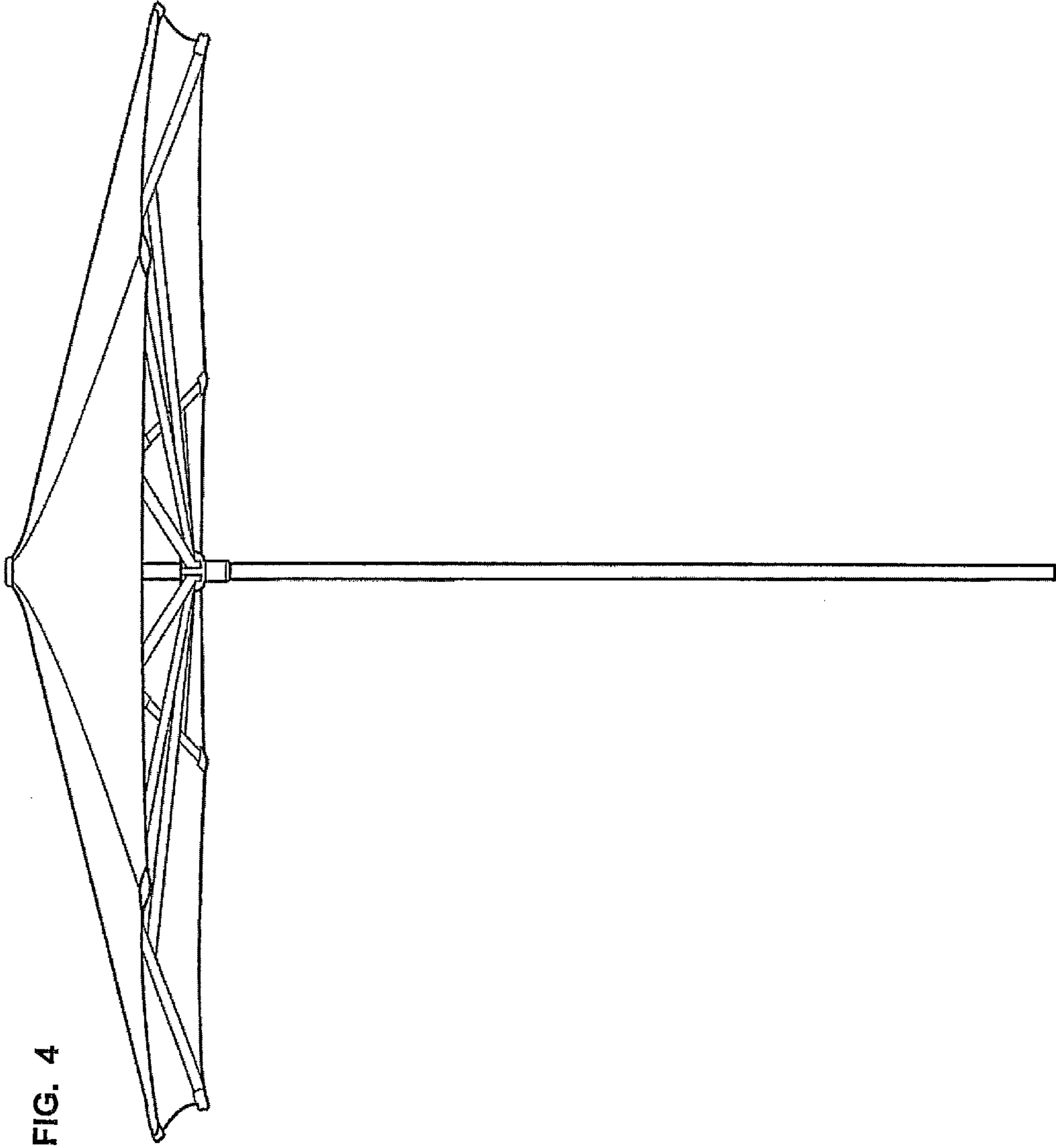


FIG. 4

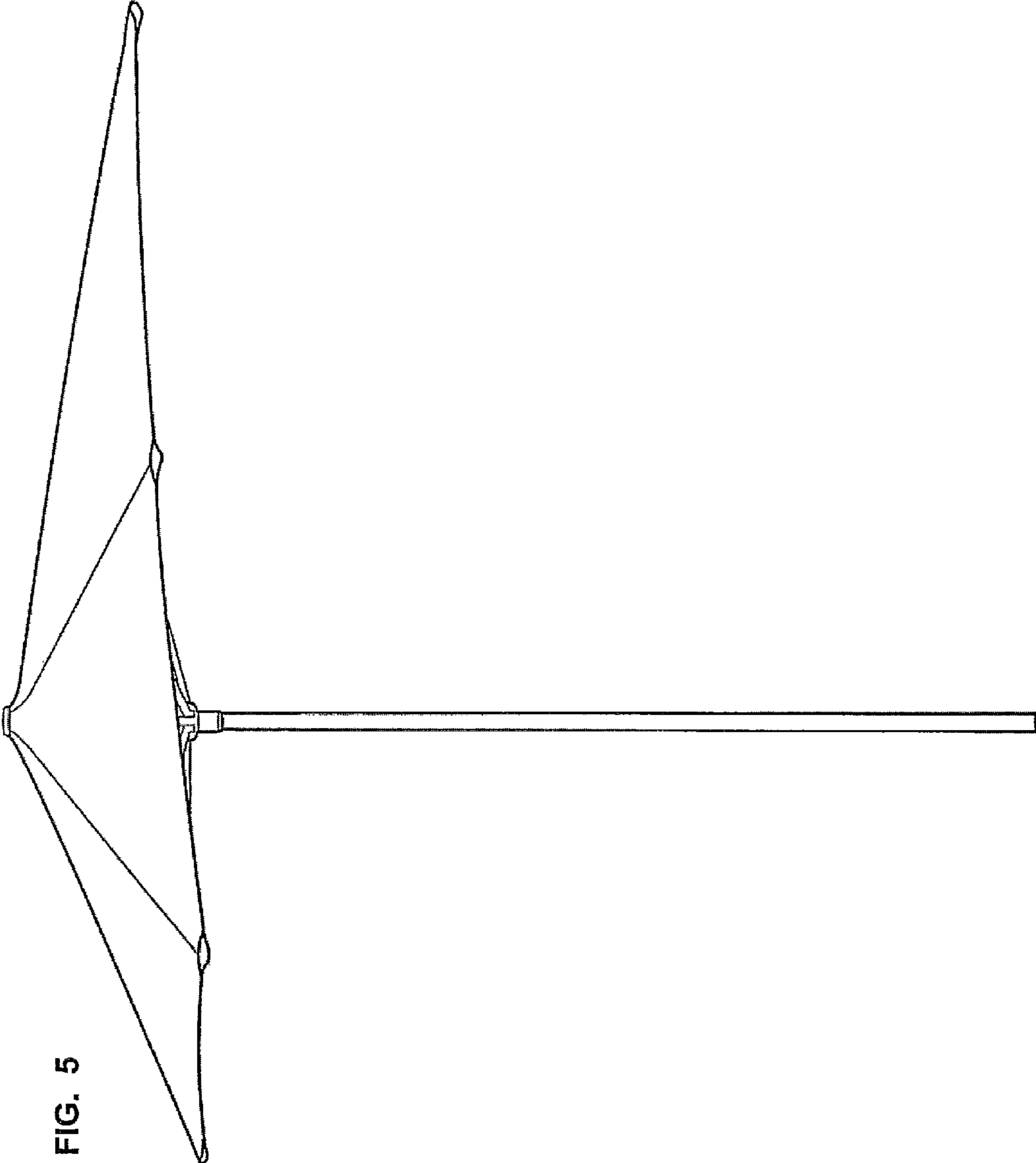


FIG. 5

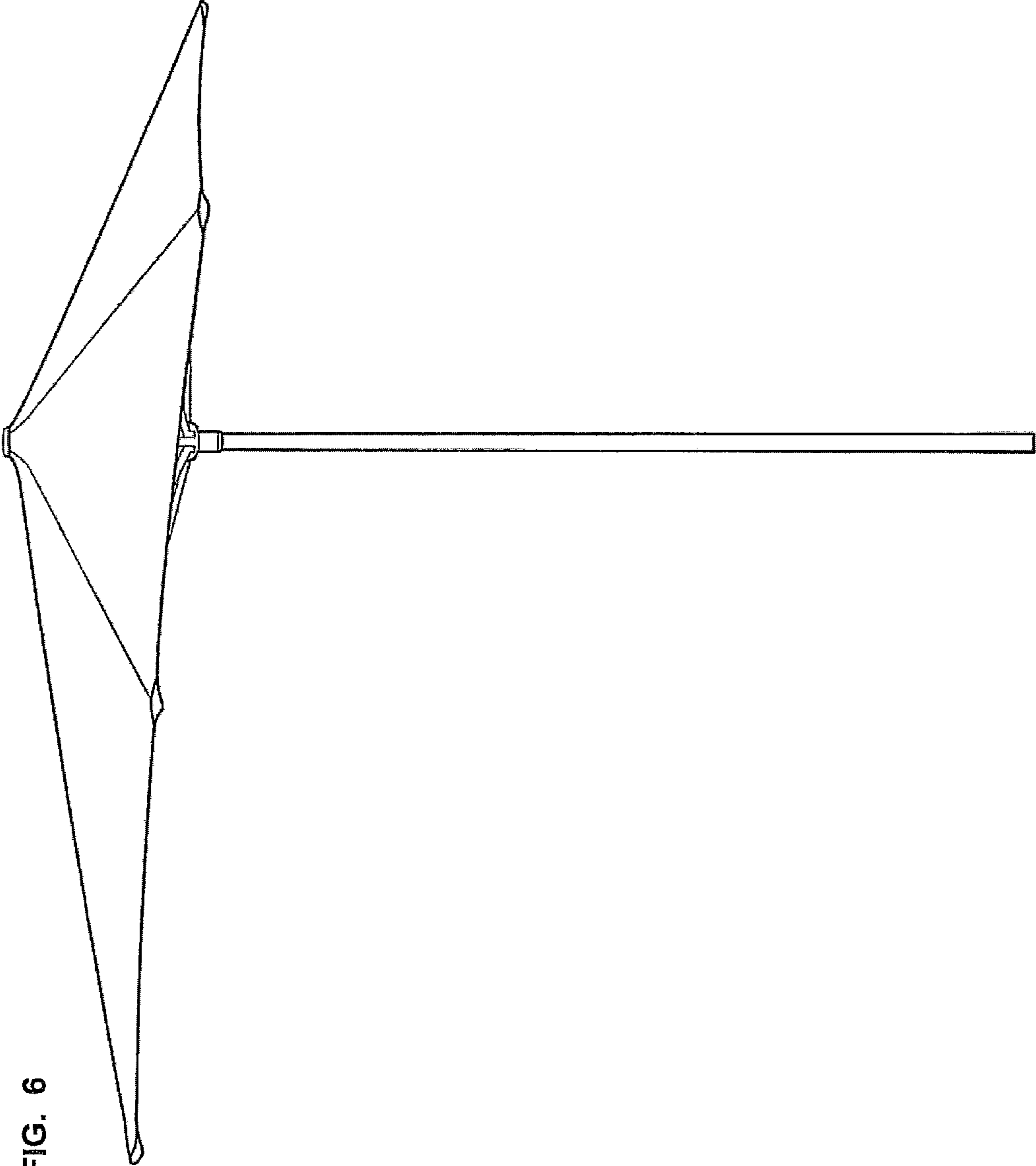


FIG. 6

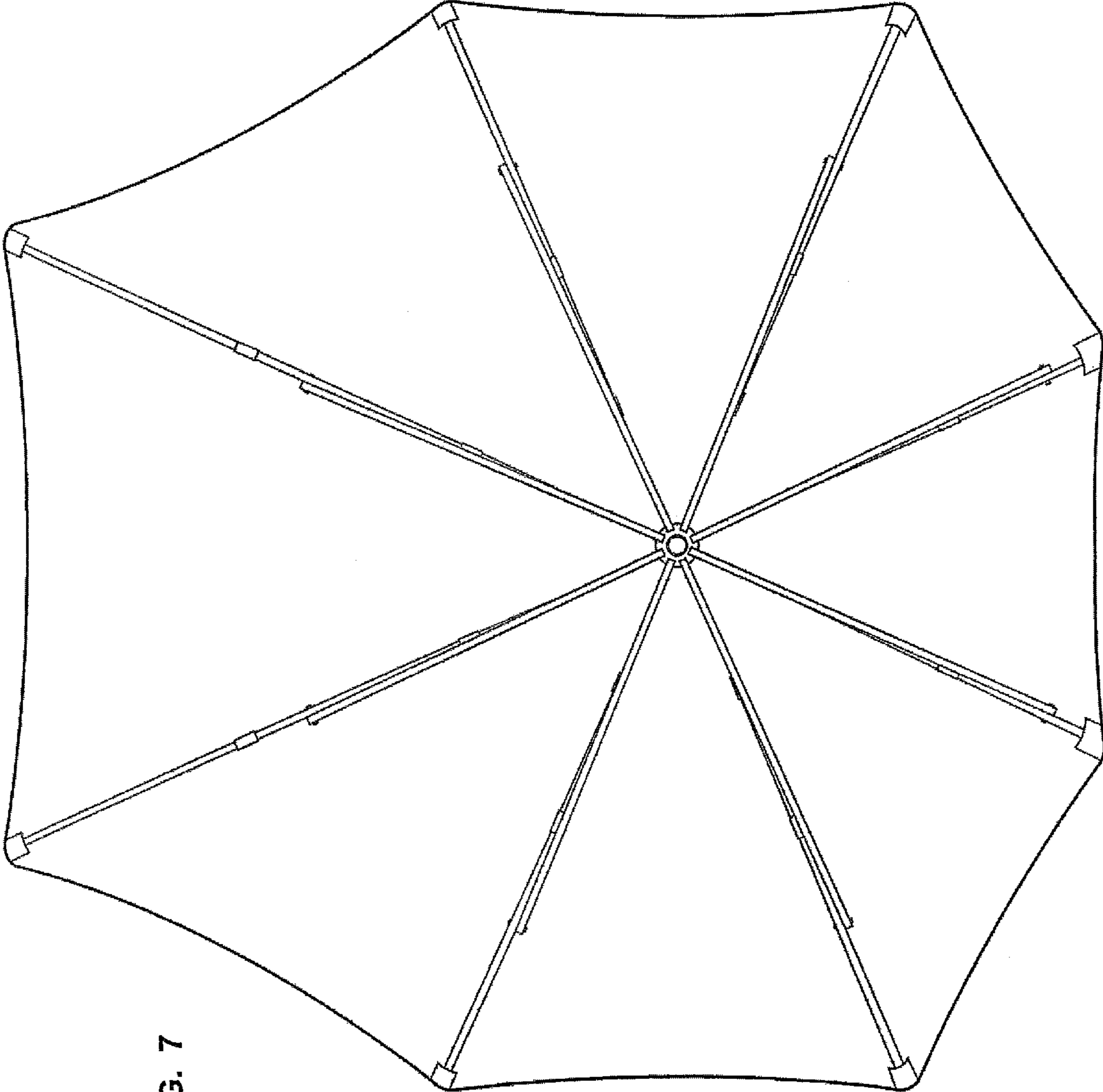


FIG. 7