



US00D677045S

(12) **United States Design Patent**
Voskuil

(10) **Patent No.:** **US D677,045 S**

(45) **Date of Patent:** **** Mar. 5, 2013**

(54) **ORNAMENT FOR SHOES**

(75) Inventor: **Frans Voskuil**, Grou (NL)

(73) Assignee: **Frans Voskuil**, Grou (NL)

(**) Term: **14 Years**

(21) Appl. No.: **29/389,643**

(22) Filed: **Apr. 14, 2011**

(30) **Foreign Application Priority Data**

Oct. 14, 2010 (EM) 001768409

(51) **LOC (9) Cl.** **02-99**

(52) **U.S. Cl.** **D2/976; D2/946; D2/978**

(58) **Field of Classification Search** D2/946,
D2/976, 978; D11/202, 30, 79; D20/22,
D20/27, 28; 40/636

See application file for complete search history.

(56) **References Cited**

U.S. PATENT DOCUMENTS

895,522	A *	8/1908	Weil	D2/976
1,053,974	A *	2/1913	Cohen	D2/976
D56,727	S *	12/1920	Ordway	D2/976
4,597,198	A	7/1986	Schweitzer		
D292,442	S *	10/1987	Wadsworth	D2/976
4,958,459	A *	9/1990	Davidson	36/136
D404,770	S *	1/1999	Meade et al.	D20/28
D406,177	S *	2/1999	Milroy	D20/27
6,188,324	B1 *	2/2001	Meschkow et al.	36/136
D460,857	S *	7/2002	Milroy	D2/976
D545,531	S *	7/2007	Miller et al.	D2/946
D548,432	S *	8/2007	Martin	D2/946
D550,430	S *	9/2007	Martin, Jr.	D2/946
D593,314	S *	6/2009	Stewart-White	D2/976
D613,938	S *	4/2010	Alexander	D2/976
D627,146	S *	11/2010	Kantor et al.	D2/976
2011/0162236	A1	7/2011	Voskuil et al.		

FOREIGN PATENT DOCUMENTS

WO 201005282 A1 1/2010

* cited by examiner

Primary Examiner — Dominic Simone

(74) *Attorney, Agent, or Firm* — Hoffman & Baron, LLP

(57) **CLAIM**

The ornamental design for an ornament for shoes, as shown and described.

DESCRIPTION

FIG. 1 is a perspective view of a first embodiment of my new ornament secured to a set of laces;
 FIG. 2 is a top view thereof;
 FIG. 3 is a bottom view thereof;
 FIG. 4 is a top perspective view thereof;
 FIG. 5 is a perspective view of a third embodiment of my new ornament secured to a set of laces;
 FIG. 6 is a top view thereof;
 FIG. 7 is a bottom view thereof;
 FIG. 8 is a top perspective view thereof;
 FIG. 9 is a perspective view of a fourth embodiment of my new ornament secured to a set of laces;
 FIG. 10 is a top view thereof;
 FIG. 11 is a bottom view thereof;
 FIG. 12 is a top perspective view thereof;
 FIG. 13 is a perspective view of a sixth embodiment of my new ornament secured to a set of laces;
 FIG. 14 is a top view thereof;
 FIG. 15 is a bottom view thereof;
 FIG. 16 is a top perspective view thereof;
 FIG. 17 is a perspective view of a seventh embodiment of my new ornament secured to a set of laces;
 FIG. 18 is a top view thereof;
 FIG. 19 is a bottom view thereof; and
 FIG. 20 is a top perspective view thereof.

The subject matter shown in broken lines is for illustrative purposes only and forms no part of the claimed design.

1 Claim, 20 Drawing Sheets

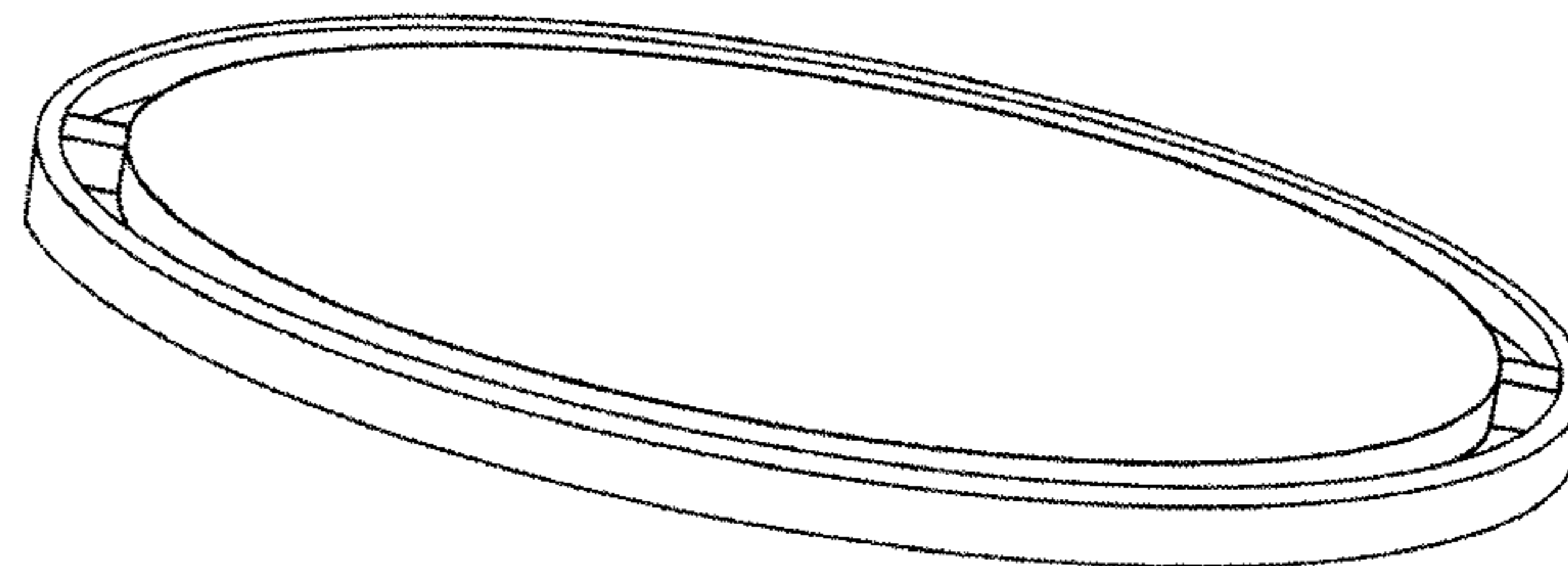
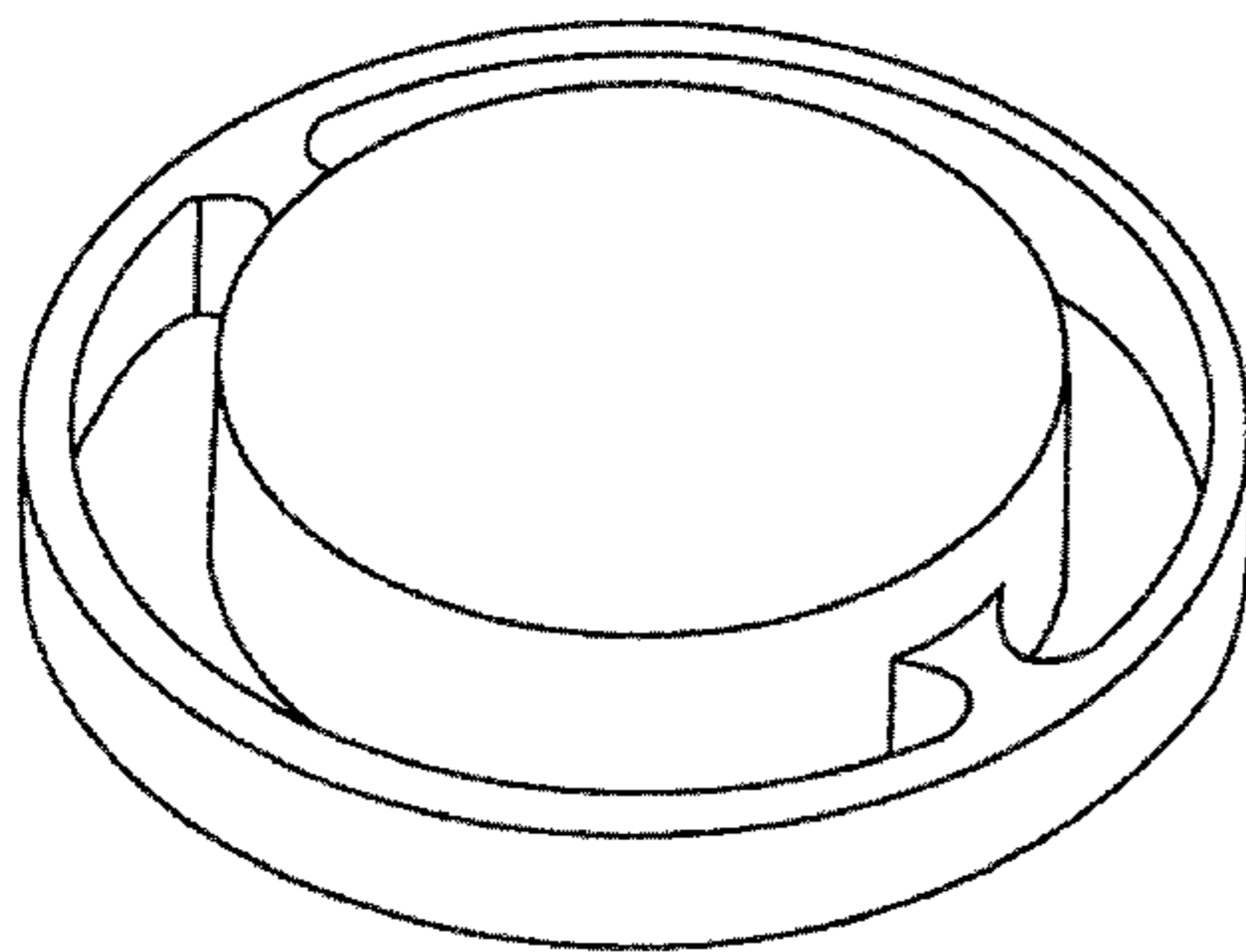
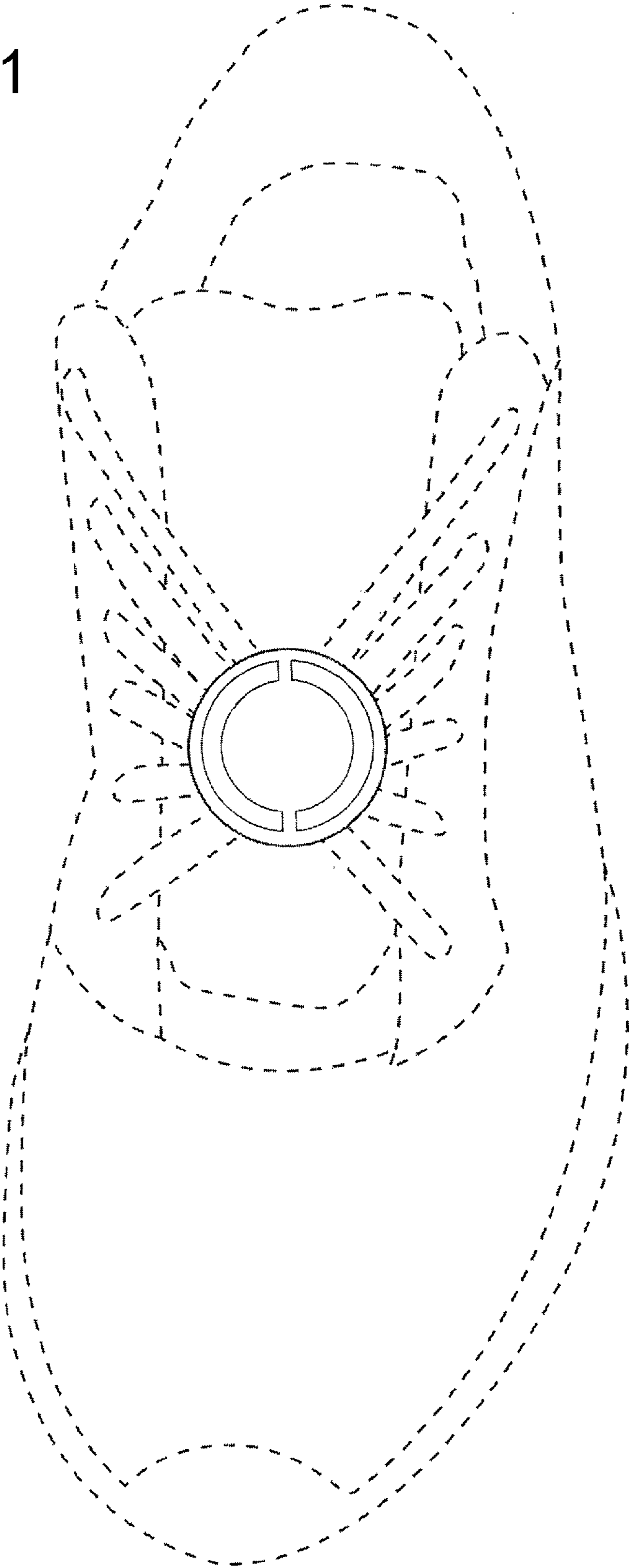


Fig. 1



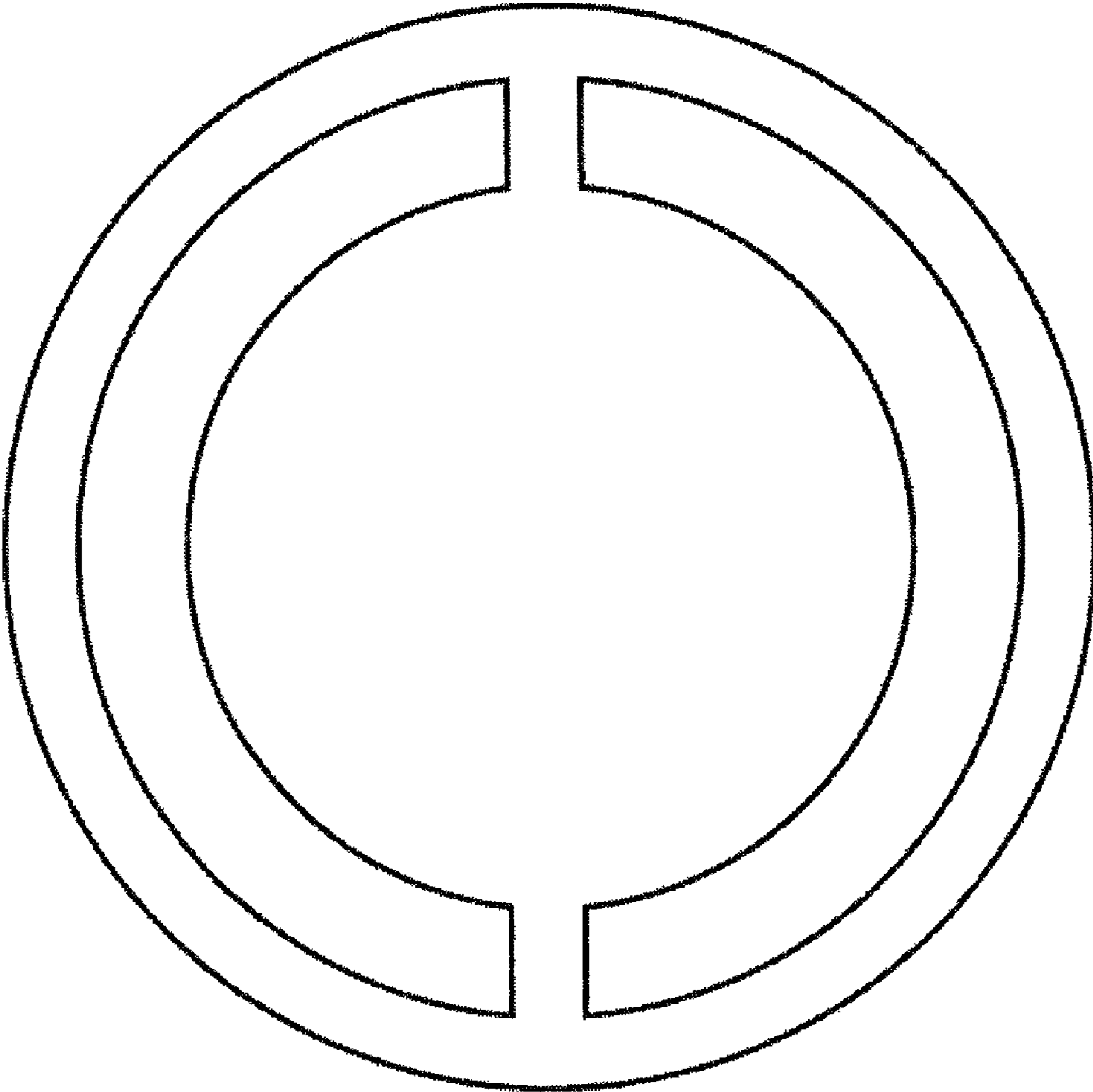


Fig. 2

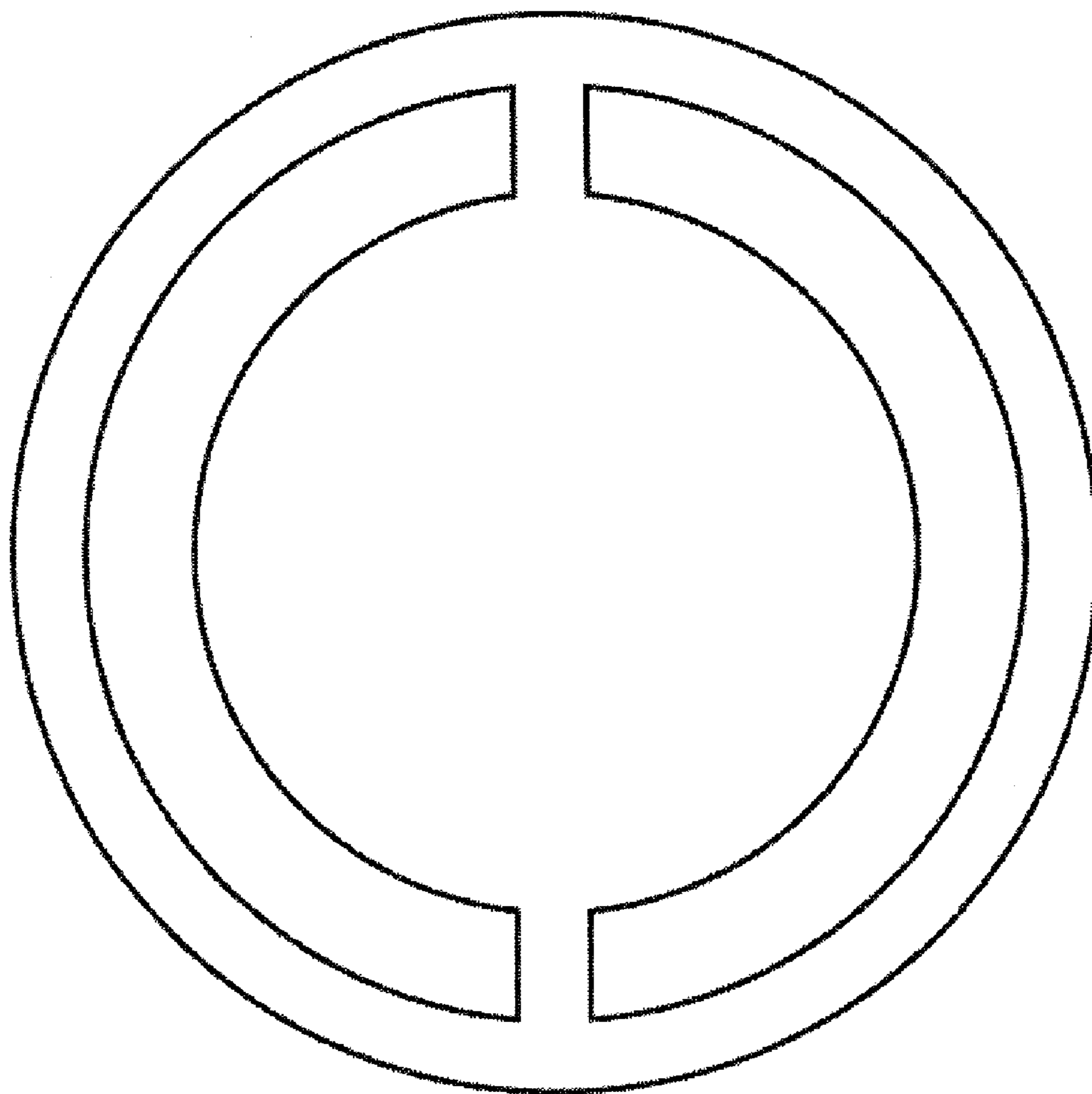


Fig. 3

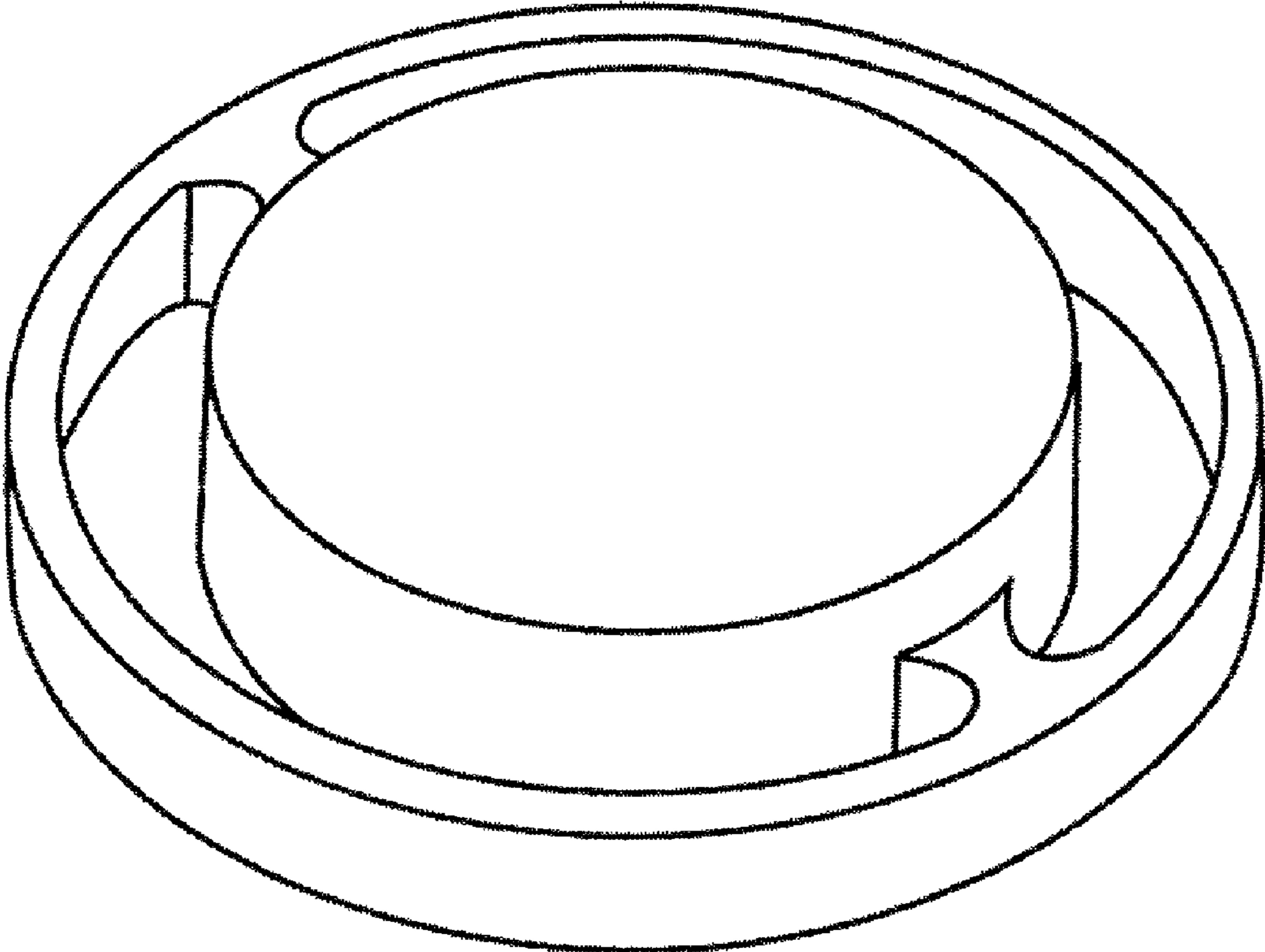
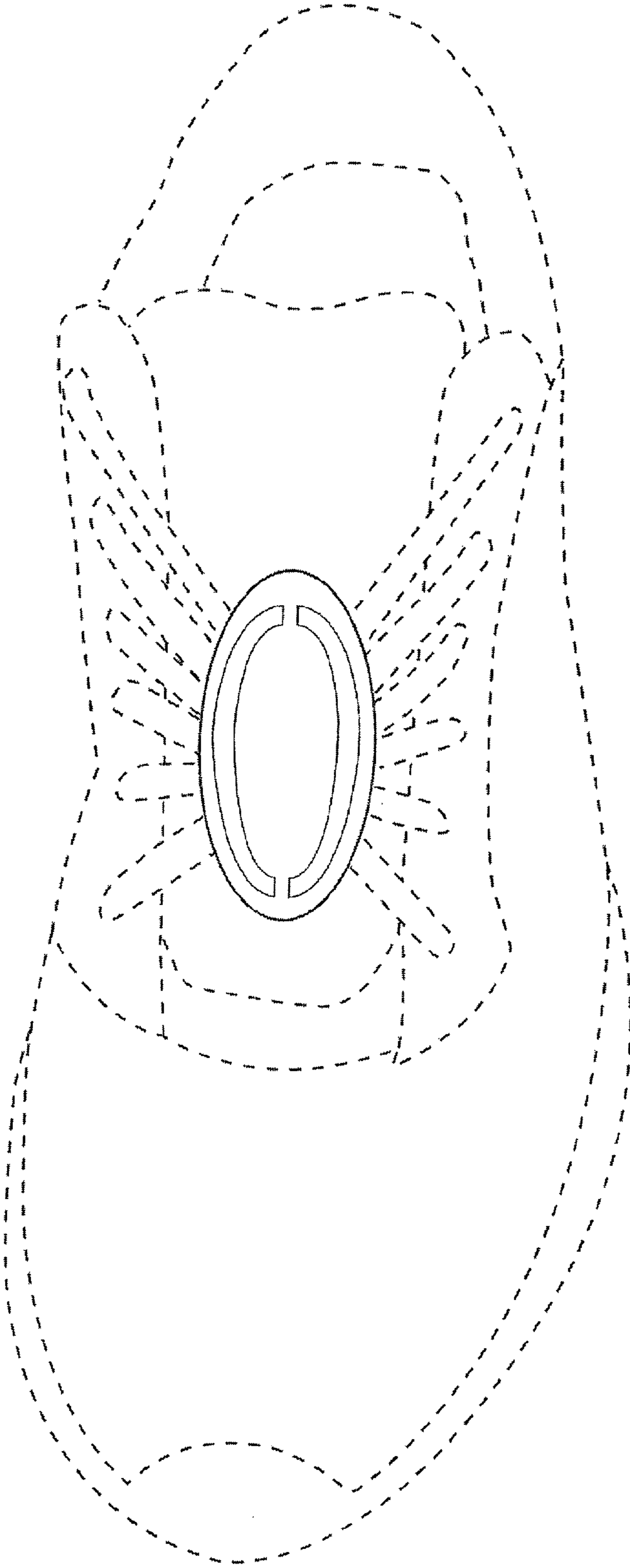


Fig. 4

Fig 5



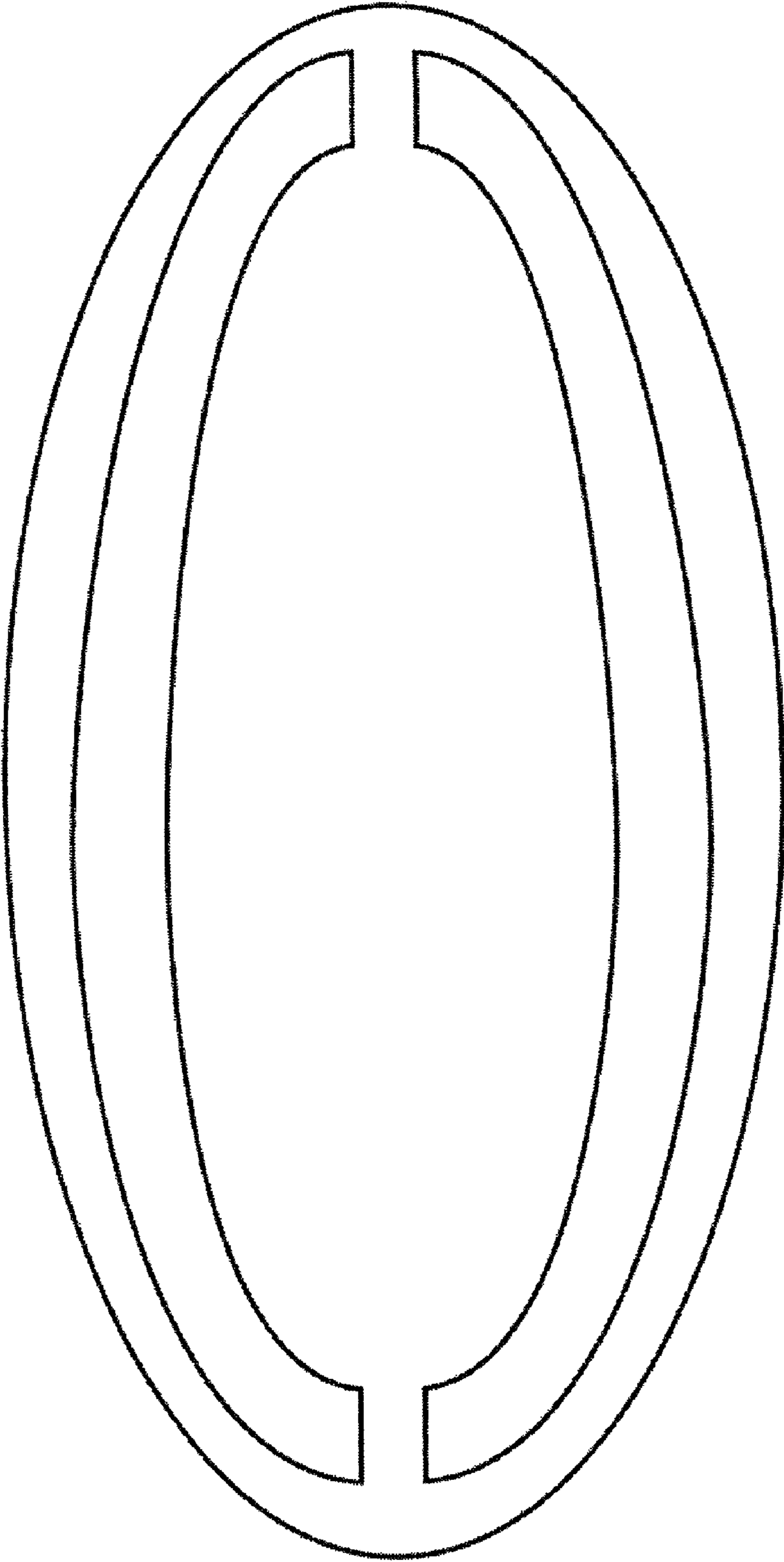


Fig. 6

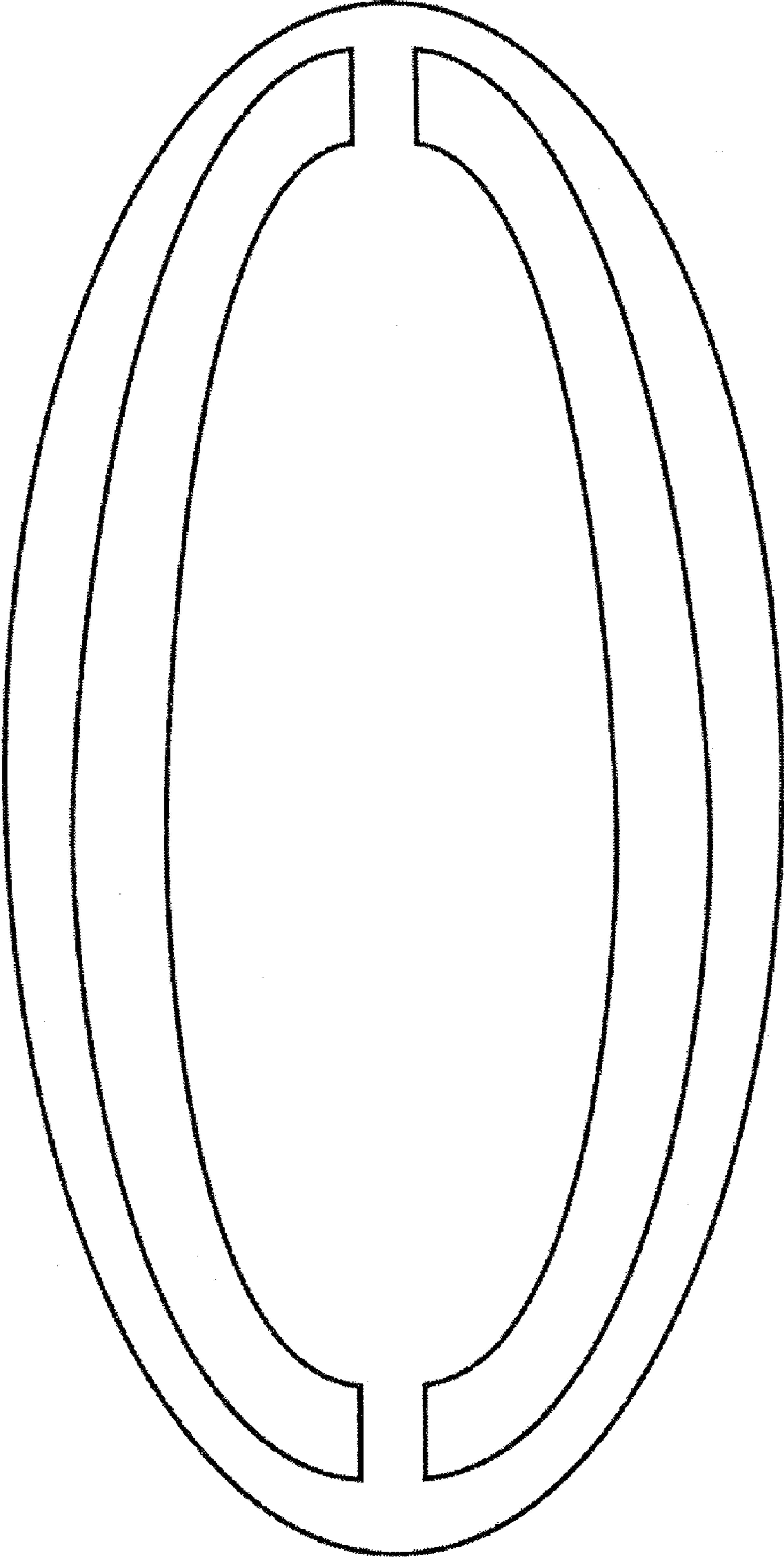


Fig. 7

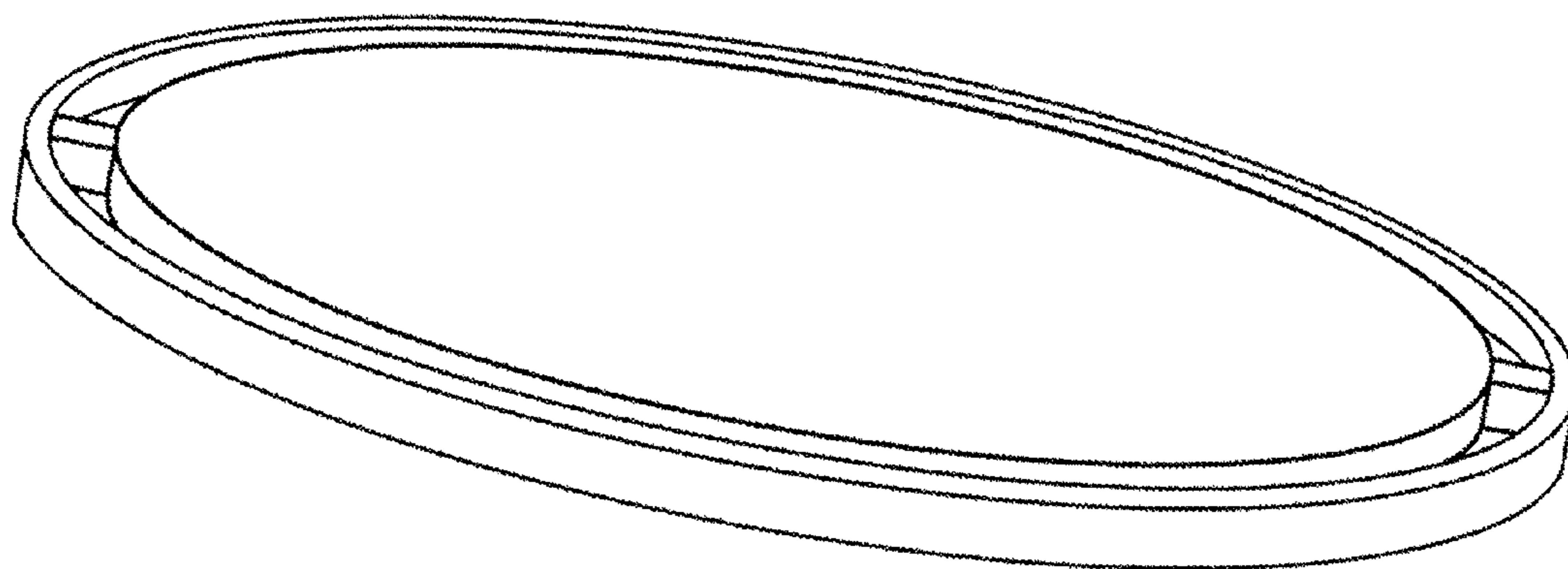
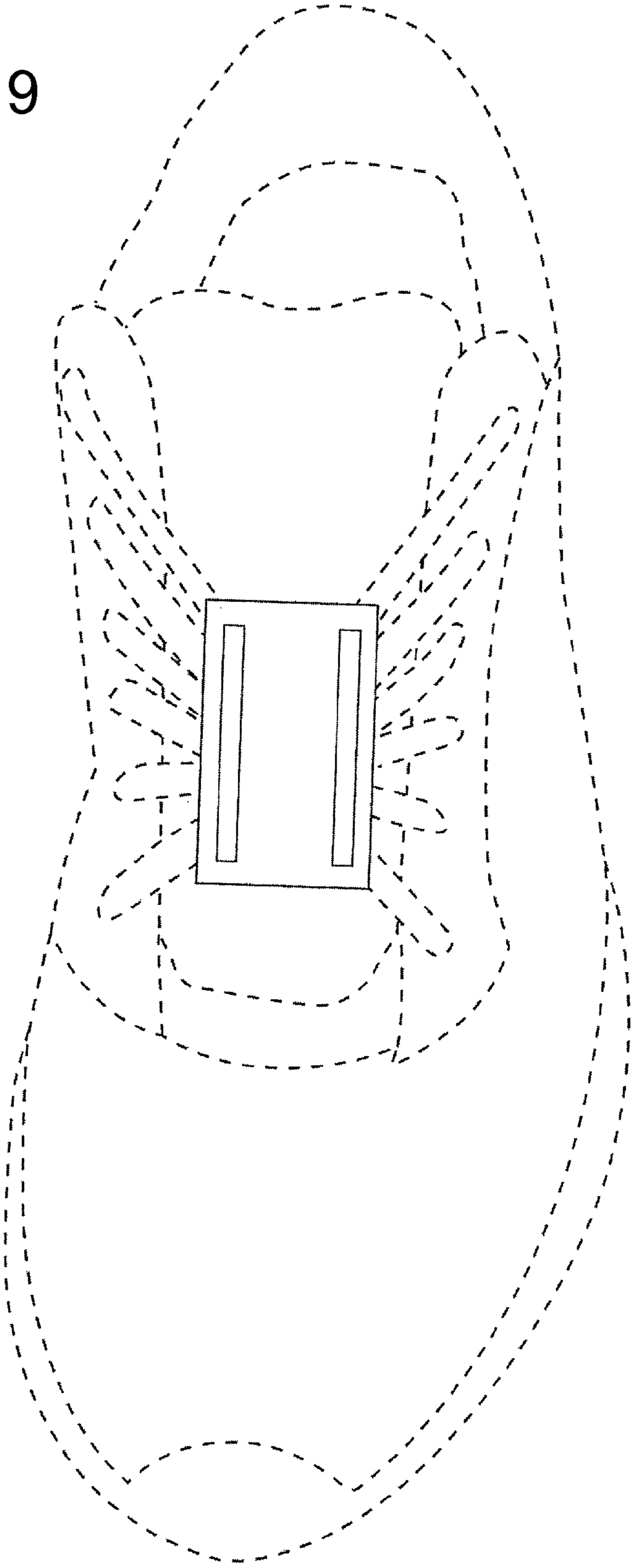


Fig. 8

Fig. 9



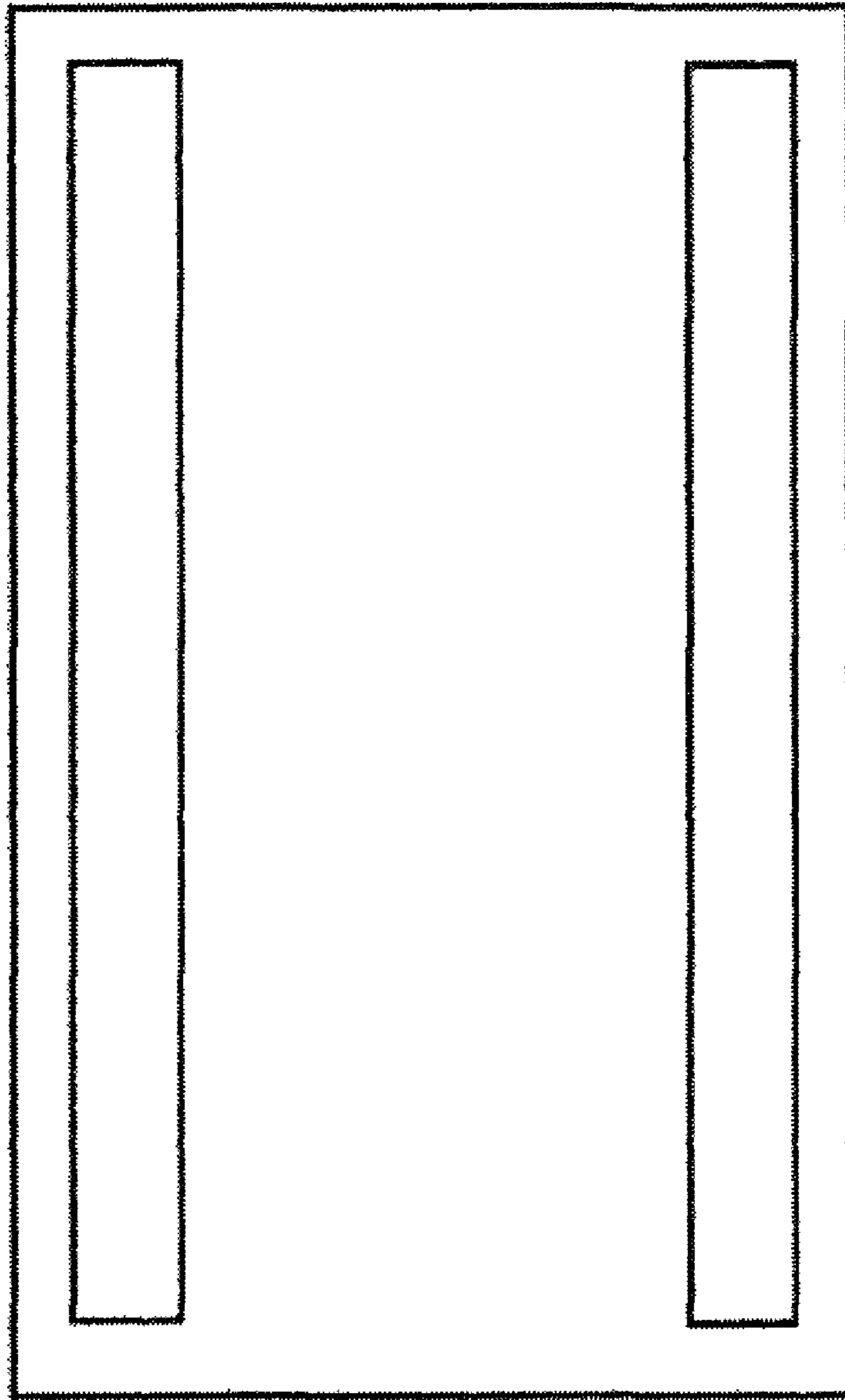


Fig. 10

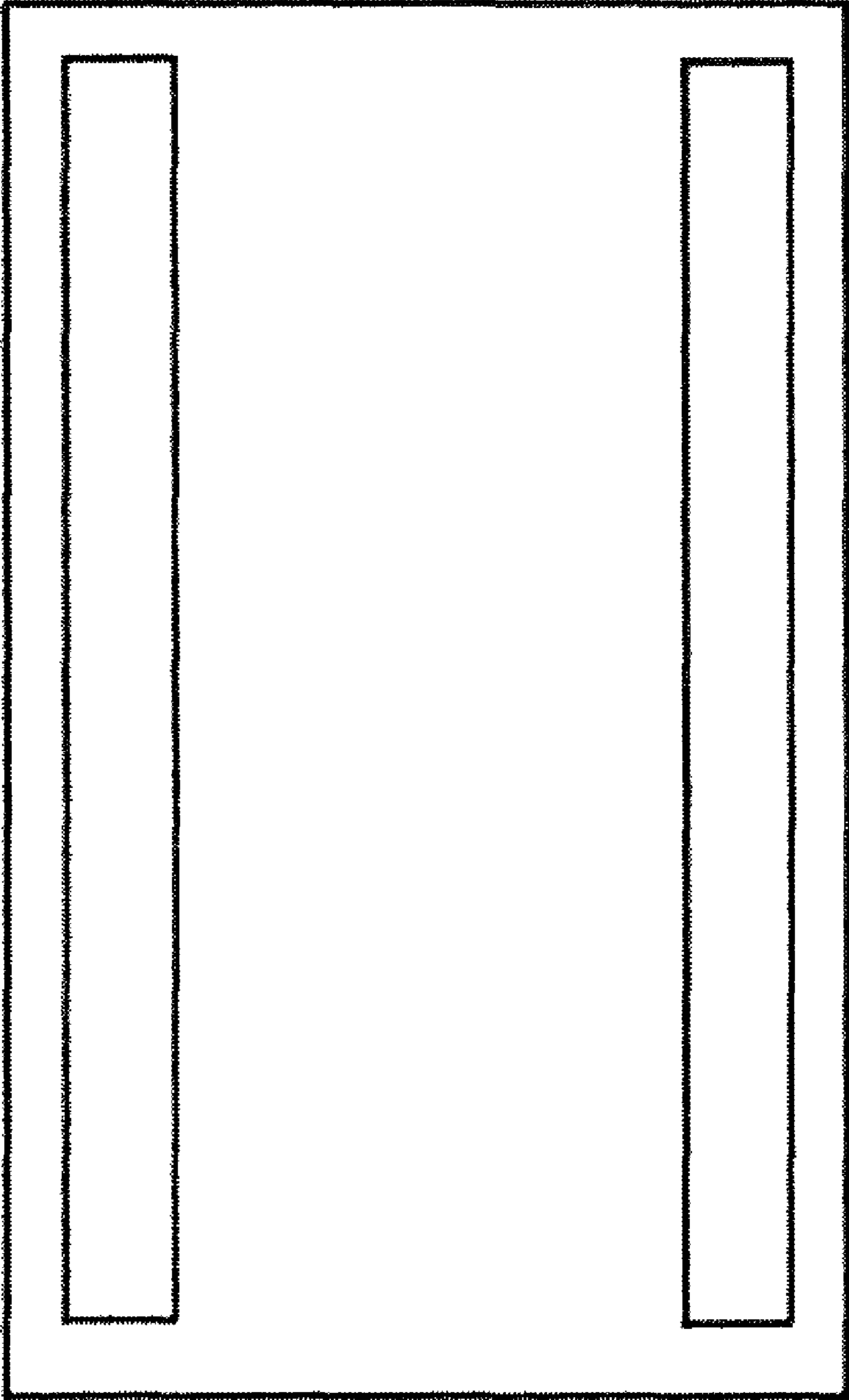


Fig. 11

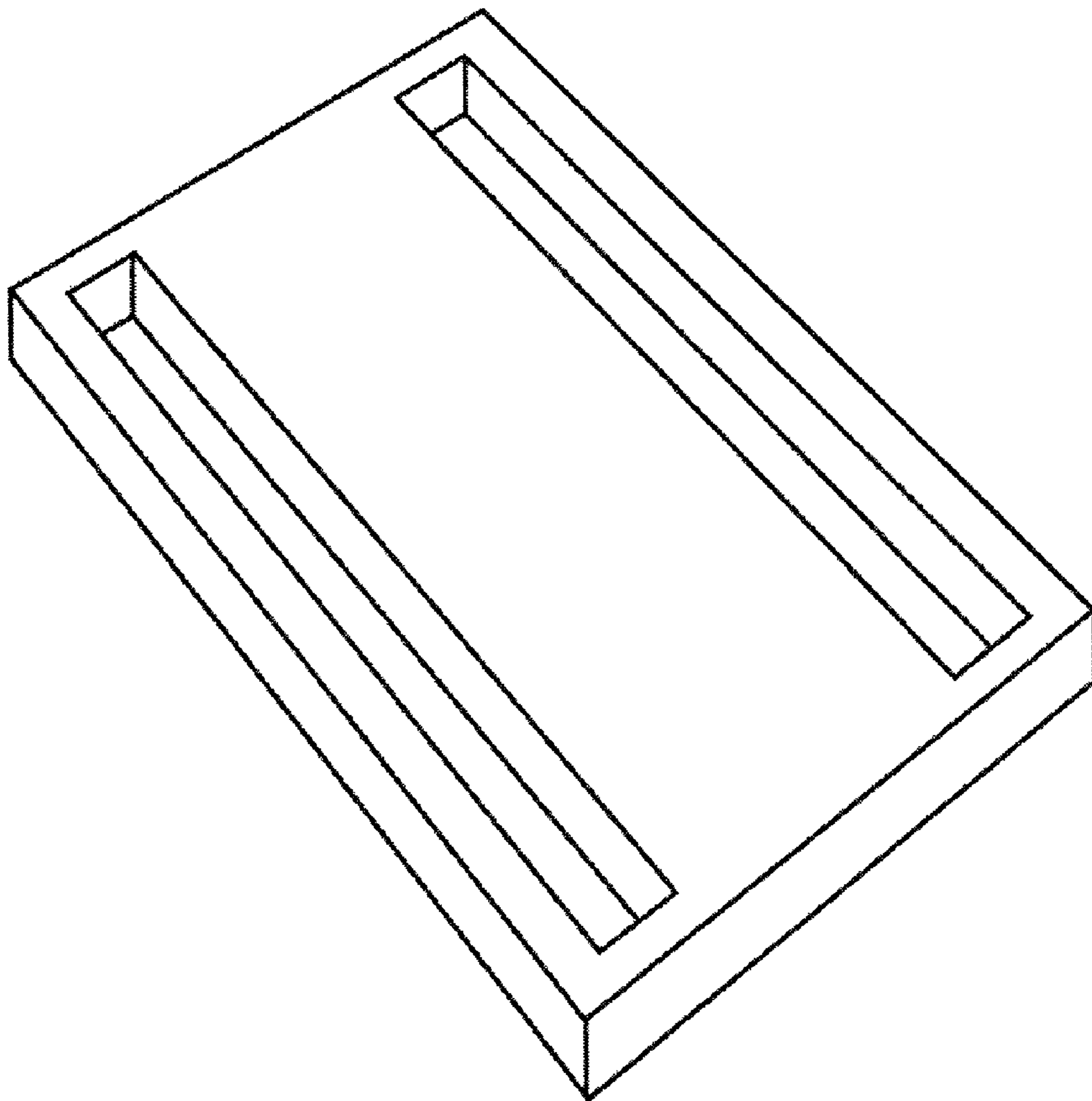
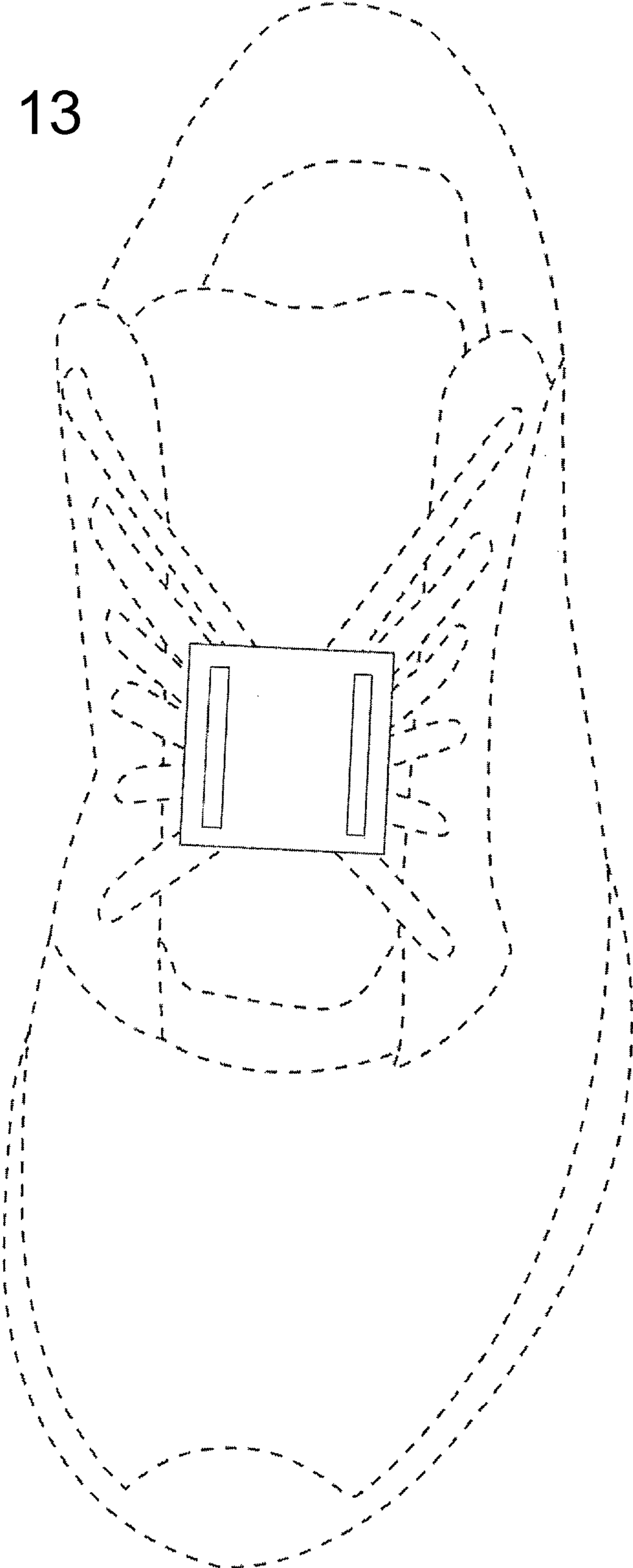


Fig. 12

Fig. 13



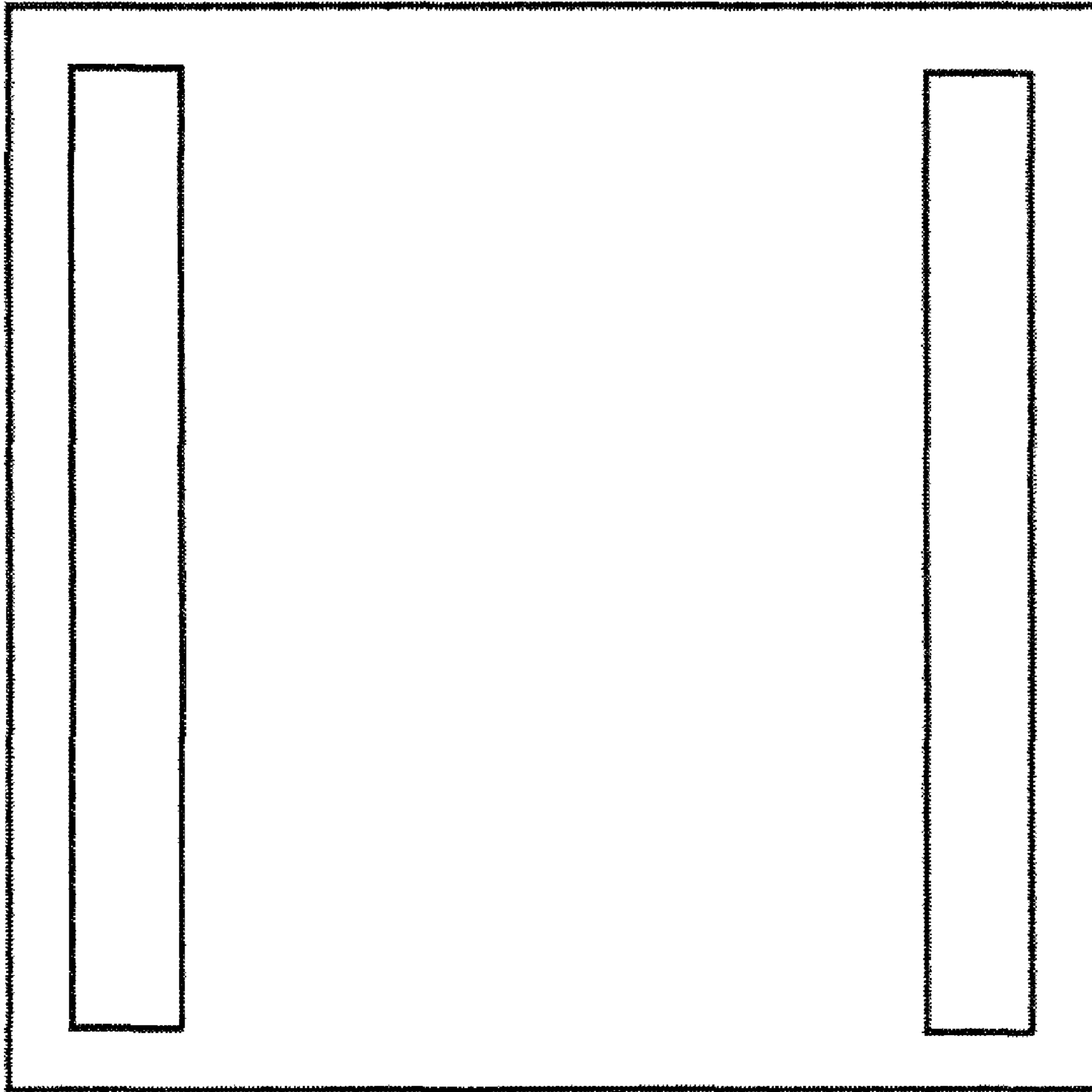


Fig. 14

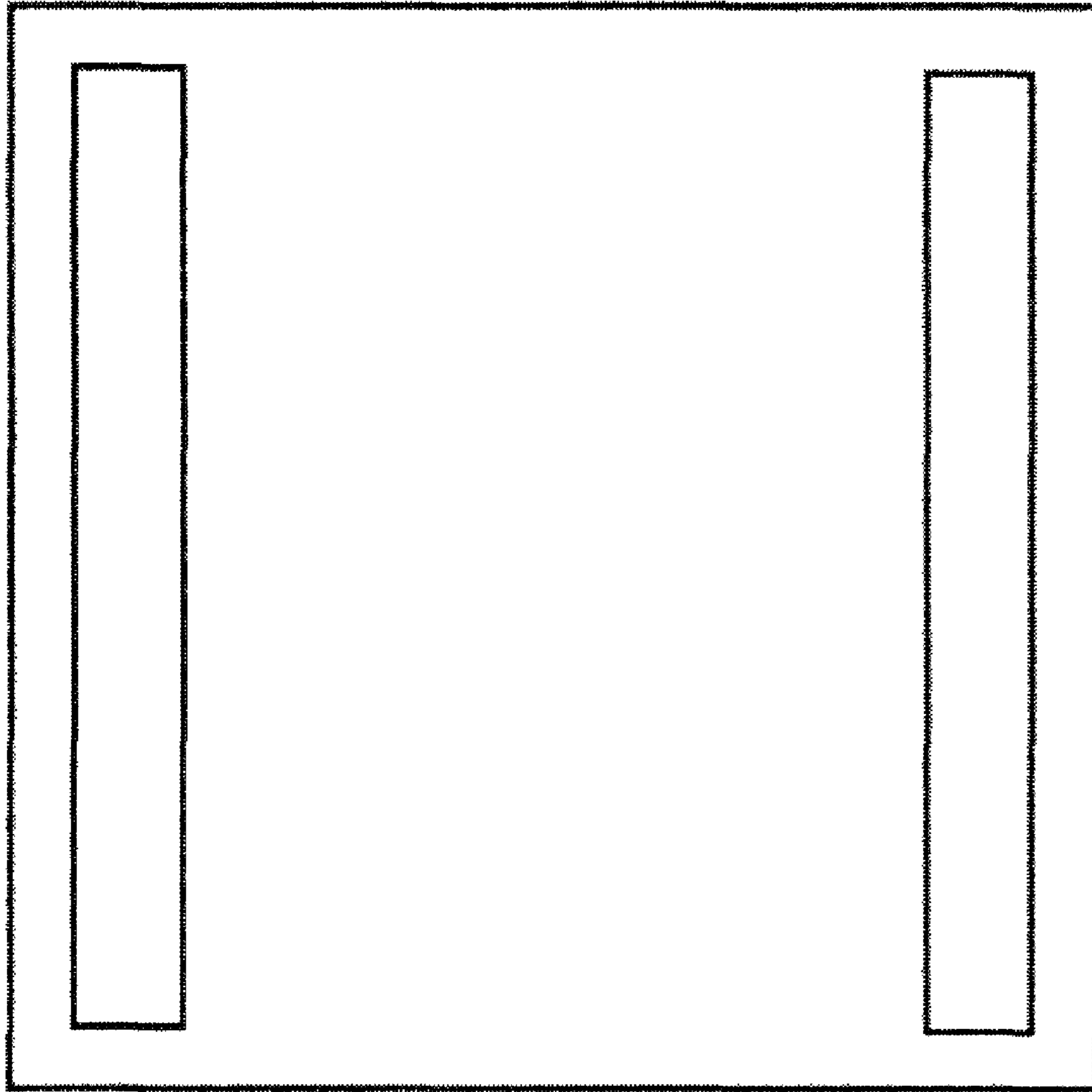


Fig. 15

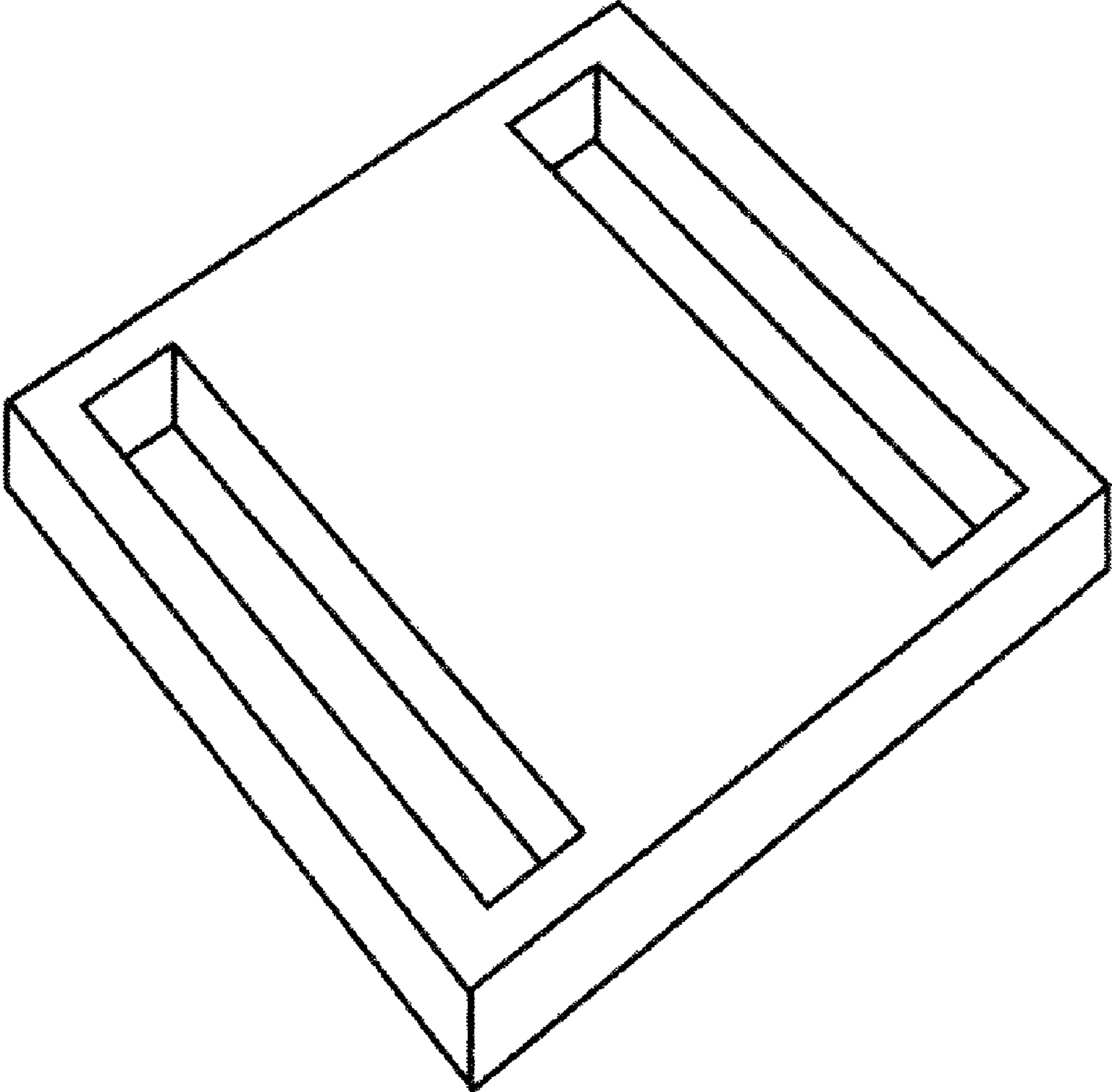
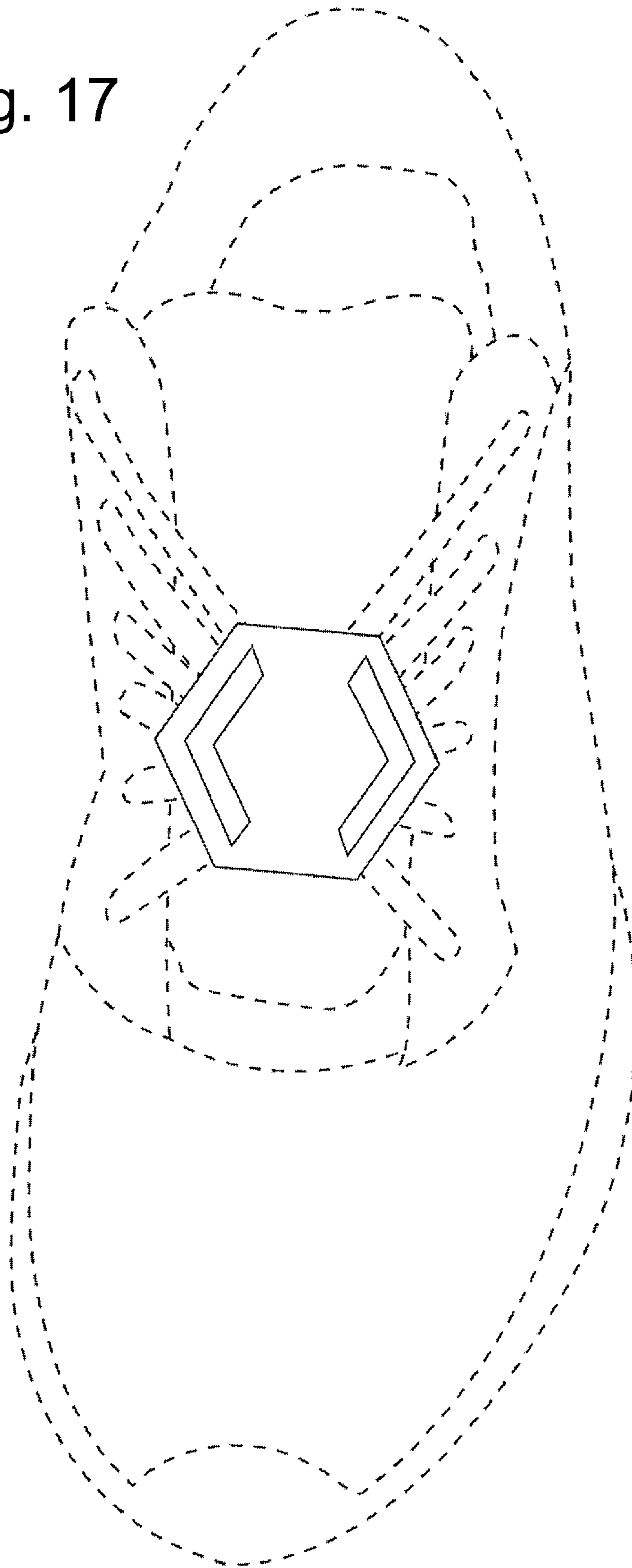


Fig. 16

Fig. 17



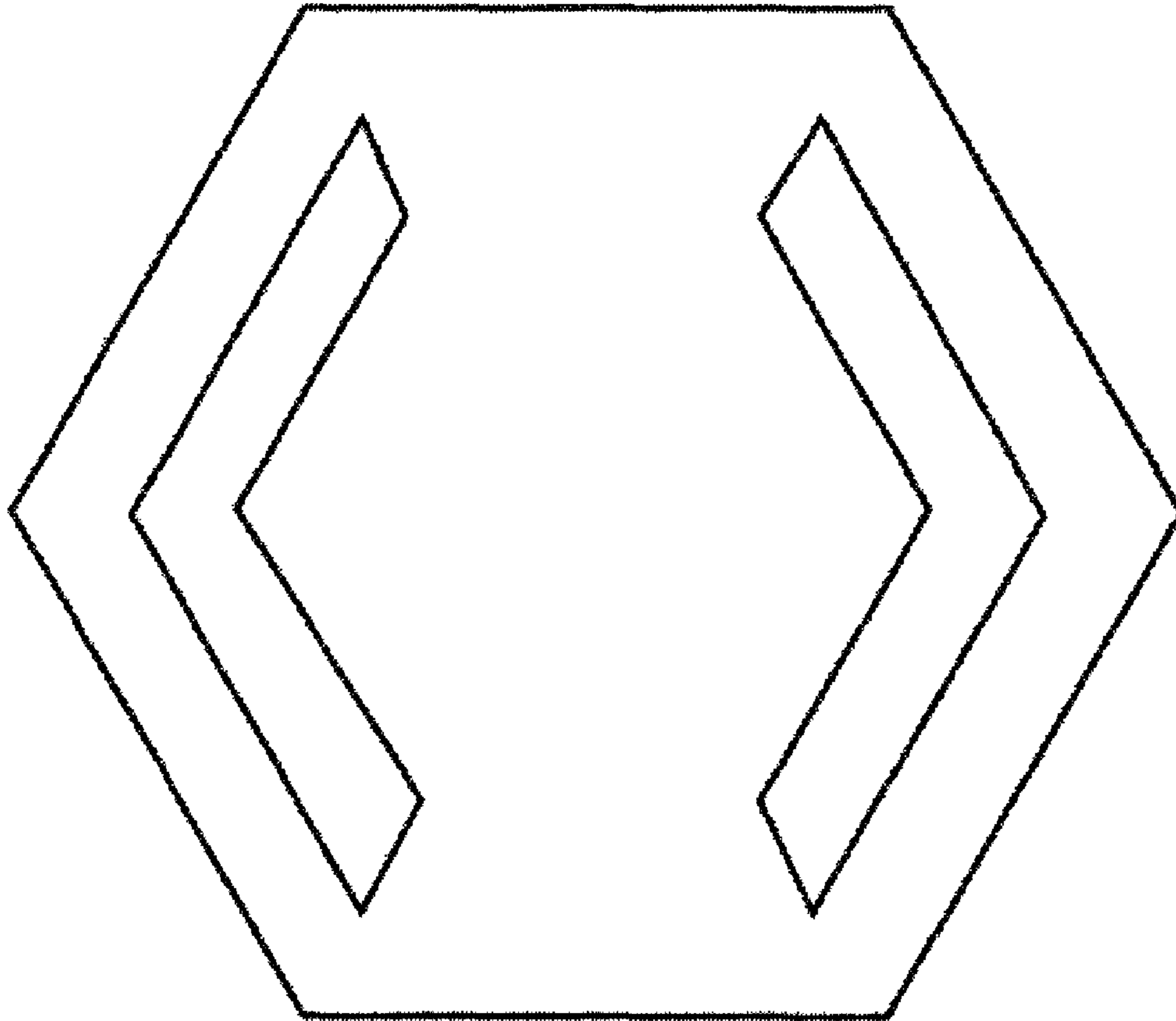


Fig. 18

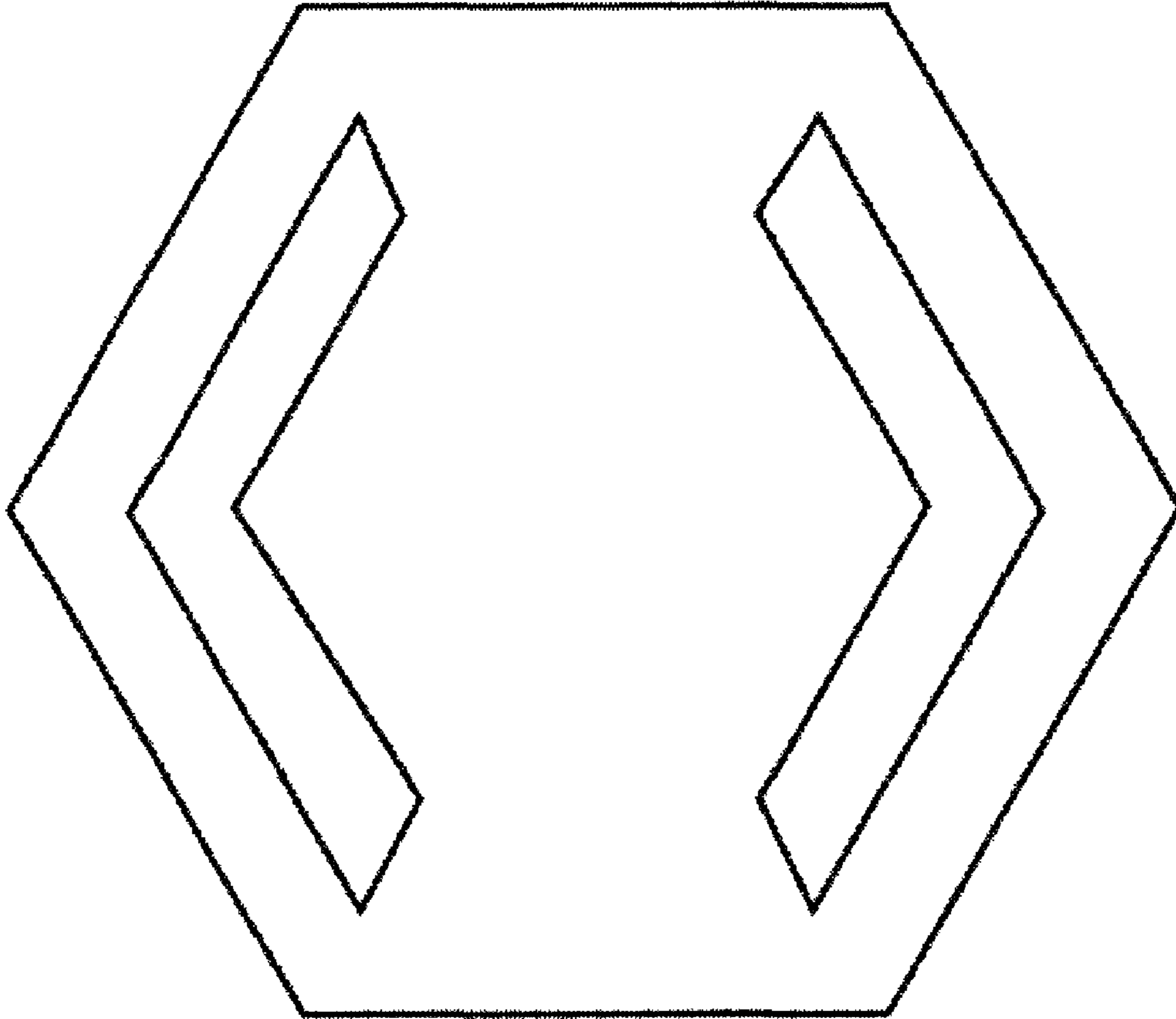


Fig. 19

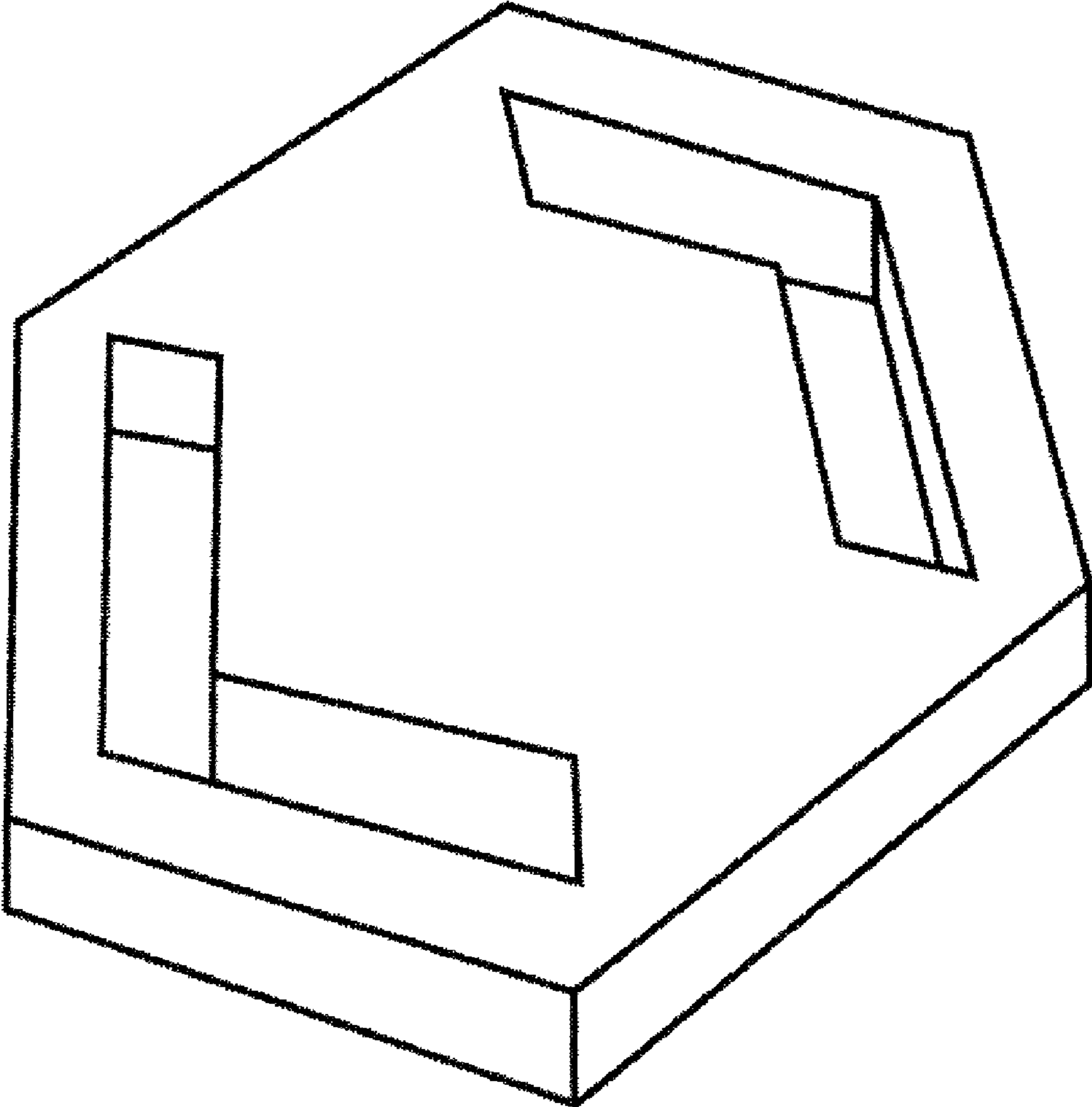


Fig. 20