



US00D677034S

(12) **United States Design Patent**
Chang et al.

(10) **Patent No.:** **US D677,034 S**

(45) **Date of Patent:** **** Feb. 26, 2013**

(54) **FOLDABLE HAND CART**

(75) Inventors: **Wen-Tung Chang**, Jiaoxi Township (TW); **Edwin Ho**, Irvine, CA (US)

(73) Assignee: **Seville Classics Inc.**, Torrance, CA (US)

(**) Term: **14 Years**

(21) Appl. No.: **29/419,943**

(22) Filed: **May 3, 2012**

D453,602 S *	2/2002	Chang	D34/24
D466,267 S *	11/2002	Lee	D34/24
D468,882 S *	1/2003	Hsieh et al.	D34/24
RE38,436 E *	2/2004	Su	280/40
7,044,484 B2 *	5/2006	Wang	280/47.27
D522,708 S *	6/2006	Chang	D34/24
7,097,183 B1 *	8/2006	Su	280/47.29
D558,423 S *	12/2007	Roiser	D34/15
7,398,990 B2 *	7/2008	Tsai	280/652
7,441,785 B1 *	10/2008	Tsai	280/47.29
D632,448 S *	2/2011	Simko et al.	D34/12
D638,190 S *	5/2011	Spann	D34/14
D654,241 S *	2/2012	Vilkomirski et al.	D34/26
D664,733 S *	7/2012	Yang	D34/24

Related U.S. Application Data

(63) Continuation-in-part of application No. 13/315,645, filed on Dec. 9, 2011.

(51) **LOC (9) Cl.** **12-02**

(52) **U.S. Cl.** **D34/24**

(58) **Field of Classification Search** D34/12-27;
280/47.315, 40, 35, 38, 47.17, 47.18, 47.24,
280/47.27, 47.29, 42, 63, 655, 638, 641,
280/645, 646, 651, 652, 654

See application file for complete search history.

(56) **References Cited**

U.S. PATENT DOCUMENTS

D298,076 S *	10/1988	Holtz	D34/26
D328,661 S *	8/1992	vom Braucke et al.	D34/26
D335,738 S *	5/1993	Tsai	D34/26
5,468,005 A *	11/1995	Yang	280/40
5,803,471 A *	9/1998	DeMars et al.	280/40
D411,679 S *	6/1999	Hsieh et al.	D34/24
5,941,543 A *	8/1999	Kazmark, Jr.	280/47.29

* cited by examiner

Primary Examiner — Cynthia Ramirez

(74) *Attorney, Agent, or Firm* — Raymond Sun

(57) **CLAIM**

The ornamental design for a foldable hand cart, as shown and described.

DESCRIPTION

FIG. 1 is a perspective view of a foldable hand cart showing my new design.

FIG. 2 is a front elevational view thereof;

FIG. 3 is a rear elevational view thereof.

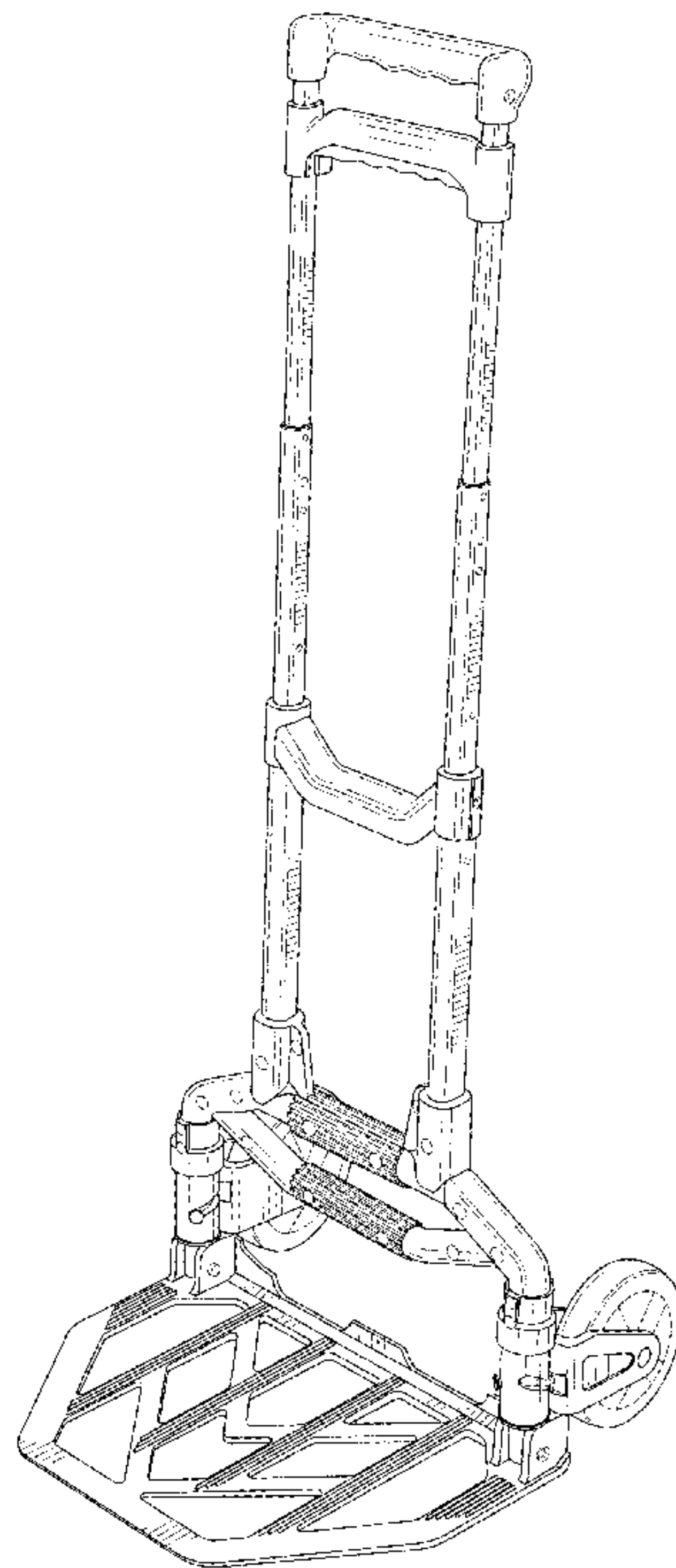
FIG. 4 is a left side elevational view thereof;

FIG. 5 is a right side elevational view thereof;

FIG. 6 is a top plan view thereof; and,

FIG. 7 is a bottom plan view of the foldable hand cart.

1 Claim, 6 Drawing Sheets



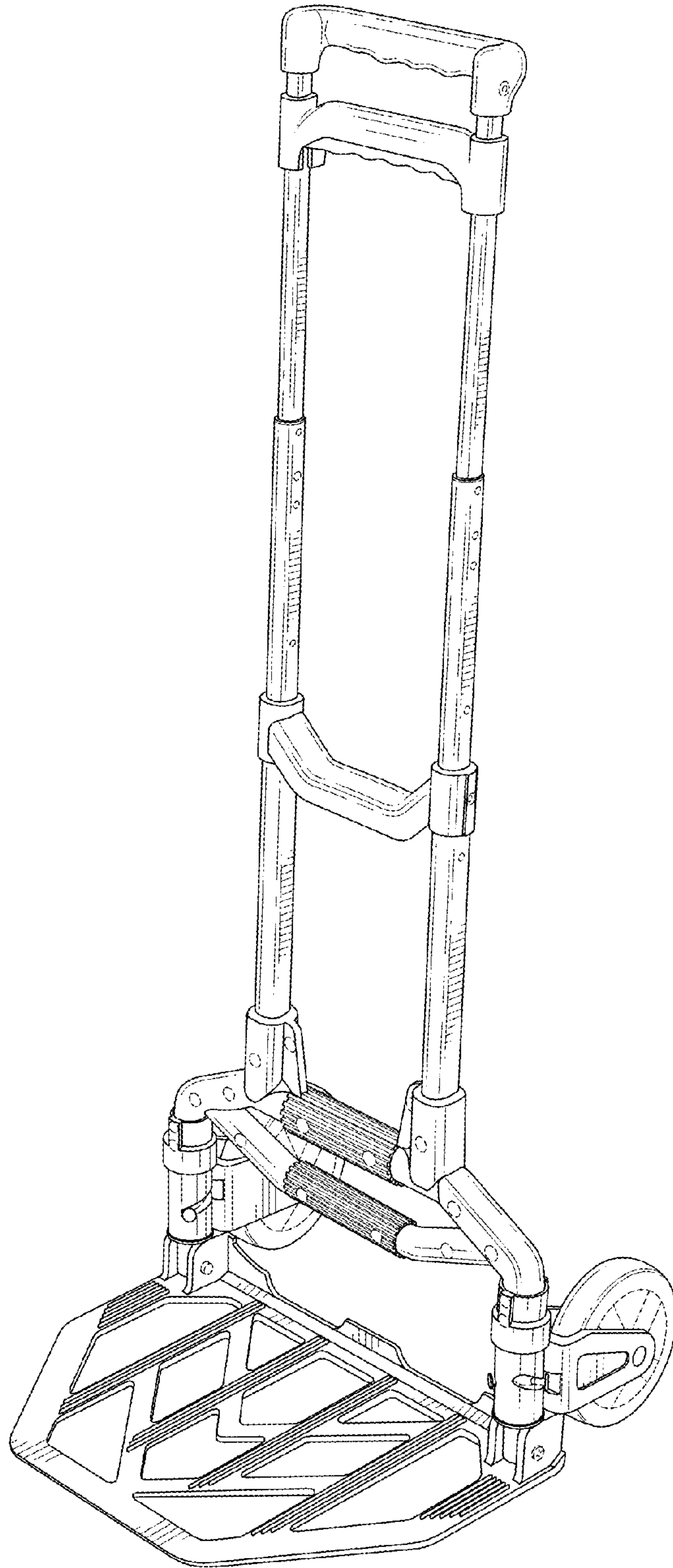


FIG. 1

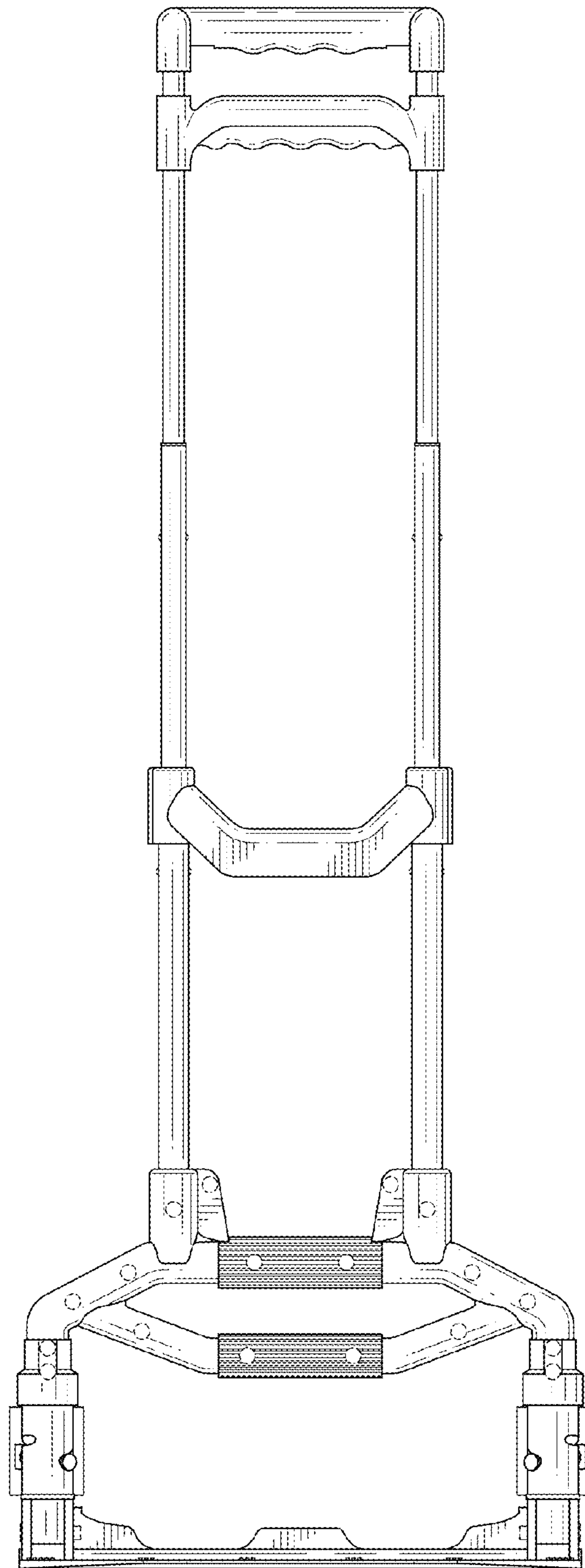


FIG. 2

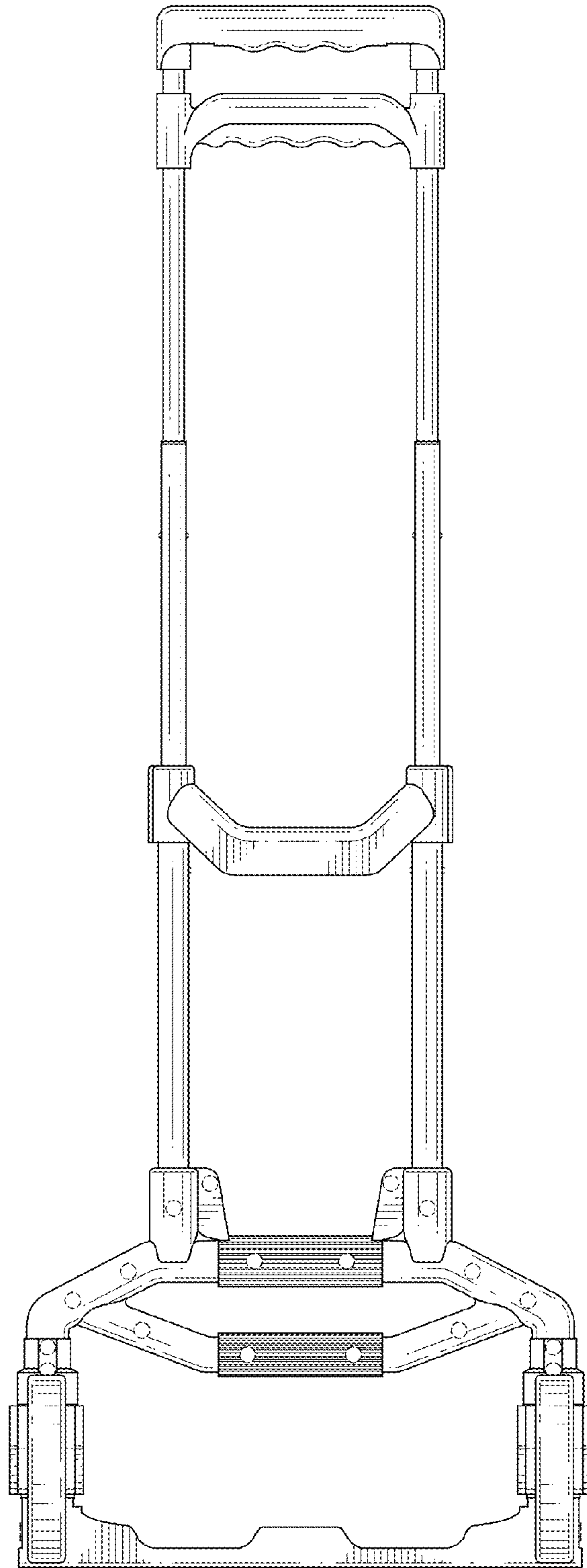


FIG. 3

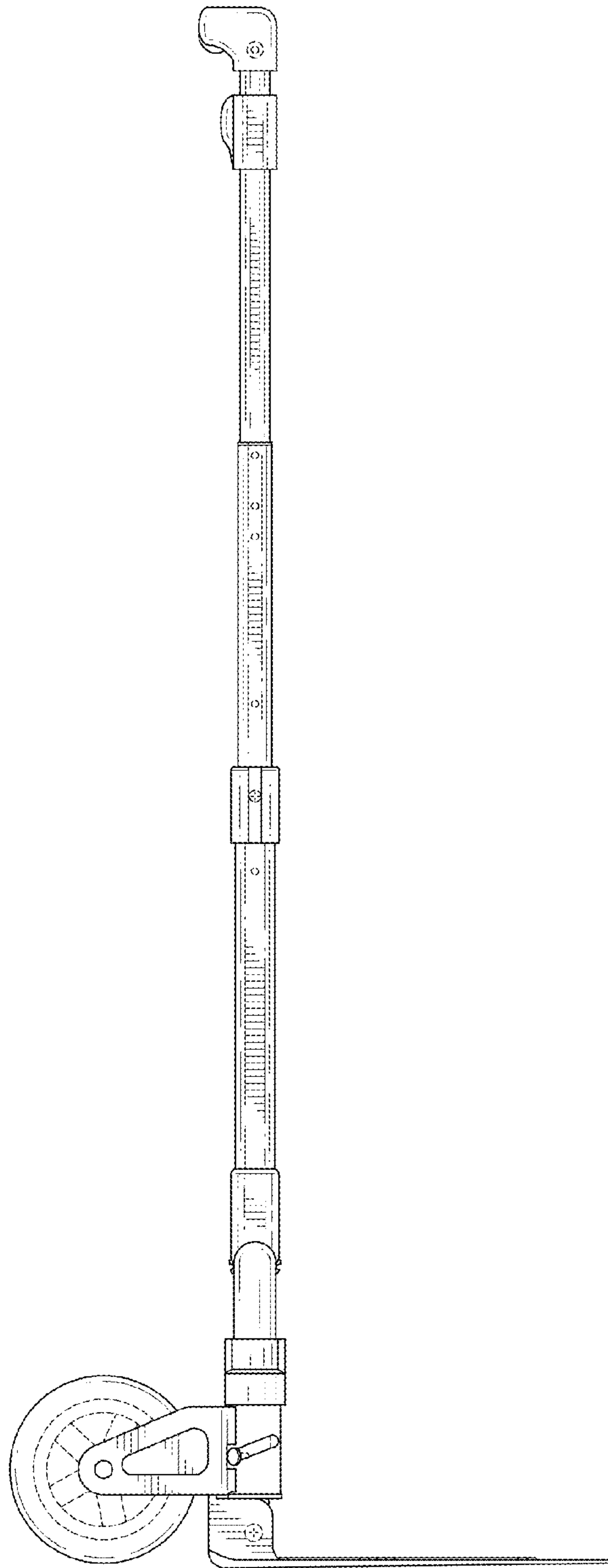


FIG.4

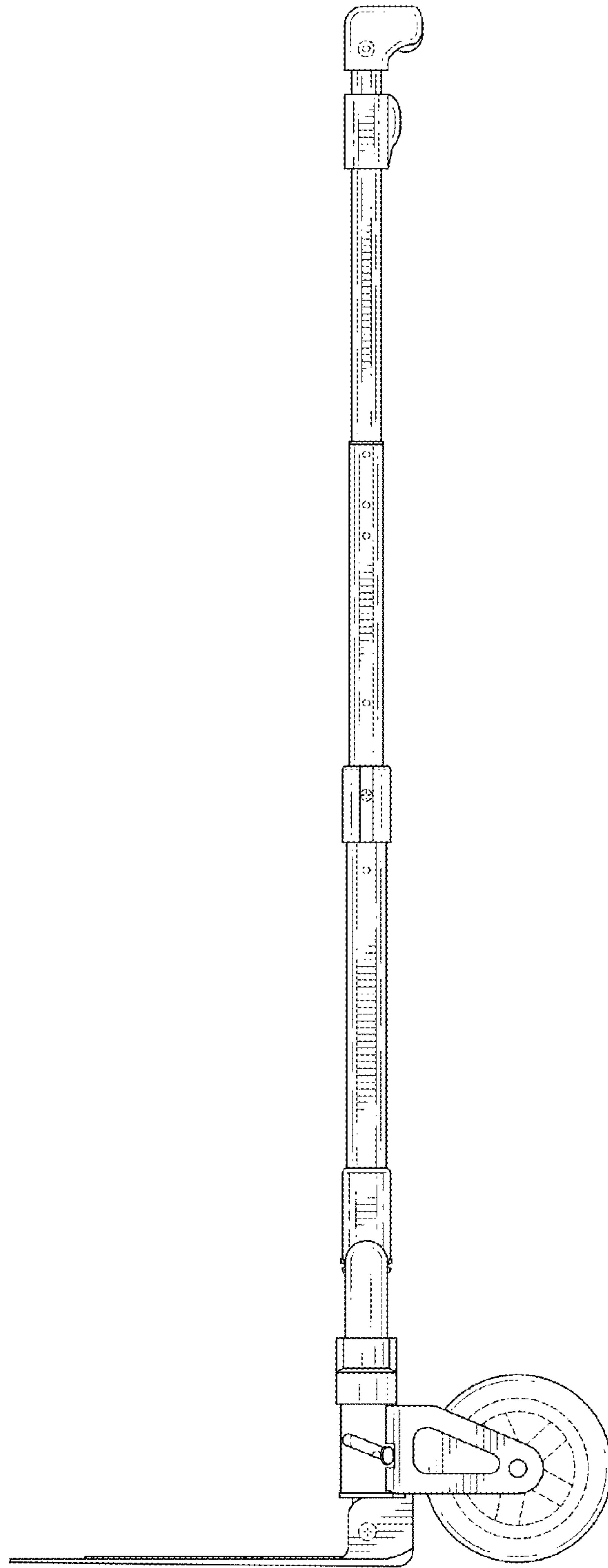


FIG. 5

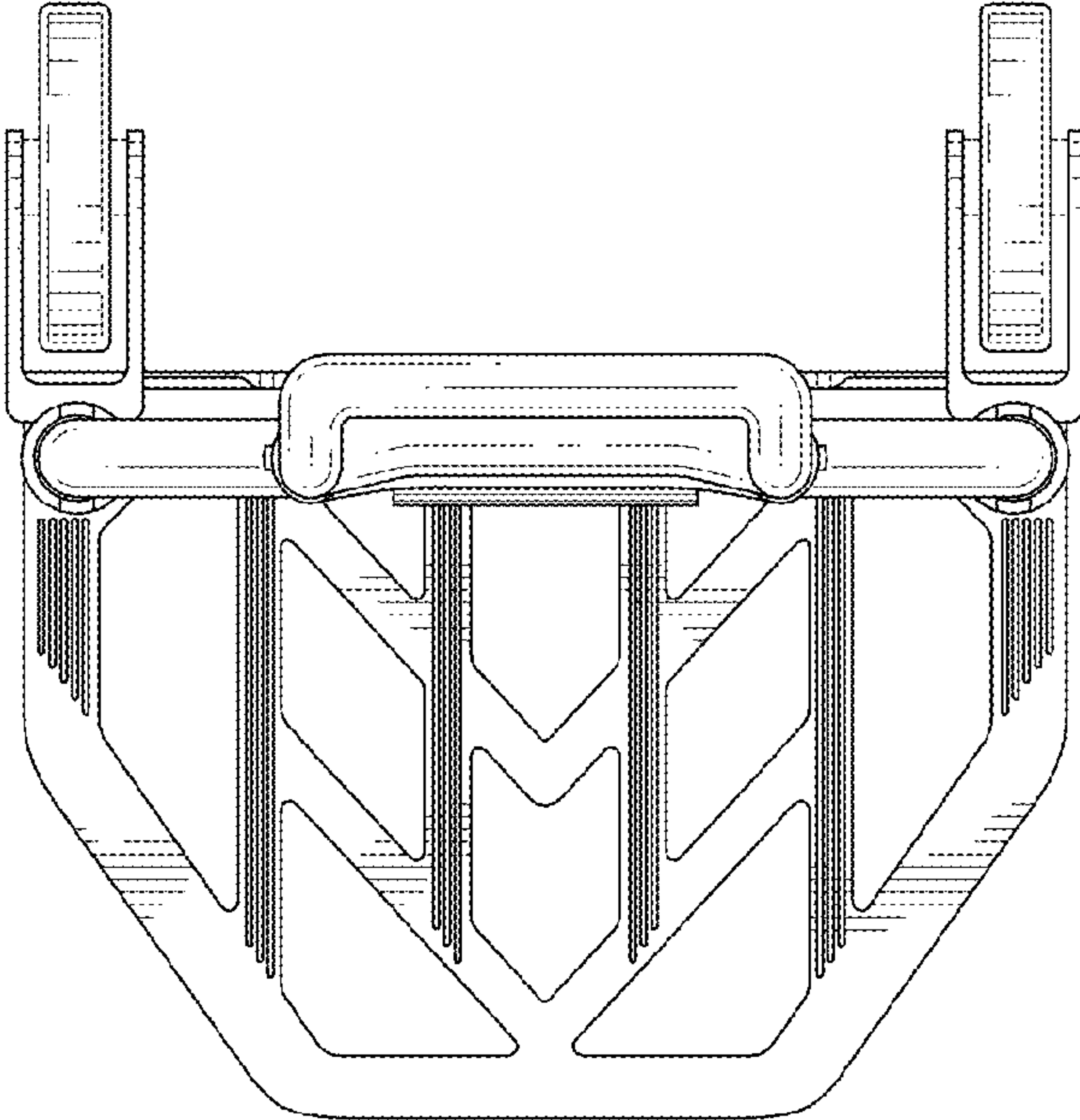


FIG. 6

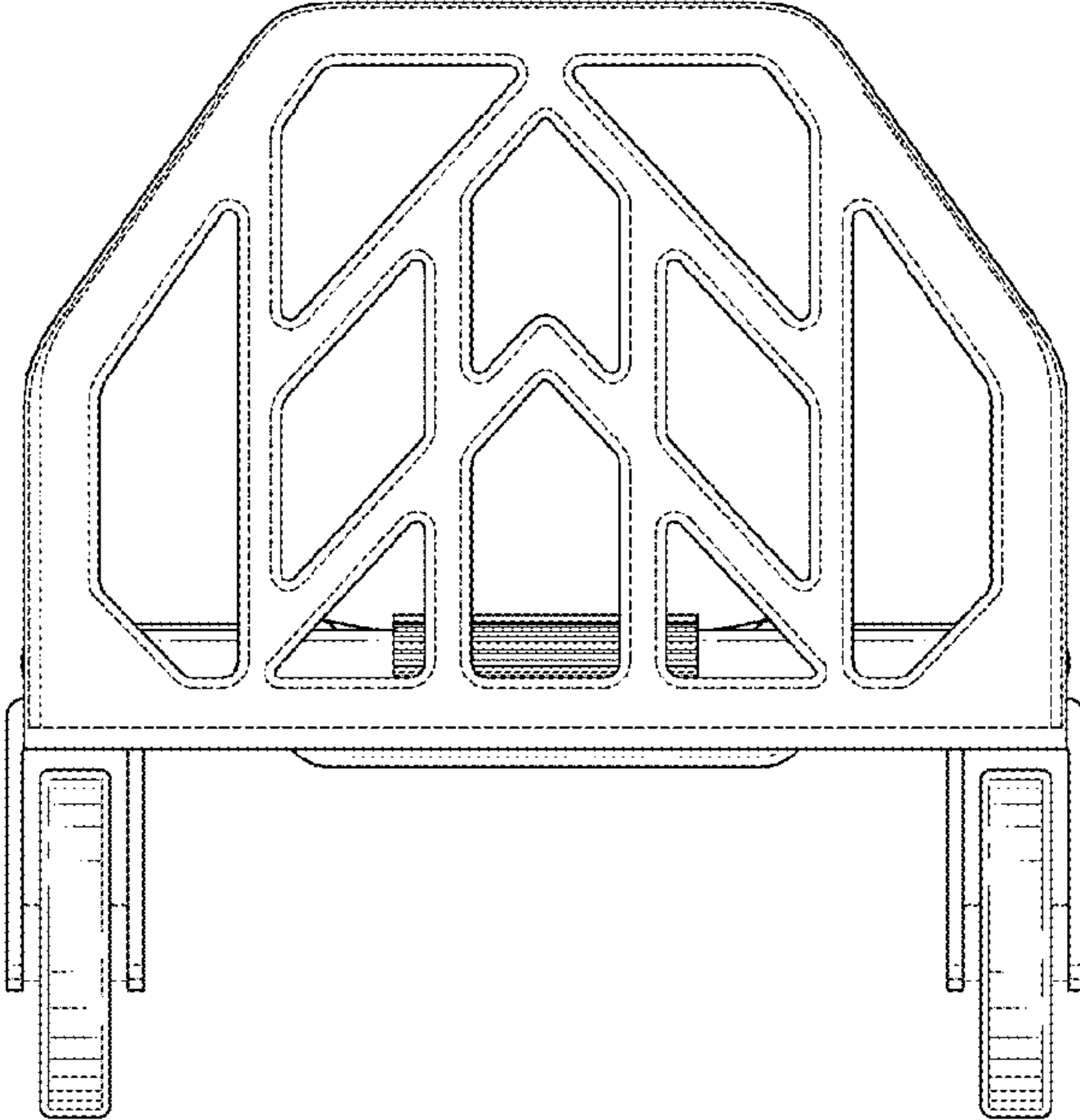


FIG. 7