



US00D677031S

(12) **United States Design Patent**
Best et al.

(10) **Patent No.:** **US D677,031 S**
(45) **Date of Patent:** **** Feb. 26, 2013**

(54) **APPLICATOR HEAD**

(75) Inventors: **Jim Joseph Best**, Hewitt, NJ (US);
Marco Carroll Perry, Brooklyn, NY
(US); **Mark David Prommel**, Brooklyn,
NY (US); **Kevin Min O’Leary**,
Brooklyn, NY (US); **William Lauchlin**
Gulledge, Jr., Leawood, KS (US);
William Daniel Richardson,
Greenwood, MO (US); **Chad Edward**
Brott, Greenwood, MO (US); **B. Deré**
Newman, Lone Jack, MO (US); **Melodie**
Lea Wendleton, Lee’s Summit, MO
(US); **Benjamin A. Shobert**,
Indianapolis, IN (US); **Todd Brunner**,
Brooklyn, NY (US)

(73) Assignee: **Specialty Products of Greenwood,**
Missouri, Inc., Greenwood, MO (US)

(**) Term: **14 Years**

(21) Appl. No.: **29/359,632**

(22) Filed: **Apr. 13, 2010**

(51) **LOC (9) Cl.** **04-01**

(52) **U.S. Cl.** **D32/50**

(58) **Field of Classification Search** D32/40–45,
D32/50–52; 15/118, 244.1, 244.2, 244.3,
15/244.4, 116.1, 116.2, 119.1, 119.2, 104.9,
15/228, 229.2, 229.4; 401/135–140
See application file for complete search history.

(56) **References Cited**

U.S. PATENT DOCUMENTS

3,099,855 A * 8/1963 Nash 15/231
D202,876 S 11/1965 Newman
D294,415 S * 2/1988 Jones D32/44
D307,963 S 5/1990 Newman, Sr. et al.
4,993,101 A 2/1991 Newman, Sr. et al.
D331,650 S 12/1992 Newman, Sr.
5,220,707 A 6/1993 Newman, Sr. et al.
5,267,369 A 12/1993 O’Neil et al.
5,293,662 A 3/1994 Newman, Sr. et al.
5,316,264 A 5/1994 Newman, Sr. et al.

D351,015 S 9/1994 Caceres et al.
5,348,409 A 9/1994 Newman, Sr. et al.
D354,554 S 1/1995 Newman, Sr. et al.
5,385,420 A 1/1995 Newman, Sr. et al.
5,432,972 A 7/1995 Polzin et al.
5,460,458 A 10/1995 Caceres
5,579,558 A 12/1996 Newman, Jr. et al.
5,682,641 A 11/1997 Newman, Jr. et al.
5,692,856 A 12/1997 Newman, Jr. et al.
5,822,823 A 10/1998 Polzin et al.
5,960,508 A * 10/1999 Holt et al. 15/228
6,151,747 A 11/2000 Newman et al.
6,272,715 B1 8/2001 Polzin et al.
D447,874 S 9/2001 Newman et al.
D452,777 S 1/2002 Newman et al.
6,349,451 B1 2/2002 Newman et al.
D457,003 S 5/2002 Newman et al.
D459,587 S 7/2002 Newman et al.
6,453,777 B1 9/2002 Newman et al.
6,497,007 B2 12/2002 Newman et al.
6,519,800 B2 2/2003 Newman et al.
6,530,124 B2 3/2003 Newman et al.
6,532,630 B1 3/2003 Newman et al.
6,553,628 B2 4/2003 Newman et al.
D482,202 S 11/2003 Newman et al.
6,681,438 B2 1/2004 Newman et al.
D493,928 S * 8/2004 Chemtob D32/44
6,779,235 B2 8/2004 Newman et al.
D515,759 S * 2/2006 Fischer D32/45
D519,820 S 5/2006 Newman et al.
7,066,511 B2 6/2006 Newman et al.
D538,133 S 3/2007 Richardson et al.
7,237,305 B2 7/2007 Newman et al.
D585,612 S * 1/2009 Soller et al. D32/50
D597,269 S * 7/2009 McNeil et al. D32/45
D597,718 S * 8/2009 McNeil et al. D32/45
D609,920 S * 2/2010 Lee D4/138
D613,013 S * 3/2010 Renner D32/51
D615,260 S * 5/2010 Koenig D32/45
D644,386 S * 8/2011 Tawara et al. D32/51
2004/0158949 A1 8/2004 Booth et al.
2006/0147256 A1 7/2006 Richardson et al.
2006/0230581 A1 10/2006 Richardson et al.

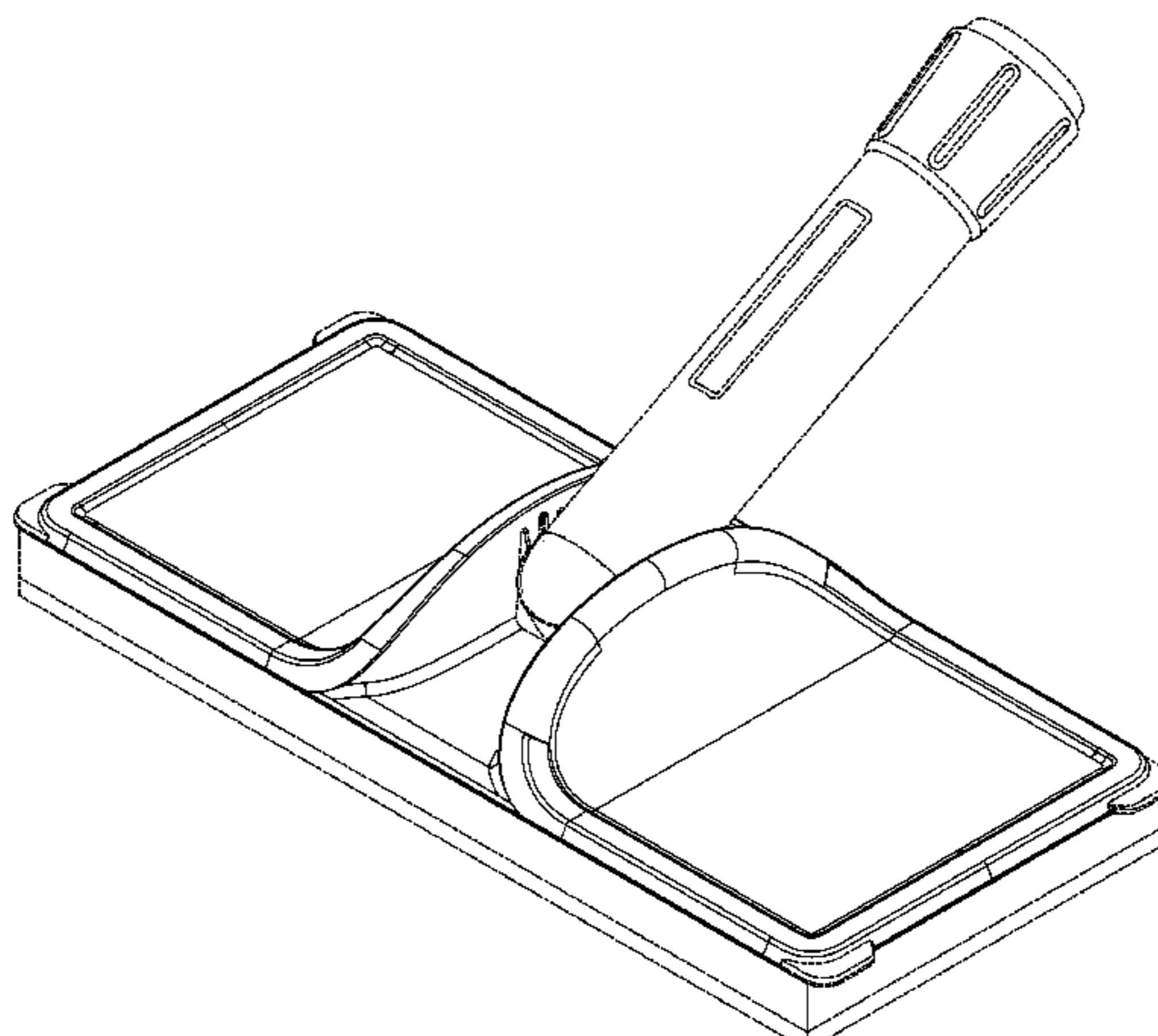
* cited by examiner

Primary Examiner — John Windmuller

(74) *Attorney, Agent, or Firm* — Hovey Williams LLP

(57) **CLAIM**

The ornamental design for an applicator head, as shown and described.



DESCRIPTION

FIG. 1 is a top perspective view of an applicator head embodying our design;

FIG. 2 is a bottom perspective view of the applicator head depicted in FIG. 1;

FIG. 3 is a front elevation view of the applicator head depicted in FIGS. 1 and 2;

FIG. 4 is a side elevation view of the applicator head depicted in FIGS. 1-3, with the opposite side elevation view being a mirror image thereof;

FIG. 5 is a rear elevation view of the applicator head shown in FIGS. 1-4;

FIG. 6 is a top elevation view of the applicator head shown in FIGS. 1-5;

FIG. 7 is a bottom elevation view of the applicator head depicted in FIGS. 1-6;

FIG. 8 is a perspective view of the applicator head similar to FIG. 1, but with the pivotal handle being swung to a different position;

FIG. 9 is a perspective view of the applicator head similar to FIG. 1, but with the material application pad being removed; FIG. 10 is a bottom perspective view of the applicator head as depicted in FIG. 9;

FIG. 11 is a front elevation view of the applicator head as depicted in FIGS. 9 and 10;

FIG. 12 is a side elevation view of the applicator head as depicted in FIGS. 9-11, with the opposite side elevation view being a mirror image thereof;

FIG. 13 is a rear elevation view of the applicator head, as shown in FIGS. 9-12;

FIG. 14 is a top elevation view of the applicator head as shown in FIGS. 9-13; and,

FIG. 15 is a bottom elevation view of the applicator head as depicted in FIGS. 9-14.

The broken lines in the figures depict portions of the applicator that form no part of the claimed design.

1 Claim, 15 Drawing Sheets

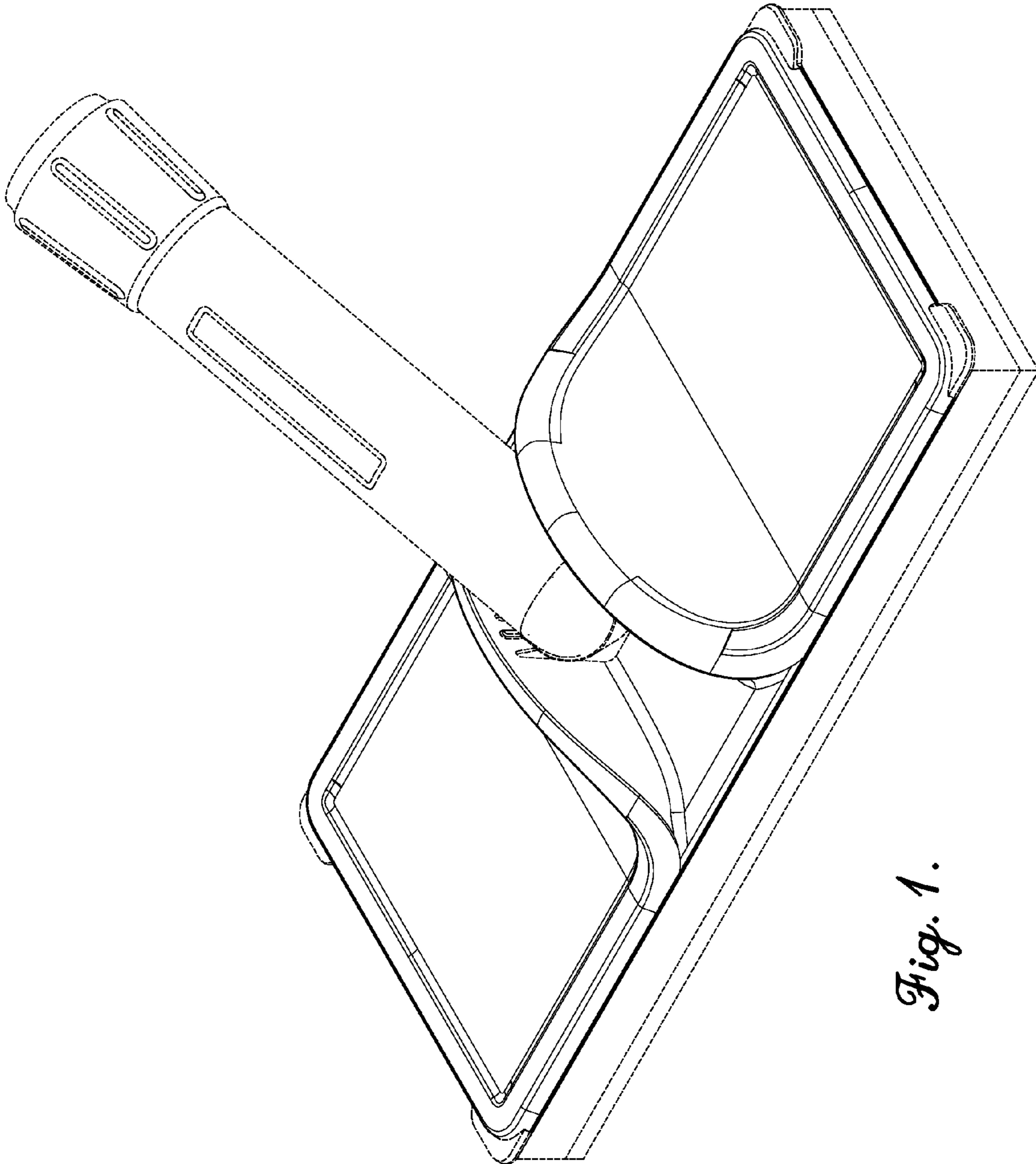


Fig. 1.

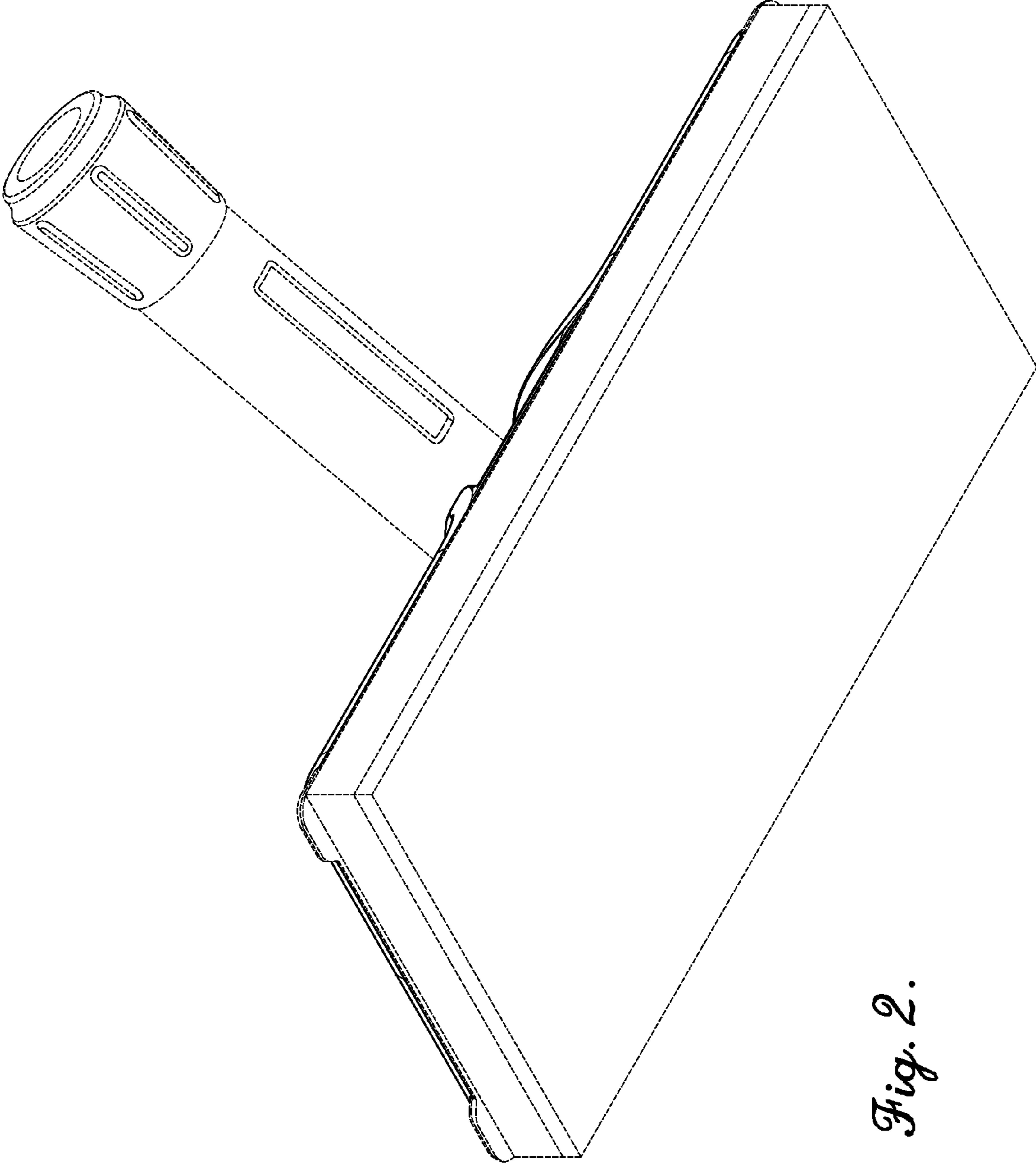


Fig. 2.

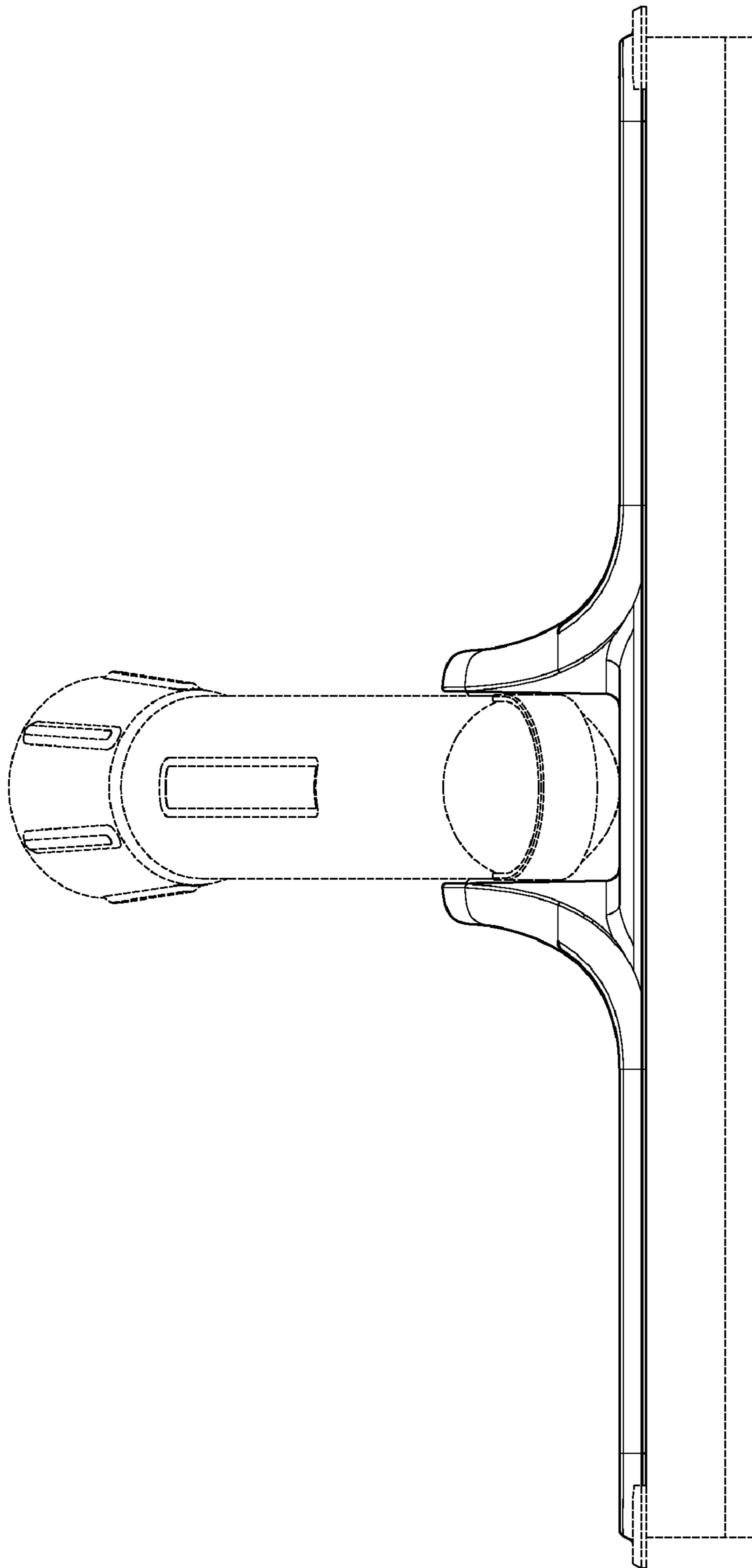


Fig. 3.

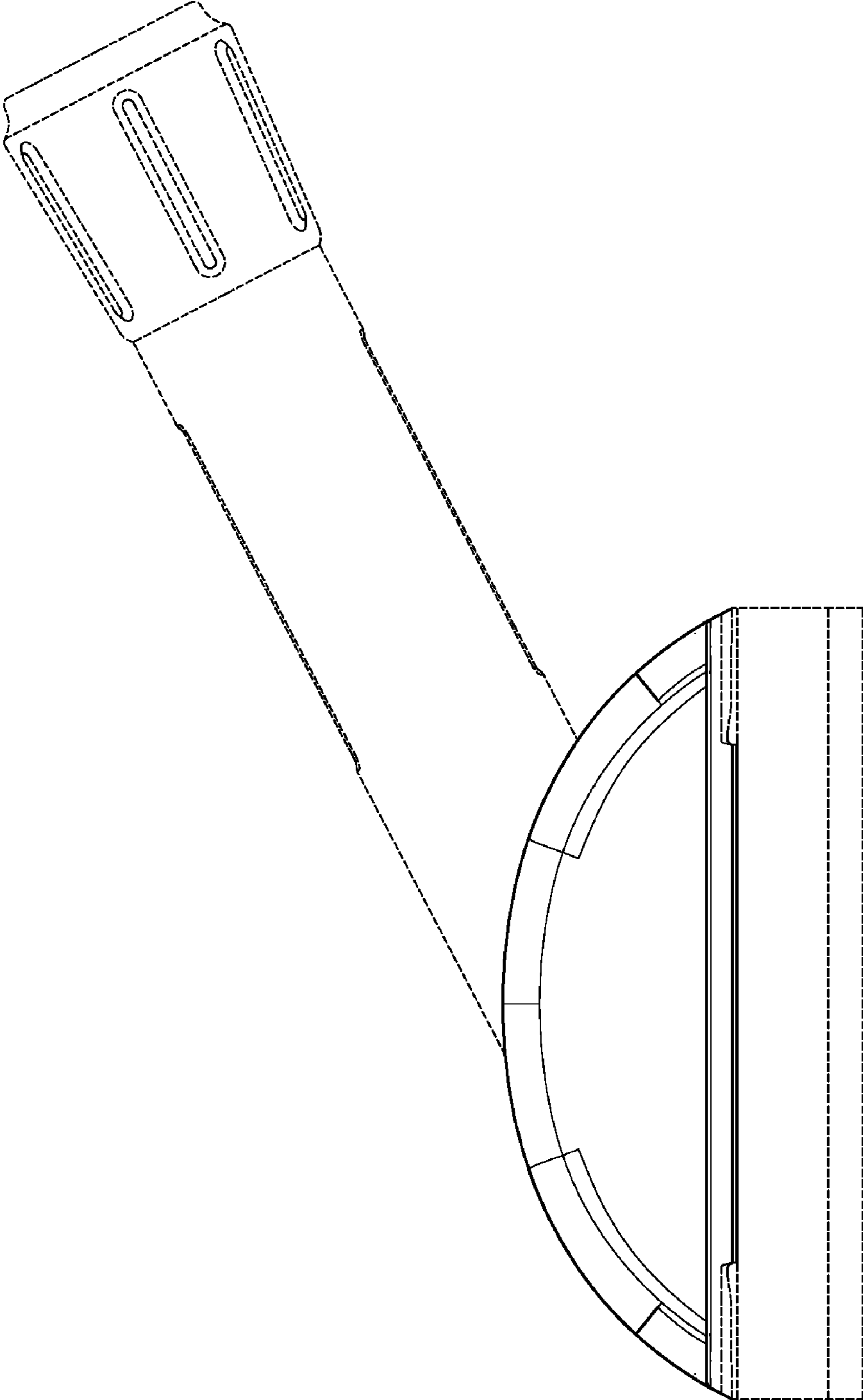


Fig. 4.

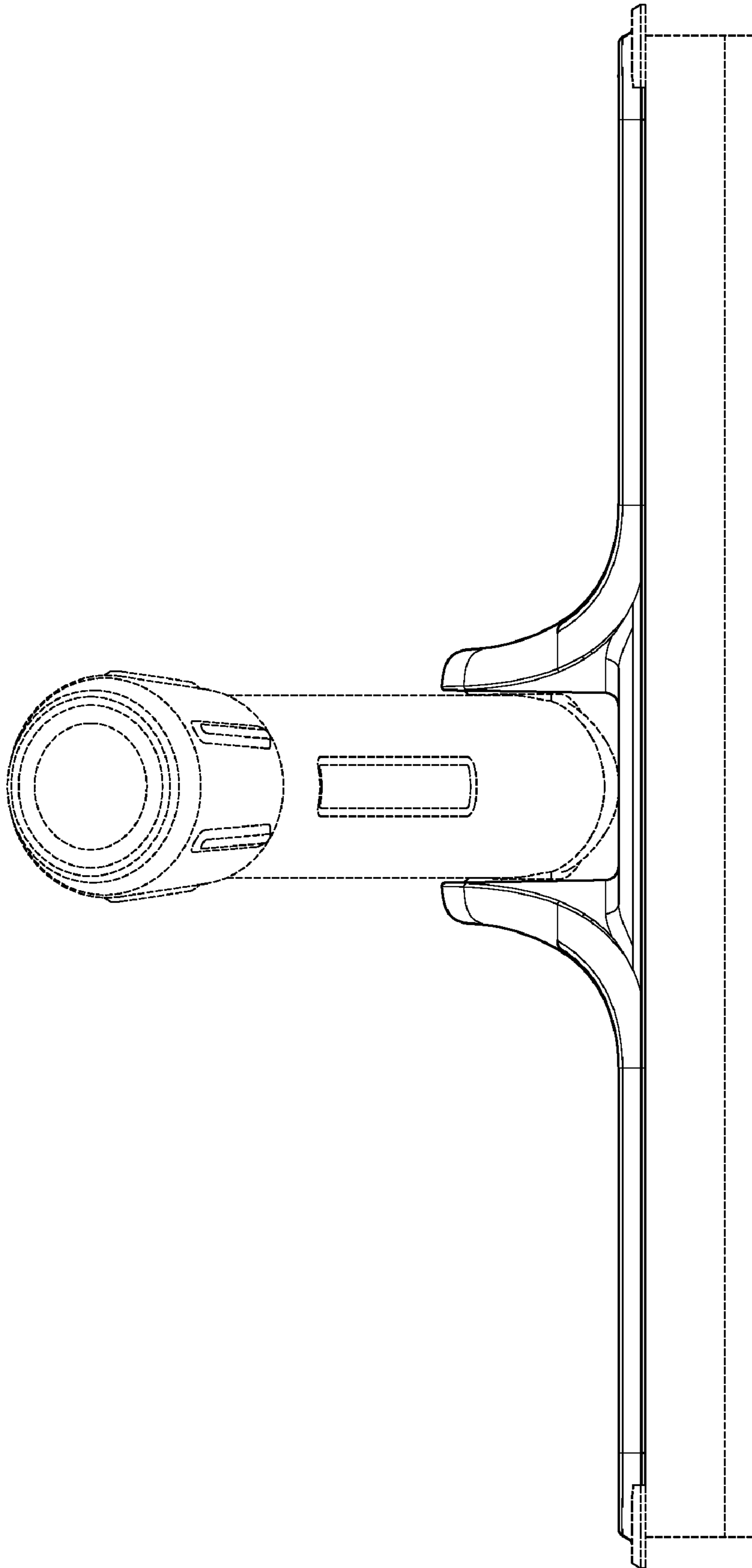
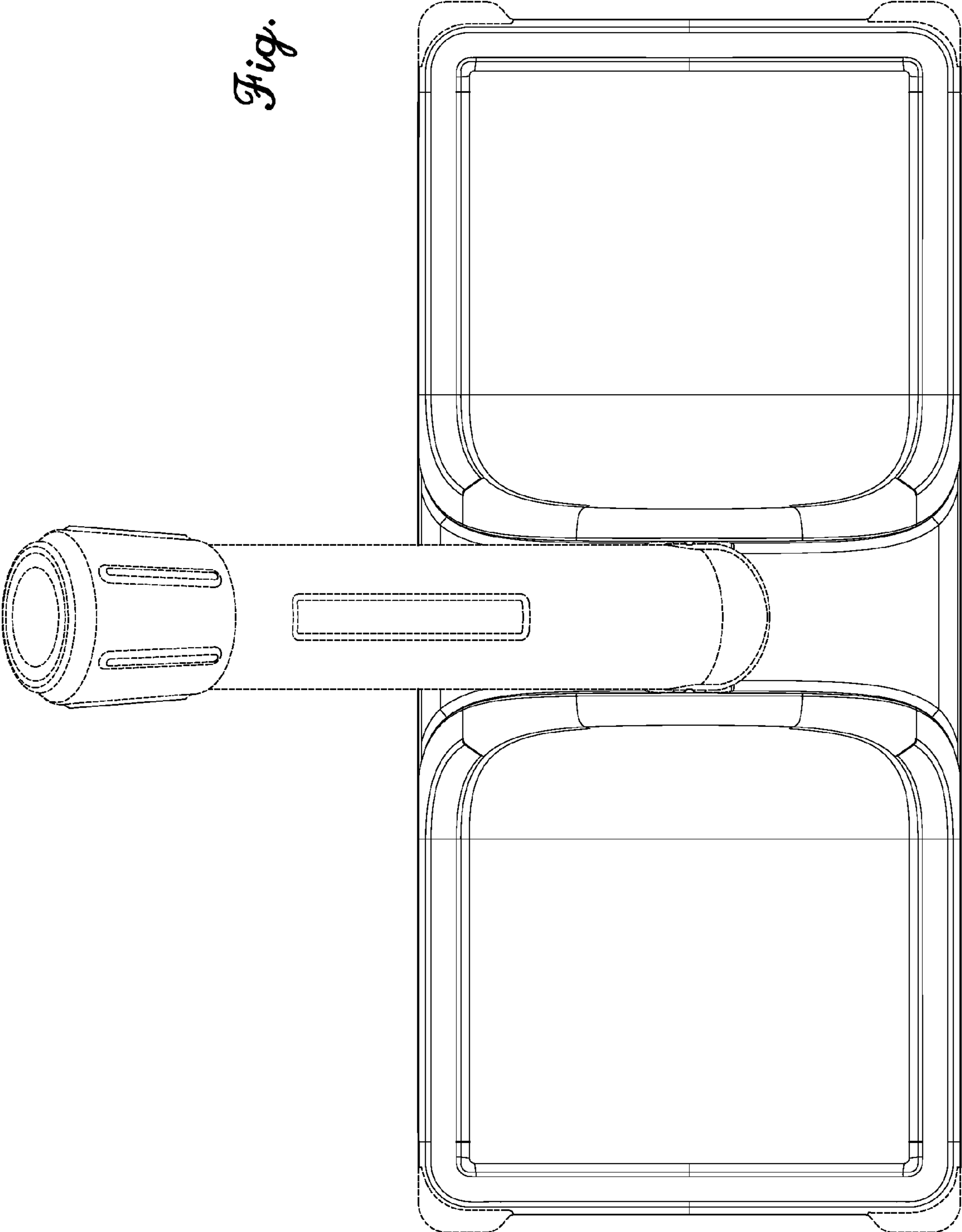


Fig. 5.

Fig. 6.



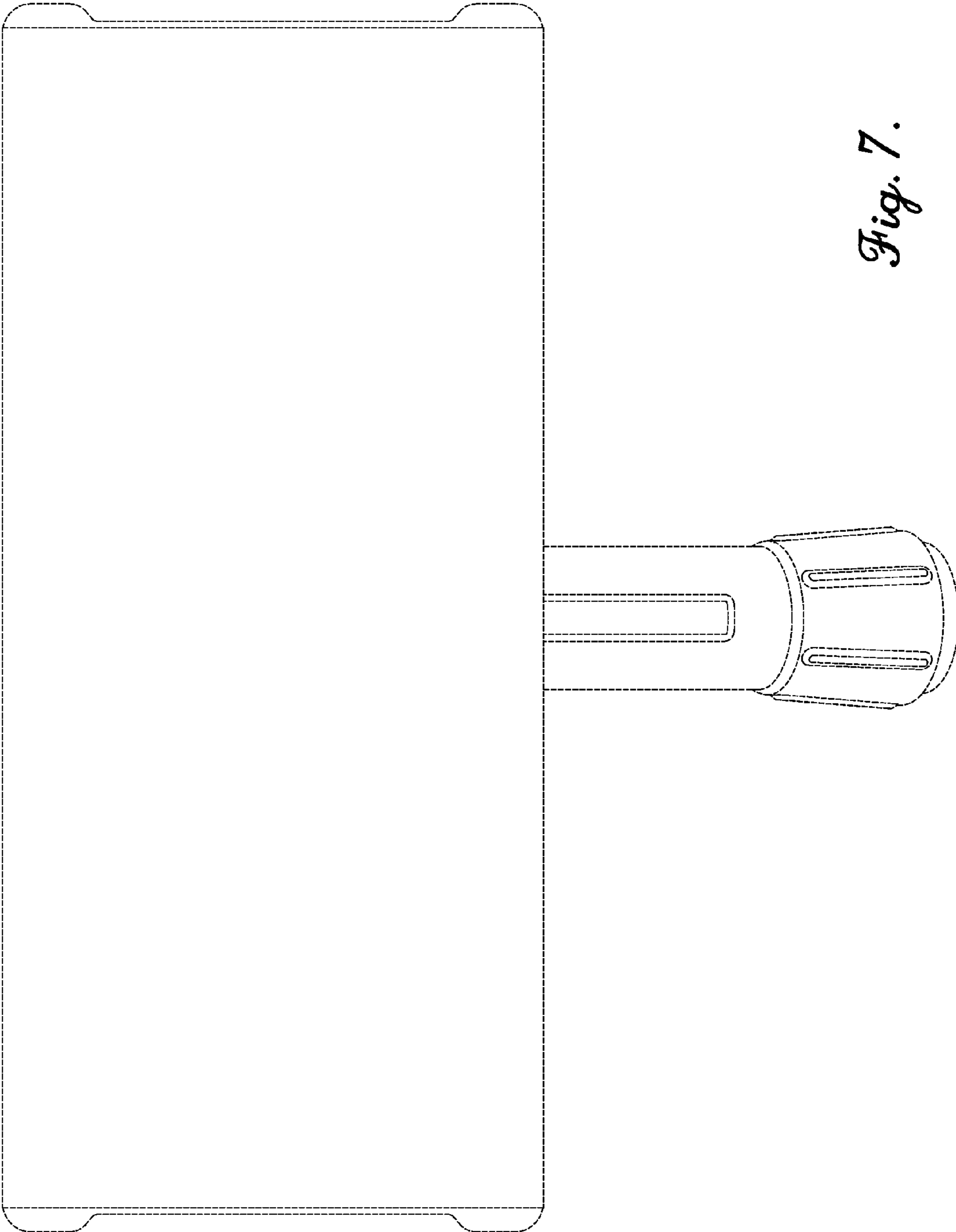


Fig. 7.

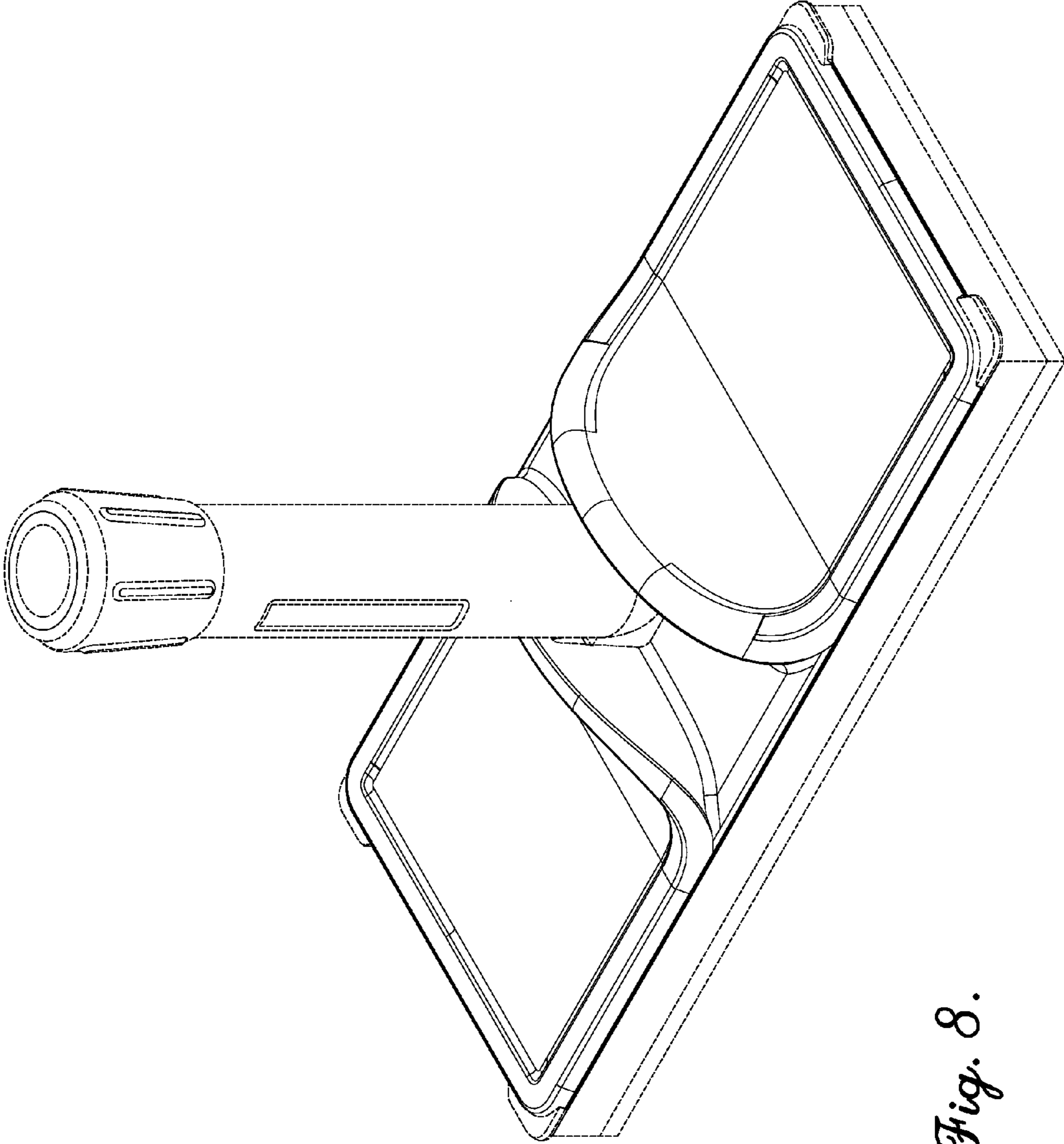


Fig. 8.

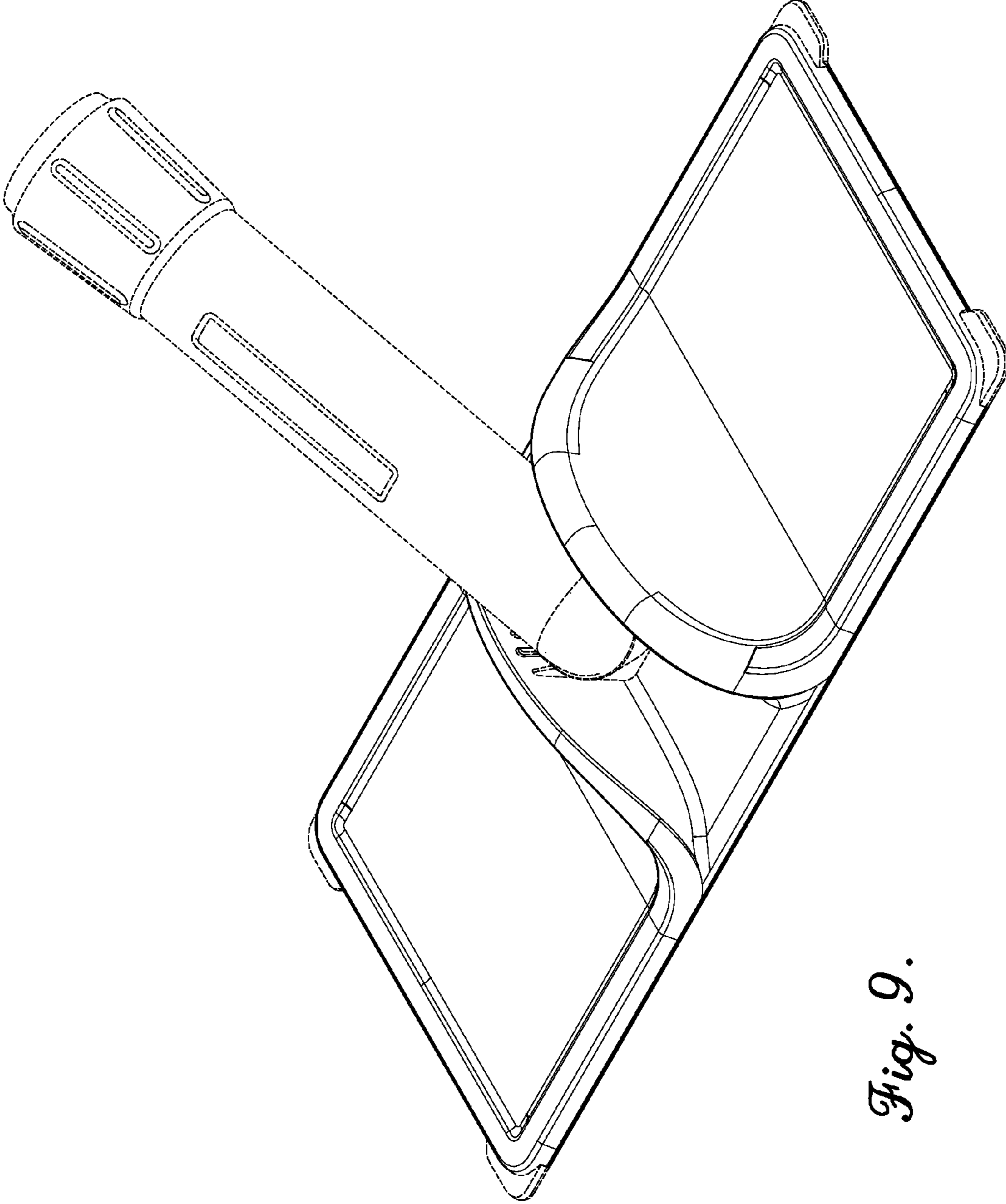


Fig. 9.

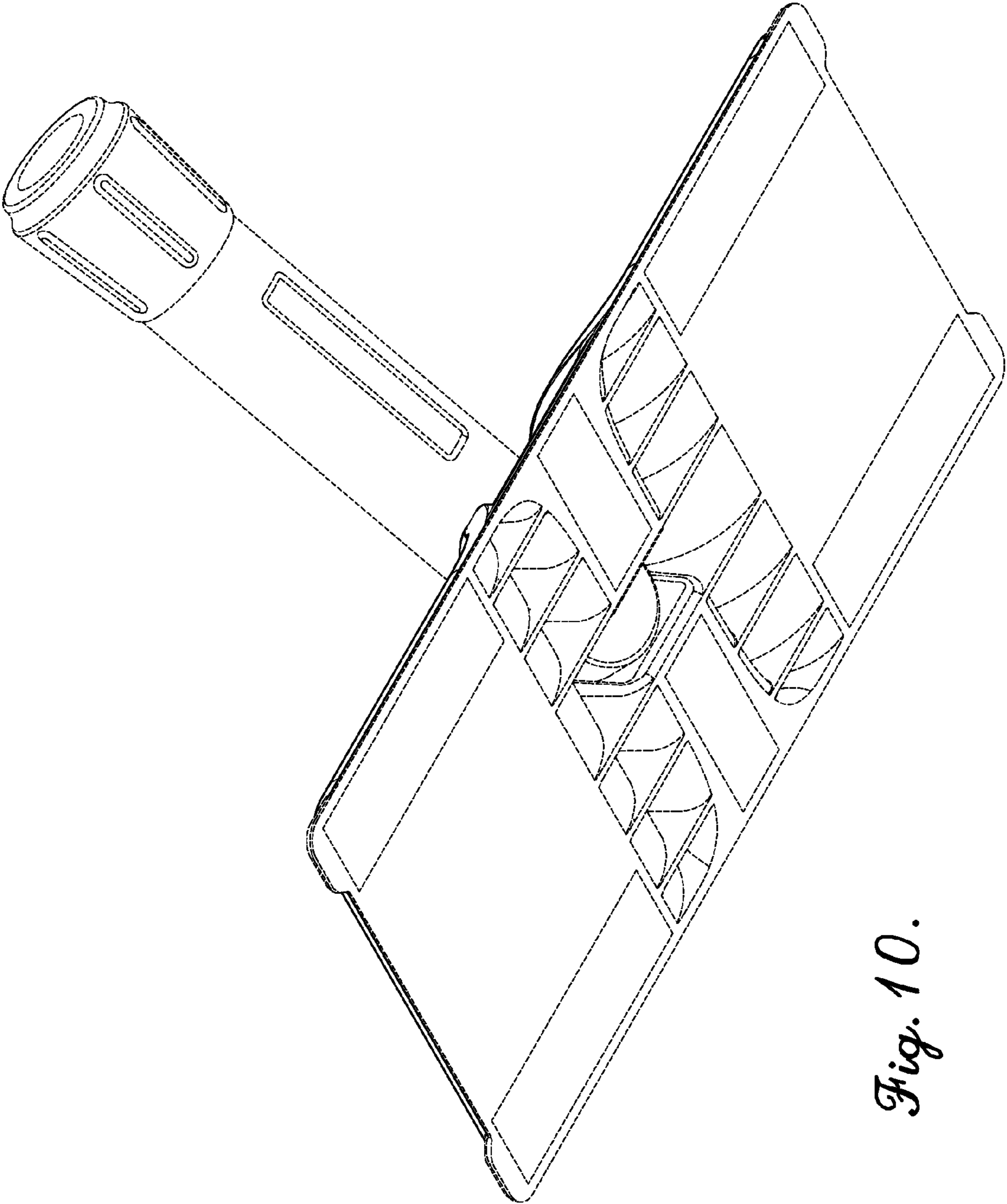


Fig. 10.

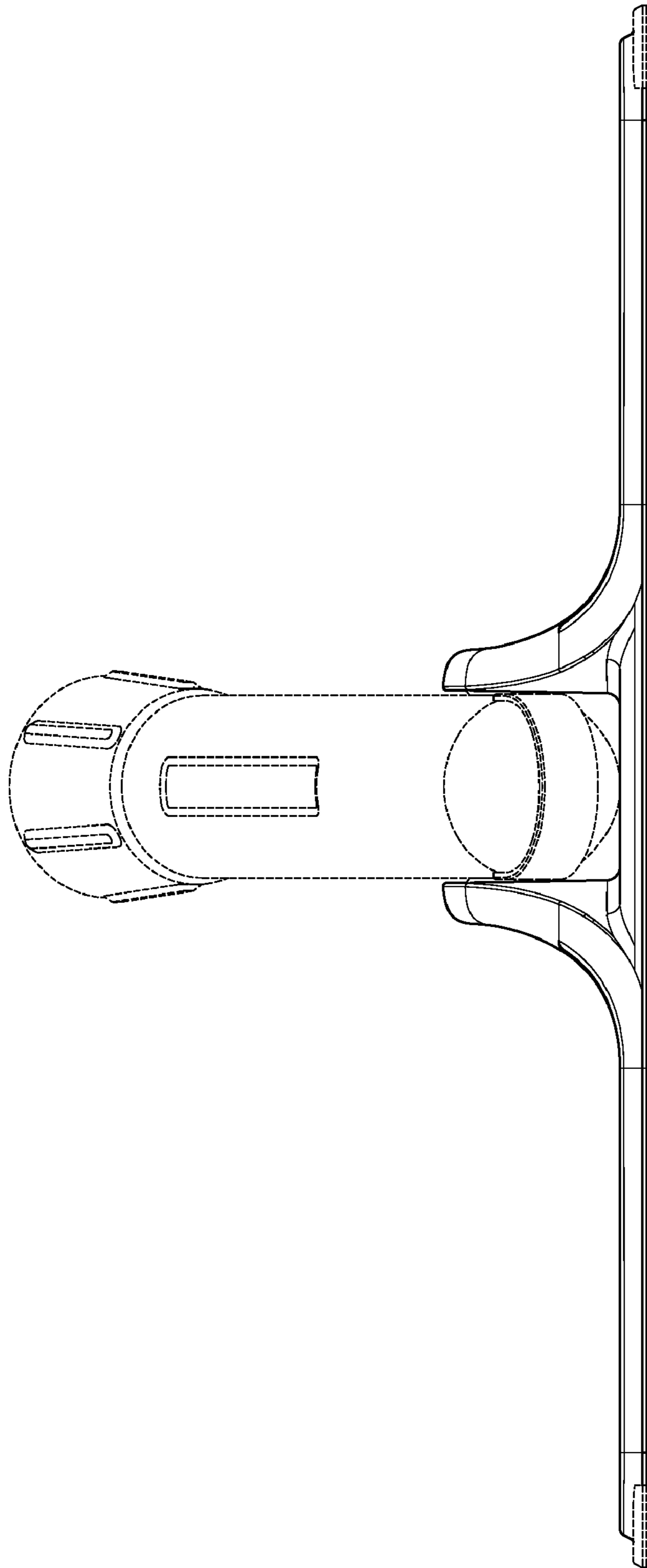


Fig. 11.

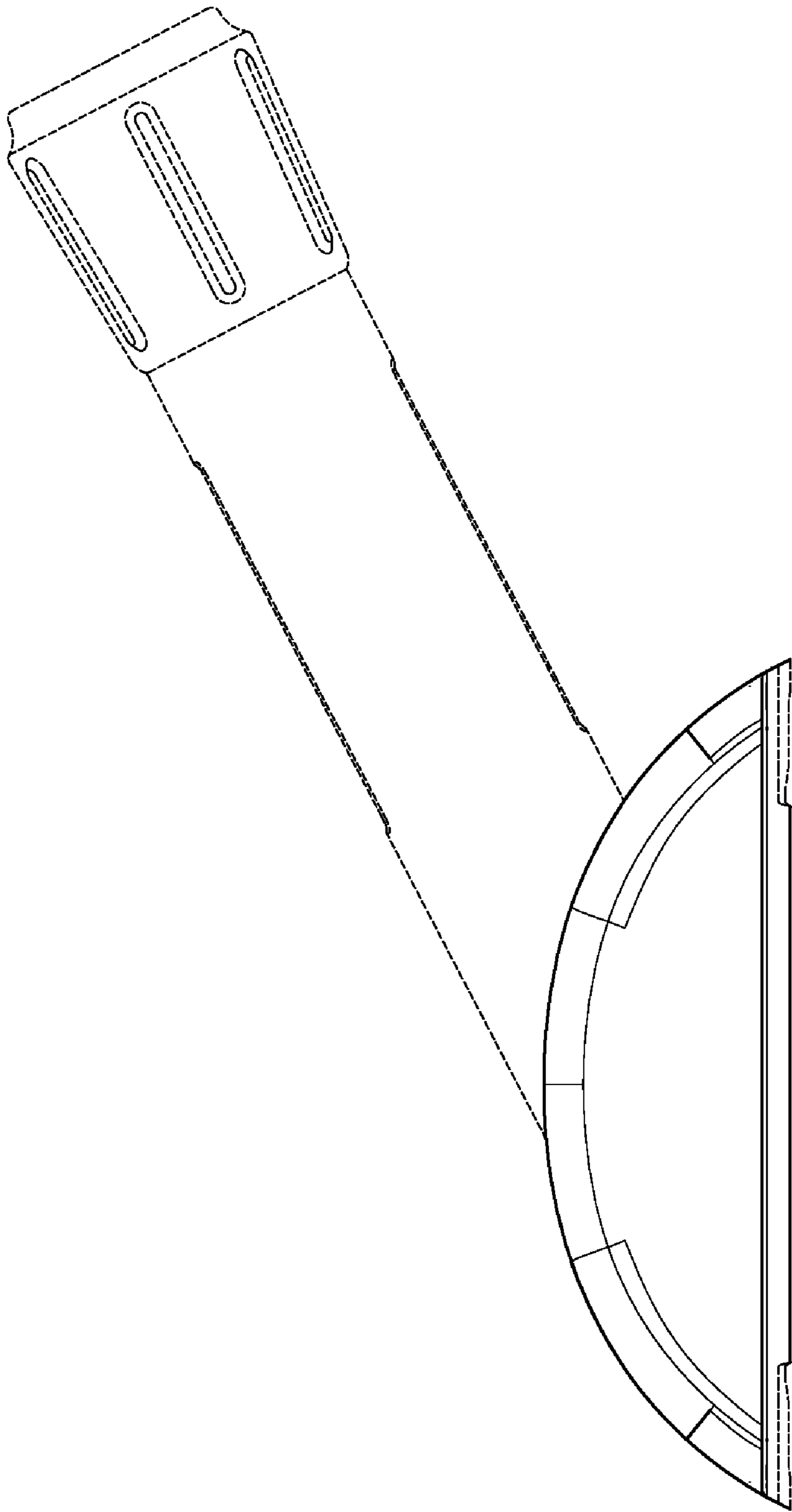


Fig. 12.

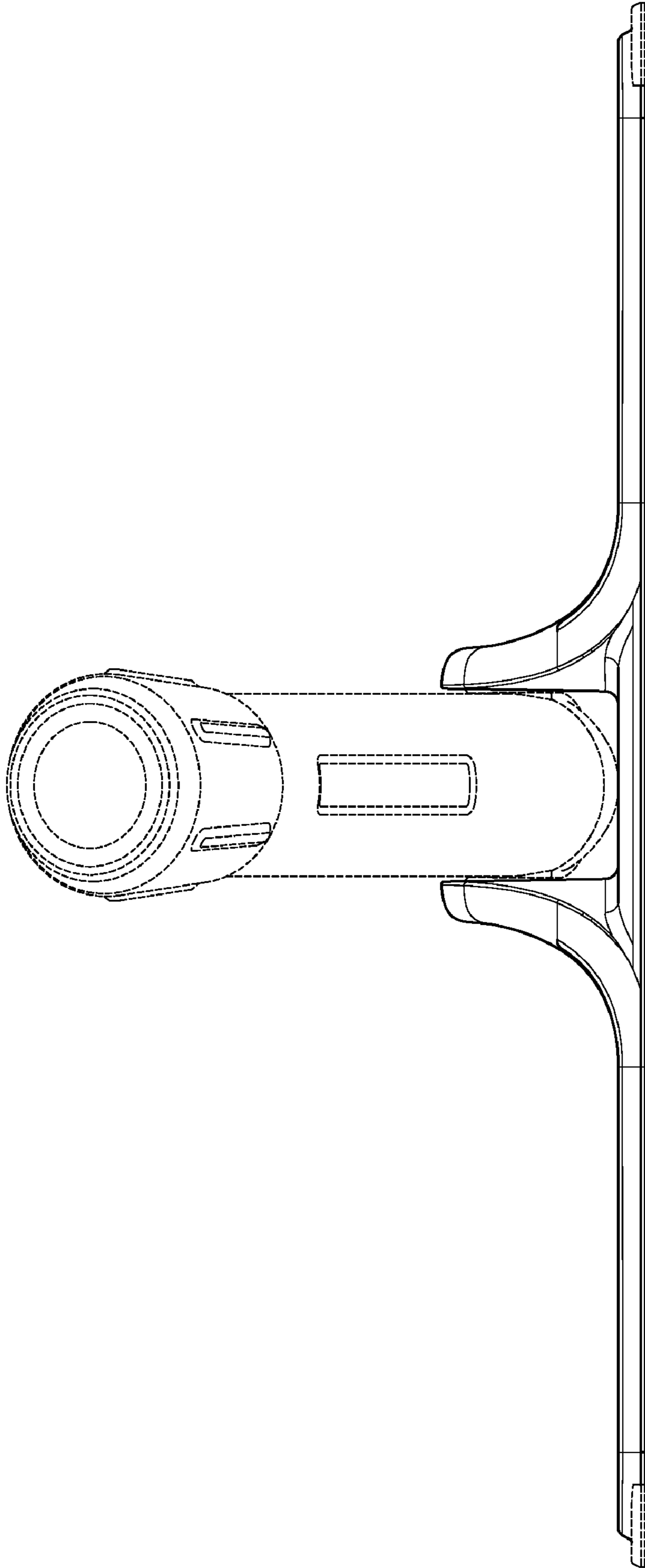
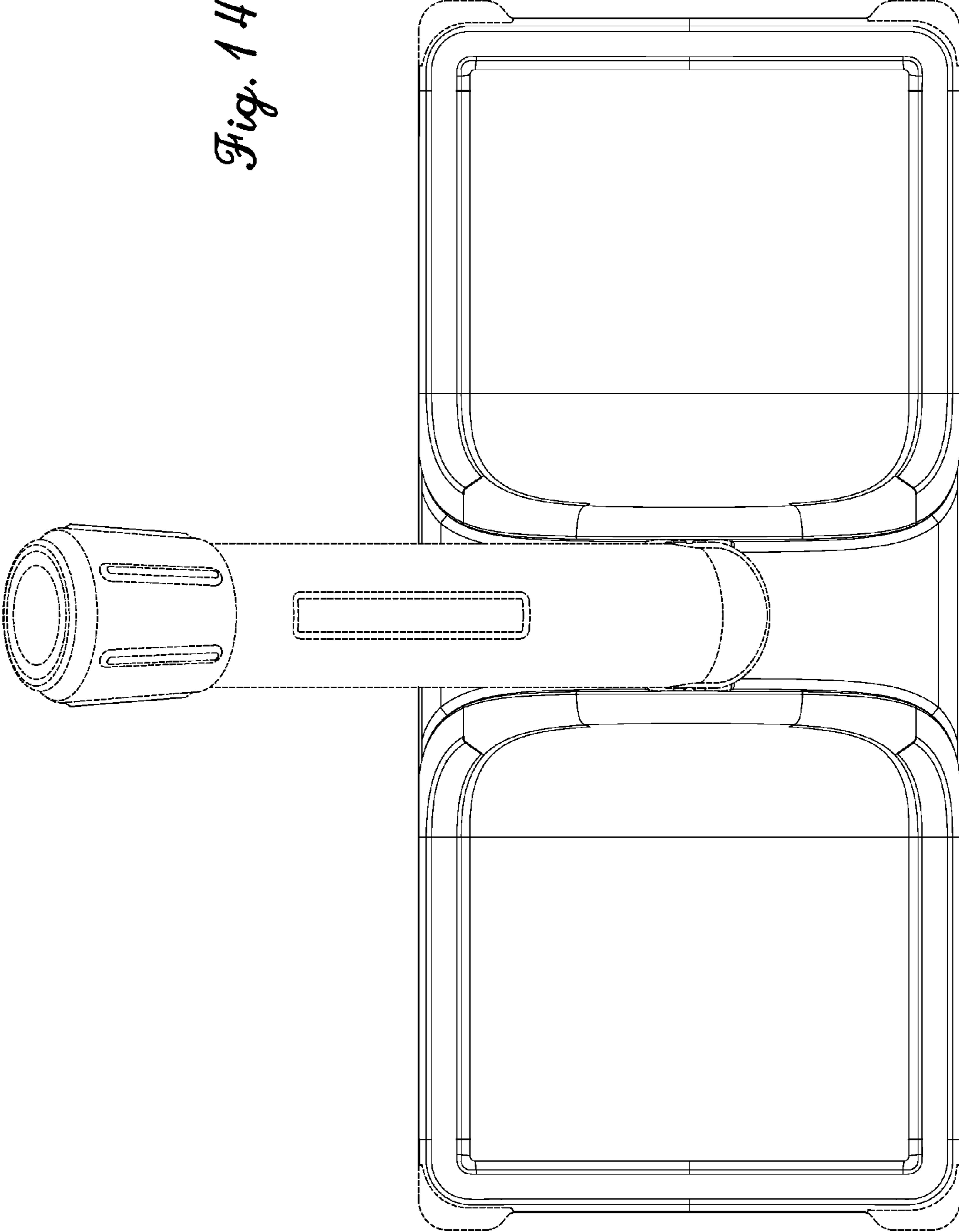


Fig. 13.

Fig. 14.



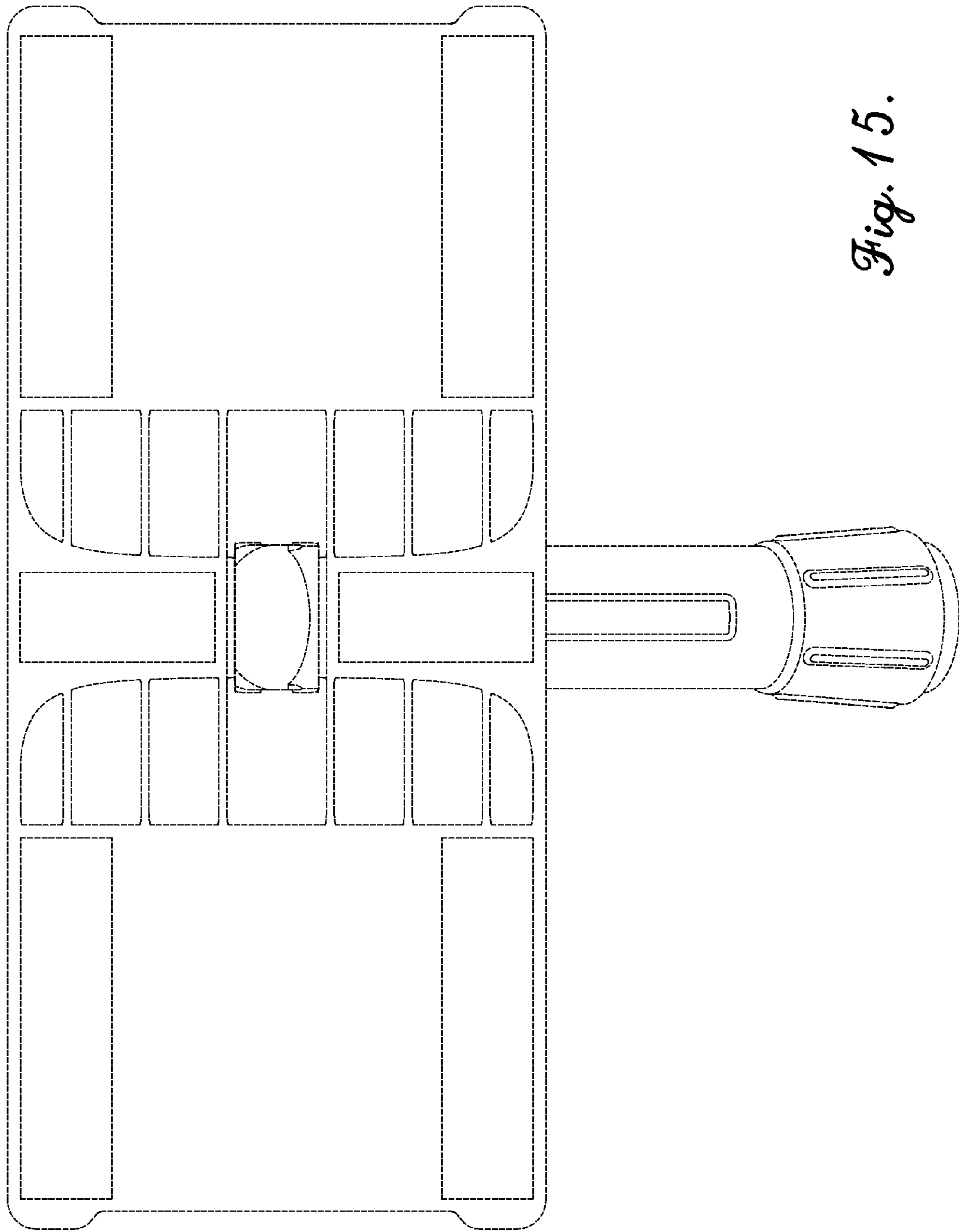


Fig. 15.