



US00D677029S

(12) **United States Design Patent**
Cleary

(10) **Patent No.:** **US D677,029 S**

(45) **Date of Patent:** **** Feb. 26, 2013**

(54) **VACUUM DUSTPAN INLET**

(75) **Inventor:** **Scott Andrew Cleary**, Redcliffe (AU)

(73) **Assignee:** **KitVac International Pty Ltd.**,
Redcliffe, Queensland (AU)

(**) **Term:** **14 Years**

(21) **Appl. No.:** **29/391,486**

(22) **Filed:** **May 9, 2011**

(30) **Foreign Application Priority Data**

Nov. 10, 2010 (AU) 201014846

(51) **LOC (9) Cl.** **15-05**

(52) **U.S. Cl.** **D32/31**

(58) **Field of Classification Search** D32/17-18,
D32/21, 23-24, 31-34; 15/327.1-327.7,
15/320-321, 323, 353, 344, 329, 347, 246.2,
15/246.4, 301, 310, 313, 414, 328, 415.1-422.1;
210/167.16, 167.17; 285/7; 55/DIG. 3, 337,
55/345, 459.1, 429

See application file for complete search history.

(56) **References Cited**

U.S. PATENT DOCUMENTS

D207,773	S	*	5/1967	Matthews	D32/21
D211,826	S	*	7/1968	Hamrick	D32/31
D232,514	S	*	8/1974	Mol	D32/31
5,114,189	A	*	5/1992	Nurmi et al.	285/7
5,504,967	A		4/1996	Graham		
6,108,858	A		8/2000	Smith		

6,292,977	B1	*	9/2001	Mantyla et al.	15/310
D463,634	S	*	9/2002	Mantyla et al.	D32/31
D475,165	S	*	5/2003	Biere et al.	D32/31
D506,298	S	*	6/2005	Schmitt	D32/21
7,328,478	B2	*	2/2008	Jenkins	15/301
D604,828	S	*	11/2009	Krohmer et al.	D32/31
2008/0066252	A1	*	3/2008	Herron	15/246.2
2010/0095475	A1	*	4/2010	Gomes Melico et al.	15/301

FOREIGN PATENT DOCUMENTS

CA	90084	8/2000
CA	92499	5/2001

* cited by examiner

Primary Examiner — Ruth McInroy

(74) *Attorney, Agent, or Firm* — Ostrager Chong Flaherty & Broitman P.C.

(57) **CLAIM**

I claim the ornamental design for a vacuum dustpan inlet, as shown and described.

DESCRIPTION

FIG. 1 is a front, perspective view of a vacuum dustpan inlet showing my new design;

FIG. 2 is a front view thereof;

FIG. 3 is a rear view thereof;

FIG. 4 is a right side view thereof;

FIG. 5 is a left side view thereof;

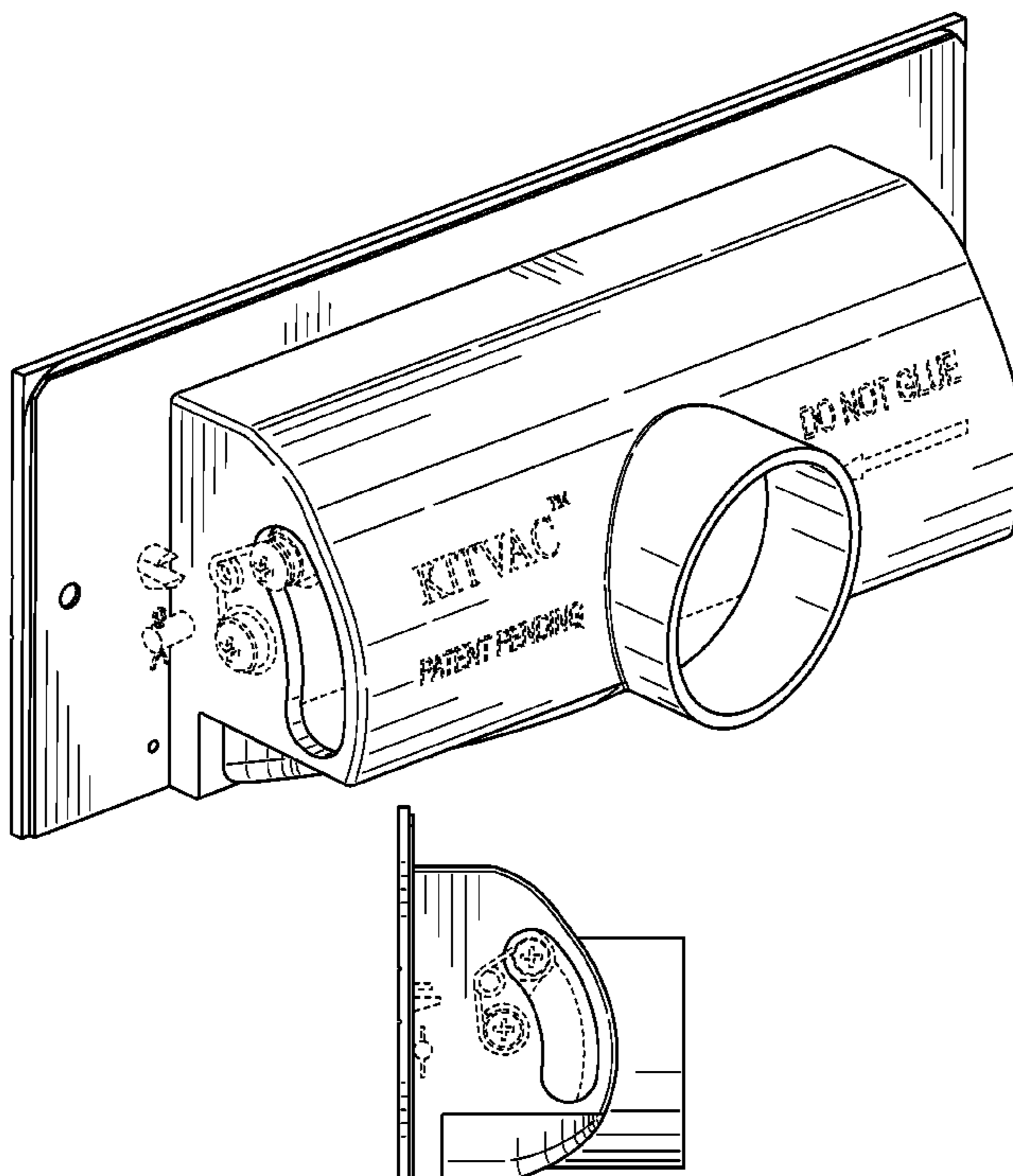
FIG. 6 is a top view thereof;

FIG. 7 is a bottom view thereof; and,

FIG. 8 is a rear perspective view thereof.

The details shown in broken lines form no part of the claimed design.

1 Claim, 4 Drawing Sheets



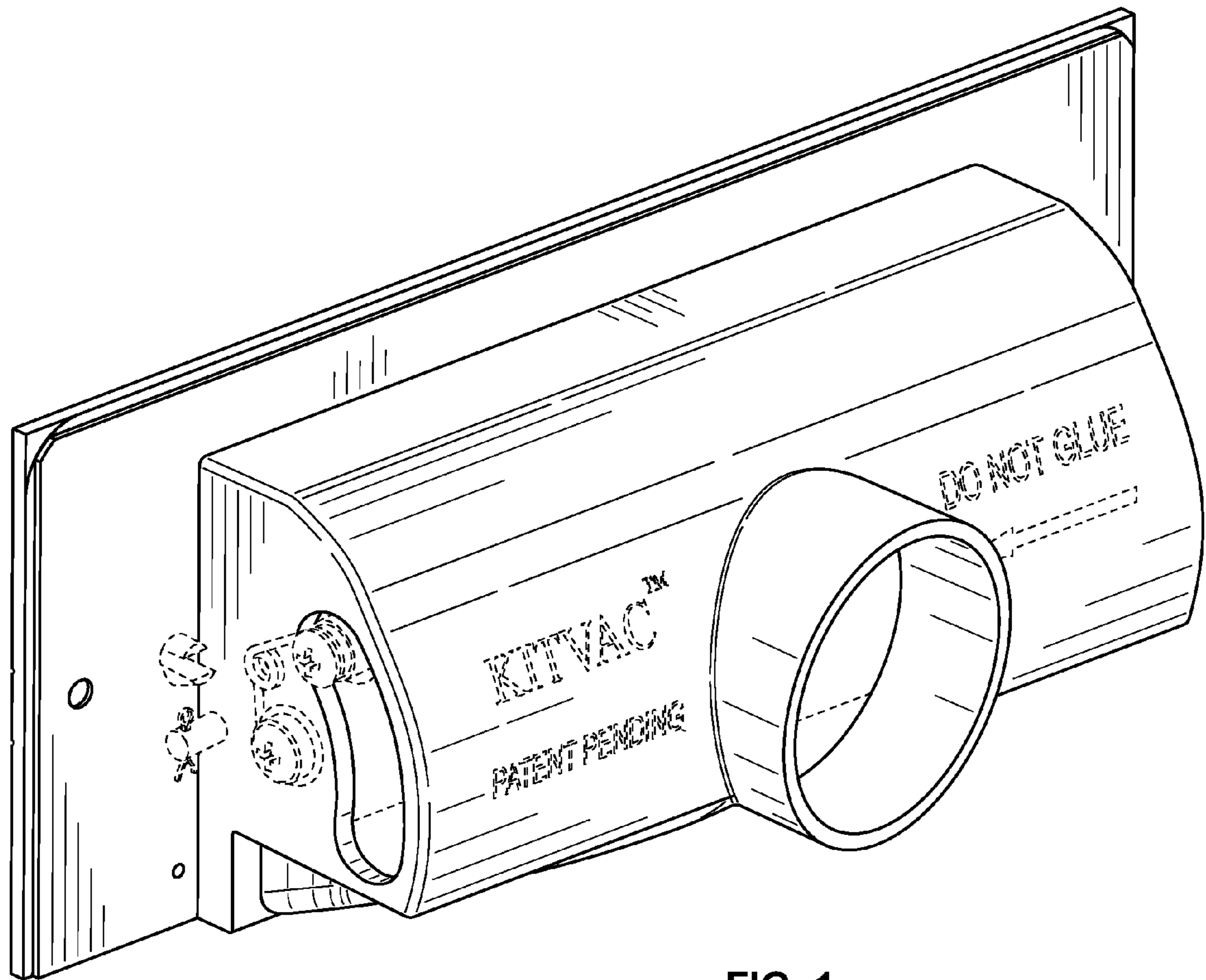


FIG. 1

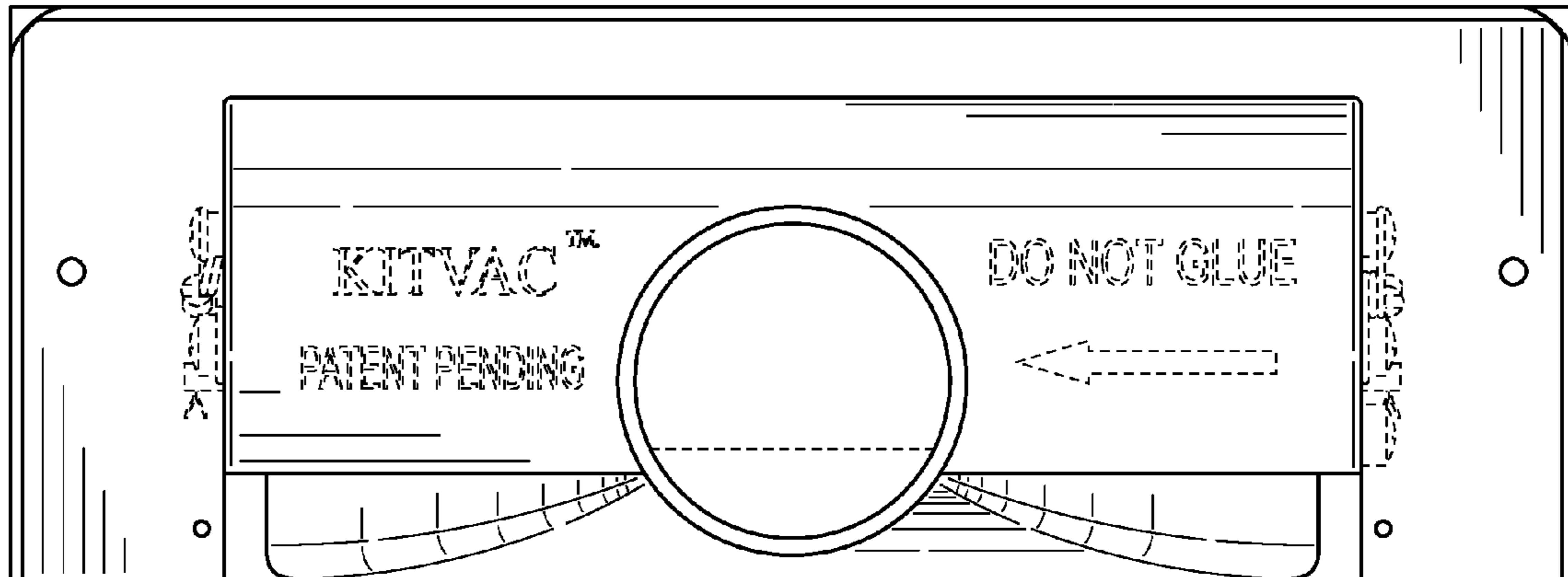


FIG. 2

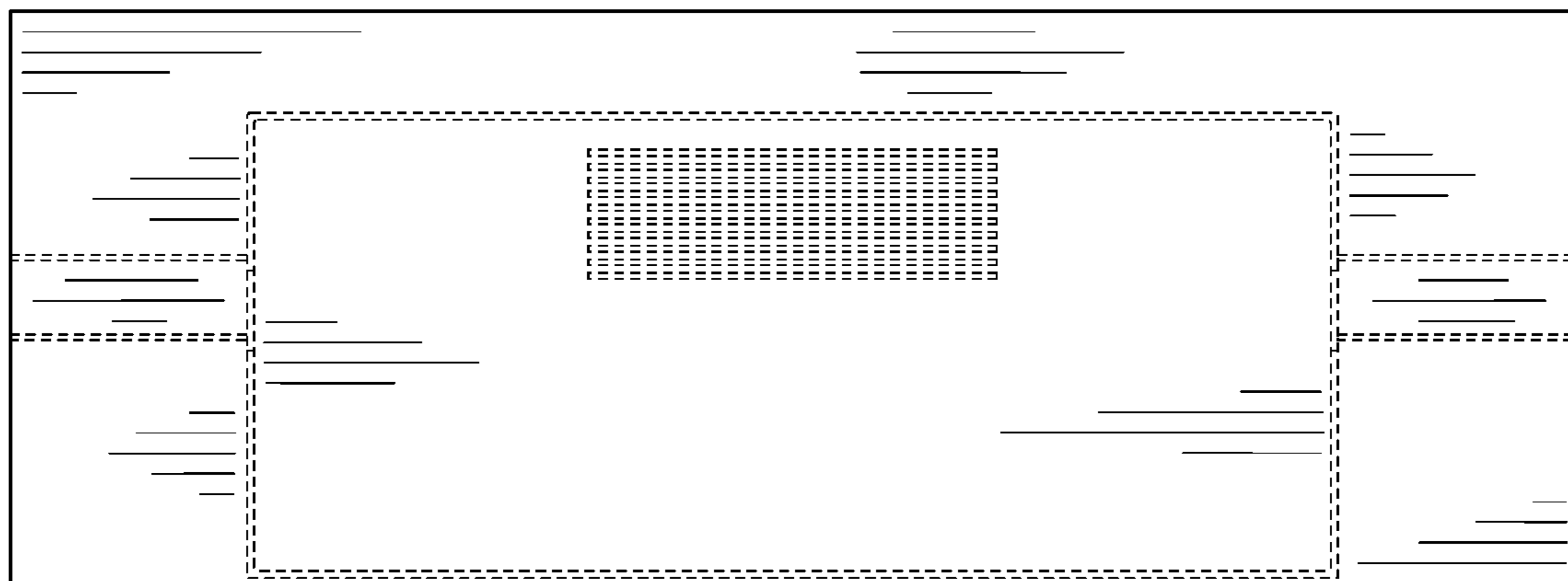


FIG. 3

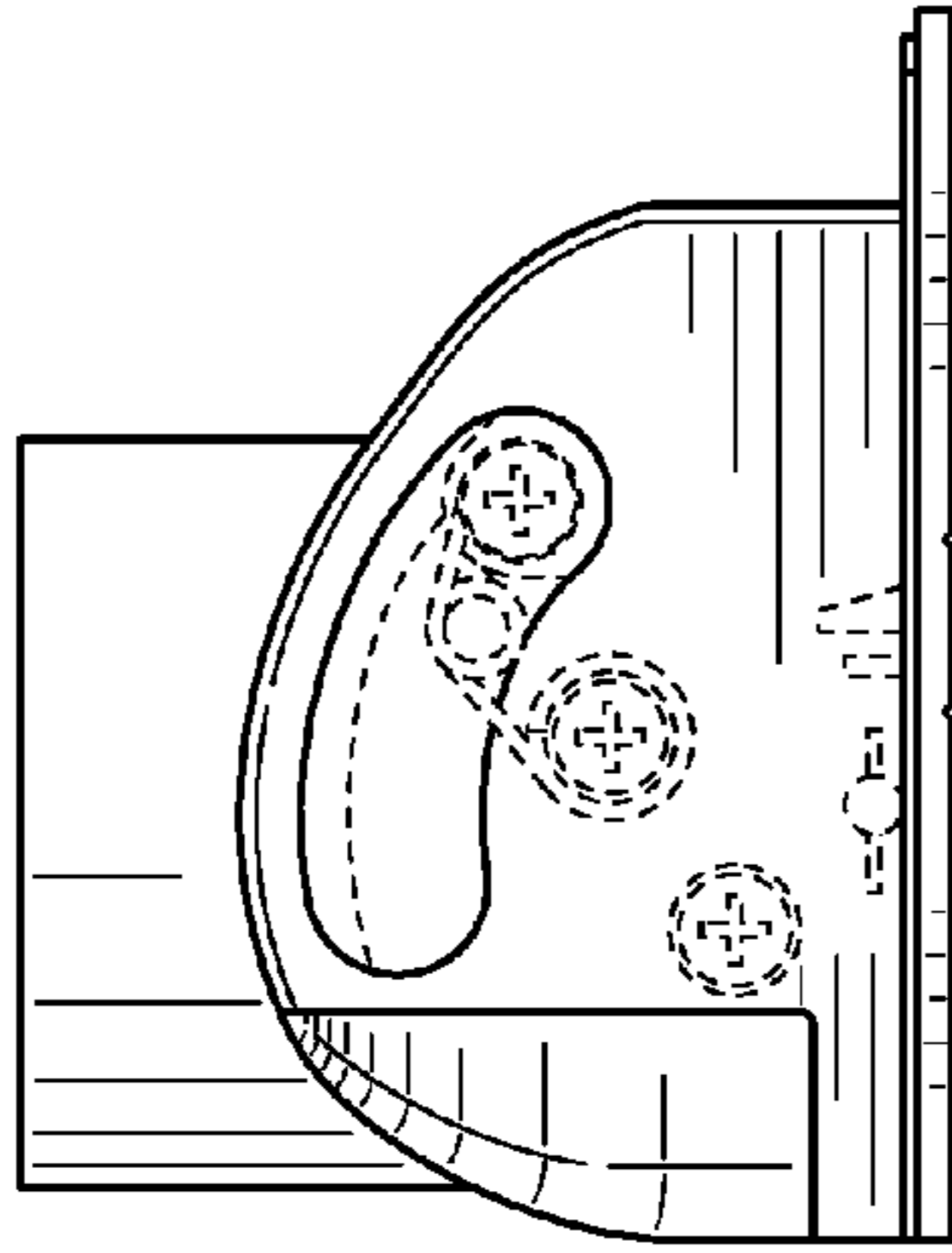


FIG. 4

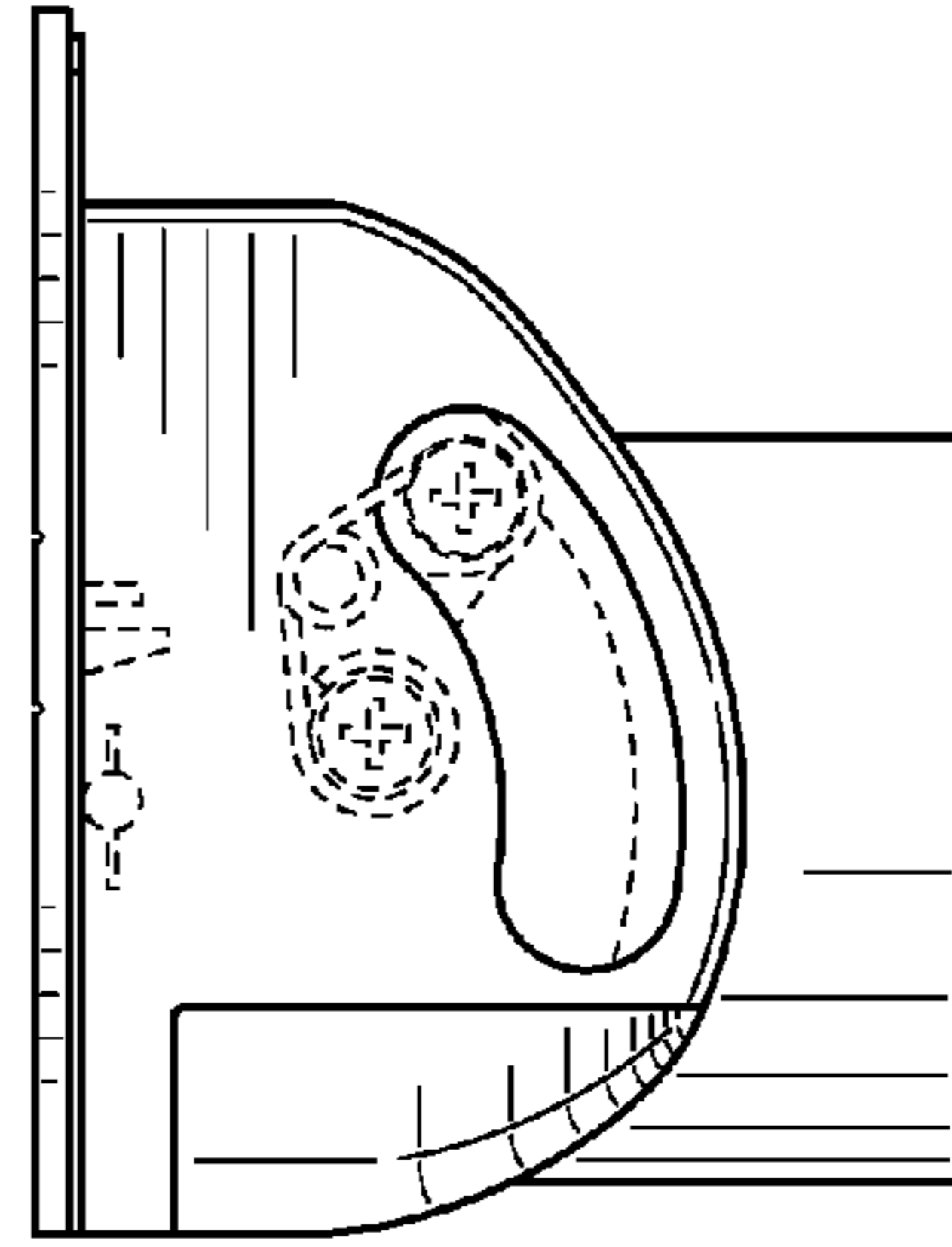


FIG. 5

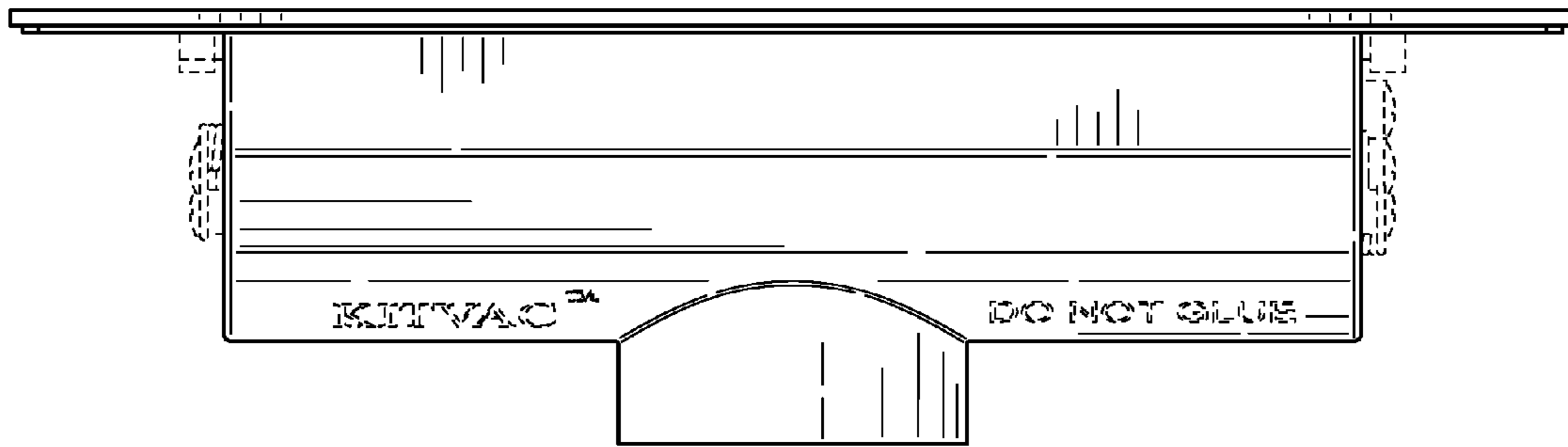


FIG. 6

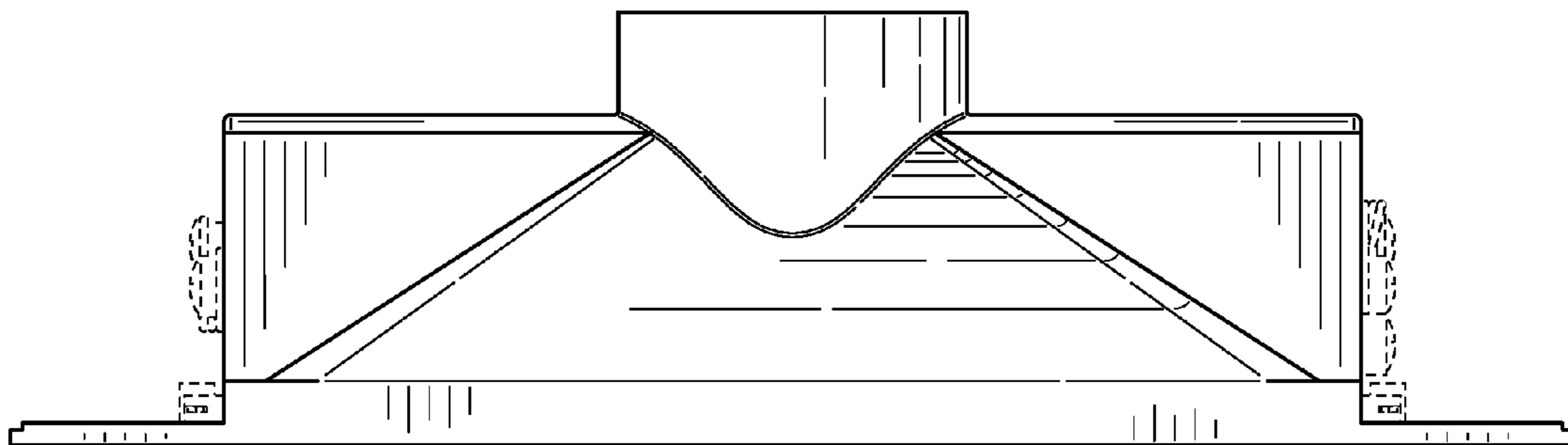


FIG. 7

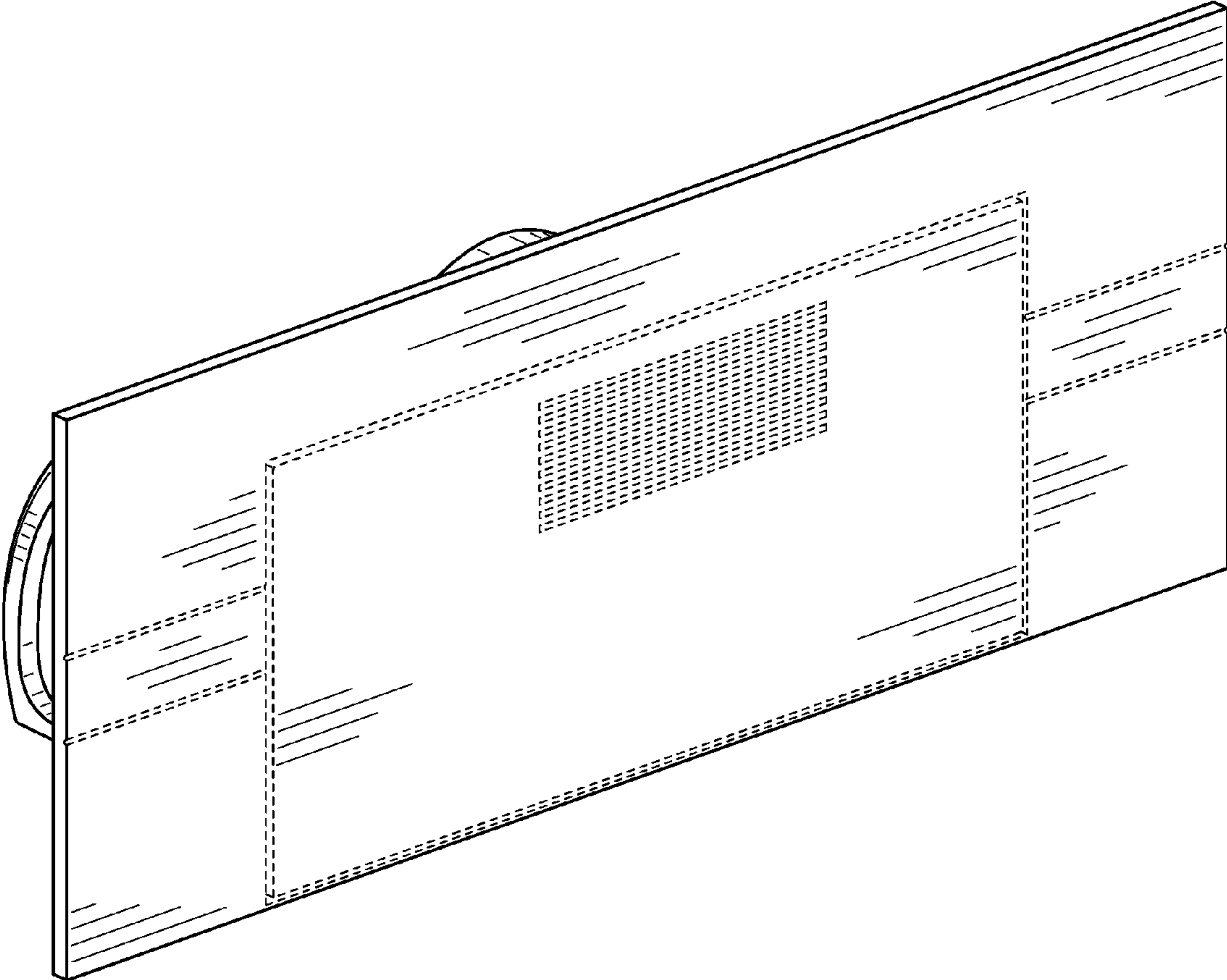


FIG. 8