



US00D677025S

(12) **United States Design Patent**
Borjesson

(10) **Patent No.:** **US D677,025 S**

(45) **Date of Patent:** **** Feb. 26, 2013**

- (54) **DISHWASHER PANEL**
- (75) Inventor: **Per Borjesson**, Porcia (IT)
- (73) Assignee: **Electrolux Home Products Corporation N.V.** (BE)
- (**) Term: **14 Years**
- (21) Appl. No.: **29/409,847**
- (22) Filed: **Dec. 29, 2011**

(30) **Foreign Application Priority Data**

Jun. 29, 2011 (EM) 001884362

- (51) **LOC (9) Cl.** **15-05**
- (52) **U.S. Cl.** **D32/3**
- (58) **Field of Classification Search** D32/1,
D32/2, 3, 25, 28; D7/340, 348, 349, 350,
D7/405; 134/56 D, 57 D, 58 D, 58 DL, 201;
312/31, 109, 228

See application file for complete search history.

(56) **References Cited**

U.S. PATENT DOCUMENTS

- D179,403 S * 12/1956 Wilson D7/406
- D196,982 S * 11/1963 Doman D32/3
- D218,116 S * 7/1970 Crispell D32/2
- D380,883 S * 7/1997 Katz et al. D32/25
- D385,071 S 10/1997 Hughes et al.
- D418,952 S * 1/2000 Roberts D32/3
- 6,138,693 A * 10/2000 Matz 134/57 D
- D441,149 S 4/2001 Bournay, Jr. et al.
- D441,150 S 4/2001 Bournay, Jr. et al.
- D493,583 S * 7/2004 Kaczmarek D32/3
- D495,104 S * 8/2004 Kaczmarek D32/3
- D511,031 S * 10/2005 Ott et al. D32/3

- D530,048 S 10/2006 Knochner
- D530,460 S 10/2006 Knochner
- D533,691 S 12/2006 Knochner
- D539,994 S 4/2007 Pezzetta et al.
- D580,460 S 11/2008 Crookshanks
- D618,404 S 6/2010 Jenkins et al.
- D622,914 S 8/2010 Crookshanks et al.
- D622,915 S 8/2010 Crookshanks et al.
- D625,475 S * 10/2010 Kim et al. D32/3
- D627,938 S * 11/2010 Kim D32/2
- D630,804 S * 1/2011 Ott D32/3
- D630,805 S * 1/2011 Ott D32/3
- D630,806 S * 1/2011 Kaczmarek D32/3
- D633,664 S 3/2011 Jenkins et al.
- D635,312 S * 3/2011 Kaczmarek D32/3
- D640,429 S * 6/2011 Grobleben et al. D32/3
- D640,843 S 6/2011 Benold
- D640,844 S 6/2011 Benold
- D653,821 S * 2/2012 Grobleben et al. D32/3

* cited by examiner

Primary Examiner — T. Chase Nelson

Assistant Examiner — Kathleen M Sims

(74) *Attorney, Agent, or Firm* — Banner & Witcoff, Ltd.

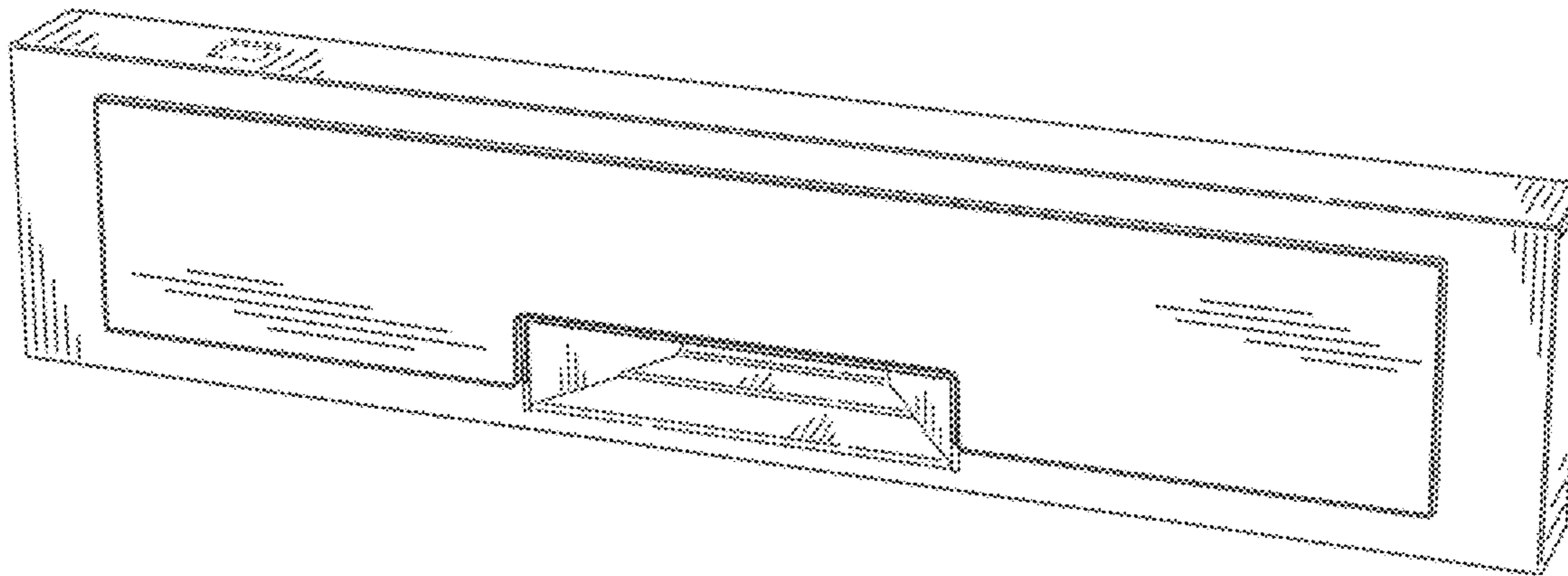
(57) **CLAIM**

The ornamental design for a dishwasher panel, as shown and described.

DESCRIPTION

FIG. 1 is a perspective view of a dishwasher panel showing my new design; and, FIG. 2 is a front view thereof. The broken line showings of the top surface rectangle and region therein in FIG. 1 and interior handle details in FIG. 2 are for environmental purposes only and form no part of the claimed design.

1 Claim, 2 Drawing Sheets



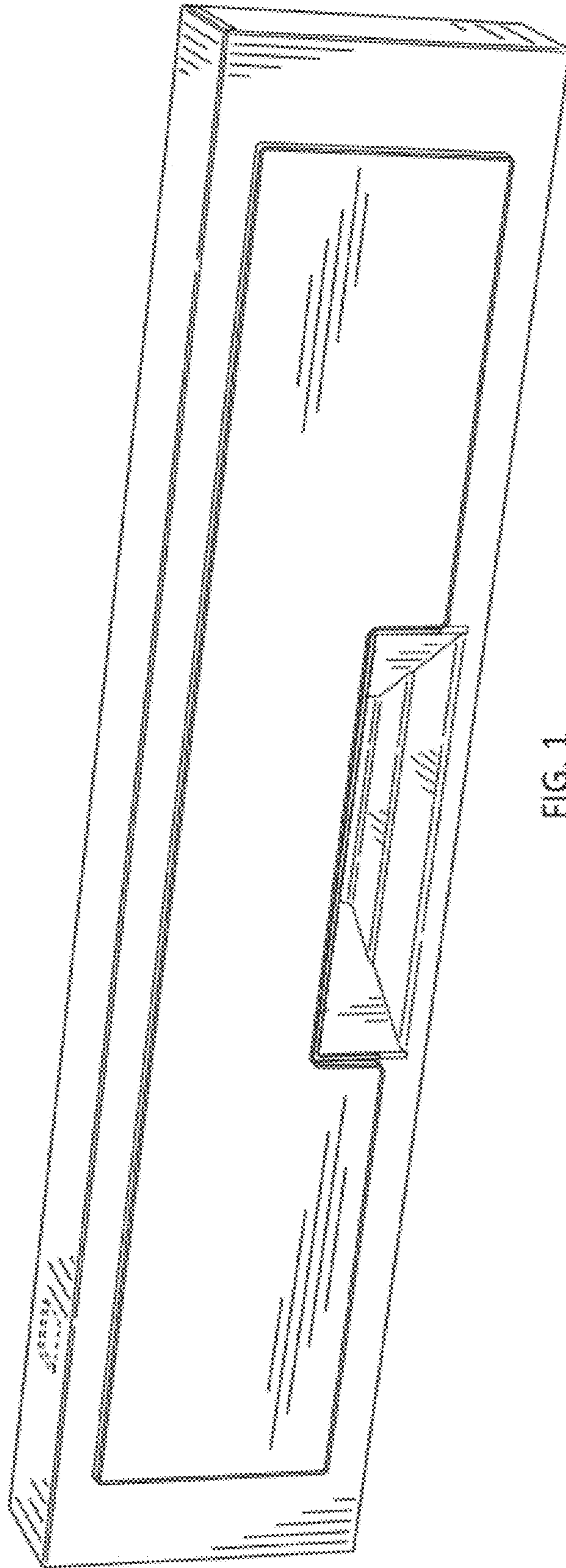


FIG. 1

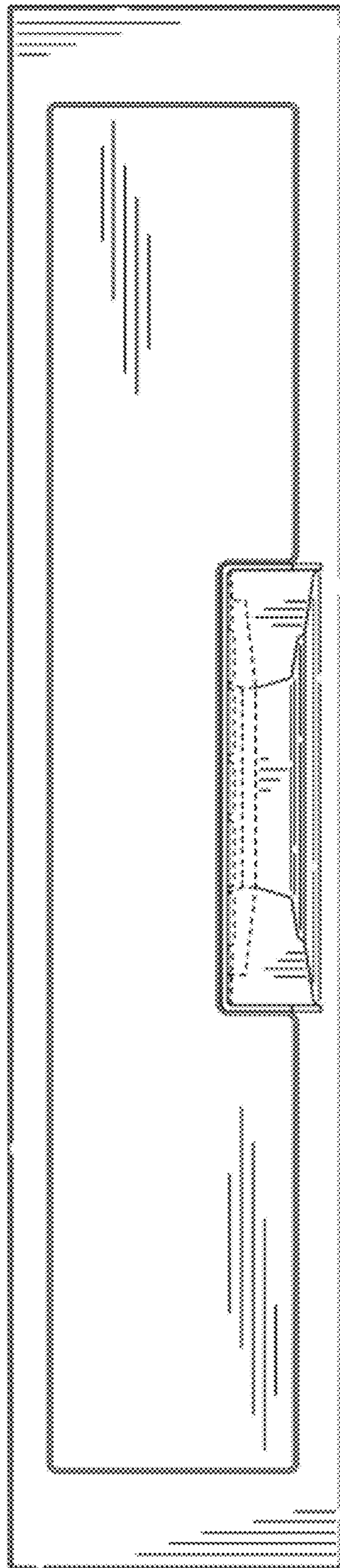


FIG. 2