



US00D677024S

(12) **United States Design Patent**
Borjesson

(10) **Patent No.:** **US D677,024 S**

(45) **Date of Patent:** **** Feb. 26, 2013**

(54) **DISHWASHER PANEL**

(75) **Inventor:** **Per Borjesson, Porcia (IT)**

(73) **Assignee:** **Electrolux Home Products Corporation N.V. (BE)**

(**) **Term:** **14 Years**

(21) **Appl. No.:** **29/409,846**

(22) **Filed:** **Dec. 29, 2011**

(30) **Foreign Application Priority Data**

Jun. 29, 2011 (EM) 001884362

(51) **LOC (9) Cl.** **15-05**

(52) **U.S. Cl.** **D32/3**

(58) **Field of Classification Search** D32/1,
D32/2, 3, 25, 28; D7/340, 348, 349, 350,
D7/405; 134/56 D, 57 D, 58 D, 58 DL, 201;
312/31, 109, 228

See application file for complete search history.

(56) **References Cited**

U.S. PATENT DOCUMENTS

D179,403 S *	12/1956	Wilson	D7/406
D196,982 S *	11/1963	Doman	D32/3
D218,116 S *	7/1970	Crispell et al.	D32/2
D380,883 S *	7/1997	Katz et al.	D32/25
D385,071 S	10/1997	Hughes et al.		
D418,952 S *	1/2000	Roberts	D32/3
6,138,693 A *	10/2000	Matz	134/57 D
D438,677 S *	3/2001	Roberts	D32/3

D441,149 S	4/2001	Bournay, Jr. et al.		
D441,150 S	4/2001	Bournay, Jr. et al.		
D530,048 S	10/2006	Knochner		
D530,460 S	10/2006	Knochner		
D533,691 S	12/2006	Knochner		
D539,994 S	4/2007	Pezzetta et al.		
D561,414 S *	2/2008	Cline et al.	D32/28
D580,460 S	11/2008	Crookshanks		
D618,404 S	6/2010	Jenkins et al.		
D622,914 S	8/2010	Crookshanks et al.		
D622,915 S	8/2010	Crookshanks et al.		
D633,664 S	3/2011	Jenkins et al.		
D640,843 S	6/2011	Benold		
D640,844 S	6/2011	Benold		
D642,751 S *	8/2011	Jenkins et al.	D32/3
D645,621 S *	9/2011	Jenkins et al.	D32/3

* cited by examiner

Primary Examiner — T. Chase Nelson

Assistant Examiner — Kathleen M Sims

(74) *Attorney, Agent, or Firm* — Banner & Witcoff, Ltd.

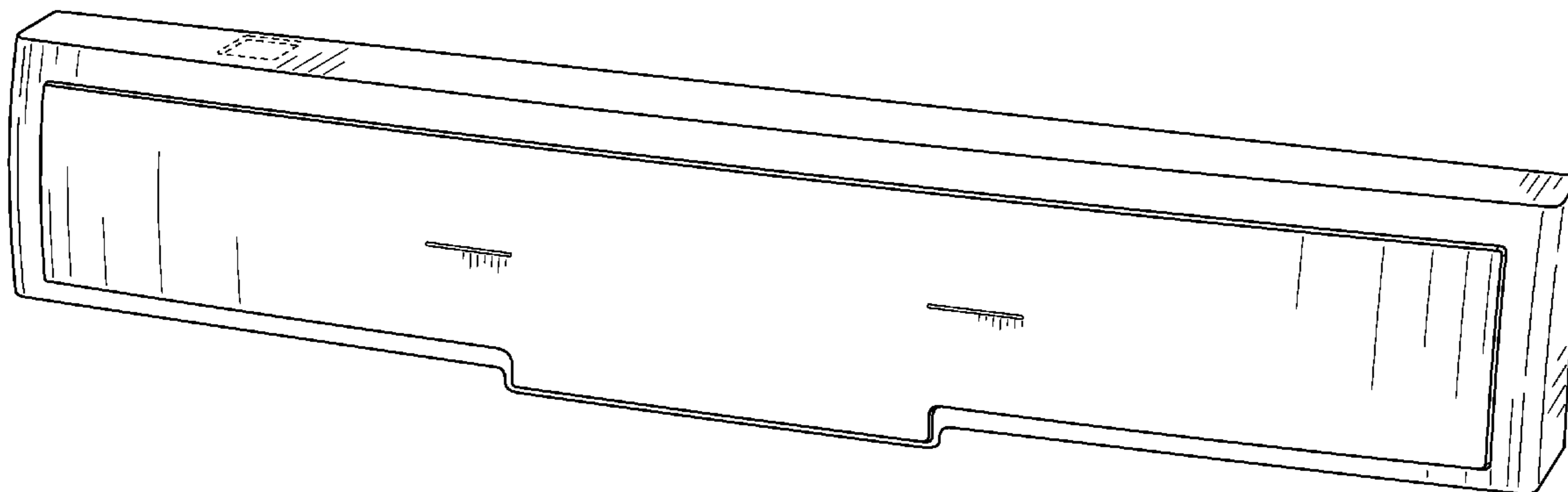
(57) **CLAIM**

The ornamental design for a dishwasher panel, as shown and described.

DESCRIPTION

FIG. 1 is a perspective view of a dishwasher panel showing my new design; and, FIG. 2 is a front view thereof. The broken line showing of the rectangle on the top surface and the region therein is for environmental purposes only and forms no part of the claimed design.

1 Claim, 2 Drawing Sheets



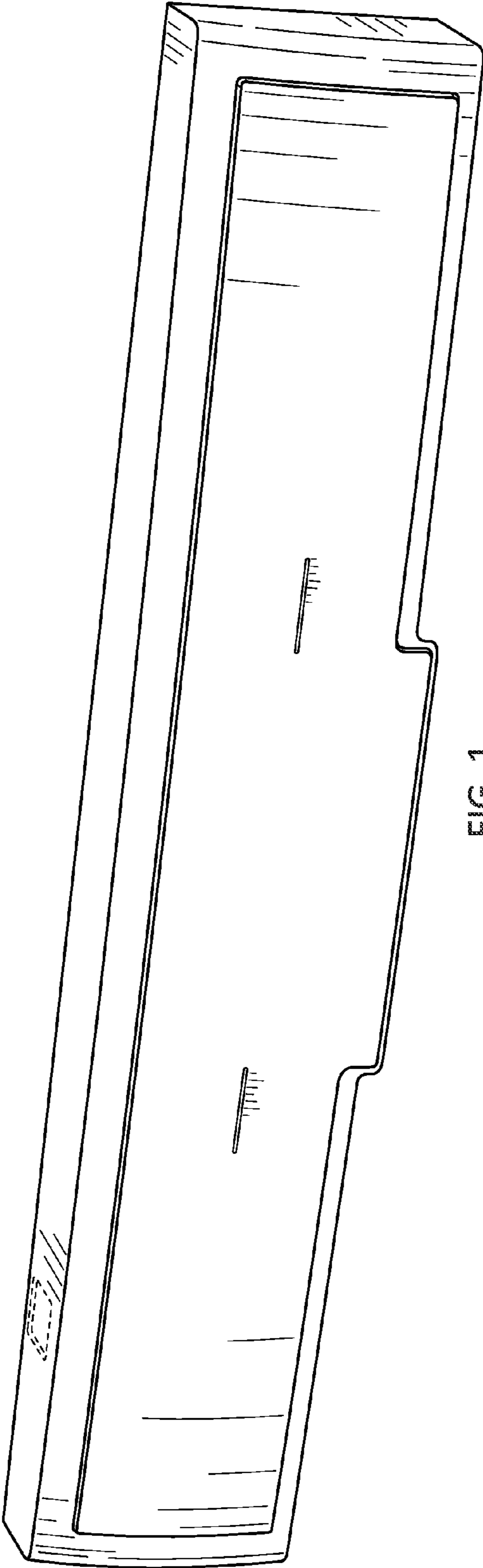


FIG. 1

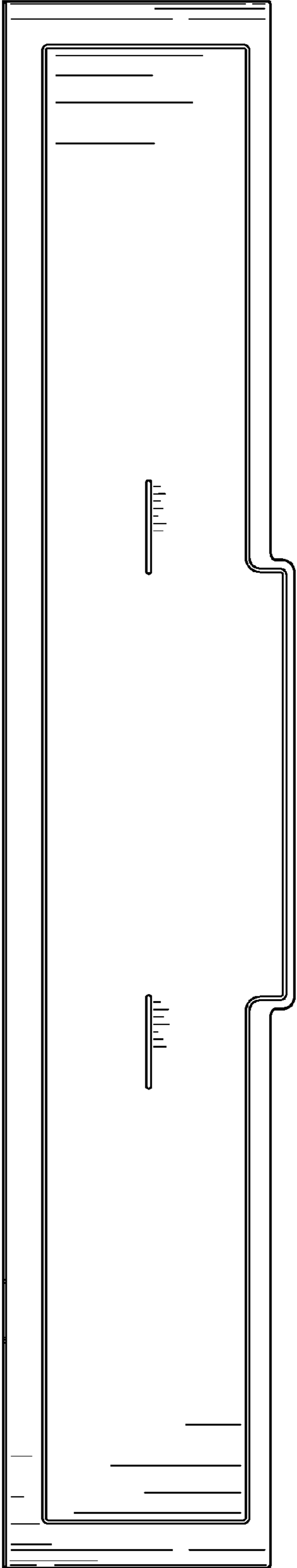


FIG. 2